

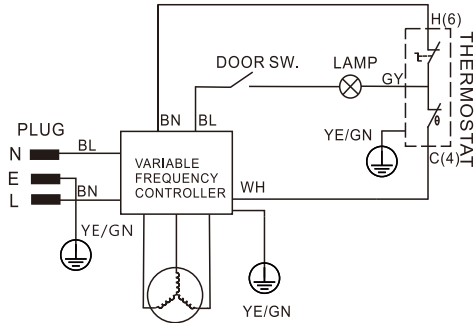
145

**Respekta®**

WEEE.Reg-Nr.De91889217

**Art.-Nr.: 1412000001516****MODELL: GKE144-16**

IMP: YYYYYMDD



CLIMATIC CATEGORY	N,ST
PROTECTIVE CLASSIFICATION OF ELECTRIC SHOCK RESISTANCE	I
RATED VOLTAGE	220-240V~
RATED FREQUENCY	50Hz
RATED CURRENT	0.75A
TOTAL INPUT POWER	100W
LAMP POWER	1.5W
REFRIGERANT	R600a(44g)
FREEZING CAPACITY	2.4kg/24h
TEMPRETURE RISE TIME	18h
FREEZER COMPARTMENT VOLUME	36L
FRESH FOOD COMPARTMENT VOLUME	169L
TOTAL NET CAPACITY	205L
THE INSULATION BLOWING GAS	CYCLOPENTANE
Serial number: RHO-YYYYMMDDV1001	

NEG-Novex Großhandelsgesellschaft für  
Elektro- und Haustechnik GmbH  
Chenover Straße 5, 67117 Limburgerhof, Deutschland  
[www.respekta.de](http://www.respekta.de)



90