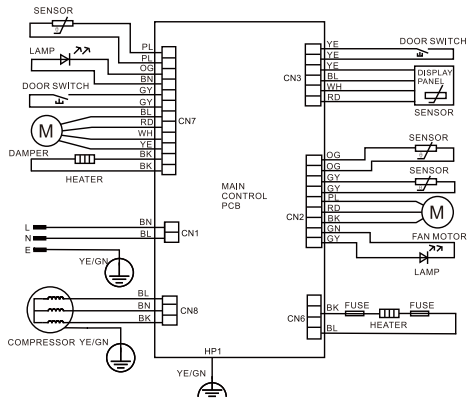


# RESPEKTA®

WEEE.Reg-Nr.De91889217

**Art.-Nr.: 1412000001716**  
**MODELL: AC178BSWS-16**

IMP: YYYYMMDD



NEG-Novex Großhandelsgesellschaft für  
 Elektro- und Haustechnik GmbH  
 Chenover Straße 5, 67117 Limburgerhof, Deutschland  
[www.respekta.de](http://www.respekta.de)



CLIMATIC CATEGORY	SN,N,ST,T
PROTECTIVE CLASSIFICATION OF ELECTRIC SHOCK RESISTANCE	I
RATED VOLTAGE	220-240V~
RATED FREQUENCY	50Hz
RATED CURRENT	1.5A
TOTAL INPUT POWER	150W
DEFROST POWER	240W
LAMP POWER	2W*2
REFRIGERANT	R600a(75g)
FREEZING CAPACITY	11.2kg/24h
TEMPRETURE RISE TIME	9.5h
FROZEN COMPARTMENT VOLUME	3L
FREEZER COMPARTMENT VOLUME	148L
FRESH FOOD COMPARTMENT VOLUME	288L
THE INSULATION BLOWING GAS	439L
TOTAL NET CAPACITY	CYCLOPENTANE
Serial number: RHO-YYYYMMDDV1001	