

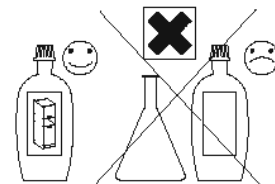
2h

SAFADO / MARLEEN

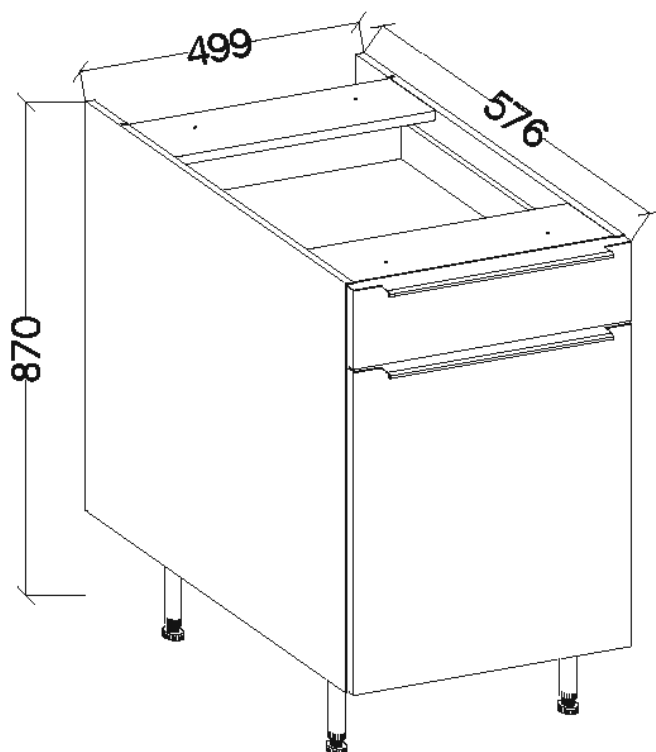
84-170-...






84-176-...





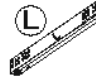

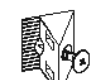
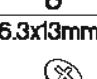


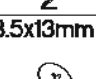
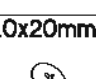
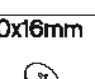
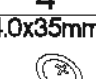
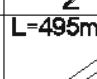
84-17A-...



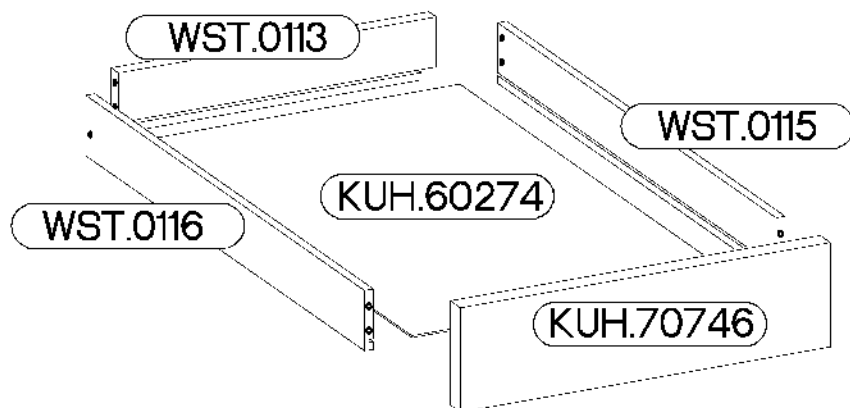
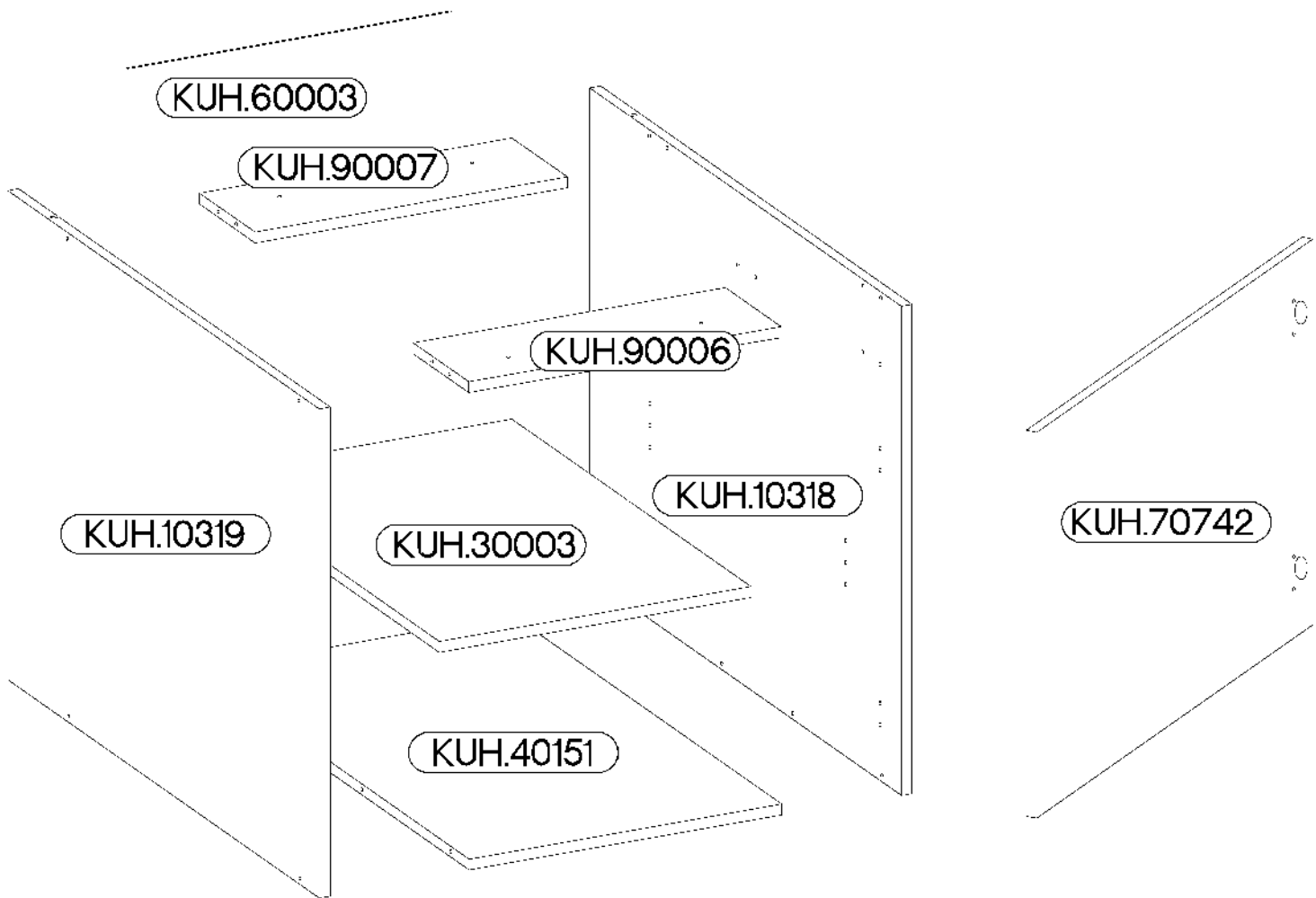
**respekta®**



|  |  |  |   |   |
|--|--|--|---|---|
| <br>+8x30mm<br>A | <br>6,4 x 50mm<br>B | <br>+6x42mm<br>B2 | <br>+12/10mm<br>C5 | <br>L=20mm<br>D2 |
| 12   | 8  | 2  | 2   | 2   |

|   |  |  |  |  |   |  |   |
|---|--|--|--|--|---|--|---|
| <br>E1              | <br>F15 | <br>F16 | <br>+35/0mm<br>HG   | <br>L=450mm<br>I1   | <br>+5/16mm<br>J3    | <br>L              |   |
| 8   | 4  | 6  | 2  | 1  | 4   | 2  |   |
| <br>+6.3x13mm<br>M2 | <br>O   | <br>O1  | <br>+3.5x13mm<br>P5 | <br>+3.0x20mm<br>P7 | <br>+3.0x16mm<br>P11 | <br>+4.0x35mm<br>R3 | <br>L=495mm<br>SL50 |
| 8   | 1  | 1  | 32   | 8-10   | 6   | 4  | 2   |

**ISM-KUH-01600**


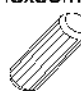



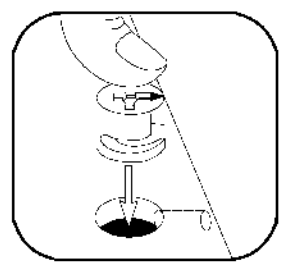
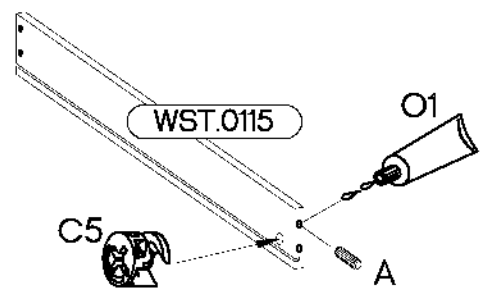
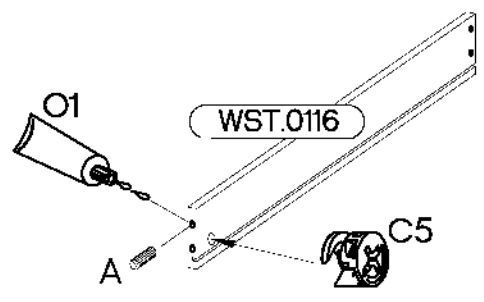
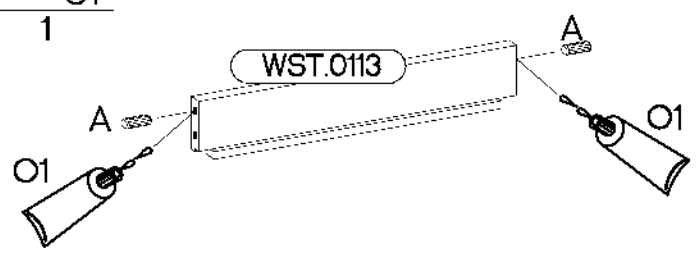
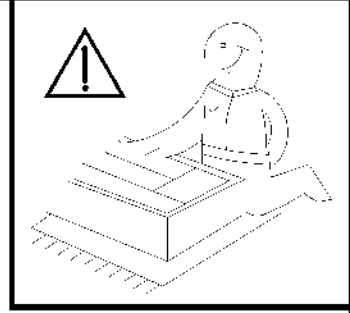
| Colli        | Spare Part | Dimension   |
|--------------|------------|-------------|
| Colli<br>1/6 | KUH.10318  | 720x560x16  |
|              | KUH.10319  | 720x560x16  |
|              | KUH.30003  | 466x430x16  |
|              | KUH.40151  | 467x485x16  |
|              | KUH.60003  | 713x485x2,5 |
|              | KUH.60274  | 448x437x2,5 |
|              | KUH.70742  | 568x496x16  |
|              | KUH.70746  | 138x496x16  |
|              | KUH.90006  | 467x100x16  |
|              | KUH.90007  | 467x100x16  |
|              | WST.0113   | 427x80x12   |
|              | WST.0115   | 450x80x12   |
|              | WST.0116   | 450x80x12   |



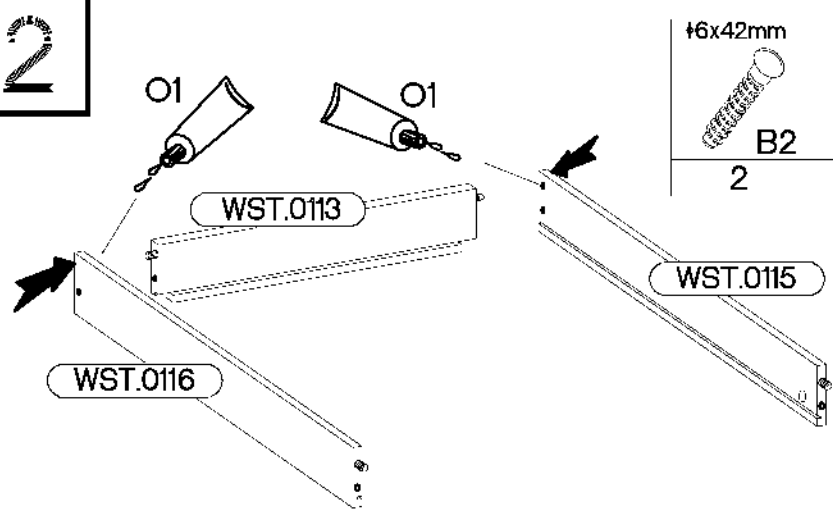
KUH.30003



KUH.40151

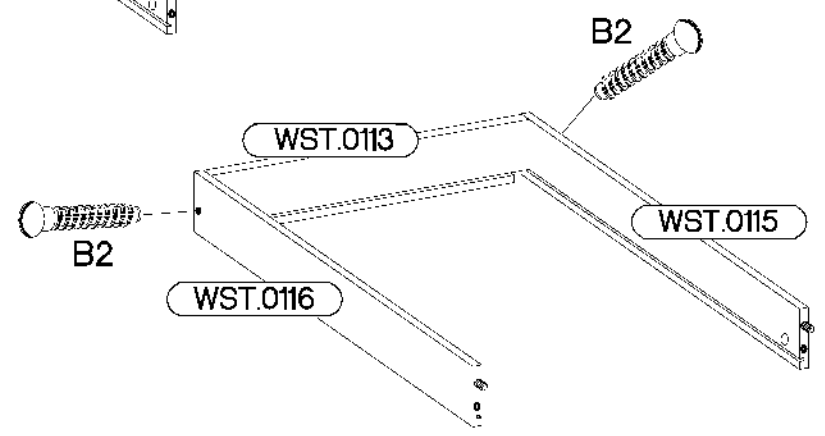
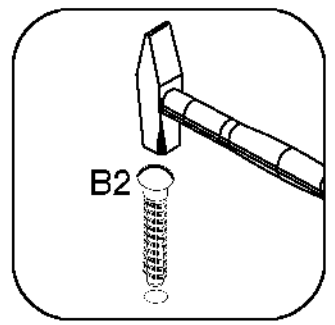
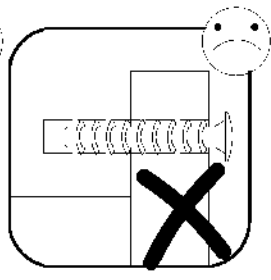
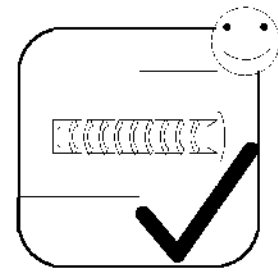
|   |   |   |
|---|---|---|
| #12/10mm<br><br>C5<br>2 | #8x30mm<br><br>A<br>4 | <br>O1<br>1 |
|---|---|---|




2

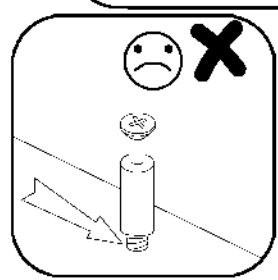
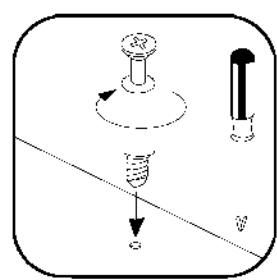
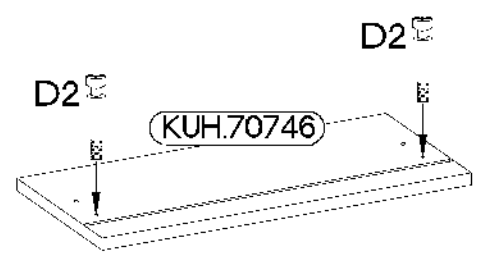


|   |  |
|---|--|
| #6x42mm<br><br>B2<br>2 | <br>O1<br>1 |
|---|--|

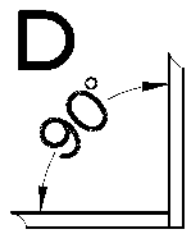
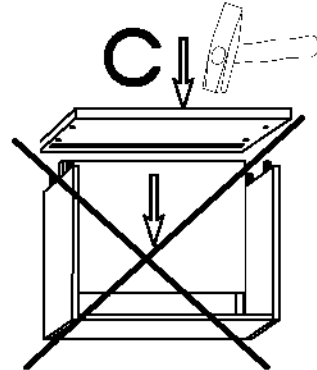
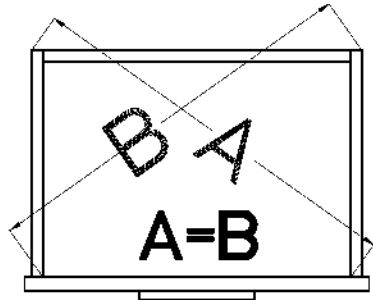
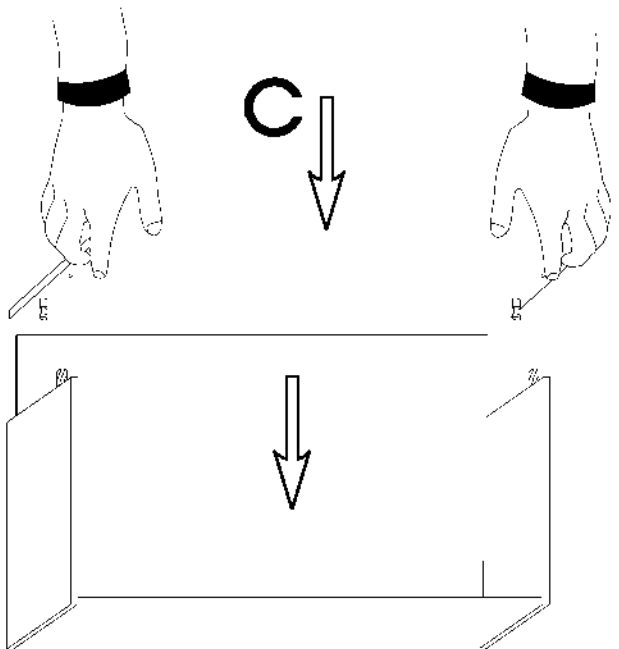
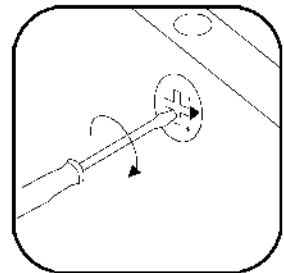
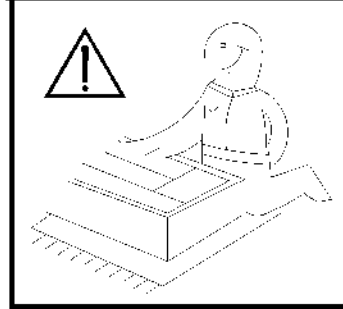
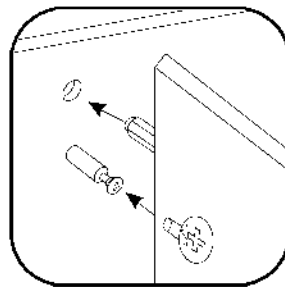
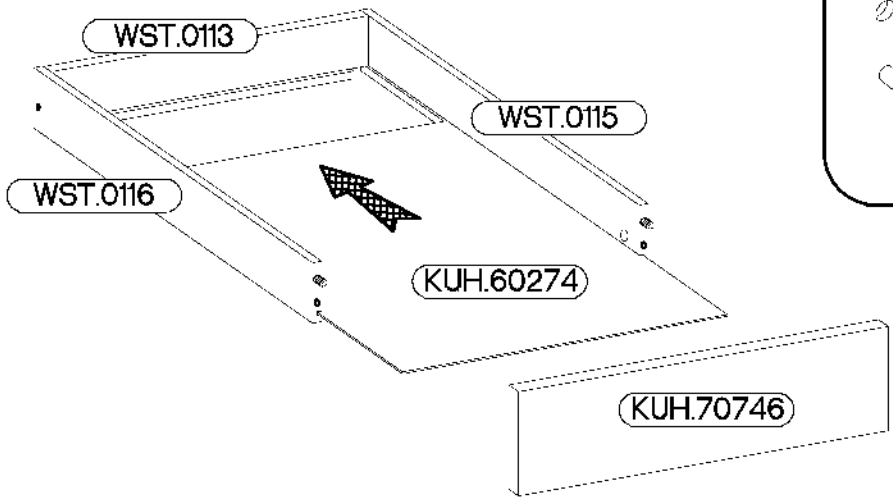


3

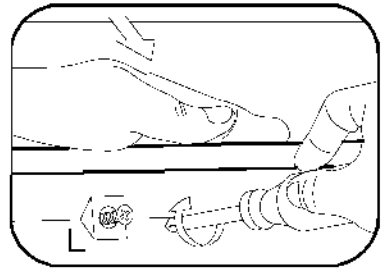
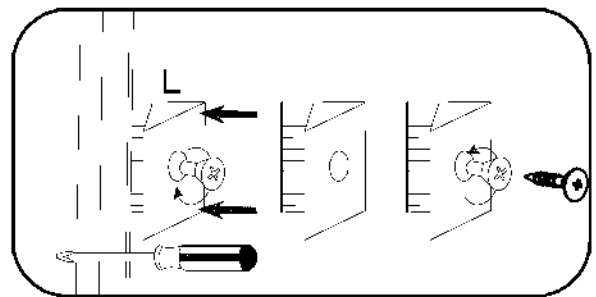
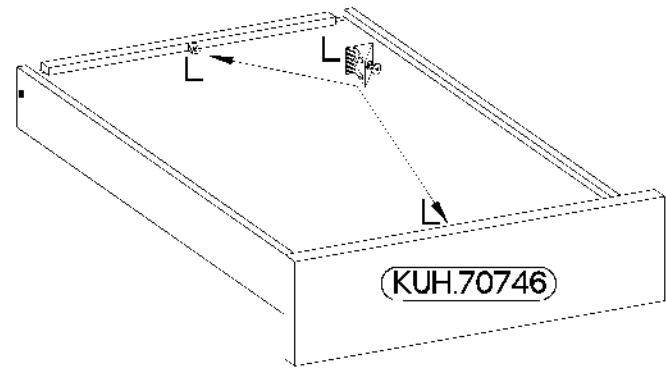
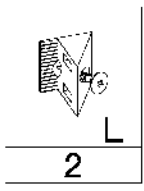
|  |
|--|
| L=20mm<br><br>D2<br>2 |
|--|



4

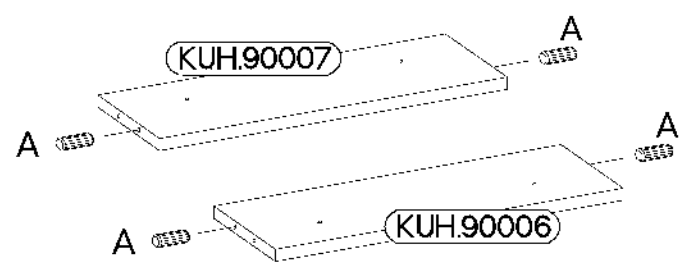
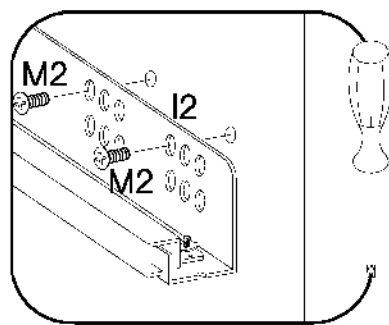
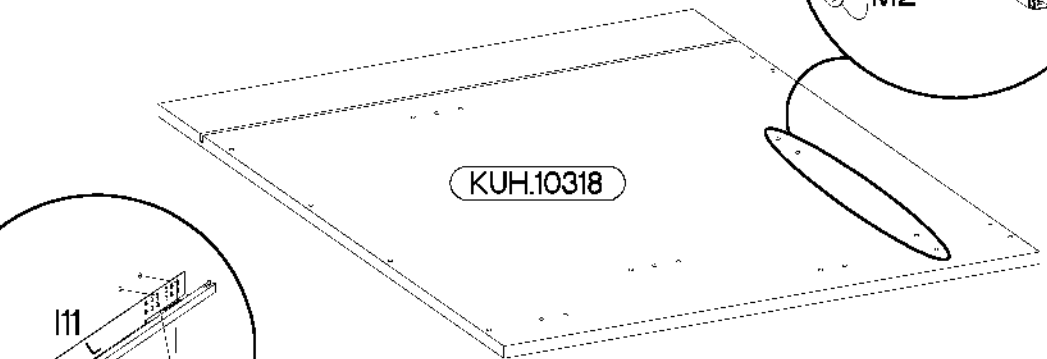
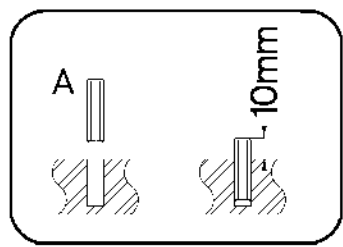
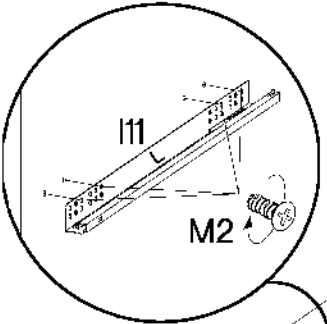
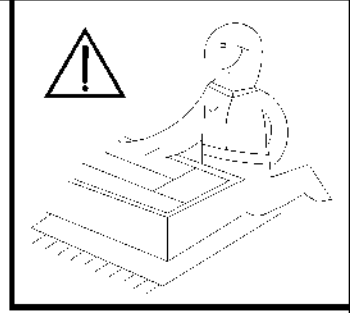
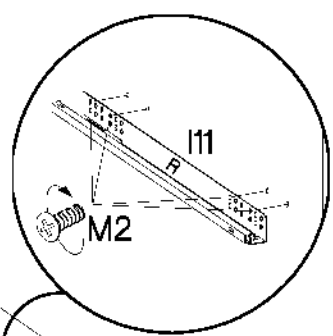


5



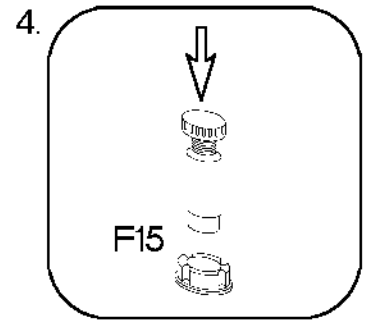
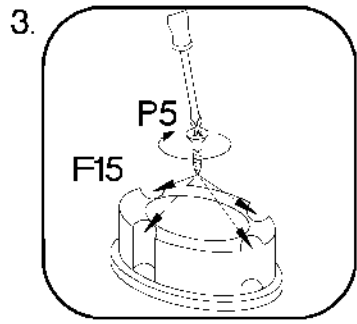
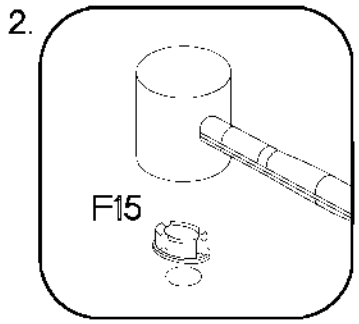
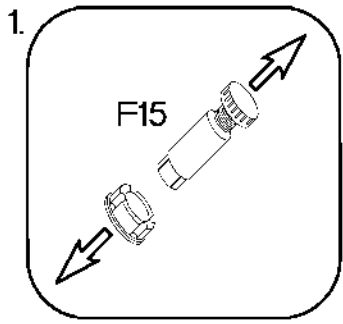
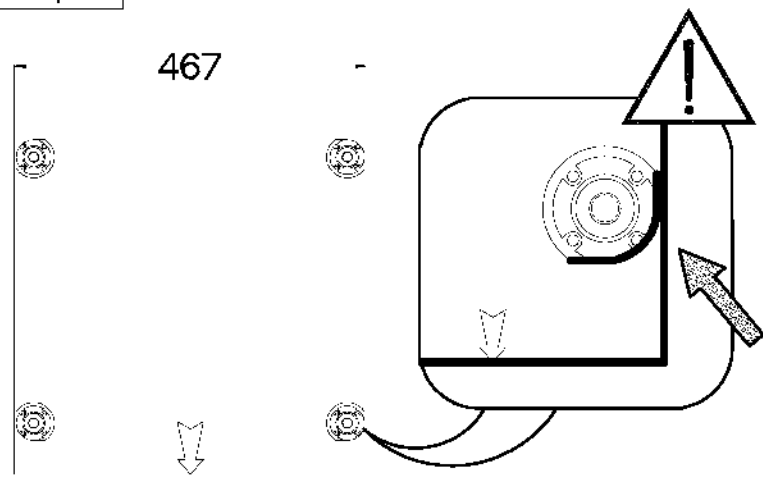
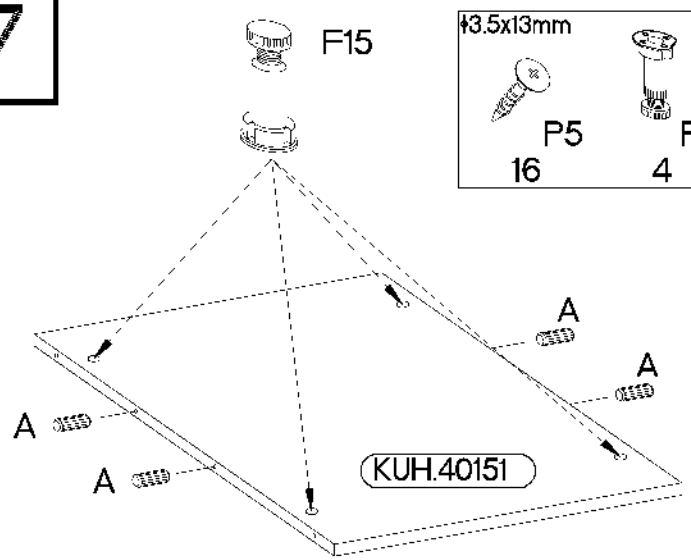
6

- 4  $\varnothing 8 \times 30 \text{mm}$
- 1 L=450mm (L, R)
- 8  $\varnothing 6.3 \times 13 \text{mm}$  M2



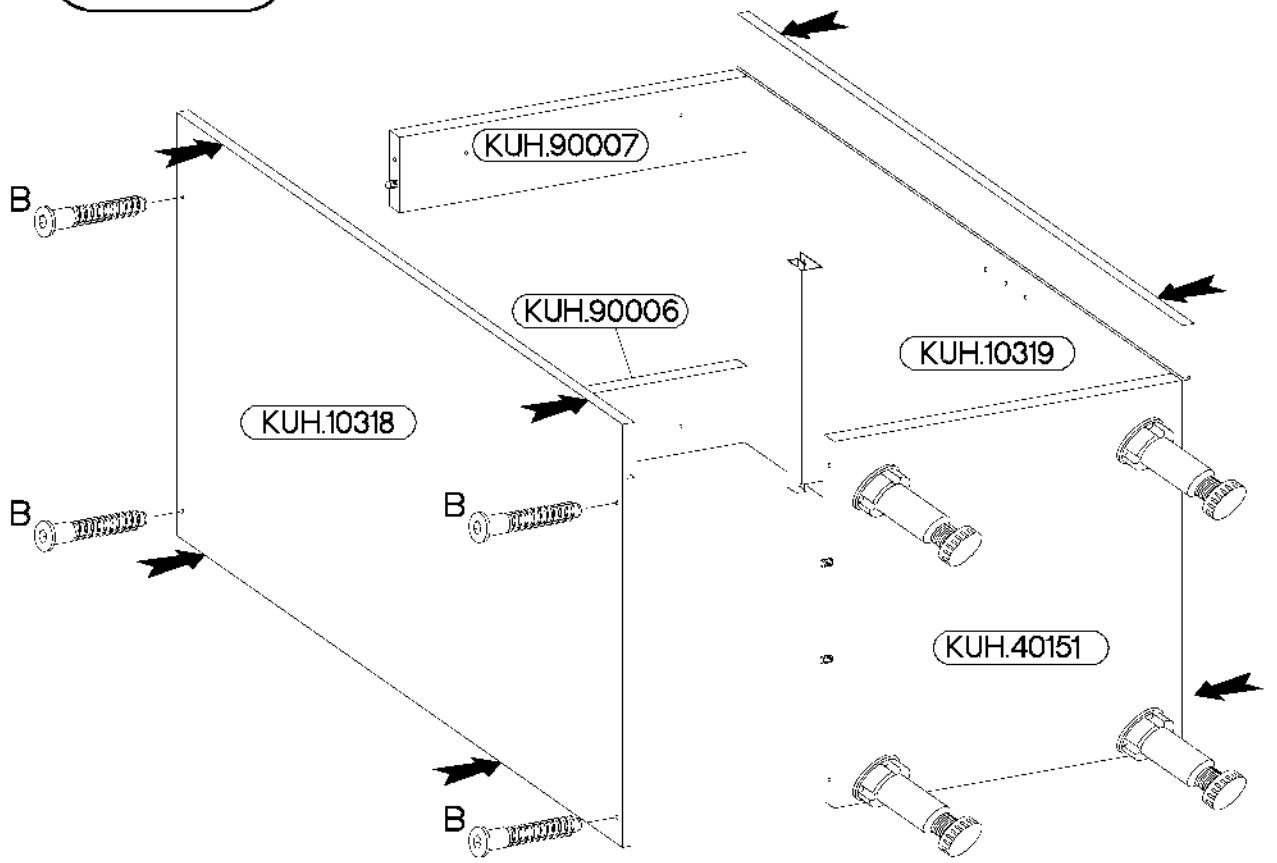
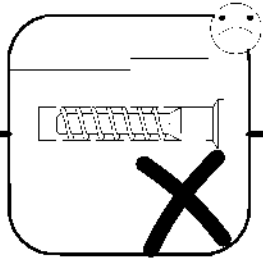
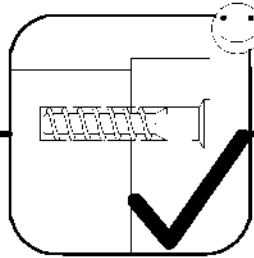
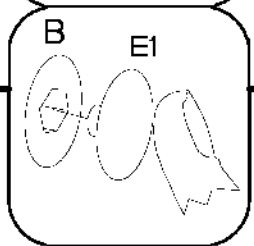
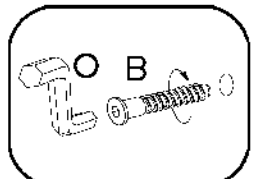
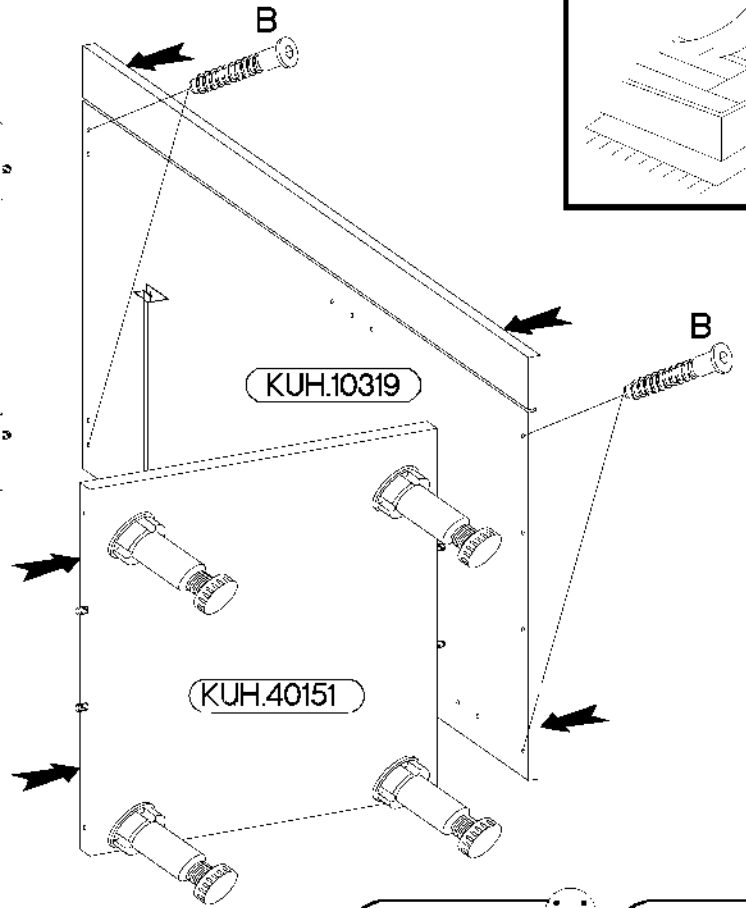
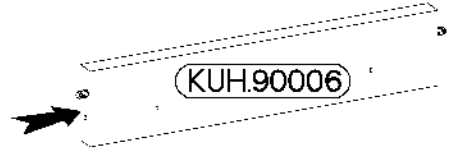
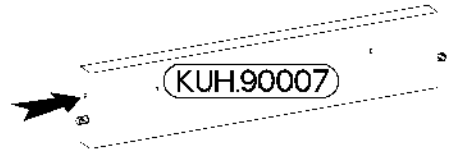
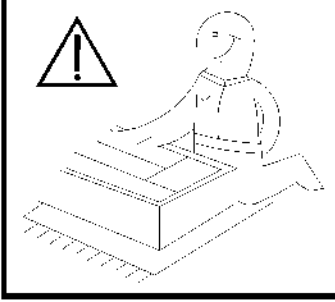
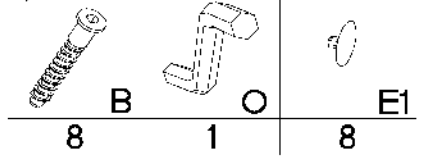
7

- 16  $\varnothing 3.5 \times 13 \text{mm}$  P5
- 4 F15
- 4  $\varnothing 8 \times 30 \text{mm}$  A





6,4 x 50mm

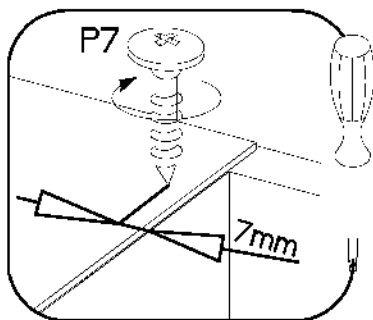
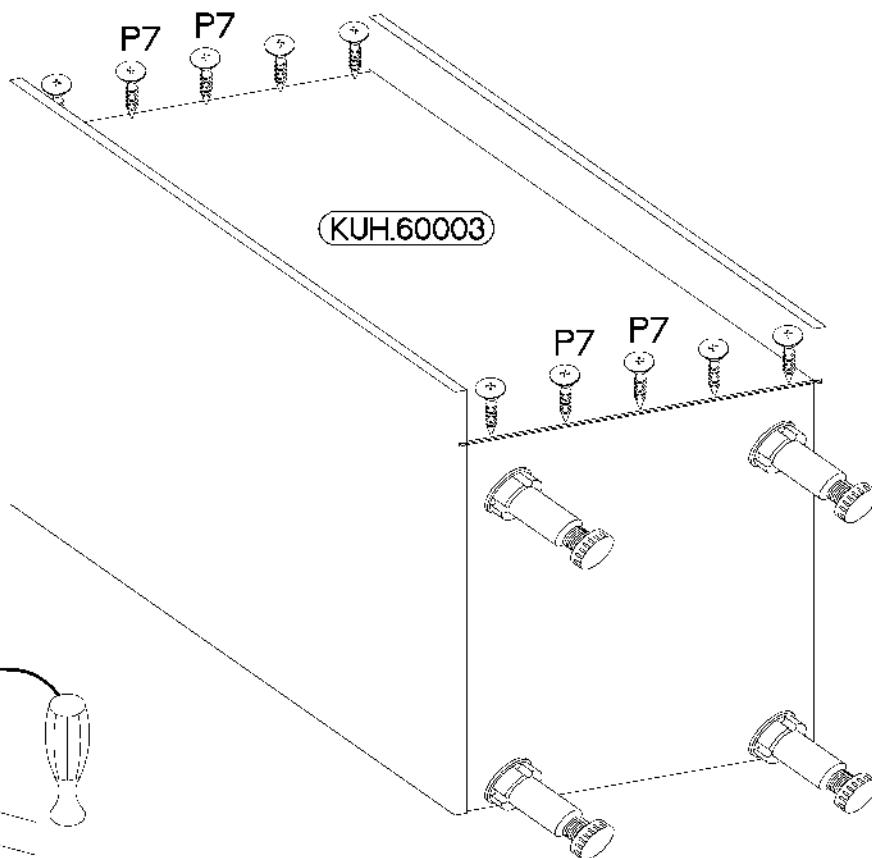
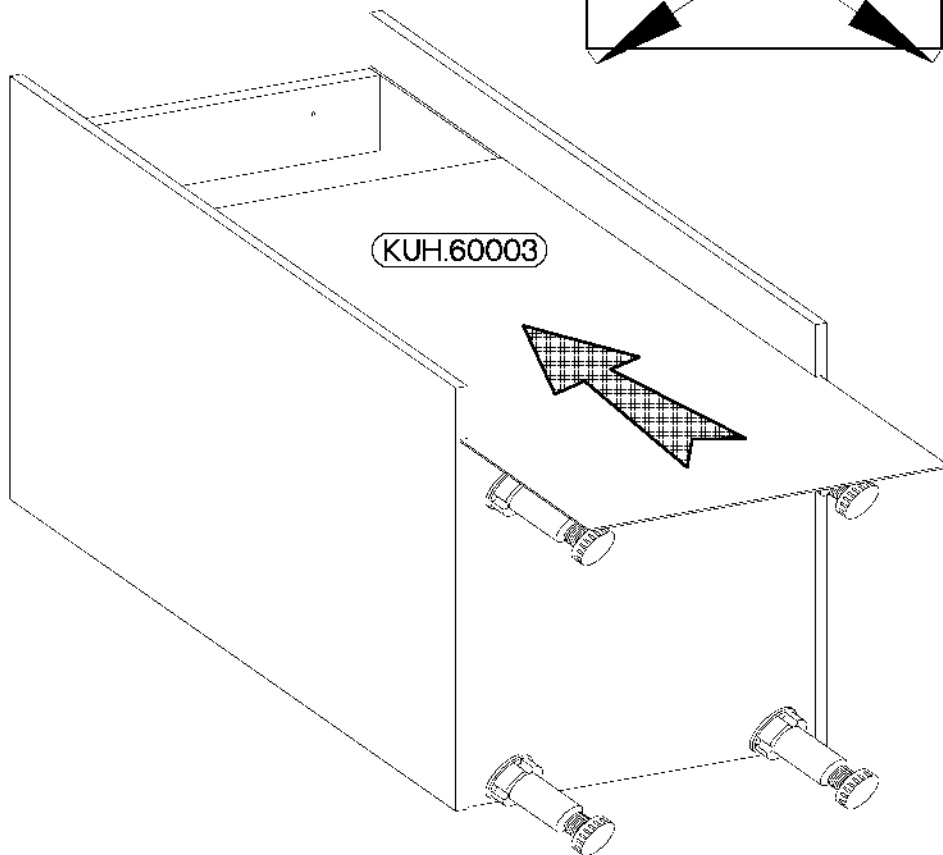
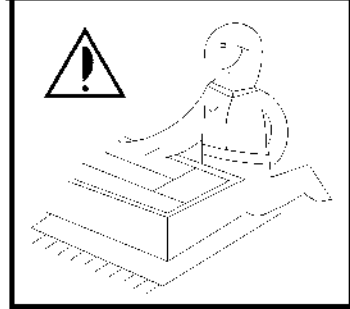
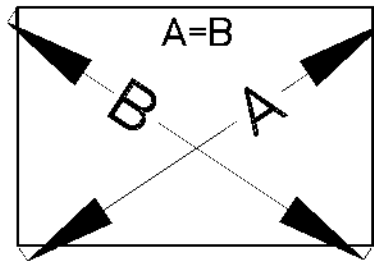


3.0x20mm



P7

8-10



1

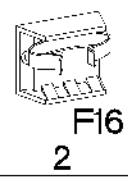
4.0x35mm 3.5x13mm



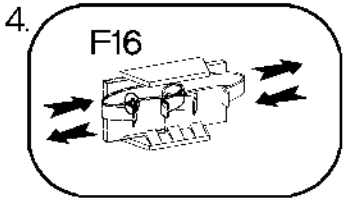
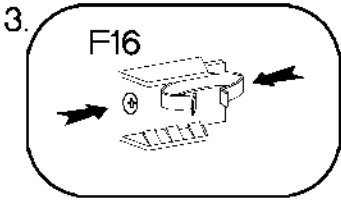
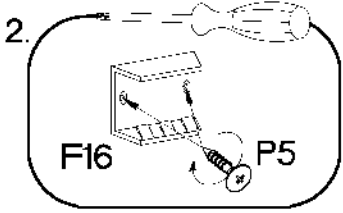
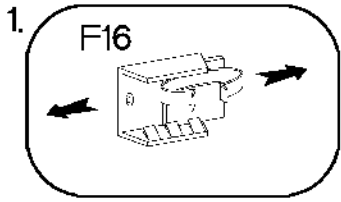
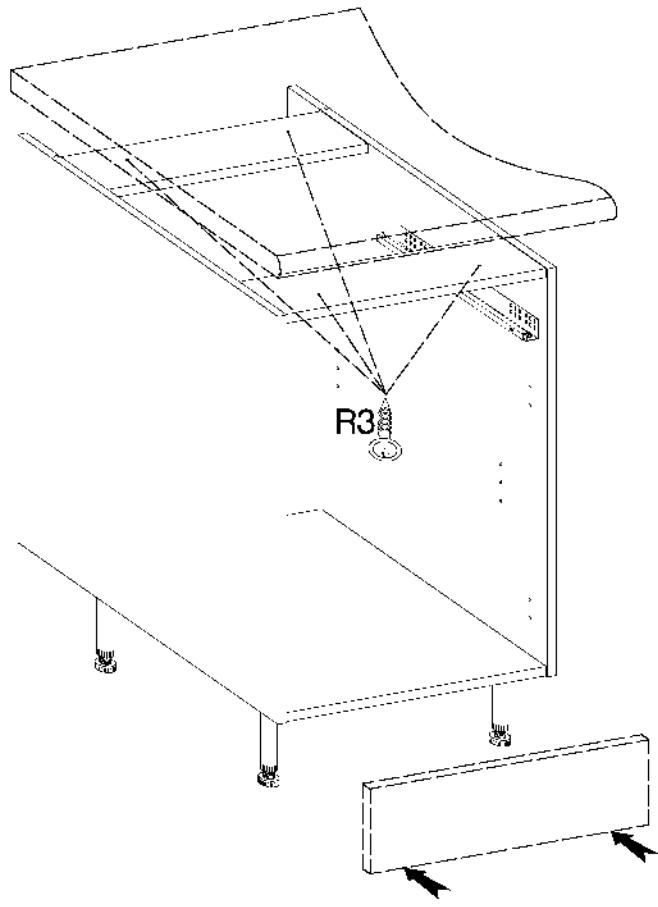
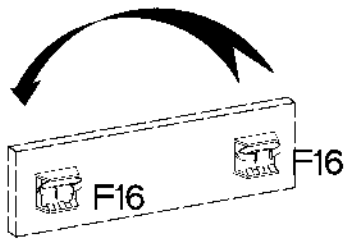
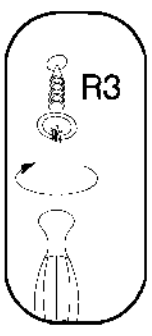
R3  
4



P5  
4



F16  
2

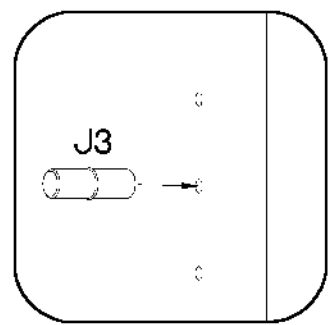
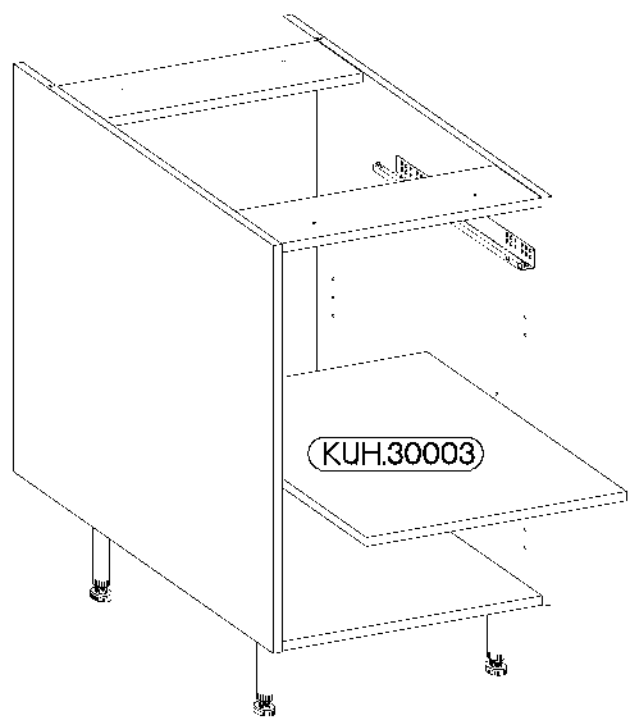


2

5/16mm



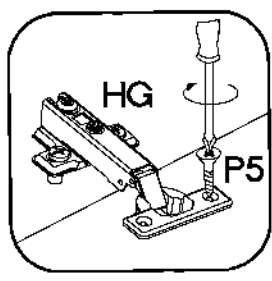
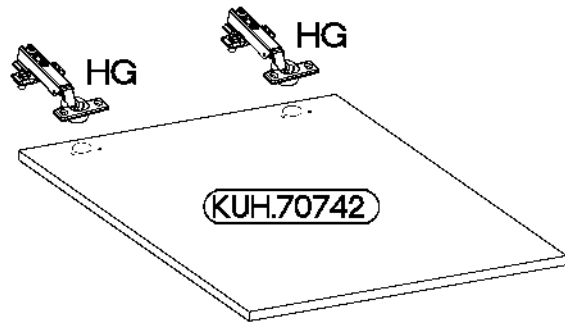
J3  
4





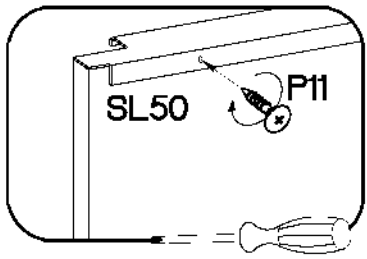
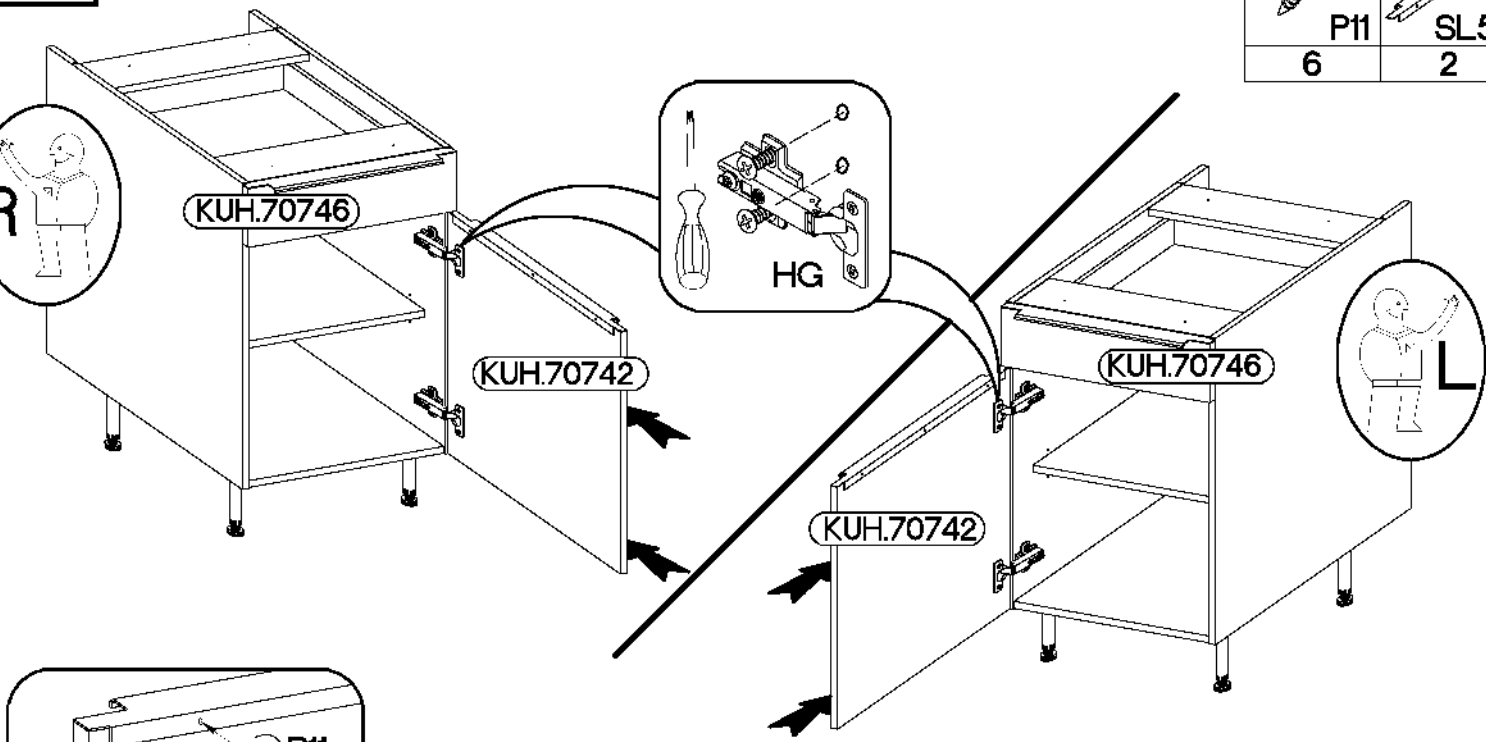
# 13

|                    |                      |
|--------------------|----------------------|
| ∅35/0mm<br>HG<br>2 | ∅3.5x13mm<br>P5<br>4 |
|--------------------|----------------------|

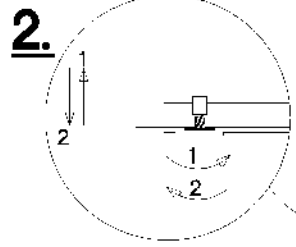
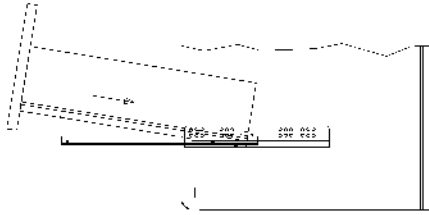


# 14

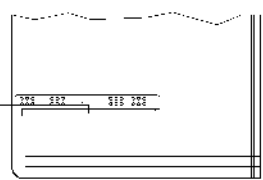
|                       |                      |
|-----------------------|----------------------|
| ∅3.0x16mm<br>P11<br>6 | L=495mm<br>SL50<br>2 |
|-----------------------|----------------------|



**1.**

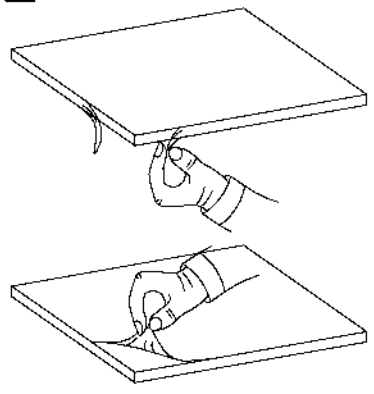


**2.**



## VARIANT HIGH GLOSS

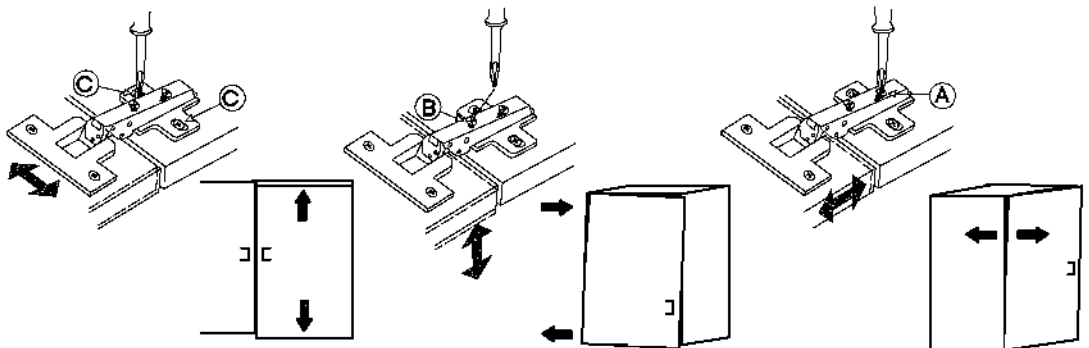
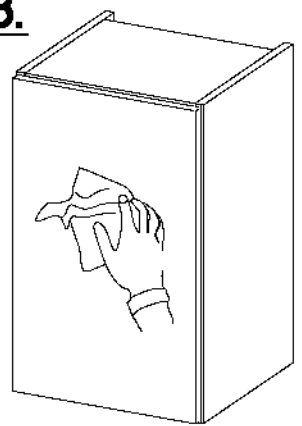
**1.**

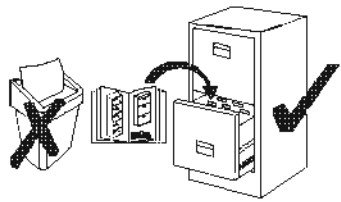
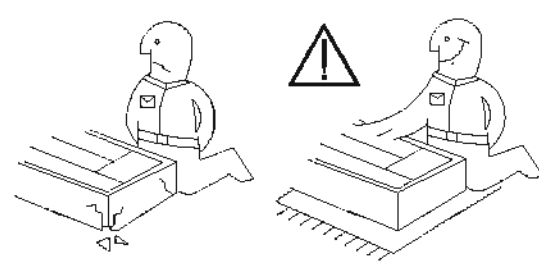
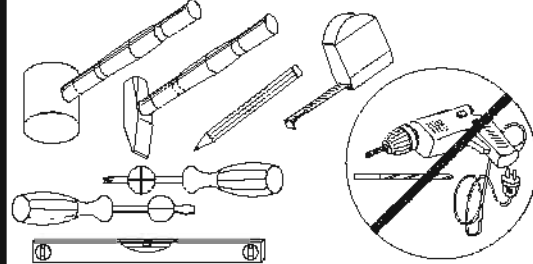
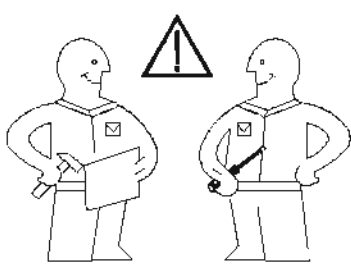


**2.**



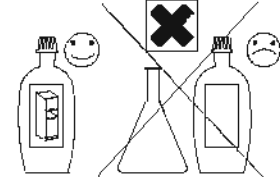
**3.**



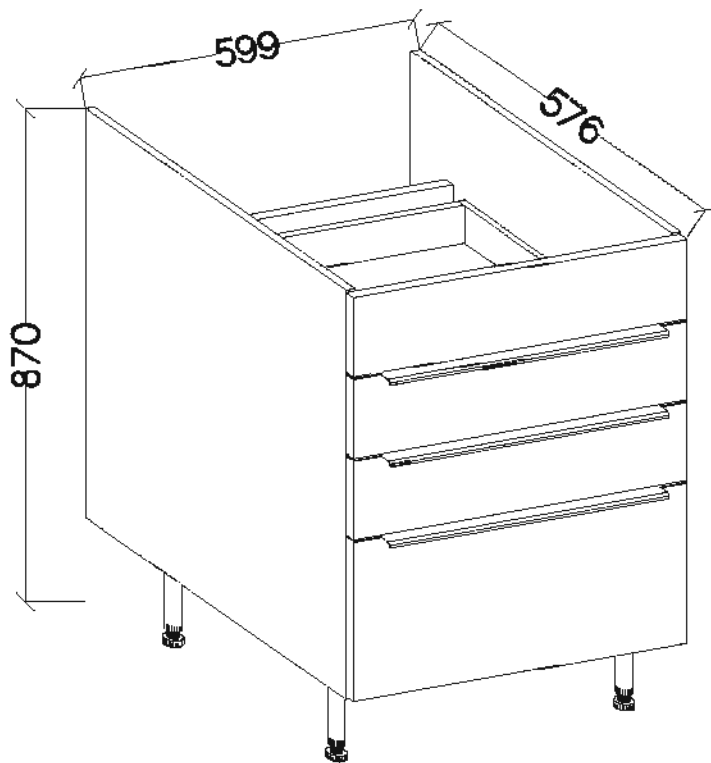


SAFADO / MARLEEN

84-176-...  
84-17H-...

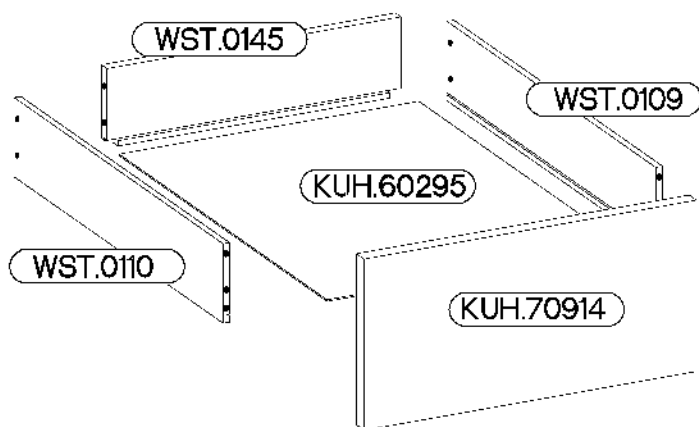
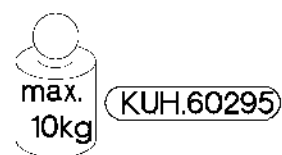
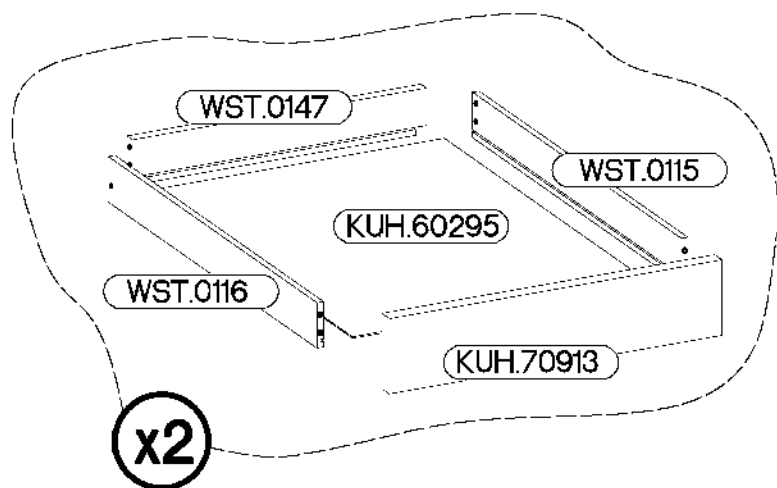
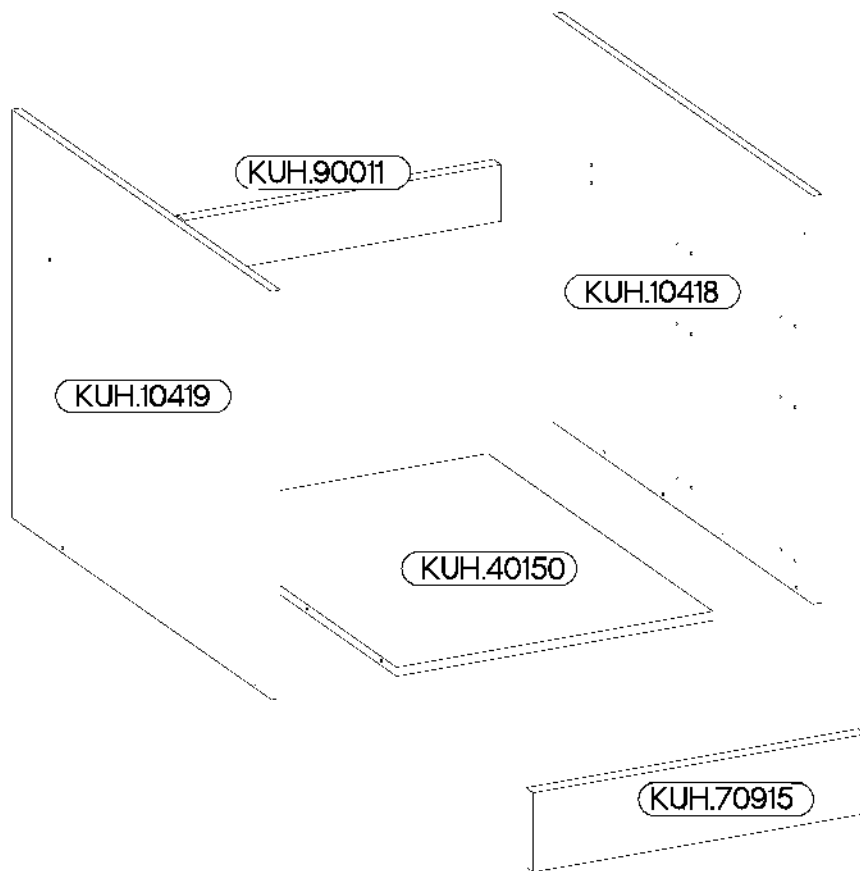


**respekta®**




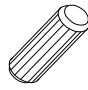
|                        |                          |                           |                            |                          |                           |              |
|------------------------|--------------------------|---------------------------|----------------------------|--------------------------|---------------------------|--------------|
| <br>+8x30mm<br>A<br>18 | <br>6,4 x 50mm<br>B<br>6 | <br>+6x42mm<br>B2<br>8    | <br>+12/10mm<br>C5<br>6    | <br>L=20mm<br>D2<br>6    | <br>E1<br>6               | <br>F15<br>4 |
| <br>F16<br>2           | <br>L=450mm<br>L R<br>3  | <br>L=450 mm<br>K34<br>3  |                            | <br>L<br>12              | <br>+6.3x13mm<br>M2<br>24 |              |
| <br>O<br>1             | <br>+4.0x16mm<br>P1<br>4 | <br>+3.5x13mm<br>P5<br>30 | <br>+3.0x16mm<br>P11<br>12 | <br>L=595mm<br>SL60<br>3 | <br>T3<br>2               | <br>T10<br>2 |

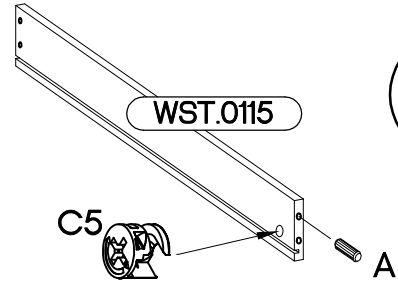
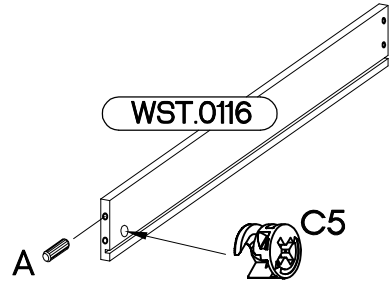
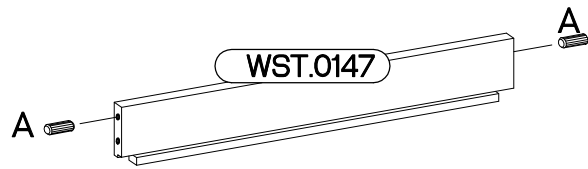
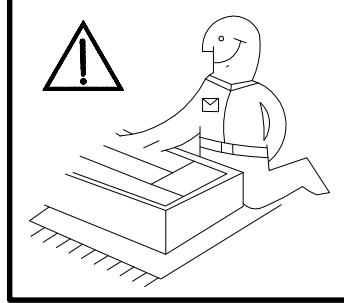
**ISM-KUH-01593**



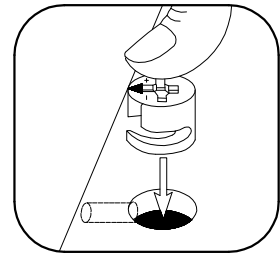
| Colli        | Spare Part   | Dimension   |
|--------------|--------------|-------------|
| Colli<br>2/6 | KUH.10418    | 720x560x16  |
|              | KUH.10419    | 720x560x16  |
|              | KUH.40150    | 567x485x16  |
|              | KUH.60295 x3 | 537x448x2,5 |
|              | KUH.70913 x2 | 138x596x16  |
|              | KUH.70914    | 281x596x16  |
|              | KUH.70915    | 140x596x16  |
|              | WST.0109     | 450x140x12  |
|              | WST.0110     | 450x140x12  |
|              | WST.0115 x2  | 450x80x12   |
|              | WST.0116 x2  | 450x80x12   |
|              | WST.0145     | 527x140x12  |
|              | WST.0147 x2  | 527x80x12   |

1


|  |  |
|--|--|
| †12/10mm<br><br><b>C5</b><br>4 | †8x30mm<br><br><b>A</b><br>8 |
|--|--|

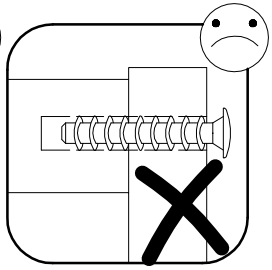
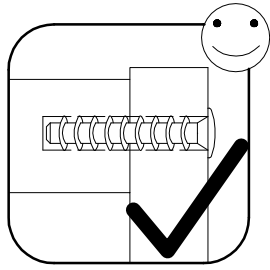
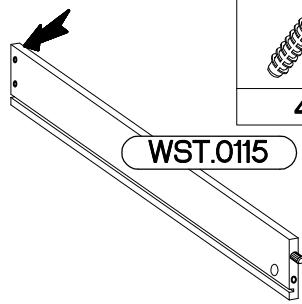
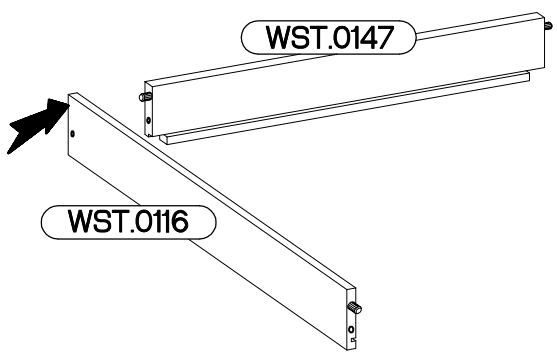


x2

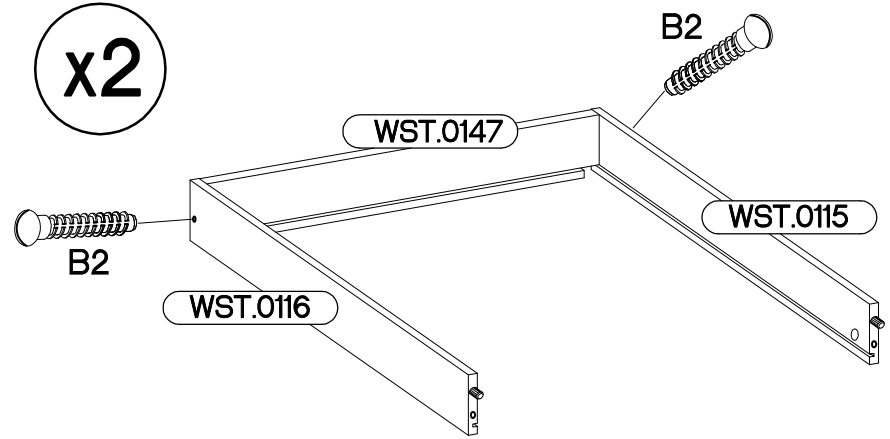
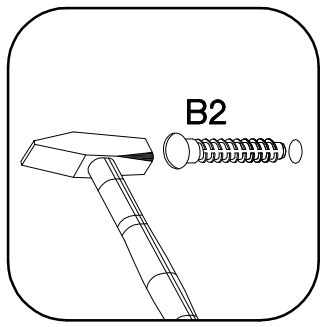


2


|  |
|--|
| †6x42mm<br><br><b>B2</b><br>4 |
|--|

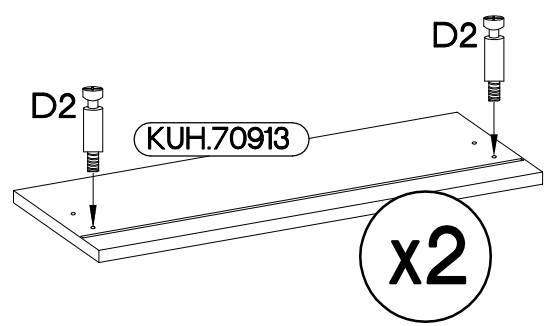
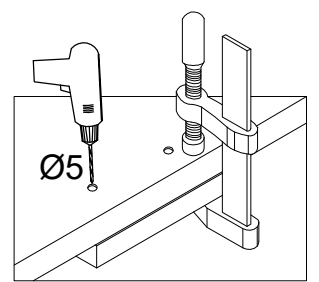
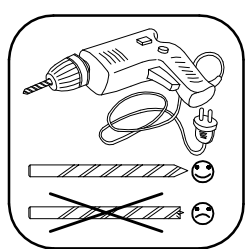


x2

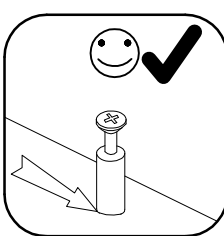
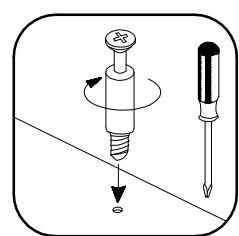


3

|   |
|---|
| L=20mm<br><br><b>D2</b><br>4 |
|---|

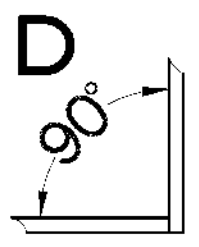
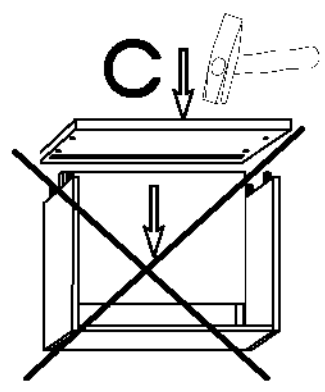
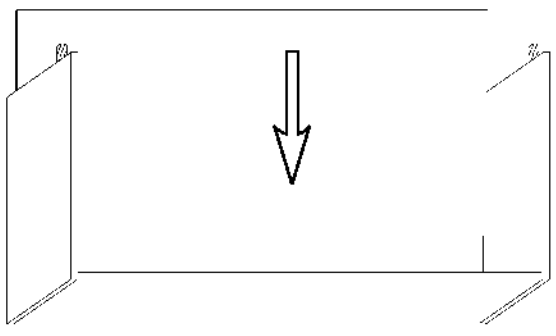
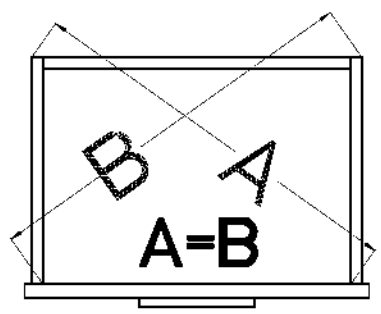
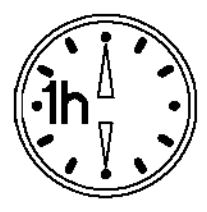
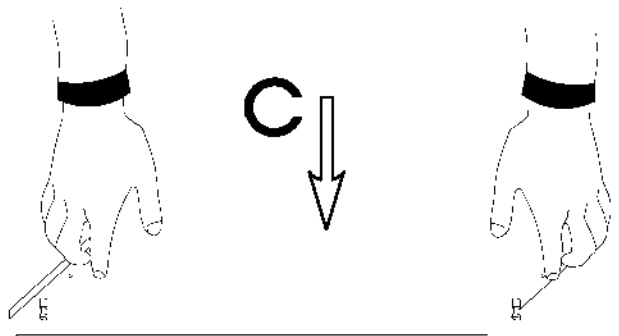
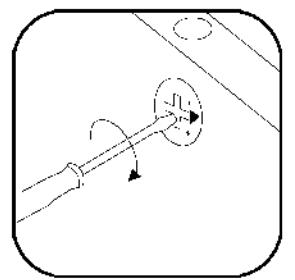
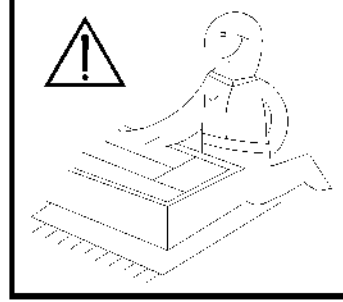
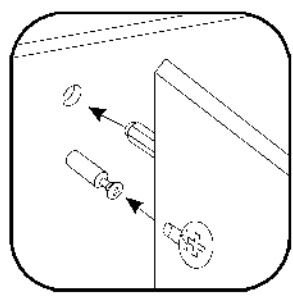
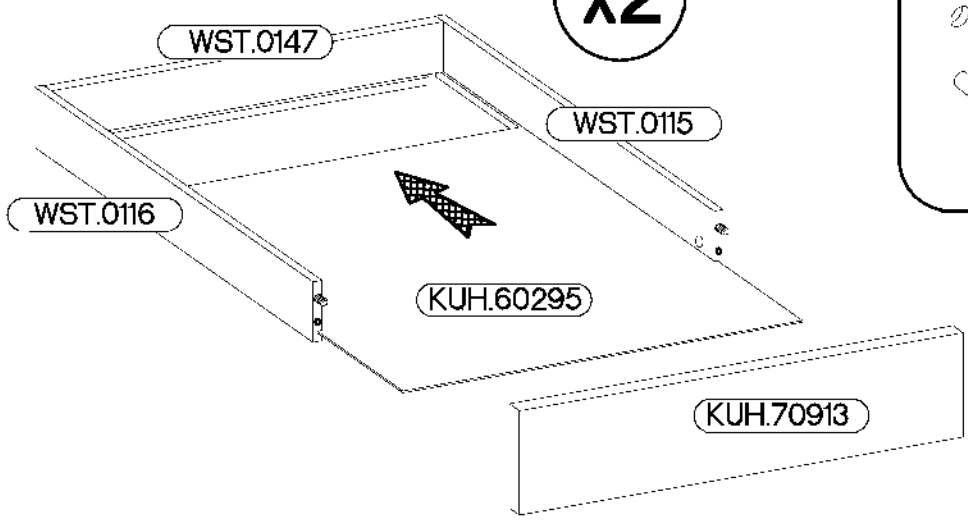


x2



4

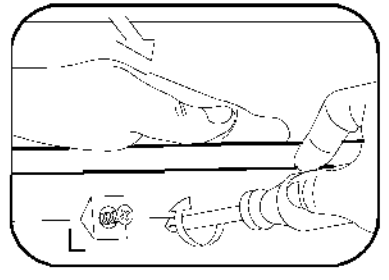
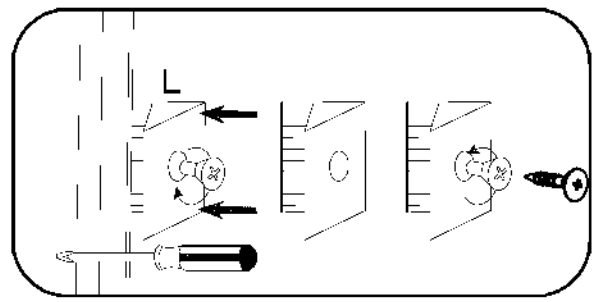
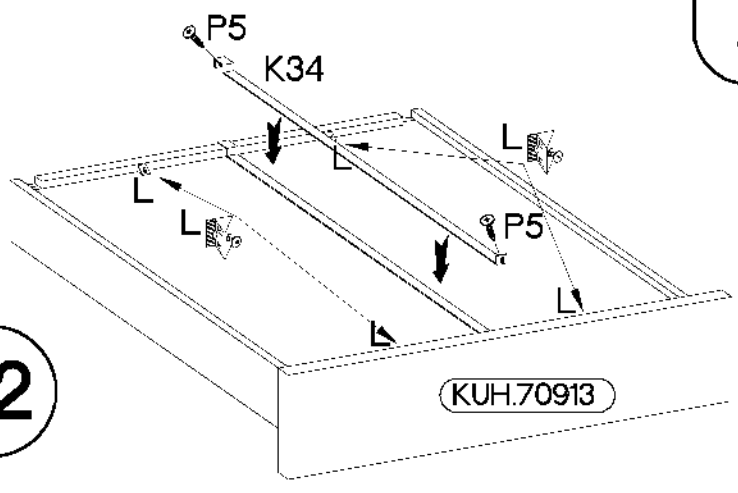
x2




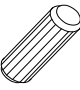
5

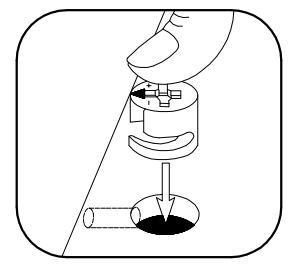
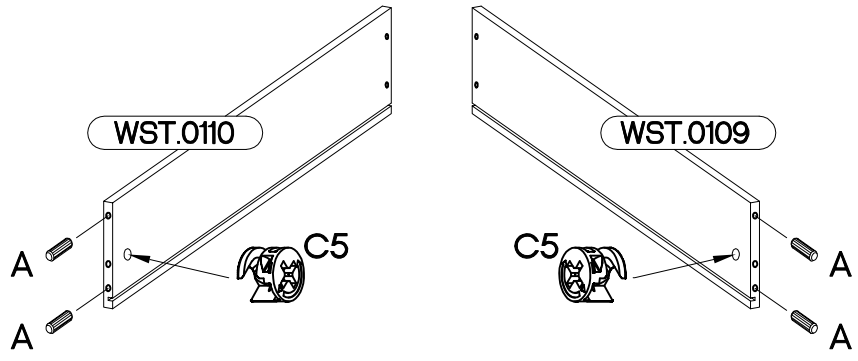
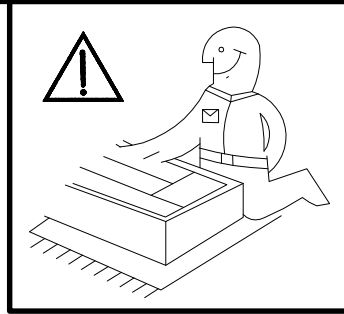
|   |          |     |  |    |
|---|----------|-----|--|----|
|   | L-450 mm |     | $\varnothing 3.5 \times 13 \text{ mm}$ |    |
| L |          | K34 |  | P5 |
| 8 | 2        |     |  | 4  |

x2




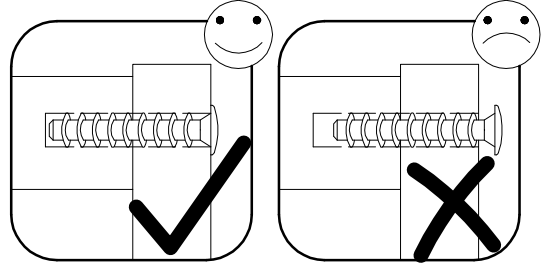
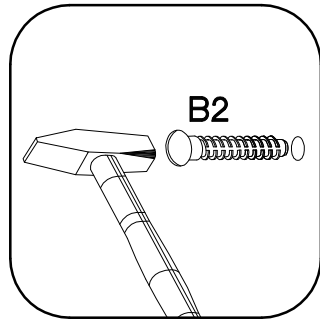
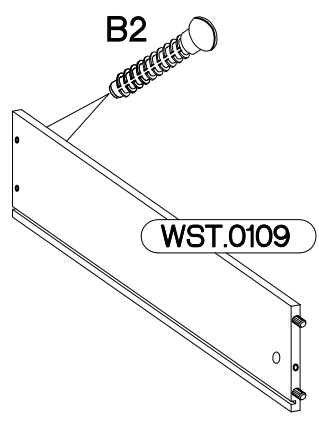
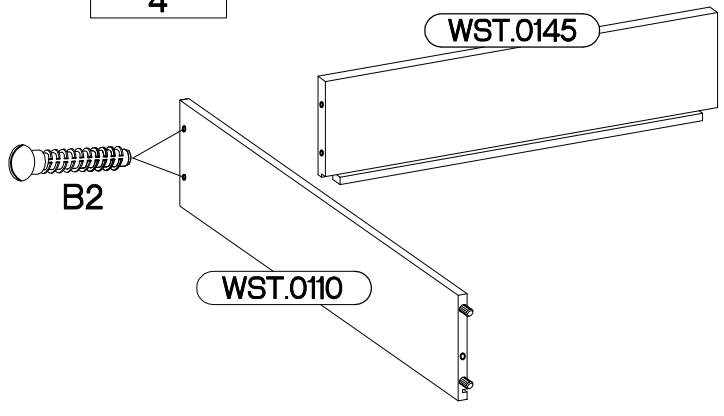
6

|   |   |
|---|---|
| <p>‡12/10mm</p>  <p>C5</p> <p>2</p> | <p>‡8x30mm</p>  <p>A</p> <p>4</p> |
|---|---|




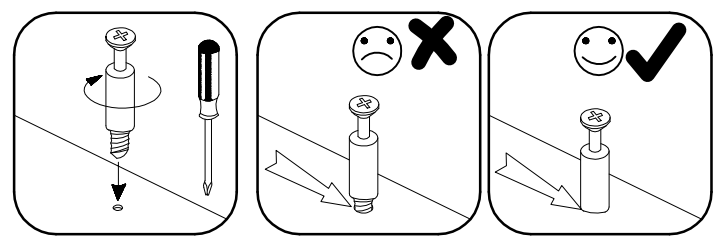
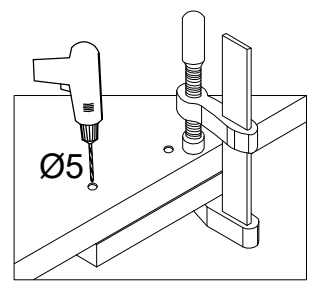
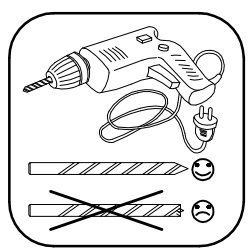
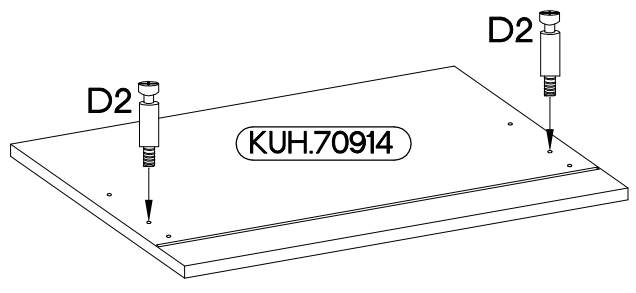
7

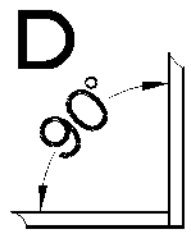
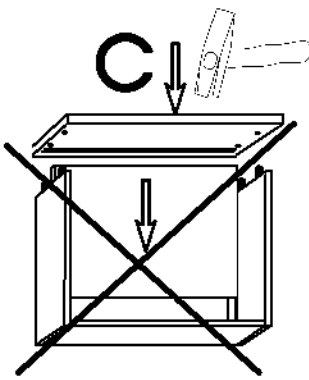
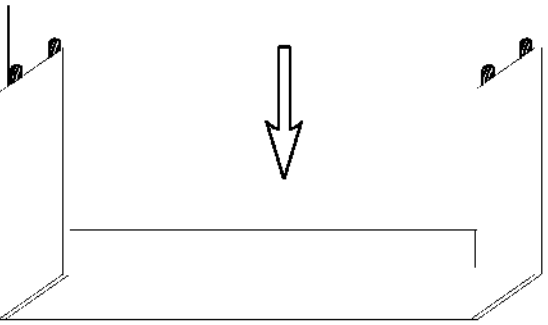
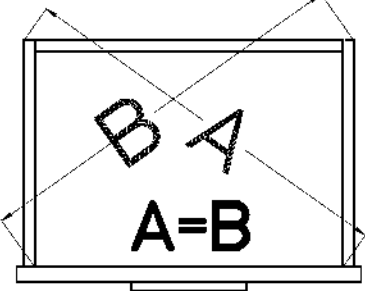
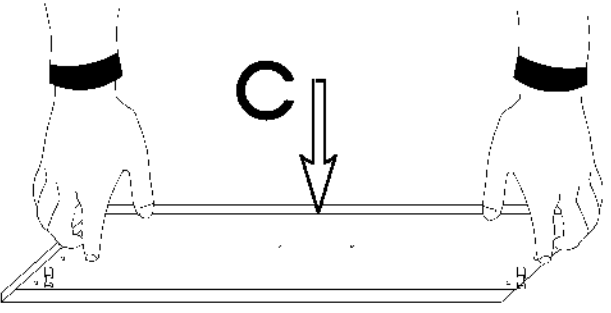
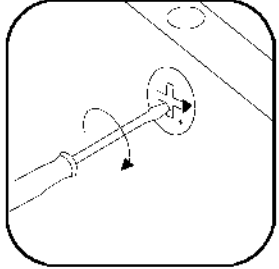
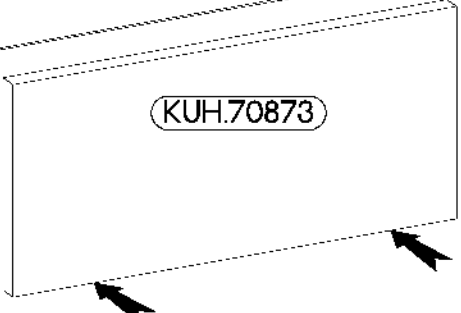
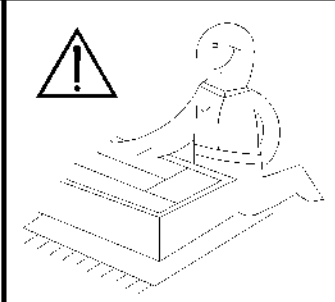
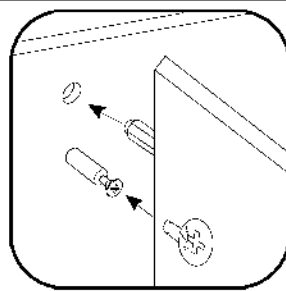
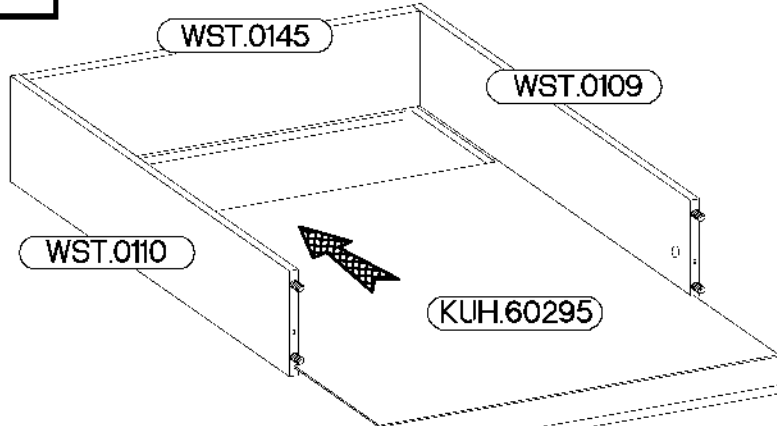
|   |
|---|
| <p>‡6x42mm</p>  <p>B2</p> <p>4</p> |
|---|



8

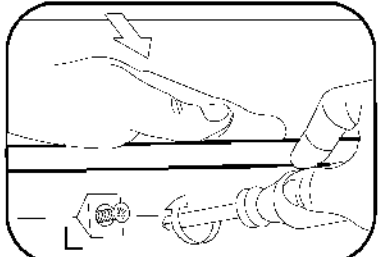
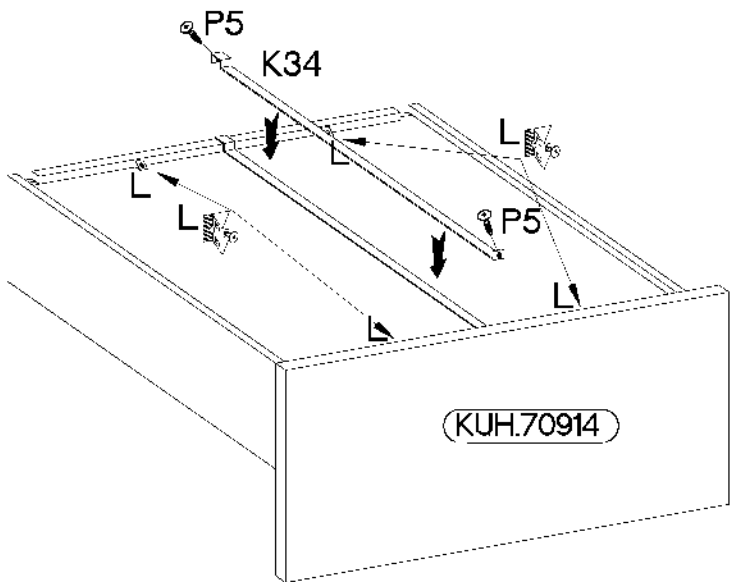
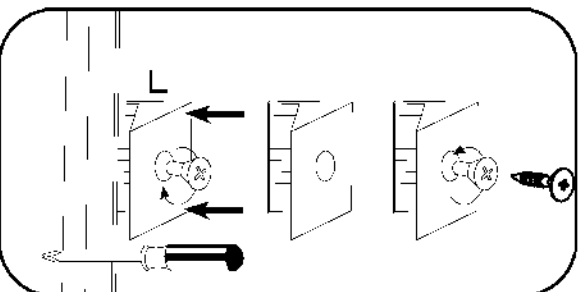
|  |
|--|
| <p>L=20mm</p>  <p>D2</p> <p>2</p> |
|--|





10

|   |          |     |  |    |
|---|----------|-----|--|----|
|   | L=450 mm |     | $\varnothing 3.5 \times 13 \text{ mm}$ |    |
| L |          | K34 |  | P5 |
| 4 | 1        |     |  | 2  |





+8x30mm



2

L



R



A L=450mm

3

+6.3x13mm



24



T3

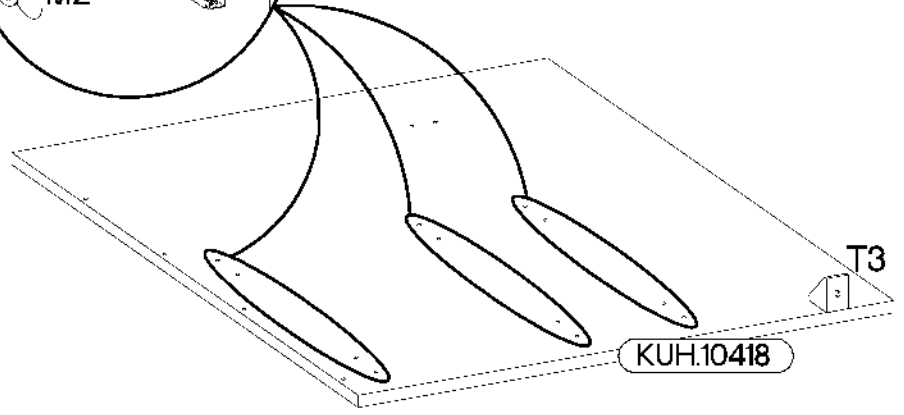
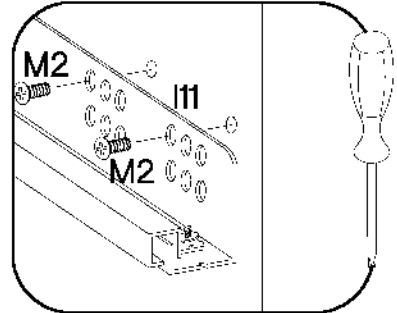
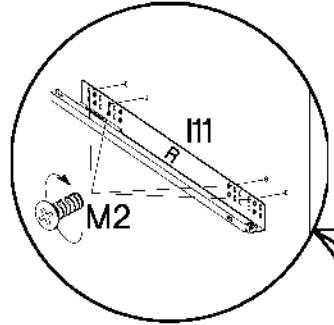
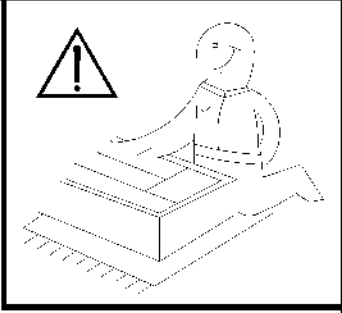
2

+4.0x16mm

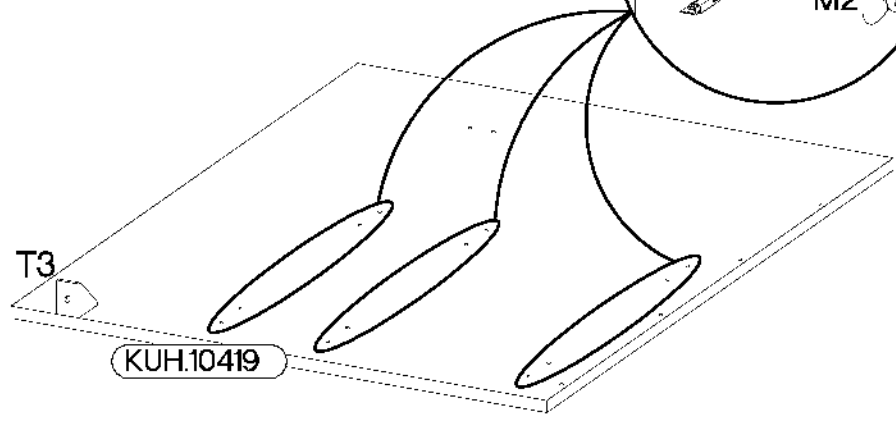
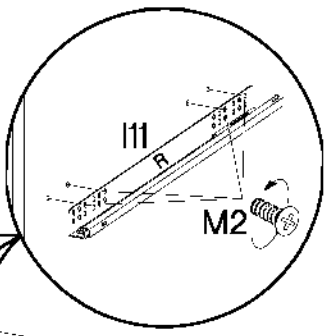


P1

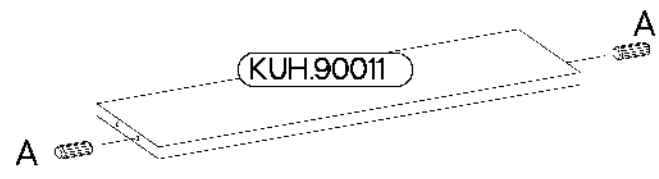
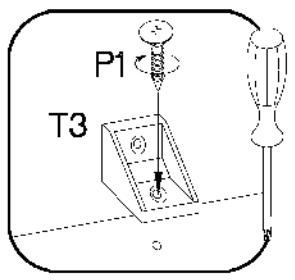
2



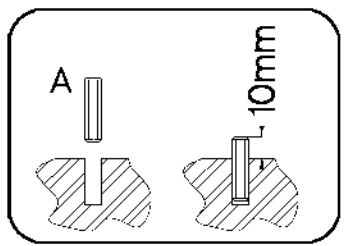
KUH.10418



KUH.10419



KUH.90011



A

L=10mm



2

φ3.5x13mm



P5

16



F15

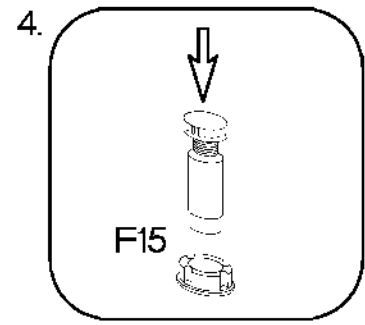
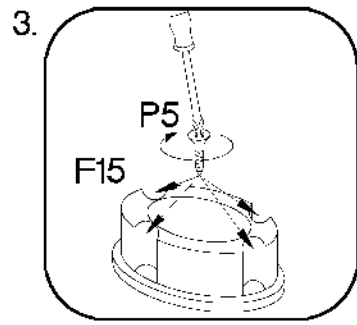
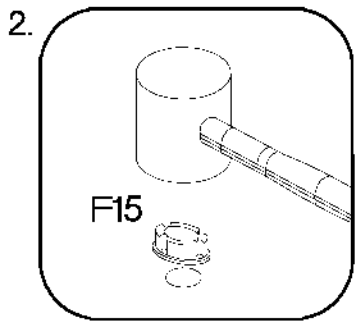
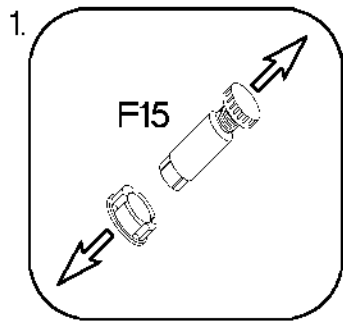
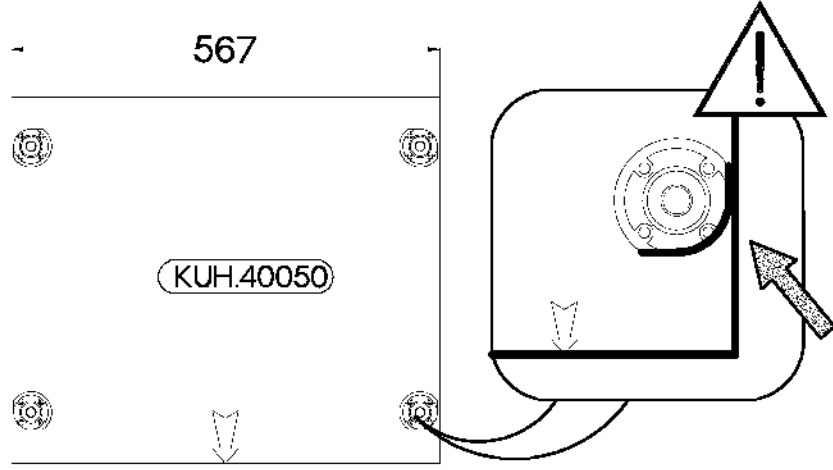
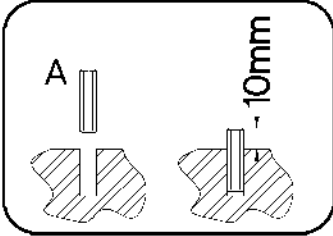
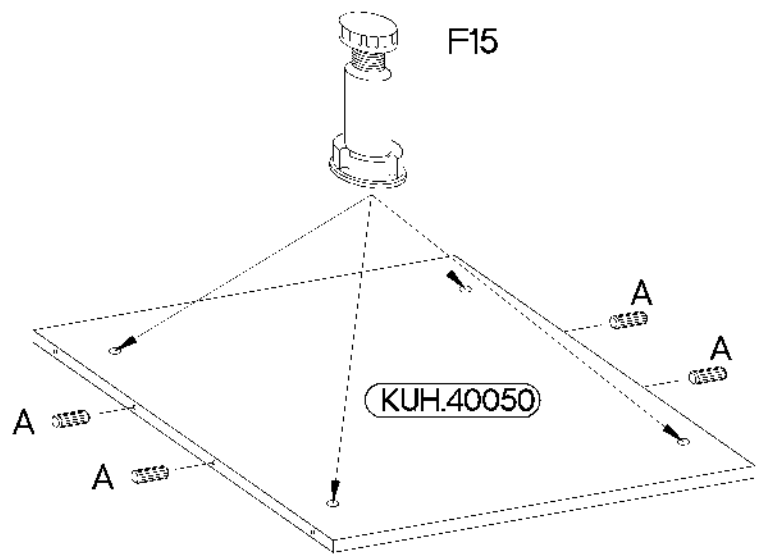
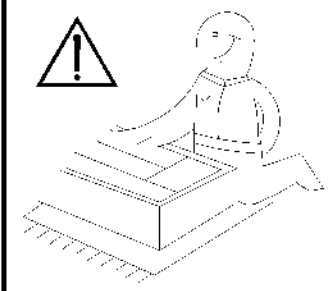
4

+8x30mm



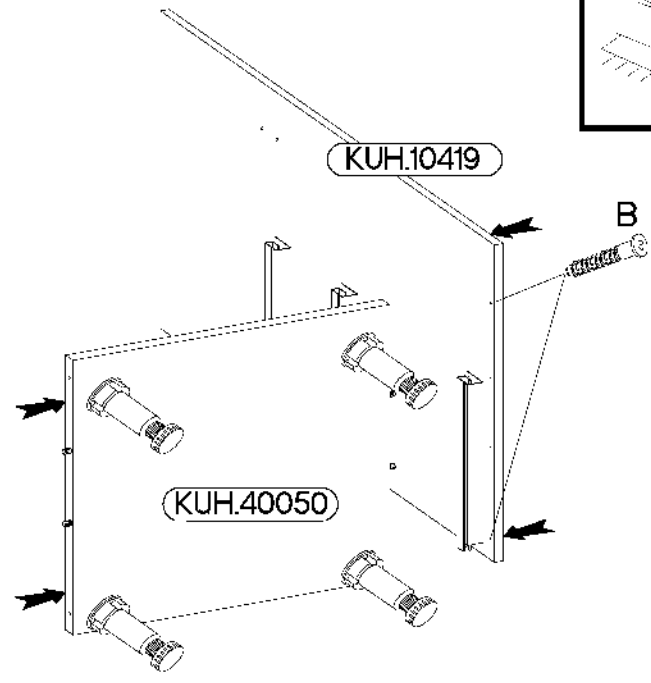
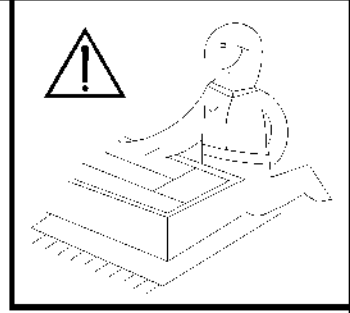
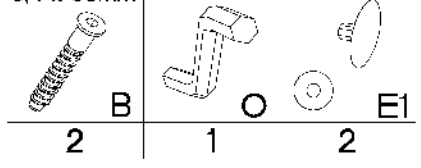
A

4

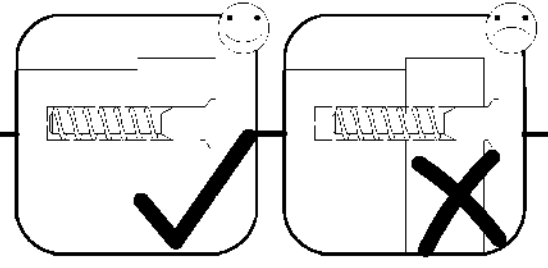
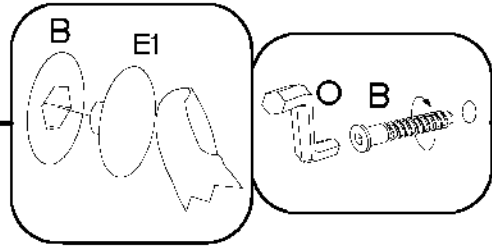




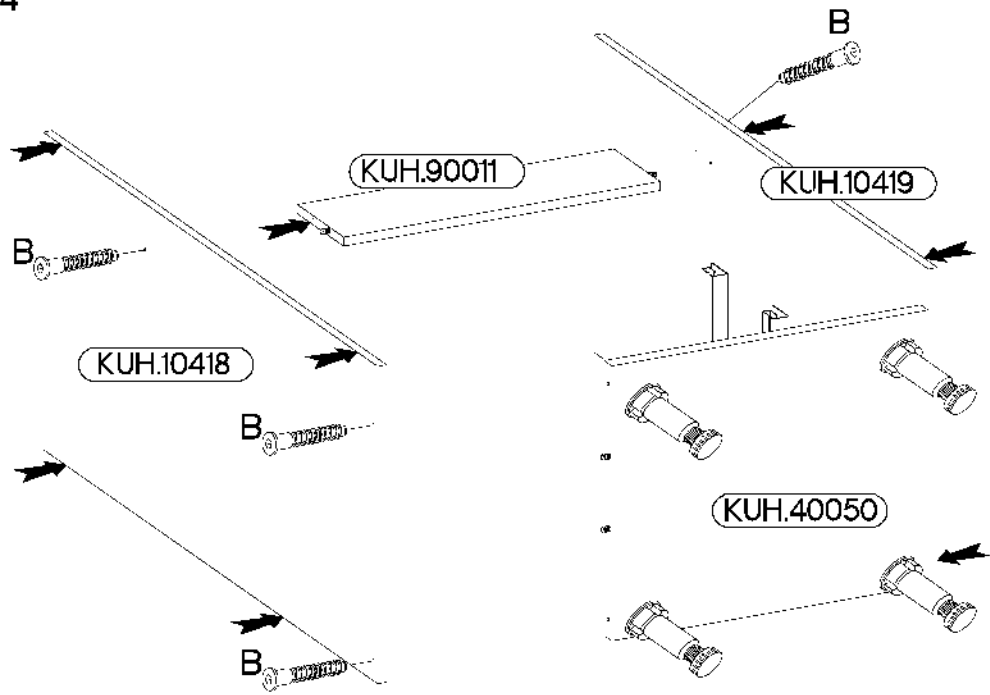
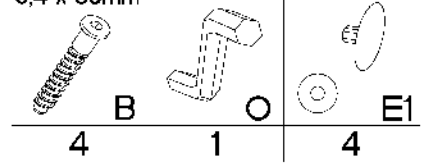
6,4 x 50mm



14



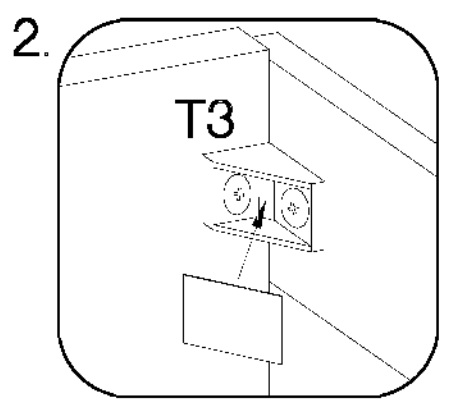
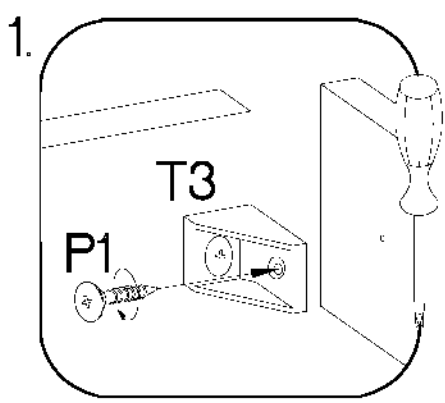
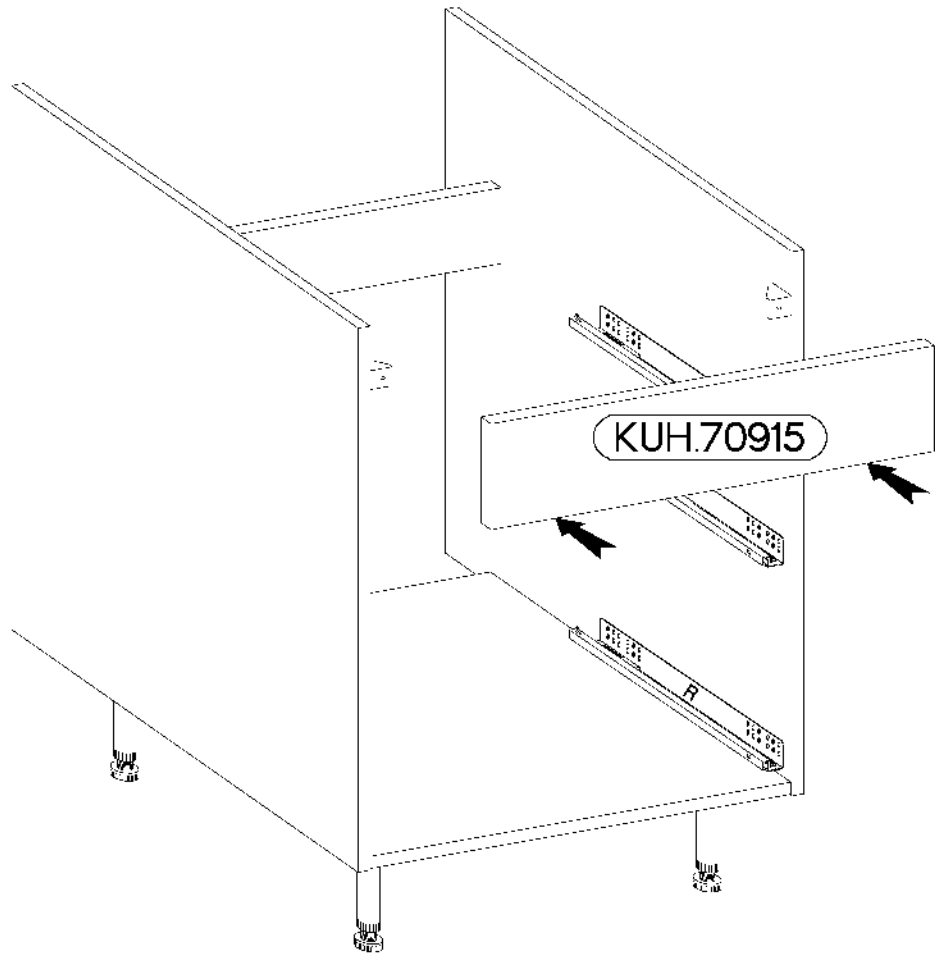
6,4 x 50mm





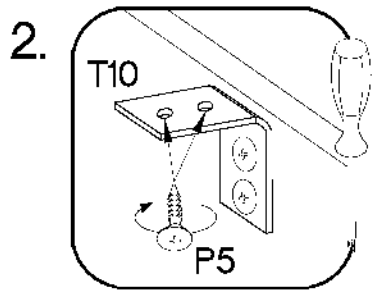
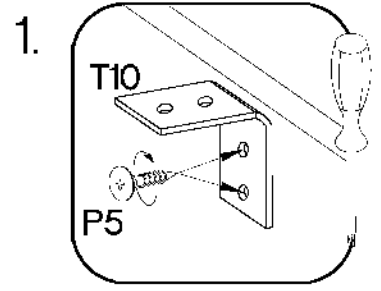
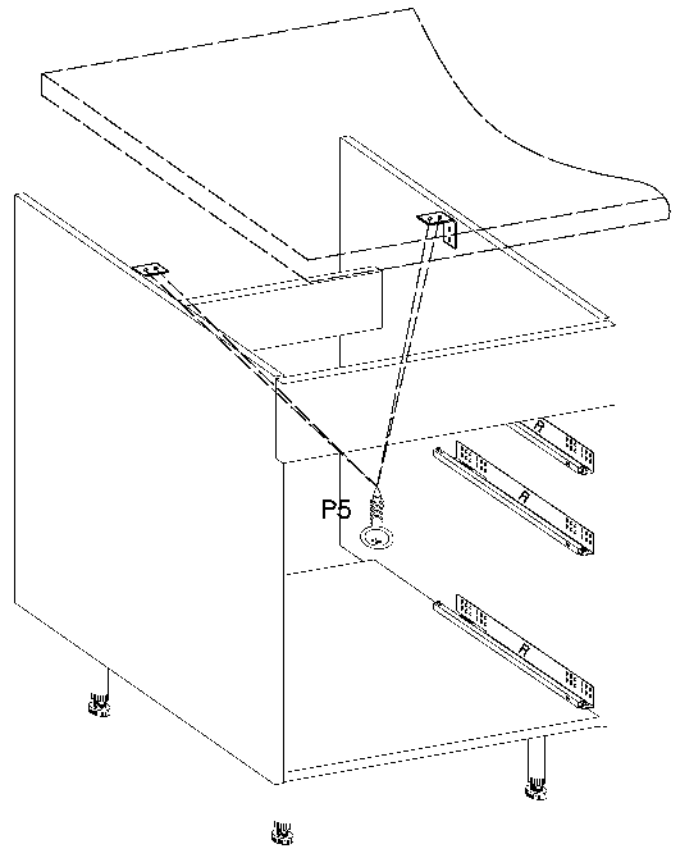




P1

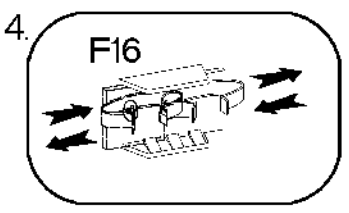
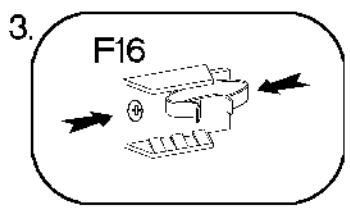
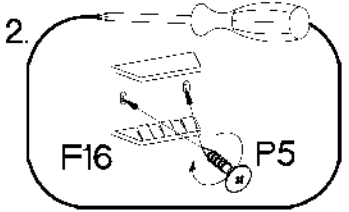
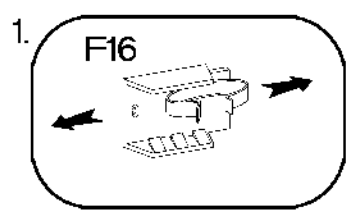
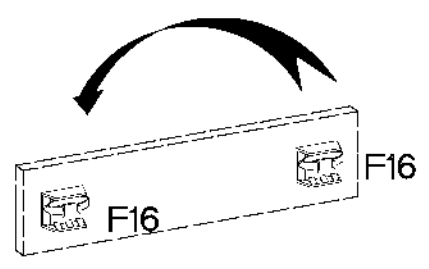
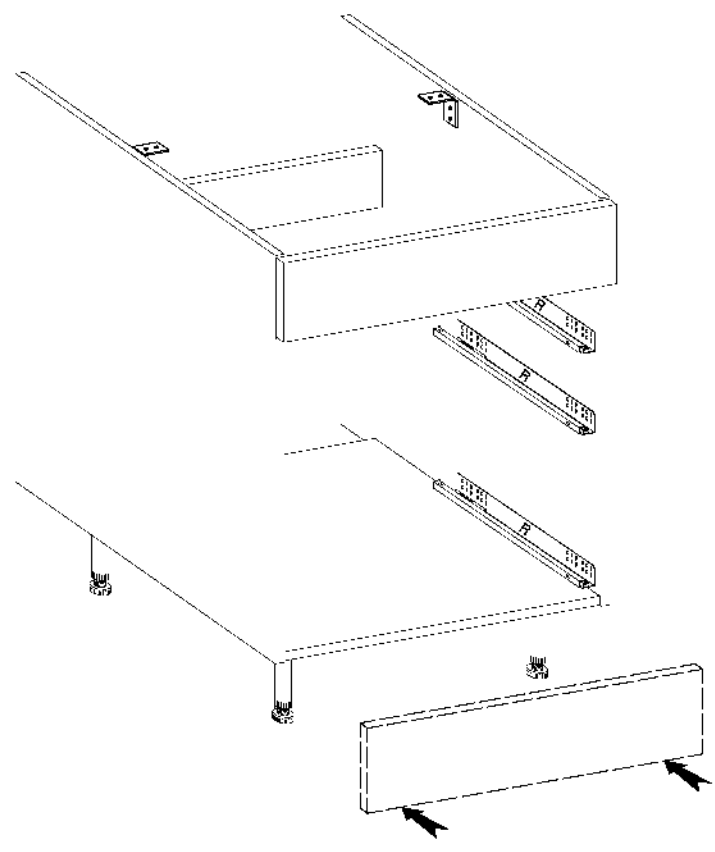
2





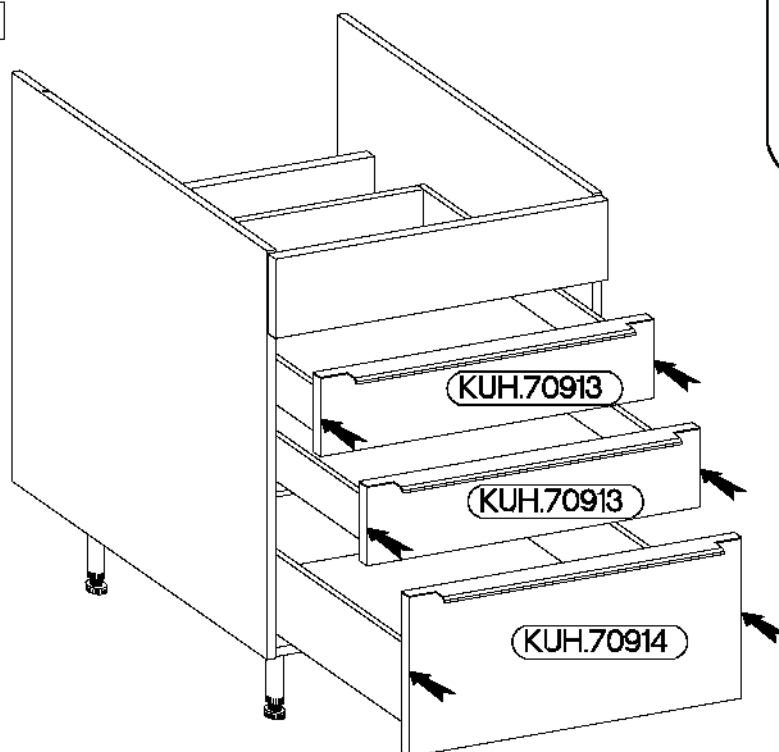
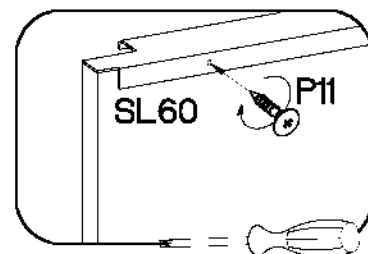
|  |  |
|--|--|
| ø3.5x13mm  |  |
|  |  |
| P5   | T10  |
| 8  | 2  |



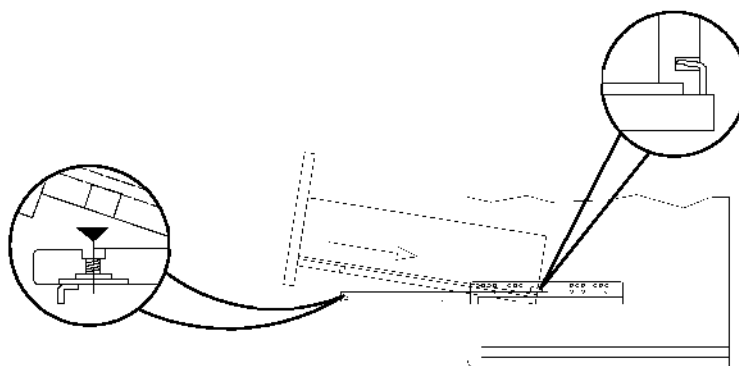
|   |   |
|---|---|
| ø3.5x13mm   |   |
|  |  |
| P5  | F16   |
| 4   | 2   |



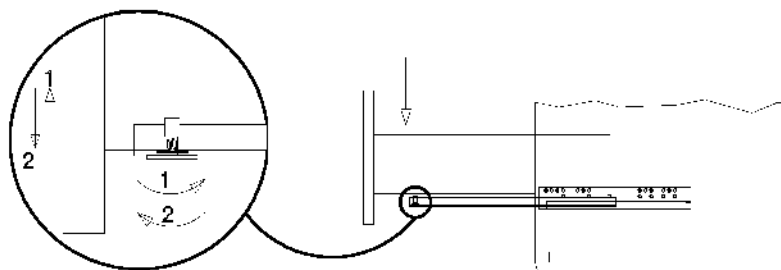
|  |  |
|--|--|
| ±3.0x16mm  | L=595mm  |
|  |  |
| P11  | SL60   |
| 12   | 3  |



**1.**

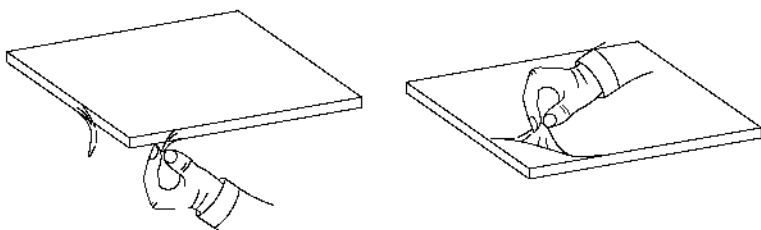


**2.**

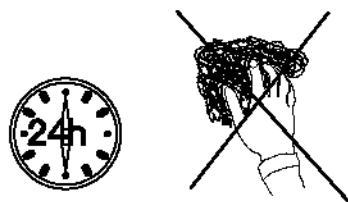


## VARIANT HIGH GLOSS

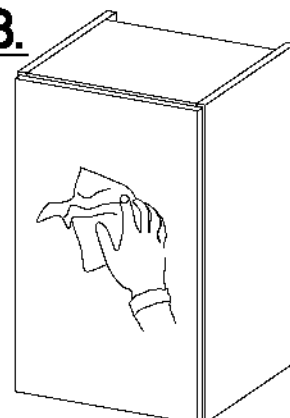
**1.**

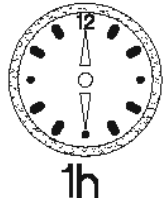
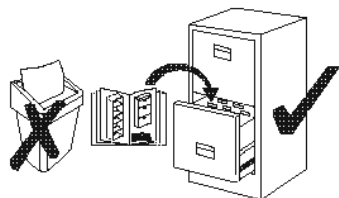
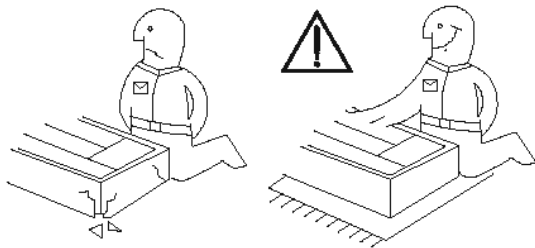
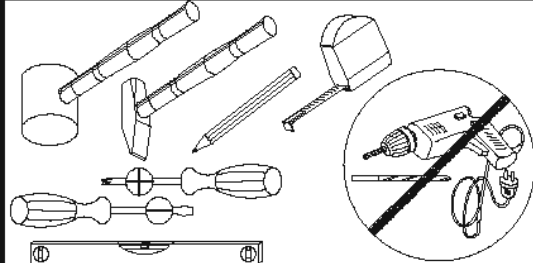
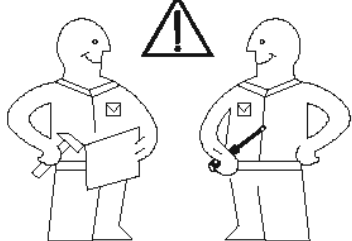


**2.**



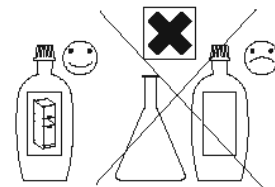
**3.**





SAFADO / MARLEEN

84-170-...  
84-176-...  
84-17C-...

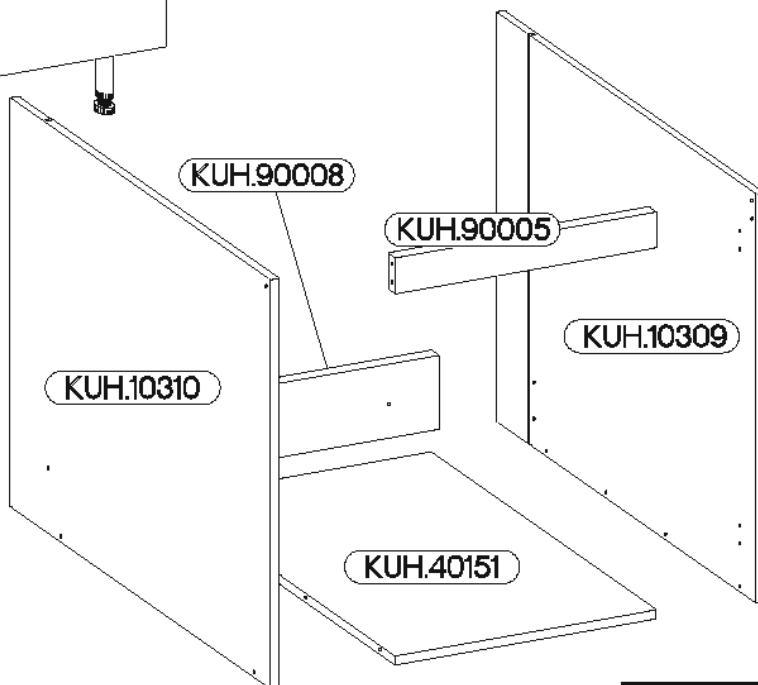
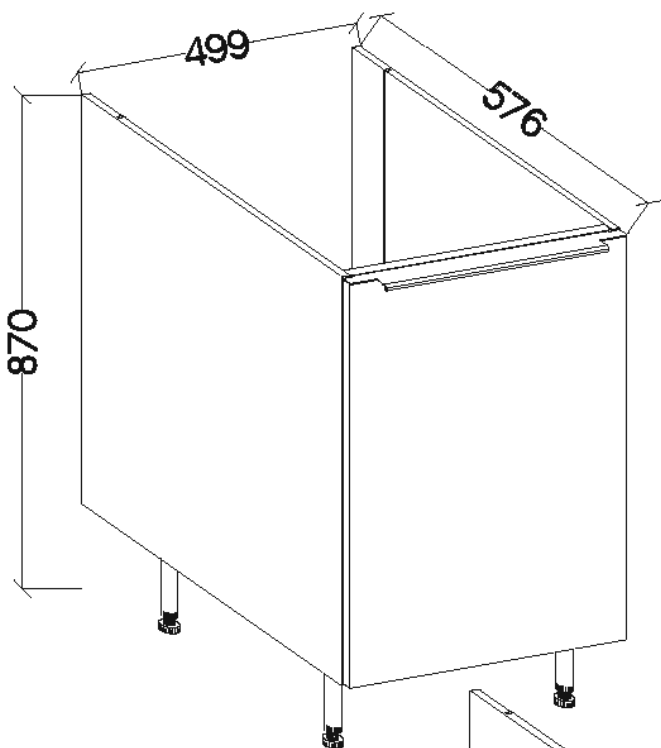
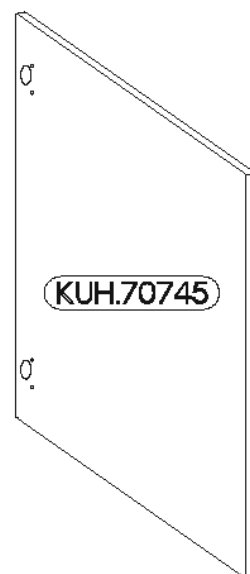


**respekta®**



KUH.40151

max.  
10kg



|                       |                          |                        |              |                            |
|-----------------------|--------------------------|------------------------|--------------|----------------------------|
| ±8x30mm<br><br>A<br>8 | 6,4 x 50mm<br><br>B<br>8 | <br>E1<br>8            | <br>L37<br>2 | <br>L38<br>2               |
| <br>F15<br>4          | <br>F16<br>2             | ±35/0mm<br><br>HG<br>2 | <br>O<br>1   | ±3.5x13mm<br><br>P5<br>32  |
|                       |                          |                        |              | ±3.0x16mm<br><br>P11<br>17 |
|                       |                          |                        |              | L=495mm<br><br>SL50<br>1   |
|                       |                          |                        |              | <br>T10<br>2               |

| Colli        | Spare Part | Dimension  |
|--------------|------------|------------|
| Colli<br>3/6 | KUH.10309  | 720x560x16 |
|              | KUH.10310  | 720x560x16 |
|              | KUH.40151  | 467x485x16 |
|              | KUH.70745  | 711x496x16 |
|              | KUH.90005  | 467x63x16  |
|              | KUH.90008  | 467x130x16 |

**ISM-KUH-01603**

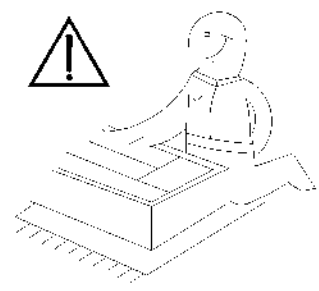
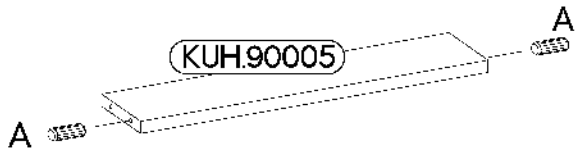
±8x30mm



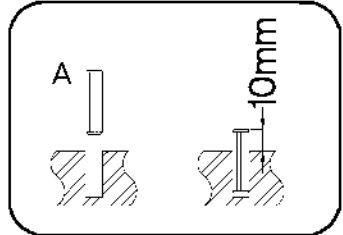
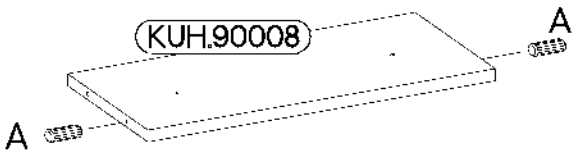
A

4

KUH.90005



KUH.90008



2

±8x30mm ±3.5x13mm



4

A



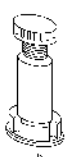
P5

16

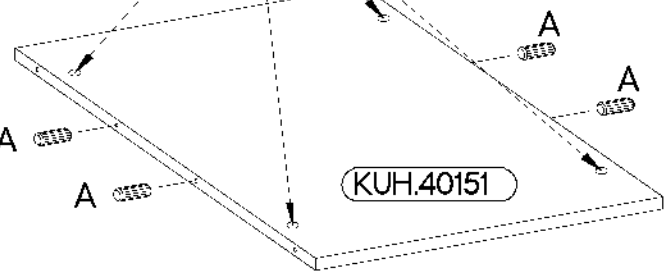


F15

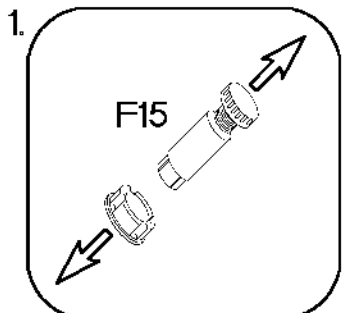
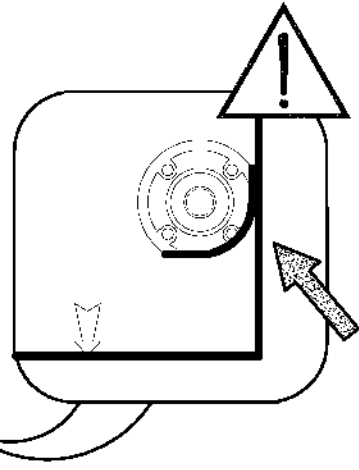
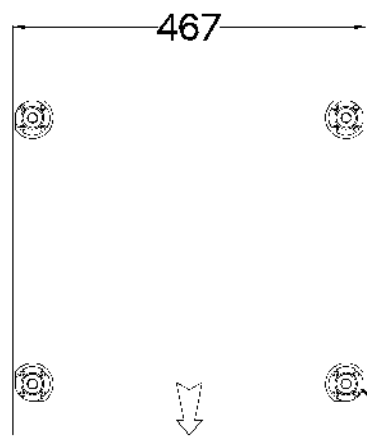
4



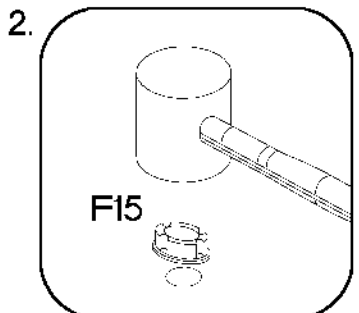
F15



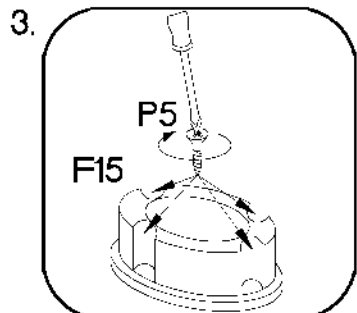
KUH.40151



F15

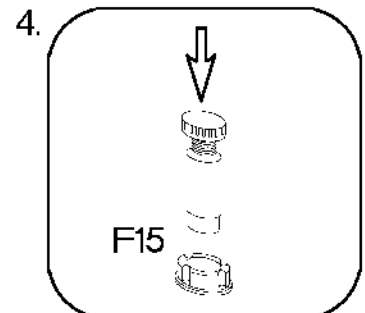


F15



P5

F15



F15

3

±35/0mm ±3.5x13mm



HG

2



P5

4

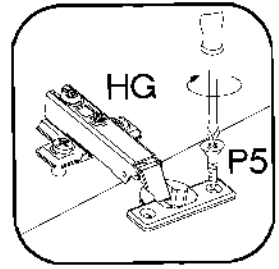


HG



HG

KUH.70745



HG

P5

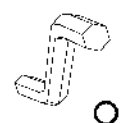
4

6,4 x 50mm



B

4



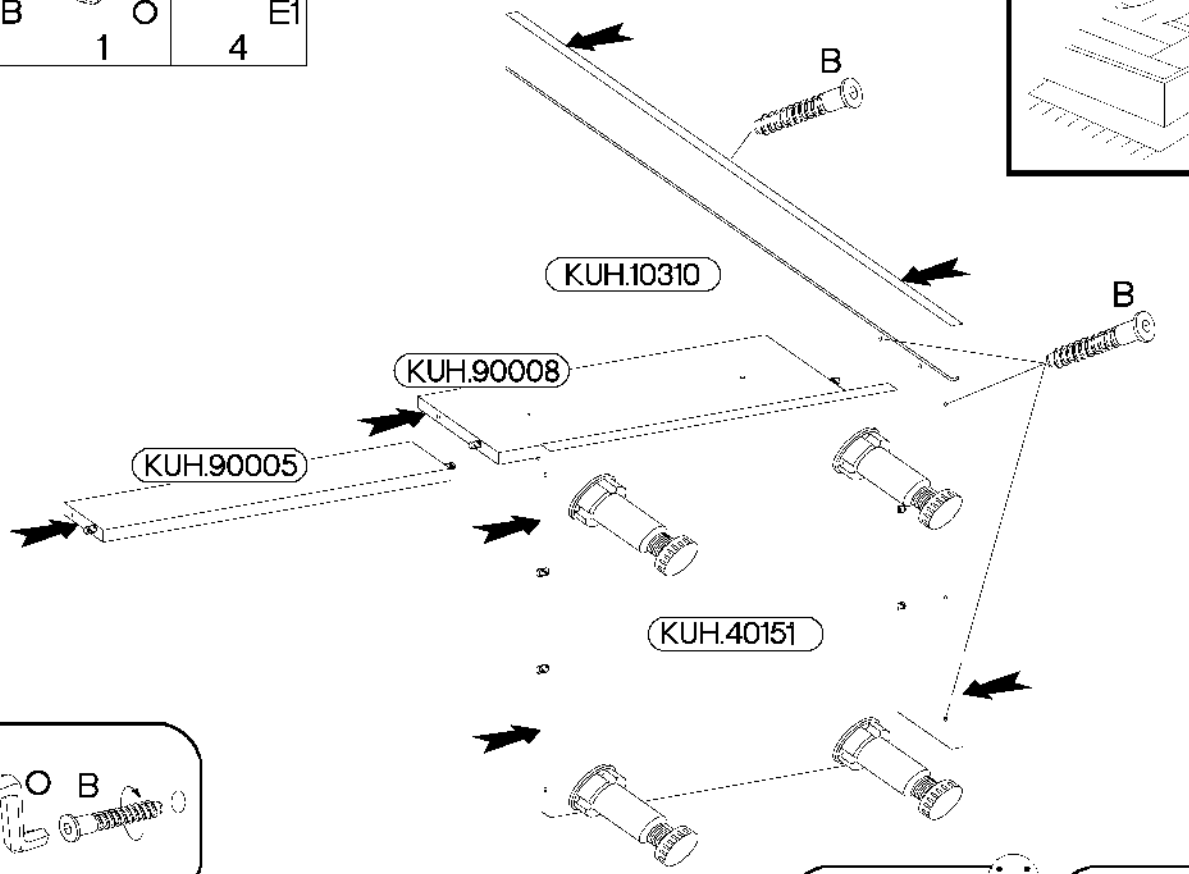
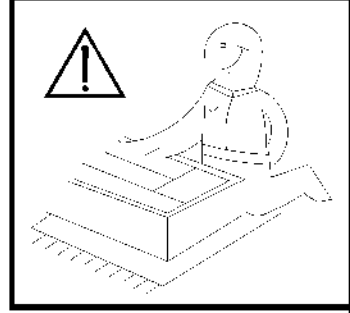
O

1

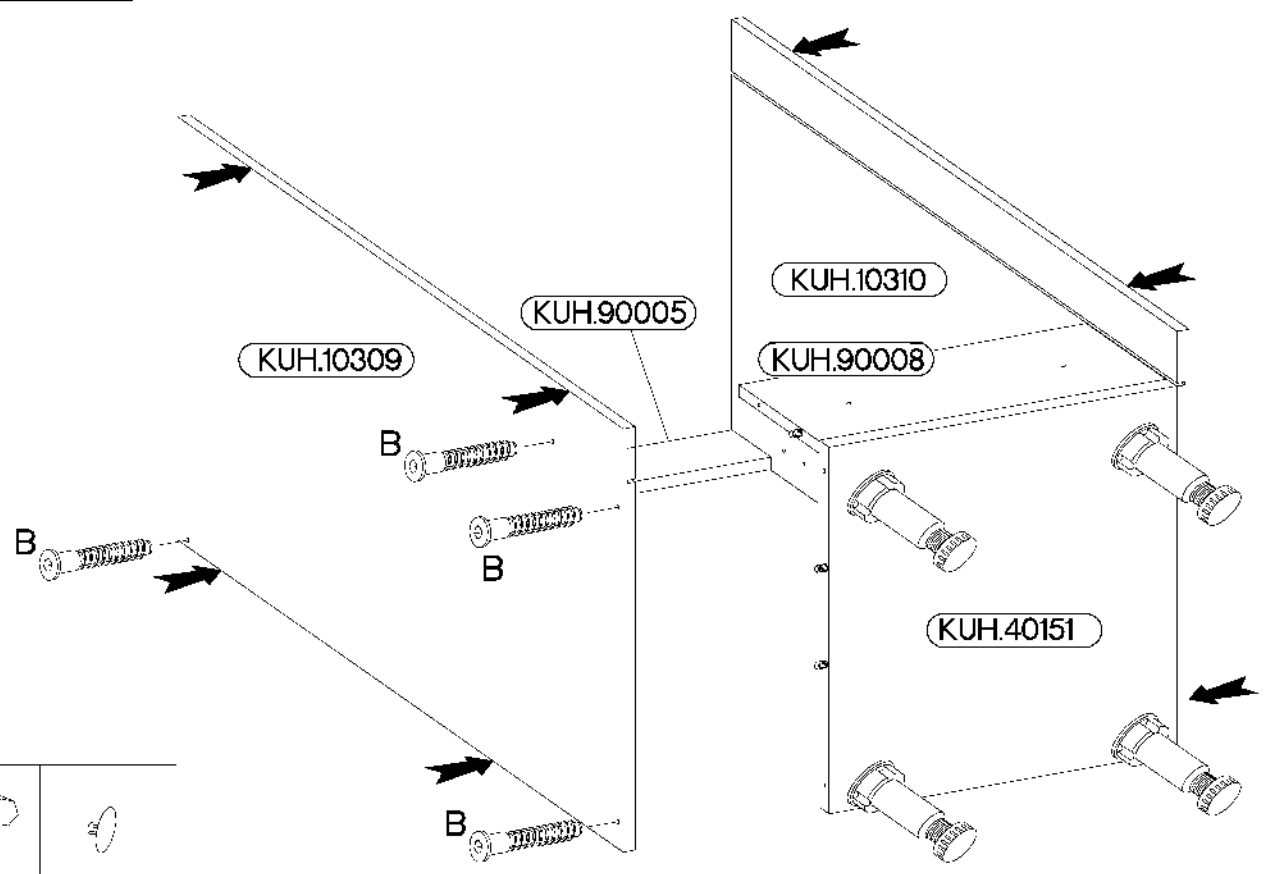
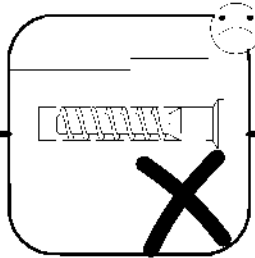
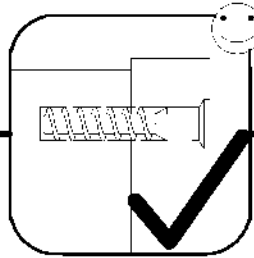
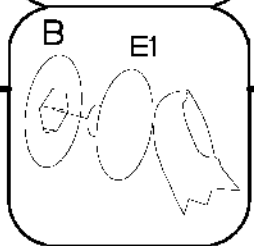
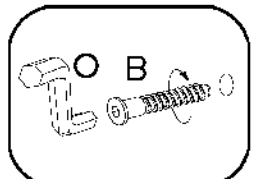


E1

4



5

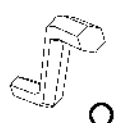


6,4 x 50mm



B

4



O

1



E1

4



**6**

±3.5x13mm



P5

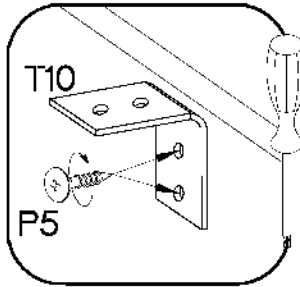
8



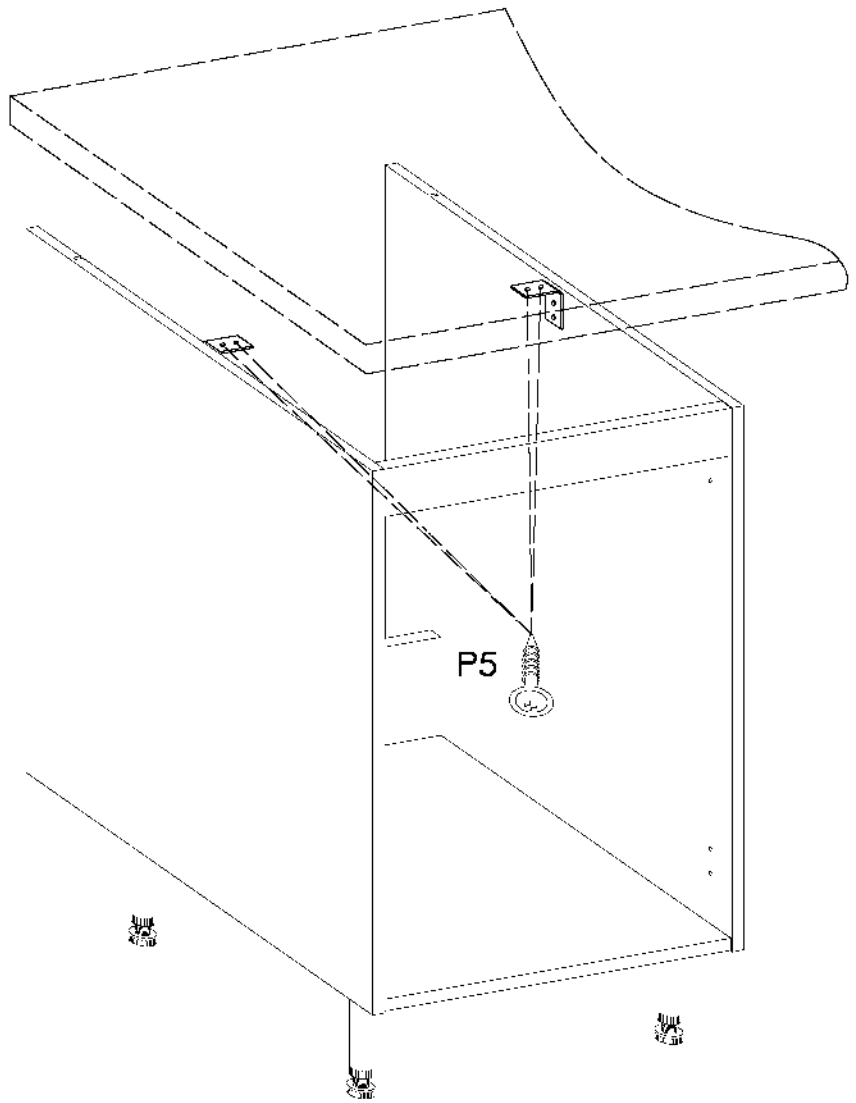
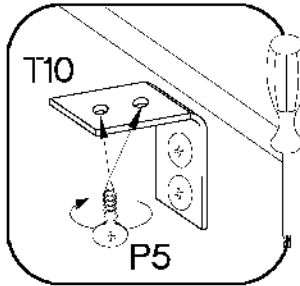
T10

2

1.



2.

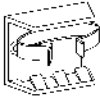
**7**

±3.5x13mm



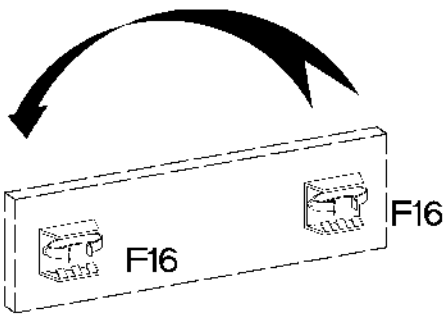
P5

4

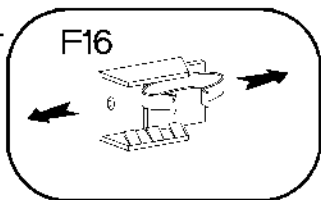


F16

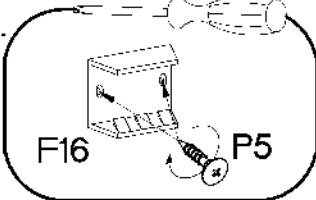
2



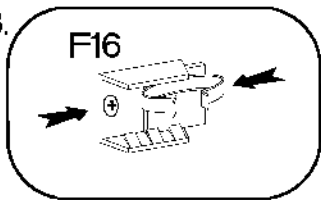
1.



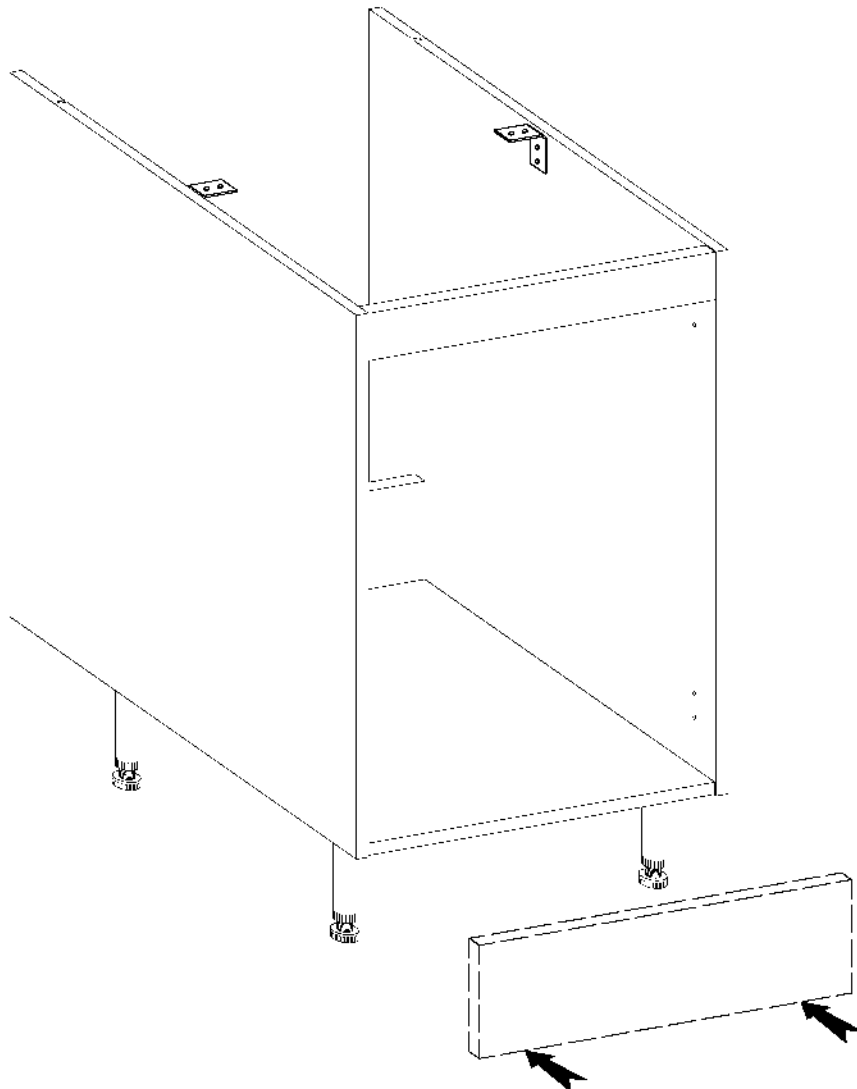
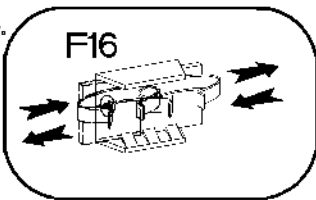
2.





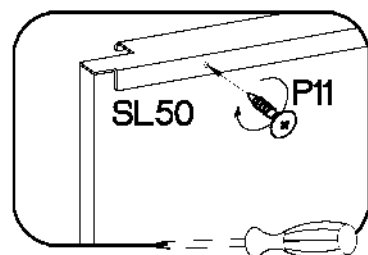
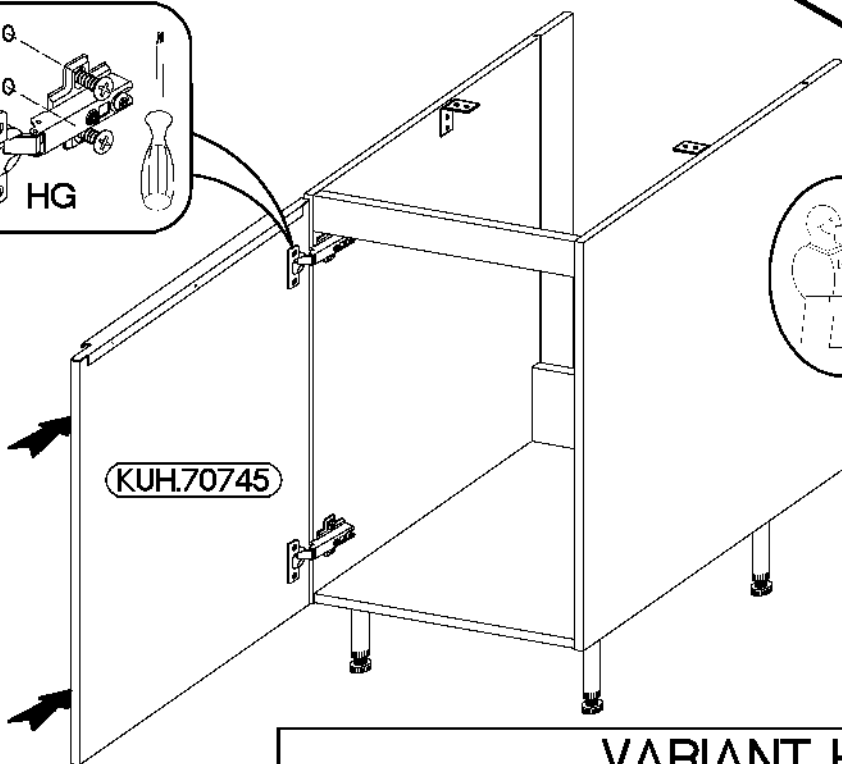
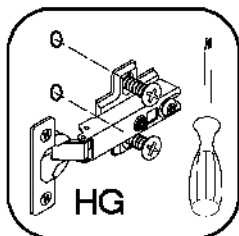
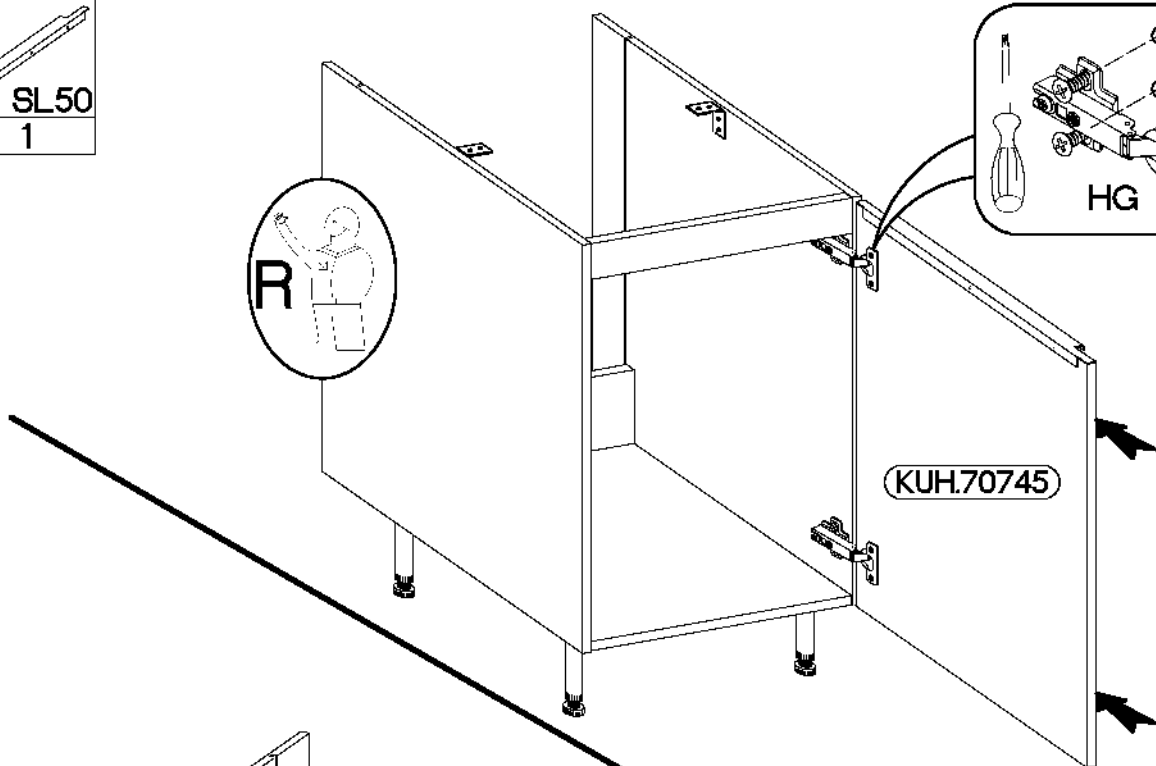
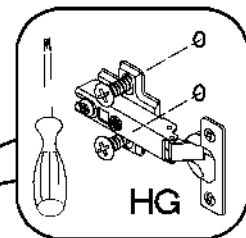
3.



4.

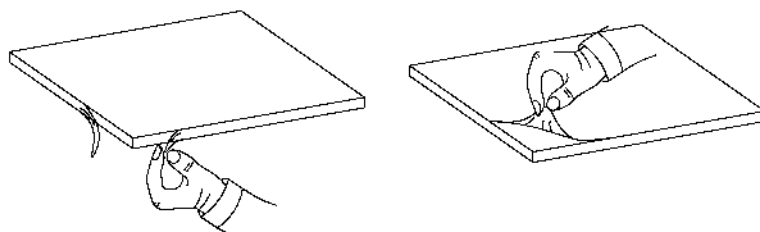


|  |  |
|--|--|
| ∅3.0x16mm  | L=495mm  |
|  |  |
| P11  | SL50   |
| 3  | 1  |



## VARIANT HIGH GLOSS

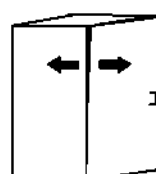
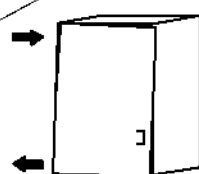
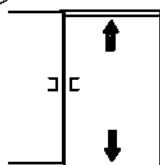
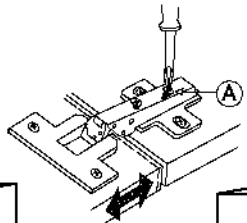
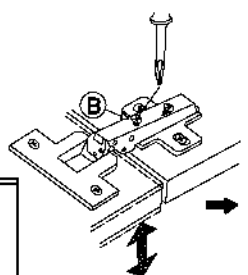
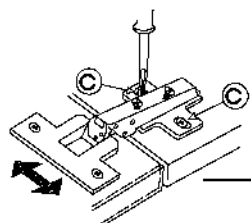
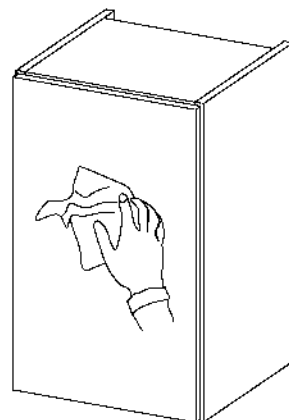
1.

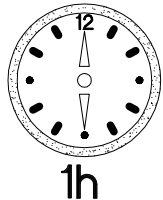
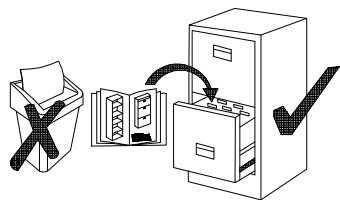
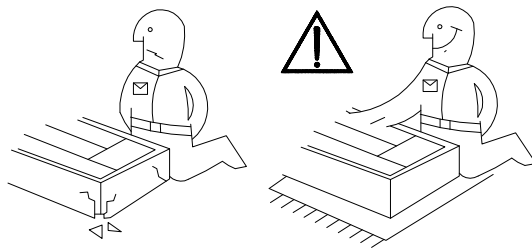
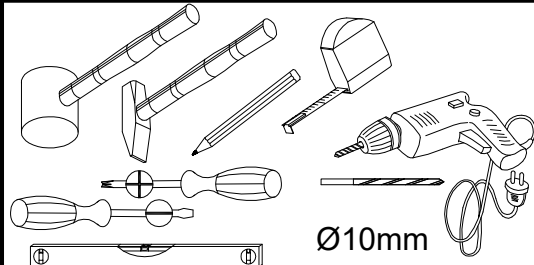
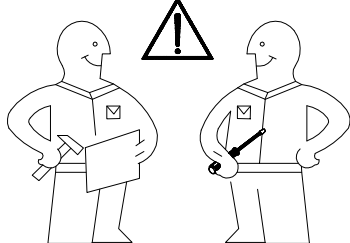


2.



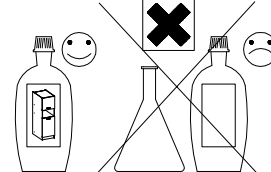
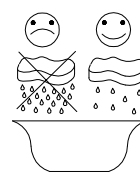
3.



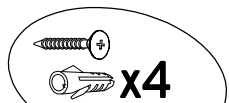
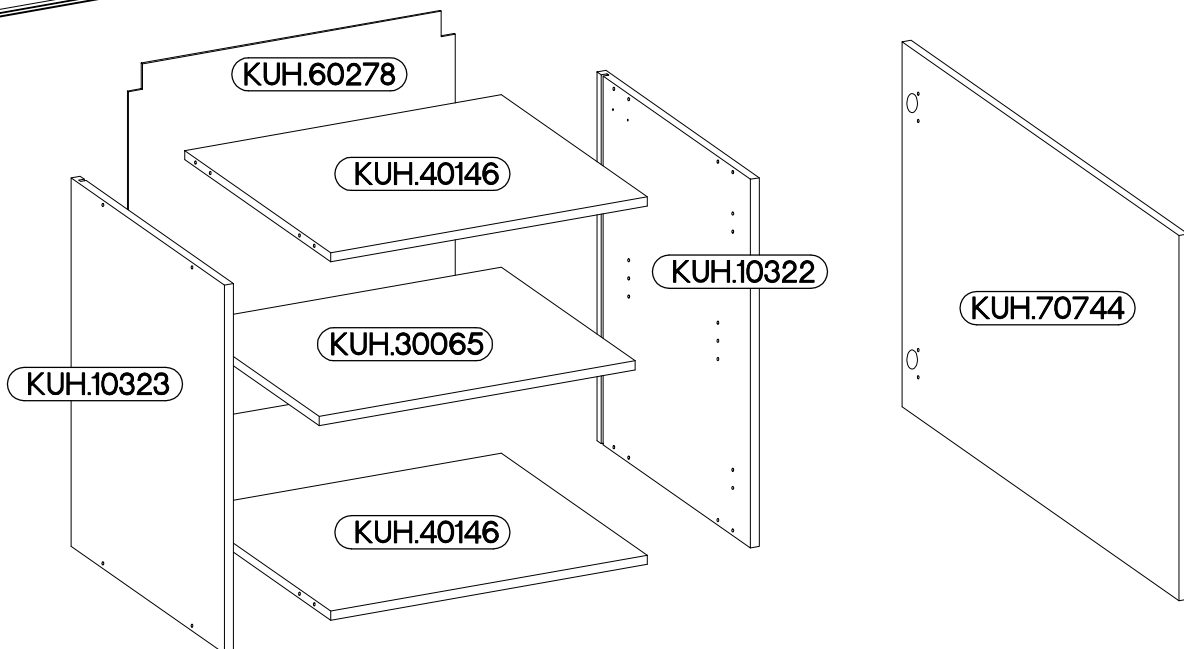
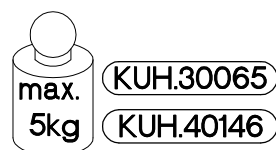
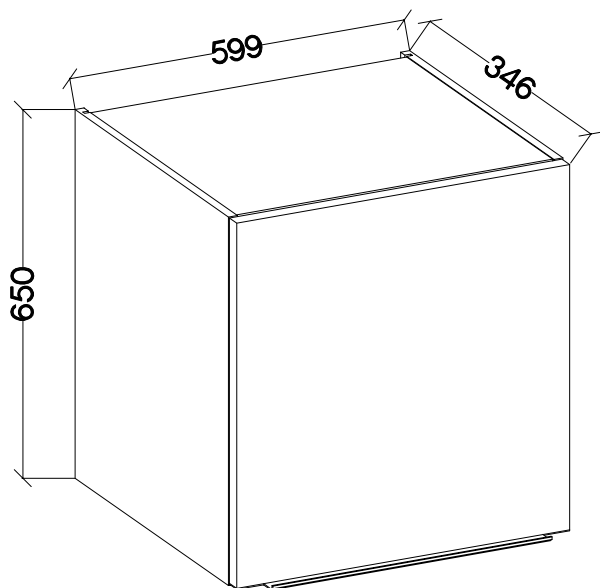


SAFADO / MARLEEN

84-170-...  
84-176-...  
84-17E-...



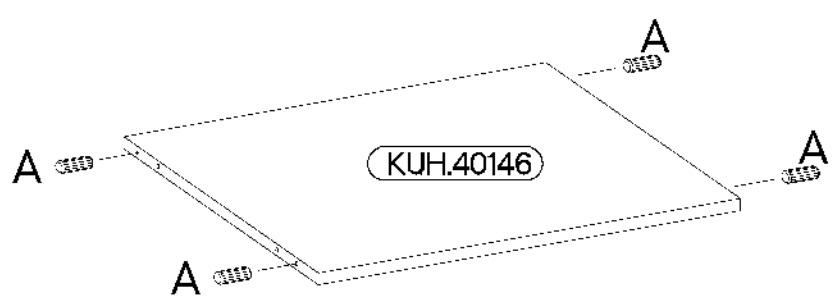
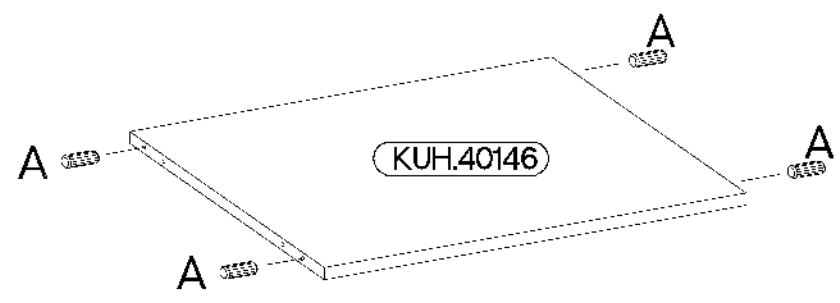
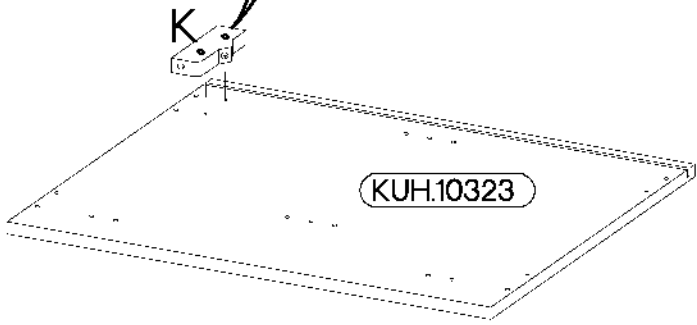
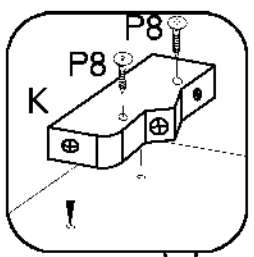
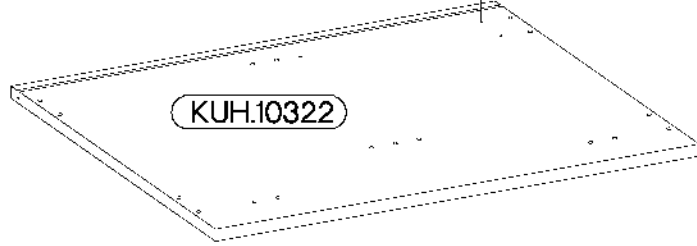
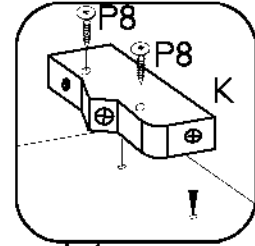
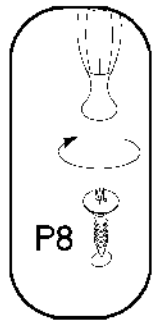
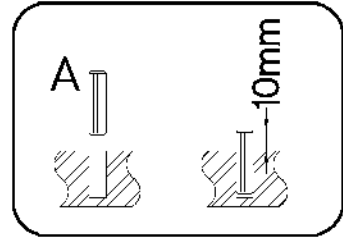
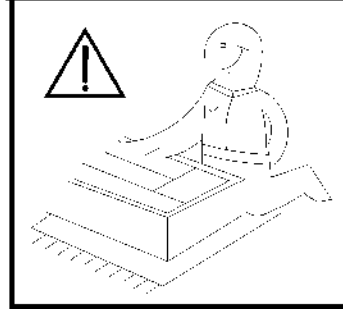
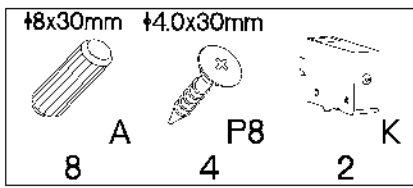
respekta®



|                   |                    |                        |                    |                     |                   |                      |
|-------------------|--------------------|------------------------|--------------------|---------------------|-------------------|----------------------|
| <br><b>A</b><br>8 | <br><b>B</b><br>8  | <br><b>E1</b><br>8     | <br><b>HG</b><br>2 | <br><b>J3</b><br>4  | <br><b>K</b><br>2 | <br><b>K16</b><br>2  |
| <br><b>O</b><br>1 | <br><b>P5</b><br>4 | <br><b>P7</b><br>10-15 | <br><b>P8</b><br>4 | <br><b>P11</b><br>4 | <br><b>R</b><br>2 | <br><b>SL60</b><br>1 |

| Colli     | Spare Part   | Dimension   |
|-----------|--------------|-------------|
| Colli 5/6 | KUH.10322    | 650x330x16  |
|           | KUH.10323    | 650x330x16  |
|           | KUH.30065    | 566x288x16  |
|           | KUH.40146 x2 | 567x314x16  |
|           | KUH.60278    | 646x585x2,5 |
|           | KUH.70744    | 644x596x16  |

ISM-KUH-01604



2

6,4 x 50mm



4

B



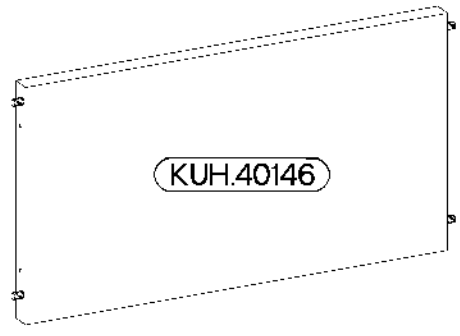
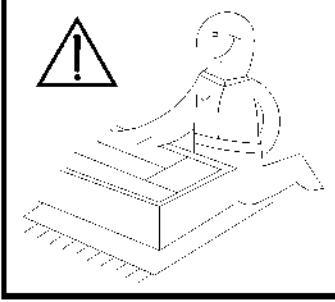
1

O

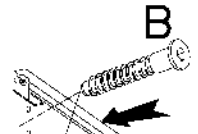


4

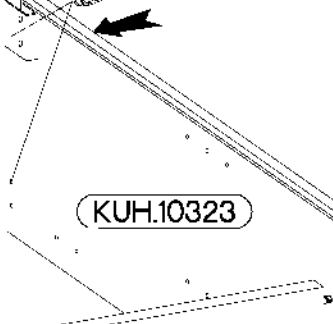
E1



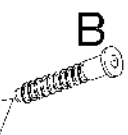
KUH.40146



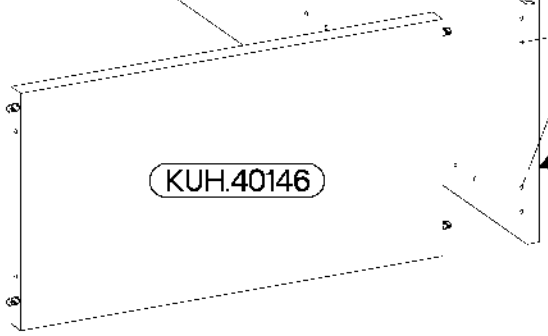
B



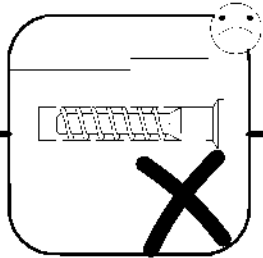
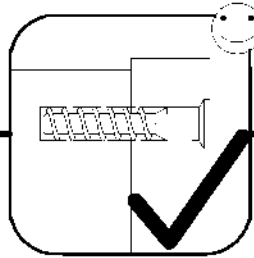
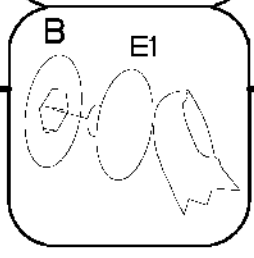
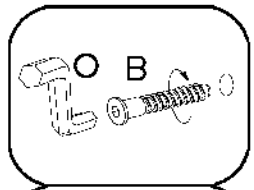
KUH.10323



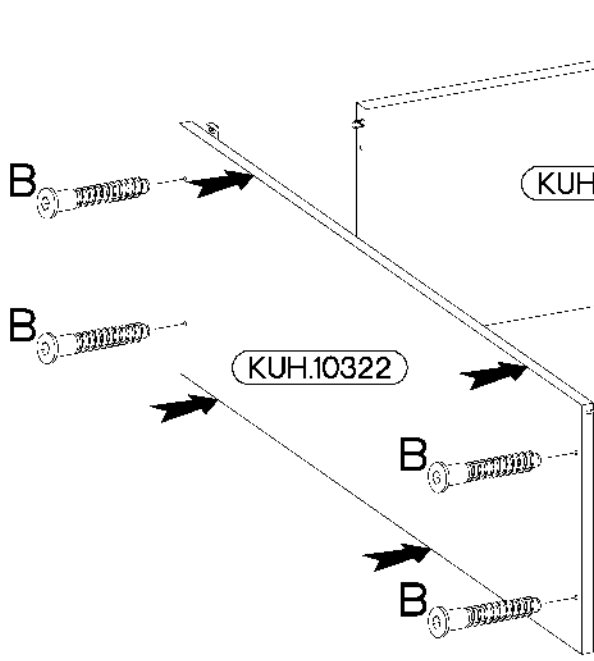
B



KUH.40146

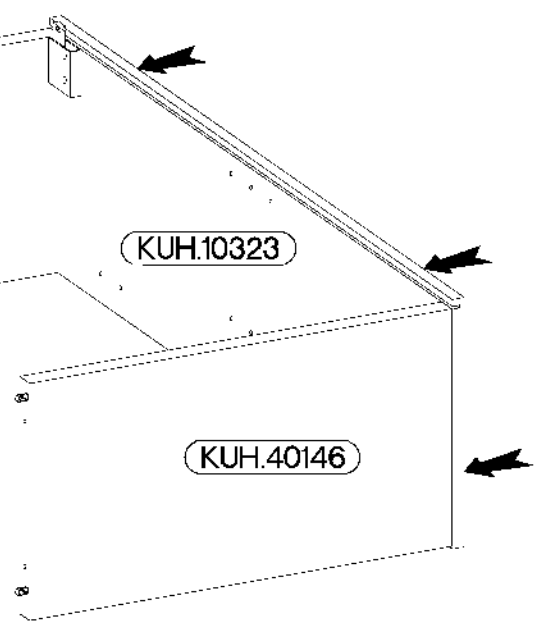


3



KUH.40146

KUH.10322



KUH.10323

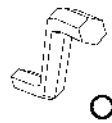
KUH.40146

6,4 x 50mm



4

B



1

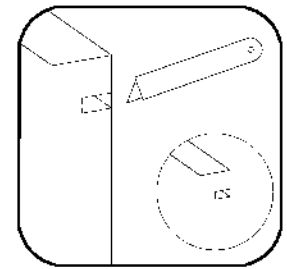
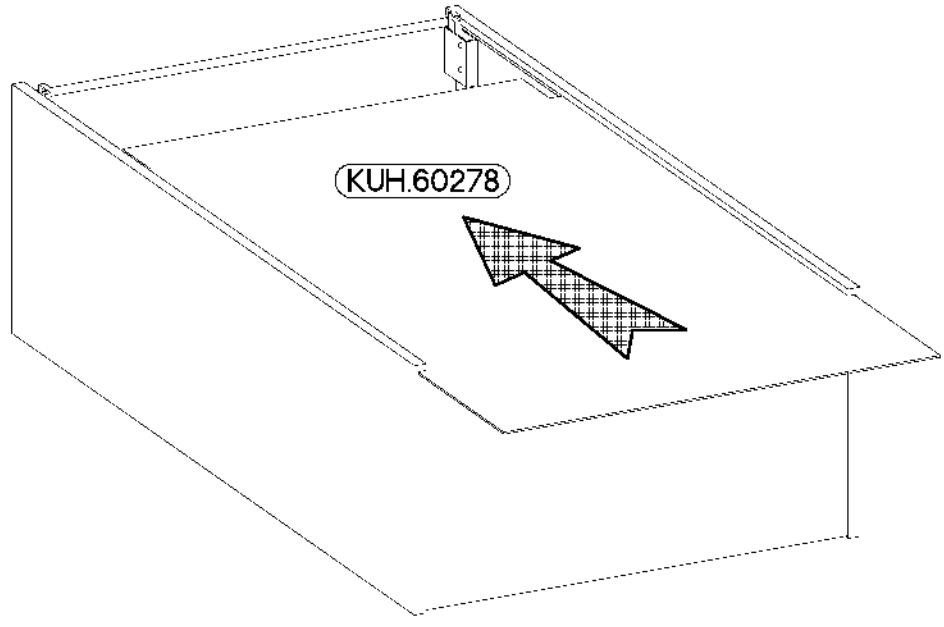
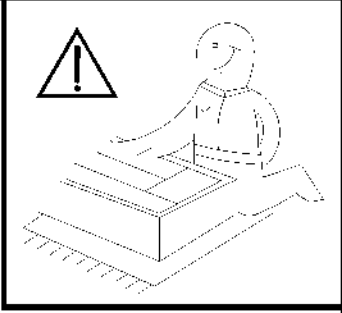
O



4

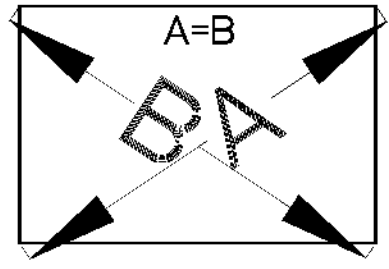
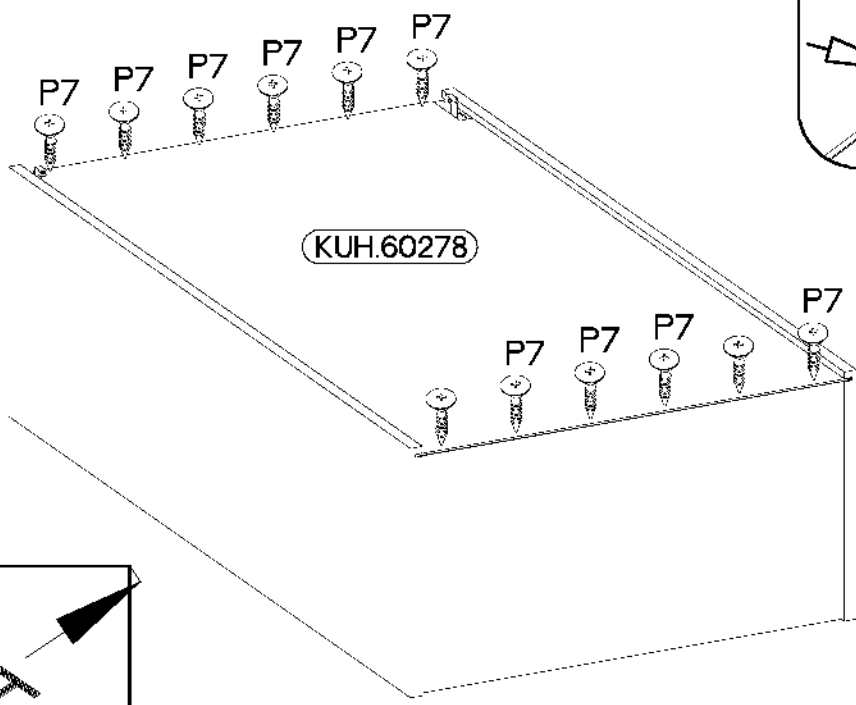
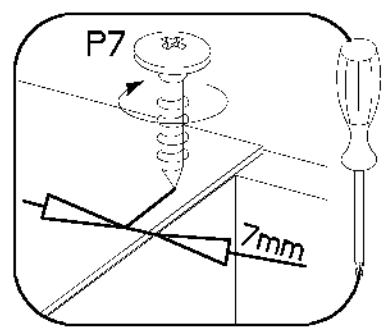
E1

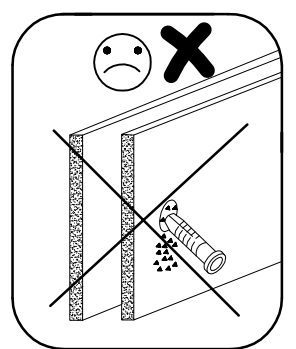
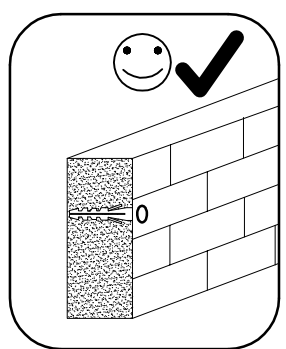
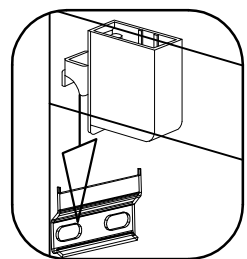
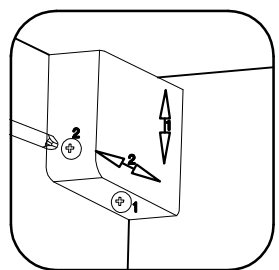
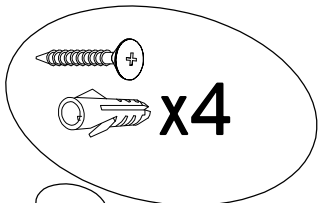
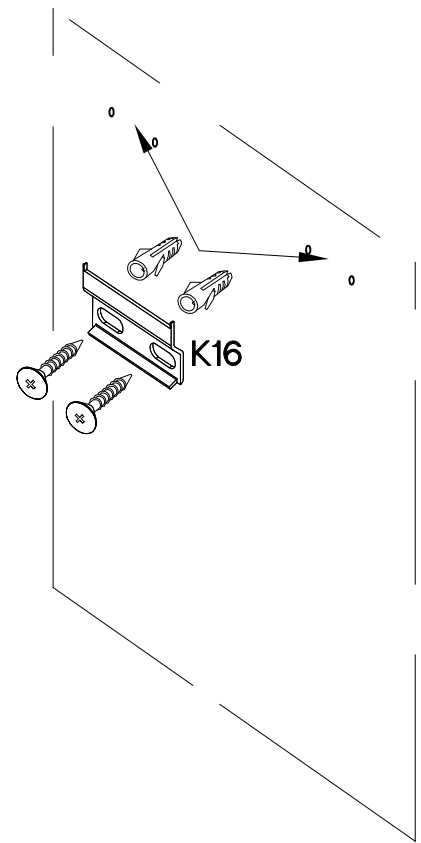
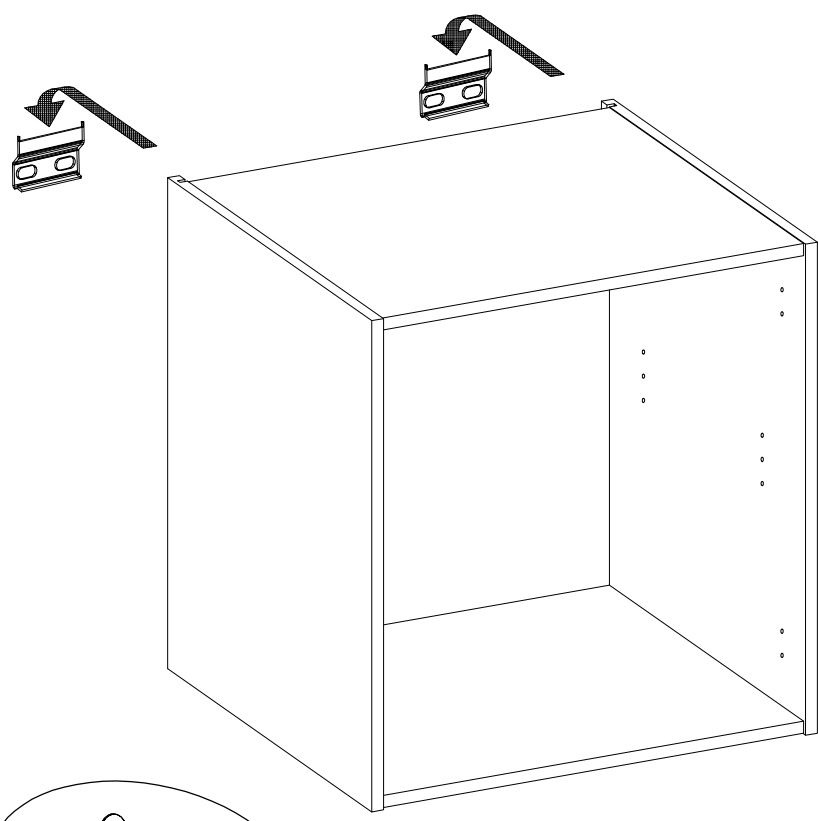
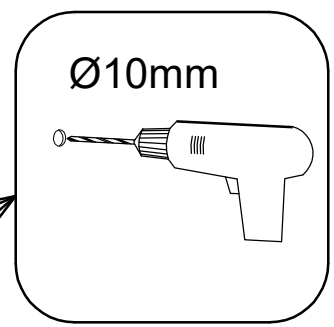
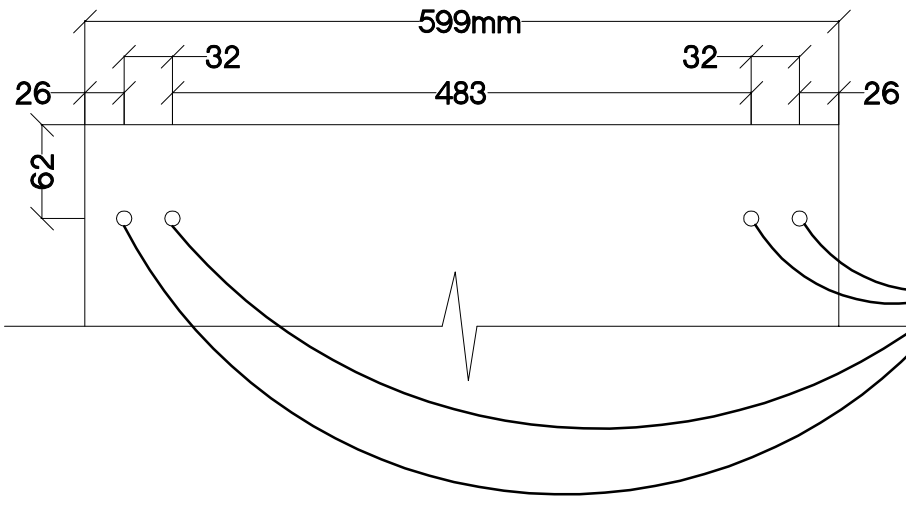
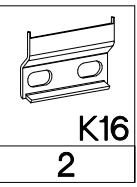
4



5

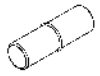
±3.0x20mm  
P7  
10-15





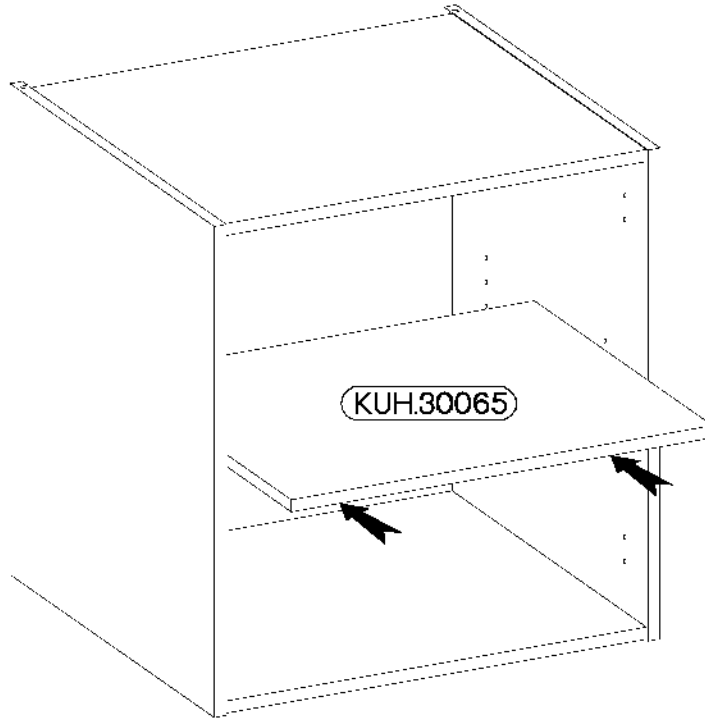
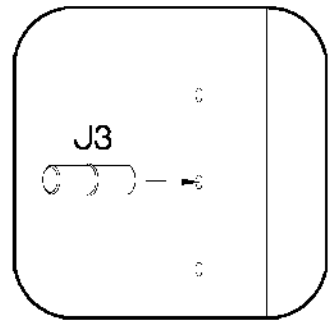


±5/16mm



J3

4



8

±35/0mm

±3.5x13mm



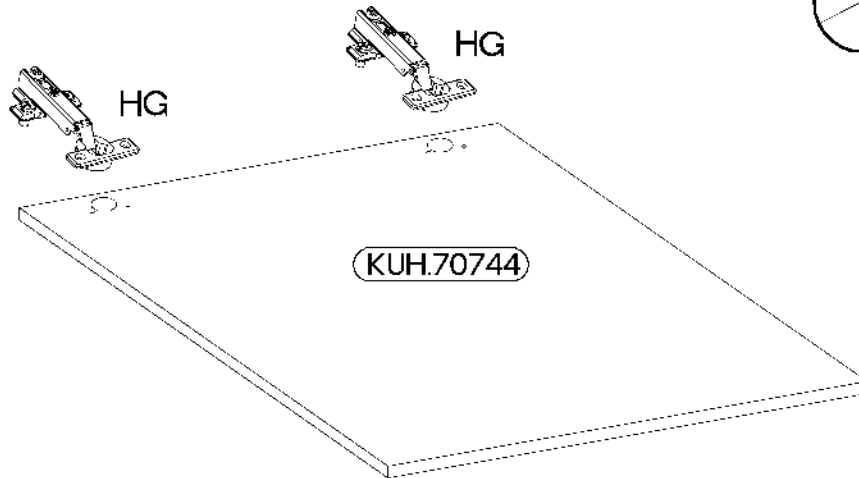
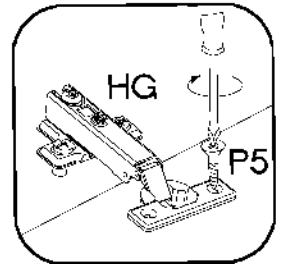
HG

2




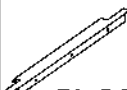
P5

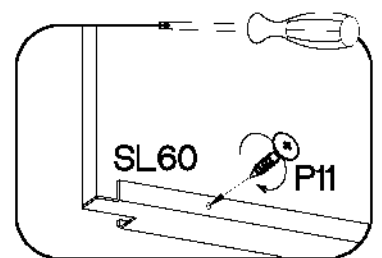
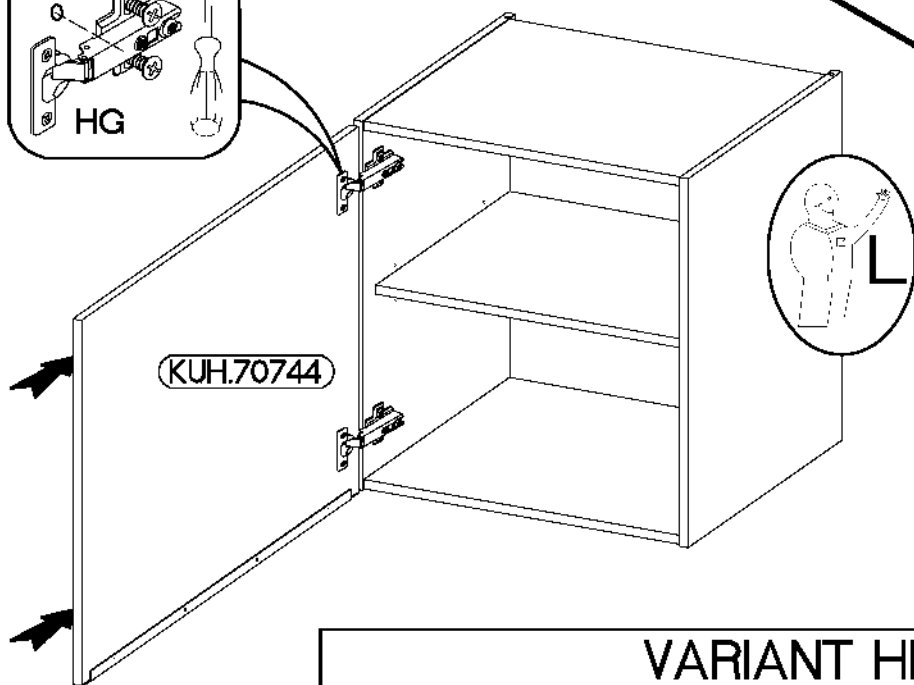
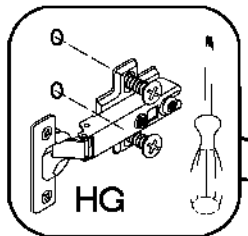
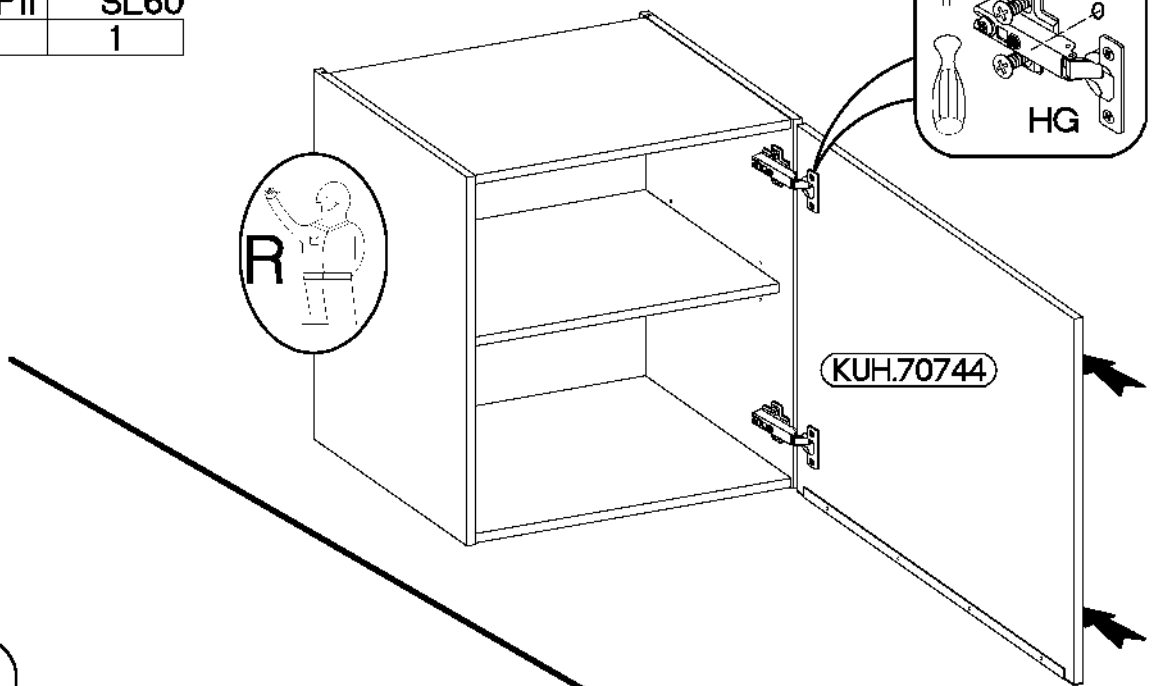
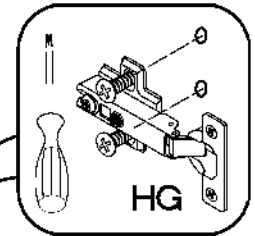
4



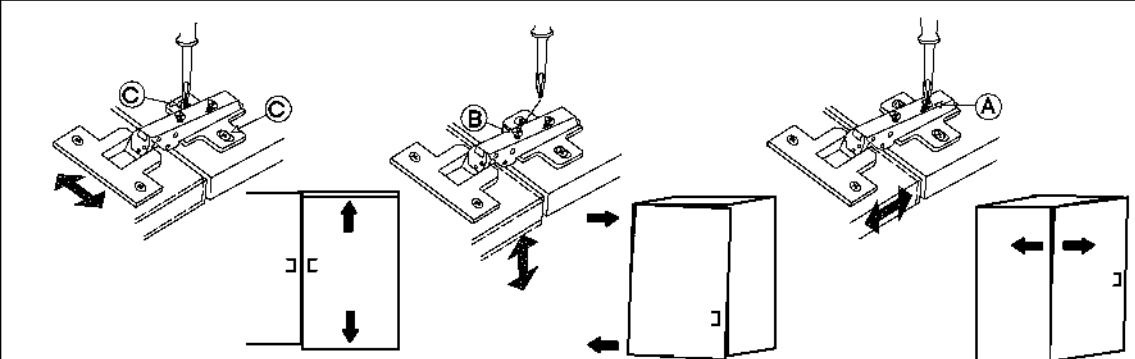
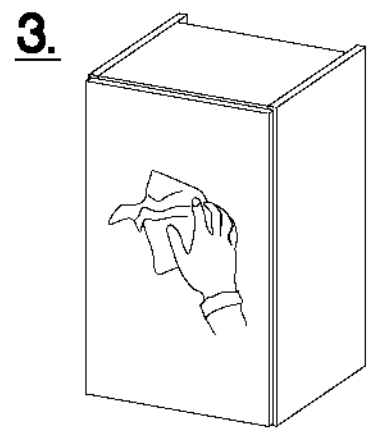
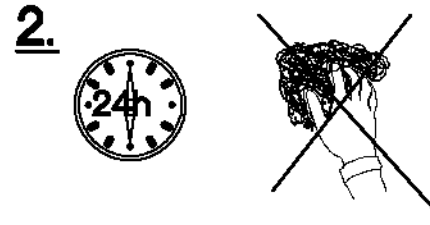
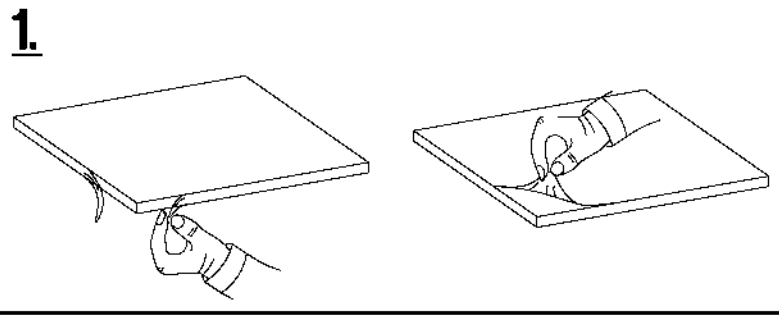


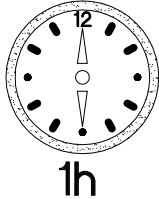
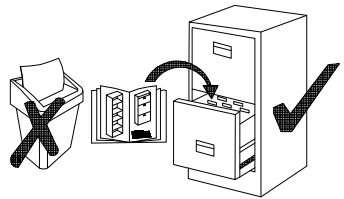
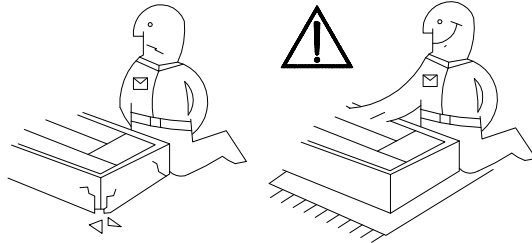
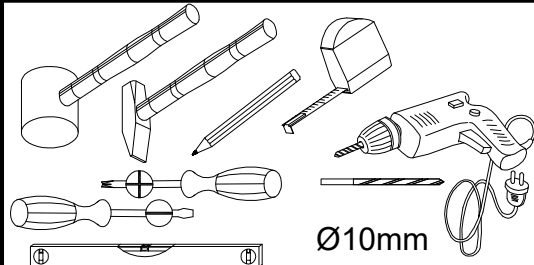
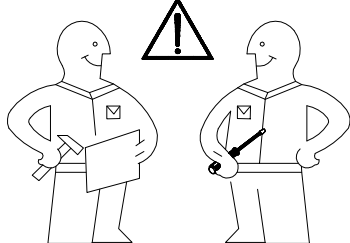
9

|  |  |
|--|--|
| 3.0x16mm   | L=595mm  |
|  |  |
| P11  | SL60   |
| 4  | 1  |



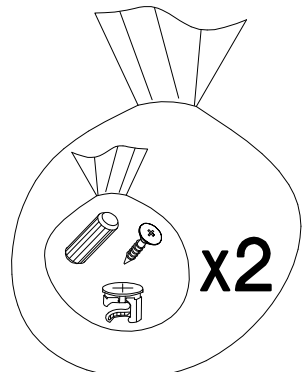
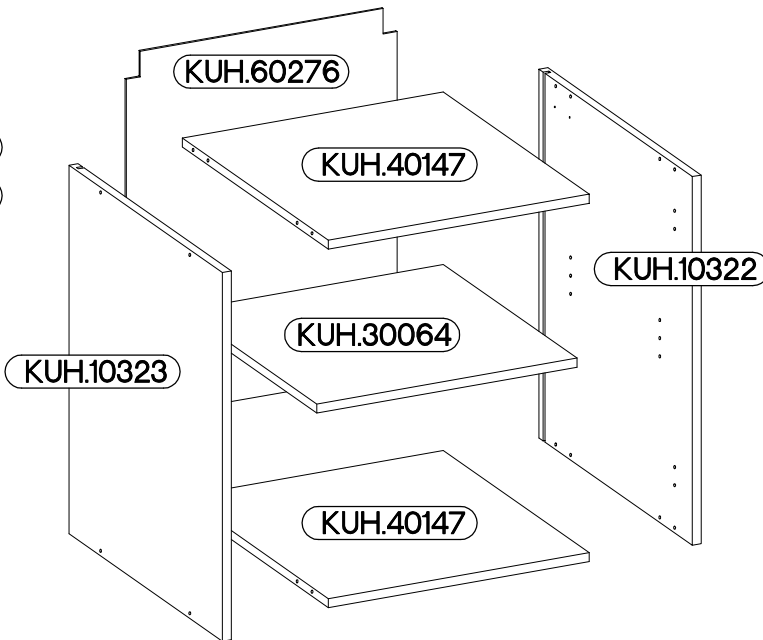
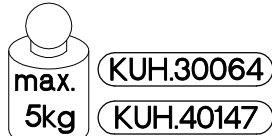
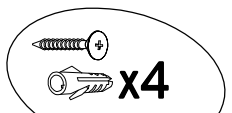
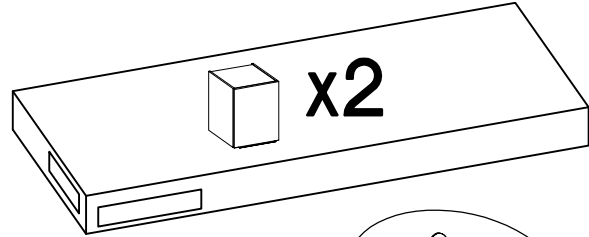
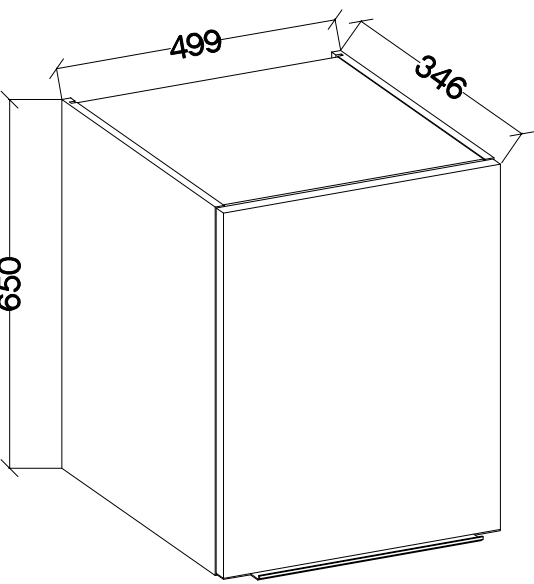
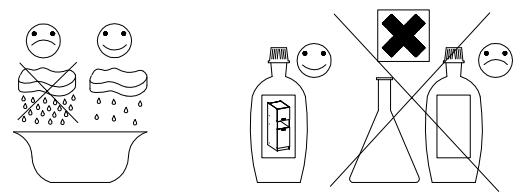
VARIANT HIGH GLOSS





**SAFADO / MARLEEN**

84-170-...  
84-176-...  
84-17D-...

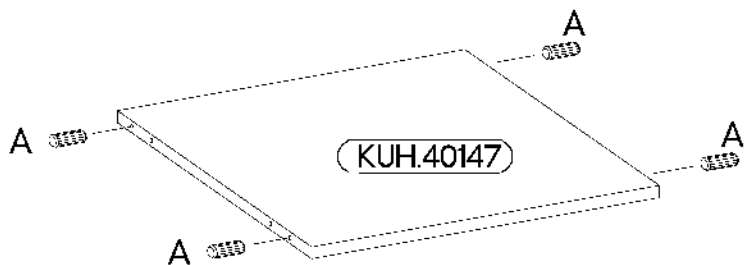
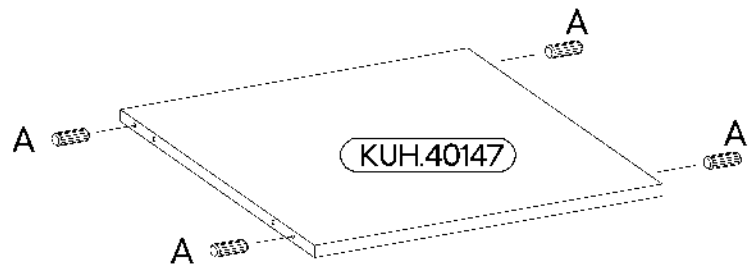
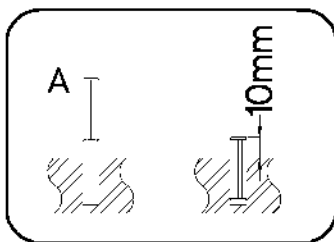
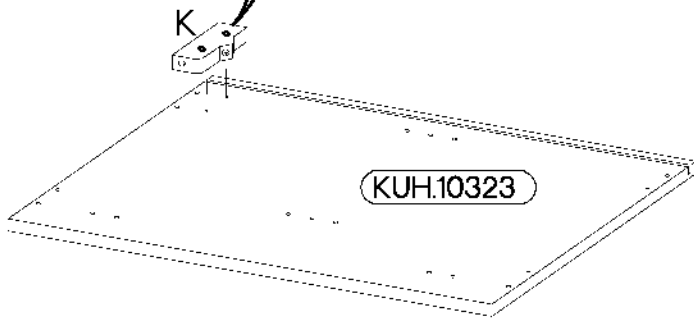
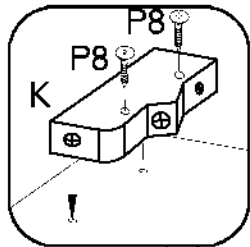
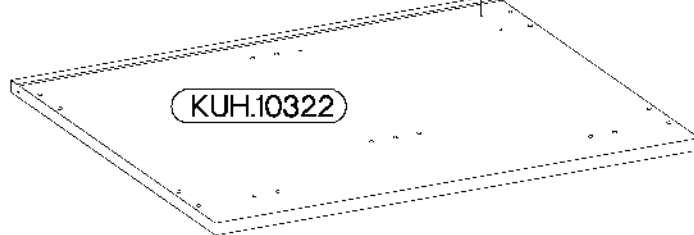
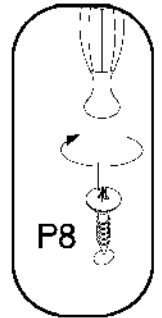
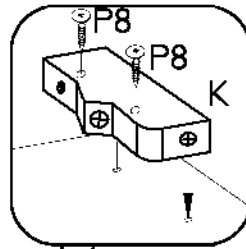
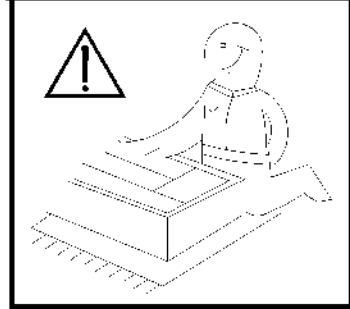
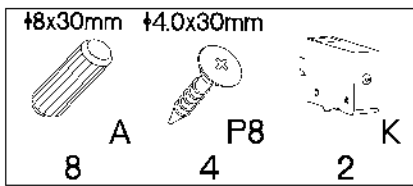


|            |          |           |           |           |            |             |
|------------|----------|-----------|-----------|-----------|------------|-------------|
| <b>A</b>   | <b>B</b> | <b>E1</b> | <b>HG</b> | <b>J3</b> | <b>K</b>   |             |
| 8          | 8        | 8         | 2         | 4         | 2          |             |
| <b>K16</b> | <b>O</b> | <b>P5</b> | <b>P7</b> | <b>P8</b> | <b>P11</b> | <b>SL50</b> |
| 2          | 1        | 4         | 8-10      | 4         | 3          | 1           |

| Colli     | Spare Part   | Dimension   |
|-----------|--------------|-------------|
| Colli 4/6 | KUH.10322    | 650x330x16  |
|           | KUH.10323    | 650x330x16  |
|           | KUH.30064    | 466x288x16  |
|           | KUH.40147 x2 | 467x314x16  |
|           | KUH.60276    | 646x485x2,5 |
|           | KUH.70743    | 644x496x16  |

**x2**

**ISM-KUH-01605**



2

6,4 x 50mm



B

4



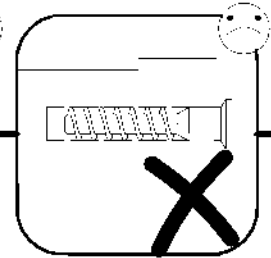
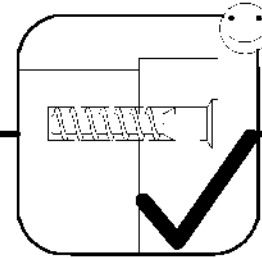
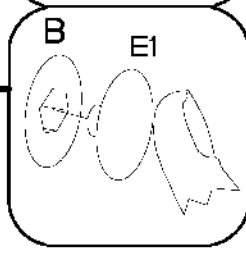
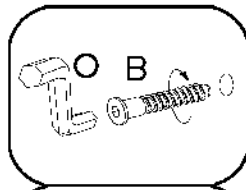
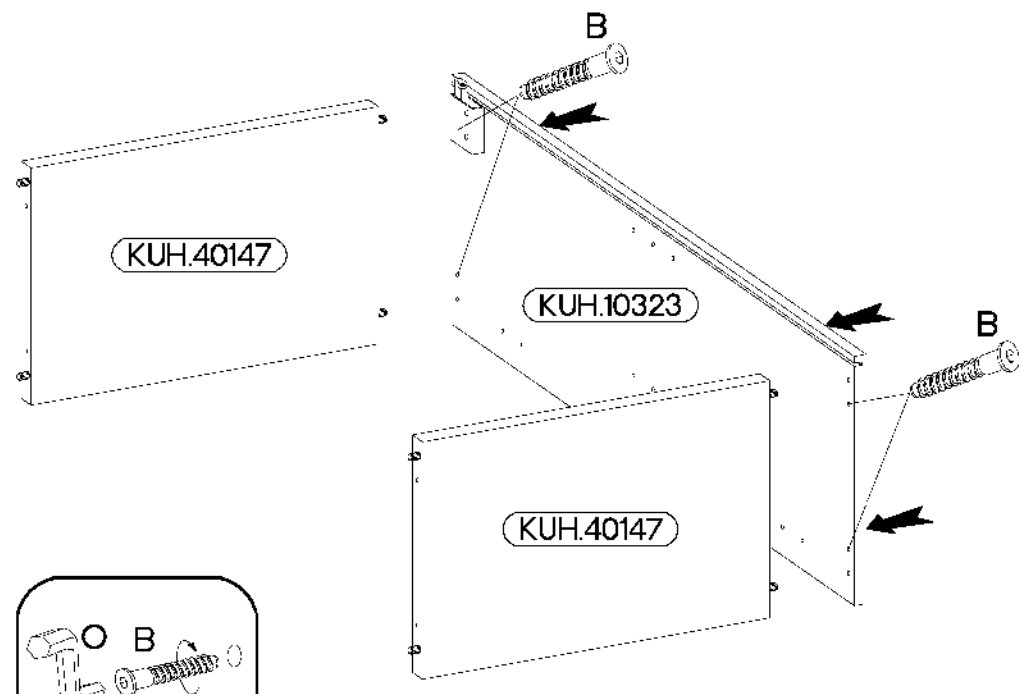
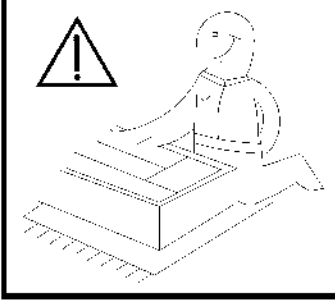
O

1

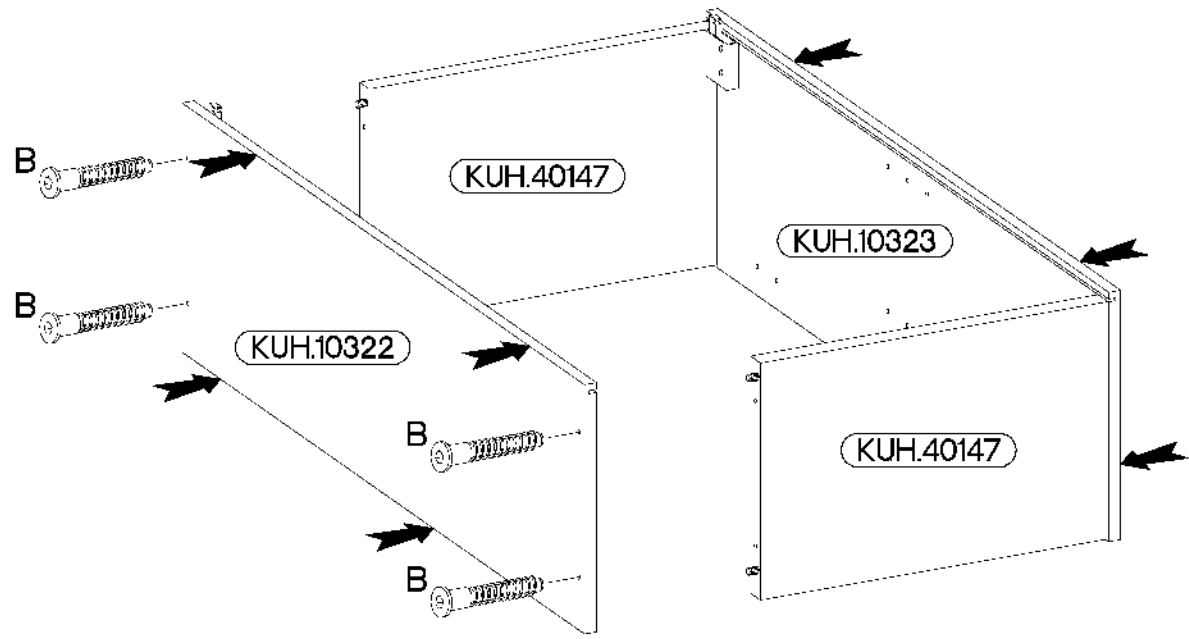


E1

4



3

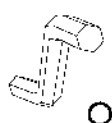


6,4 x 50mm



B

4



O

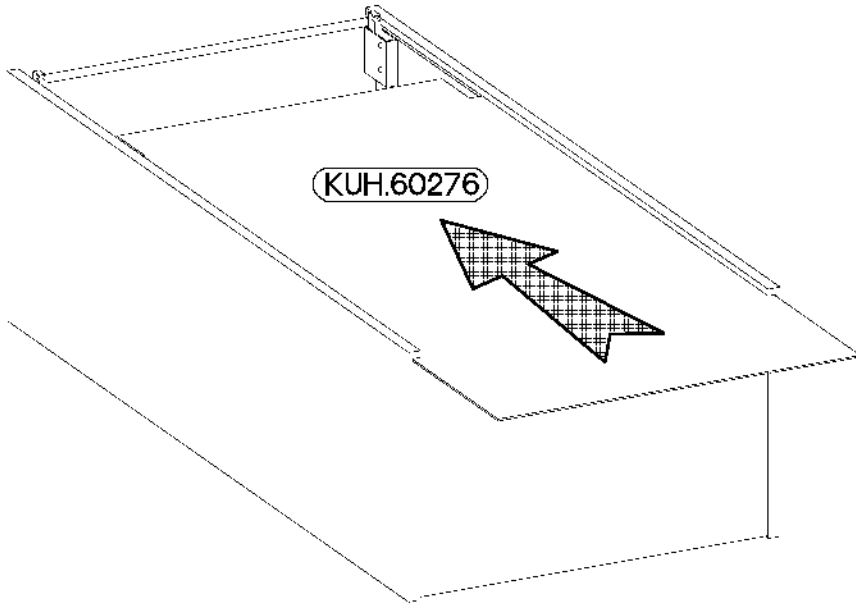
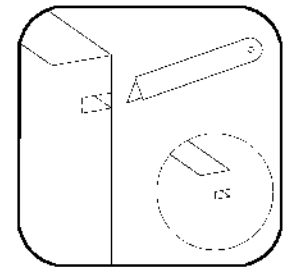
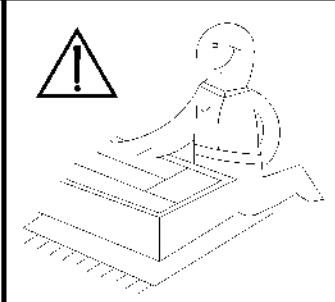
1



E1

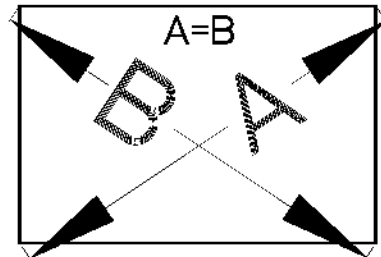
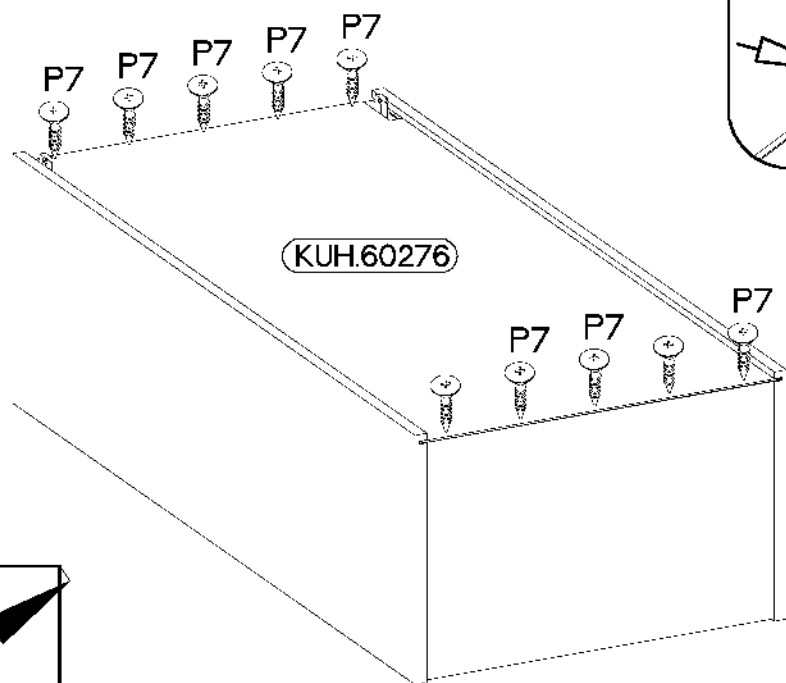
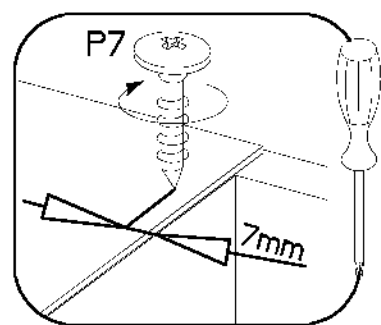
4

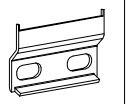
4



5

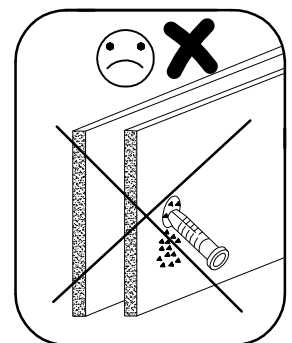
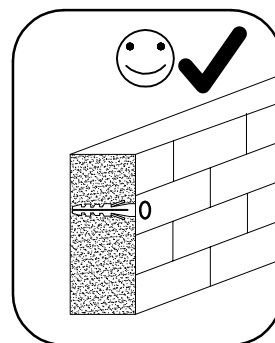
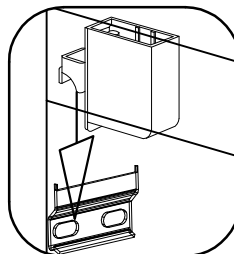
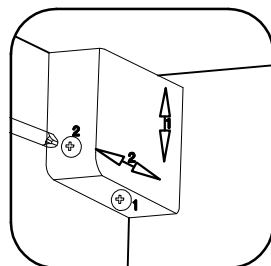
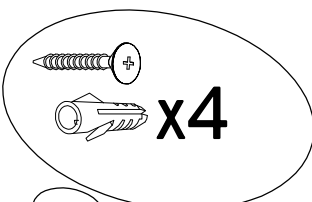
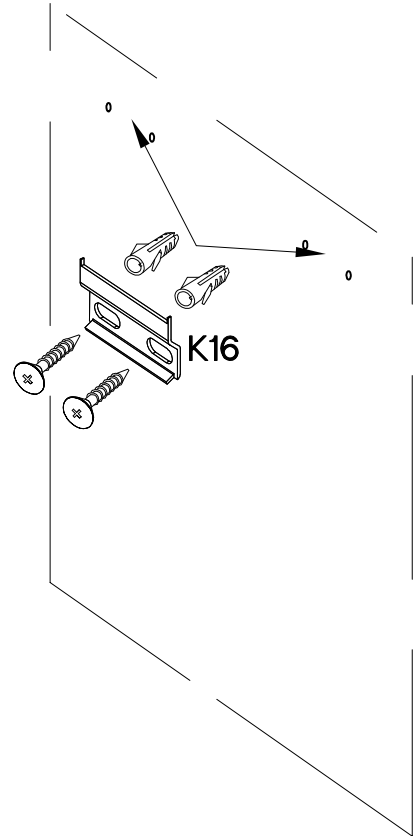
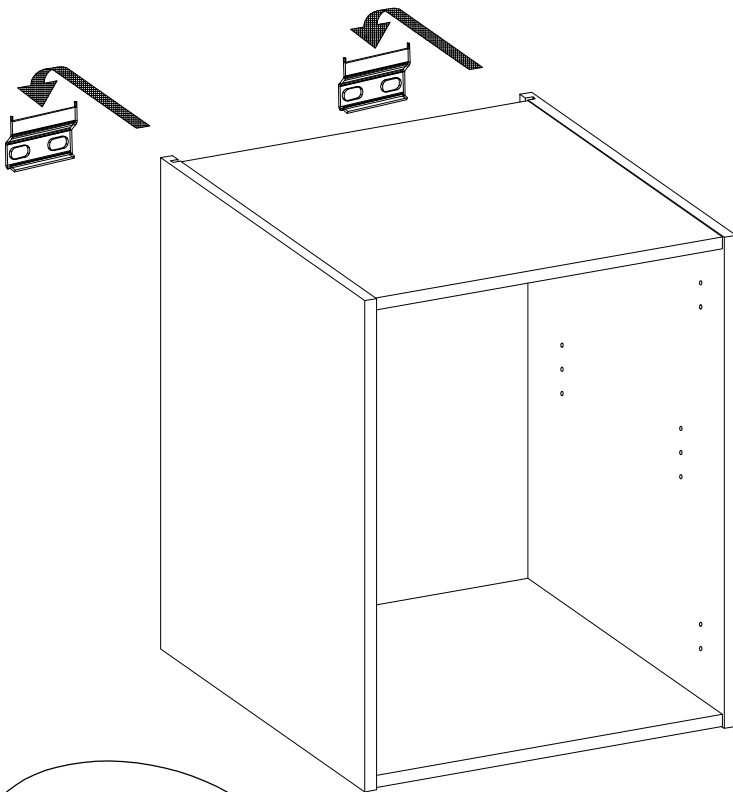
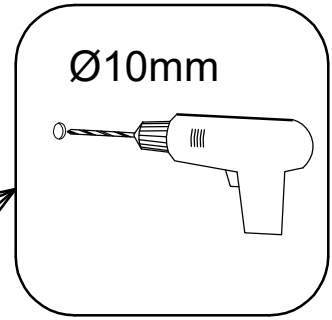
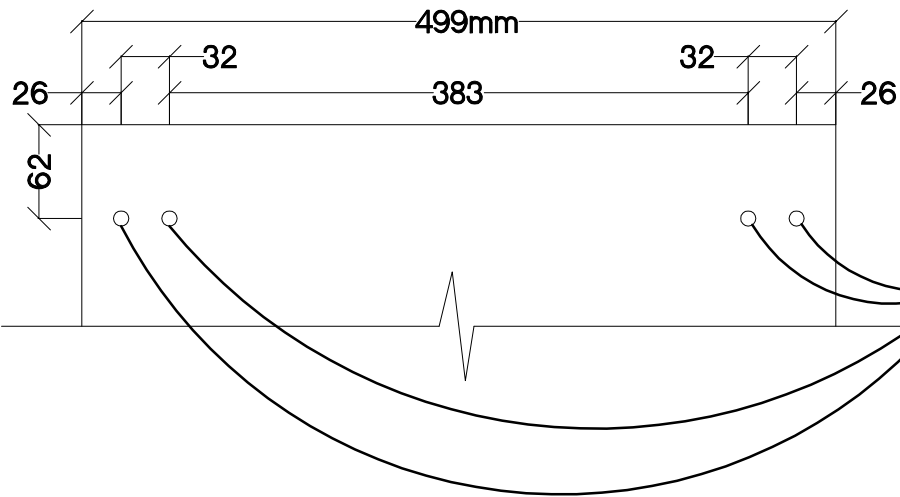
±3.0x20mm  
P7  
8-10





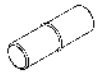
K16

2



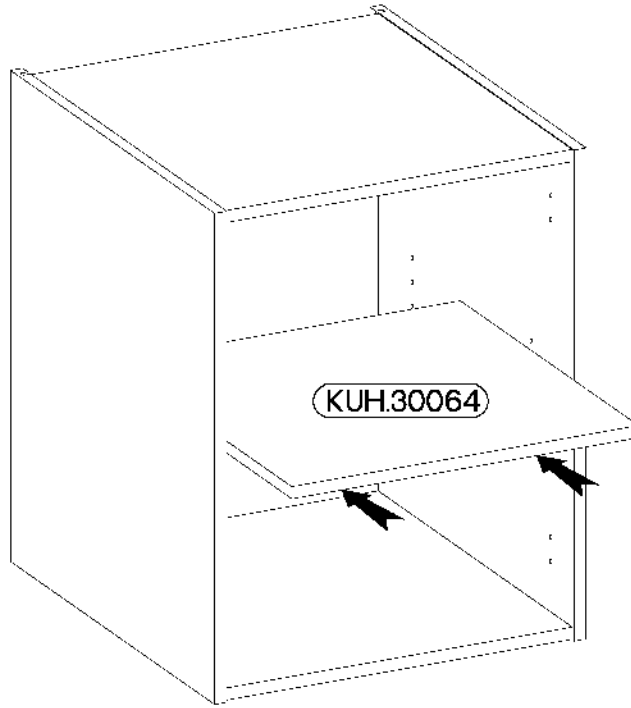
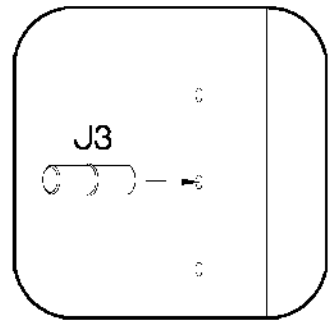


±5/16mm



J3

4



8

±35/0mm

±3.5x13mm



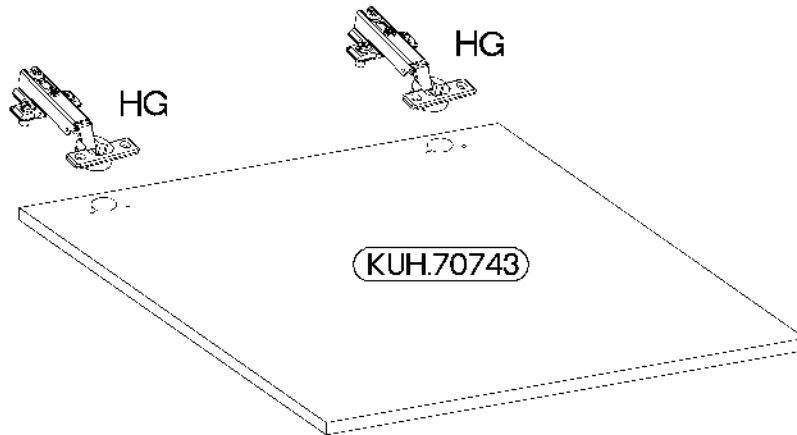
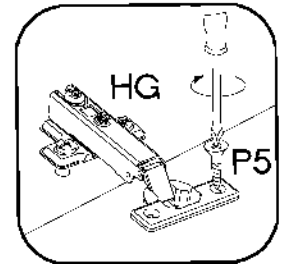
HG



2

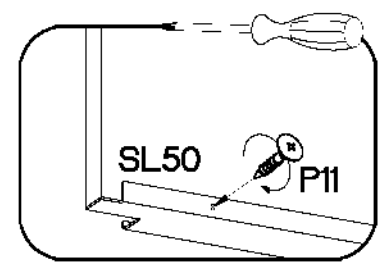
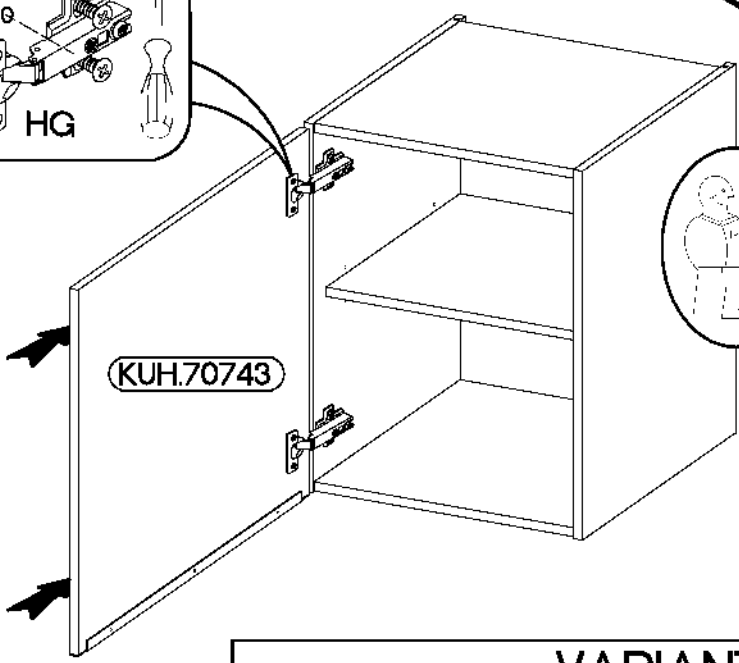
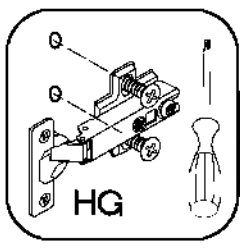
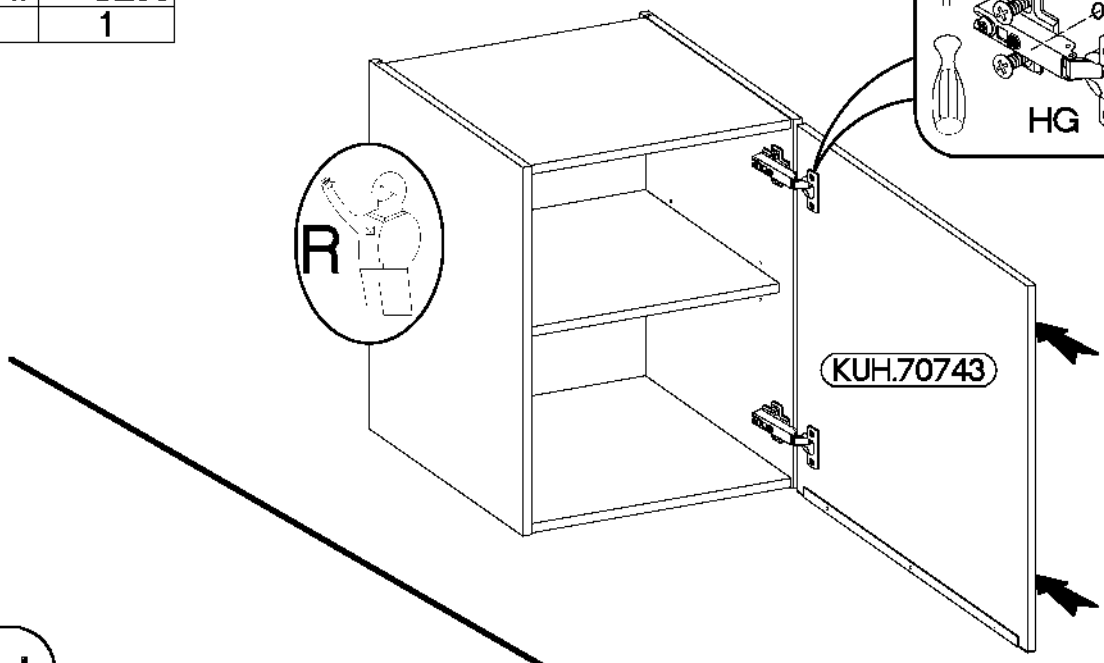
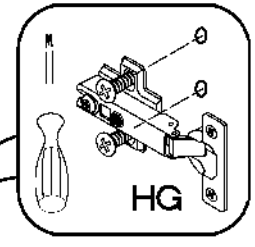
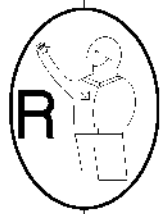


P5

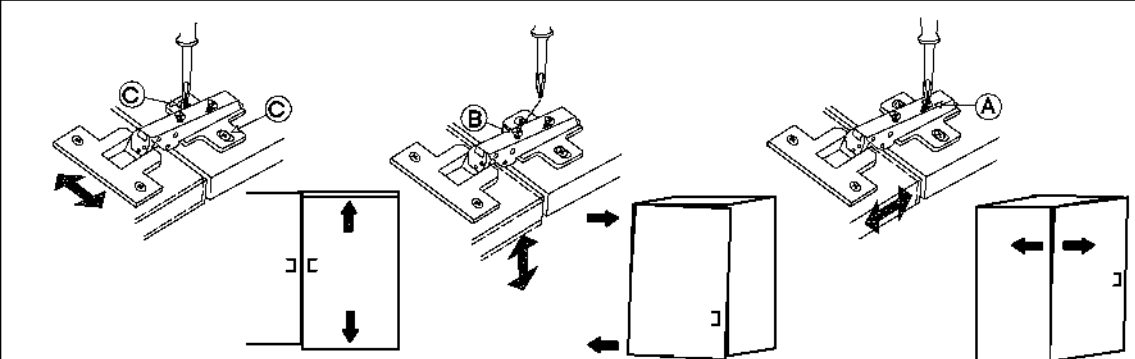
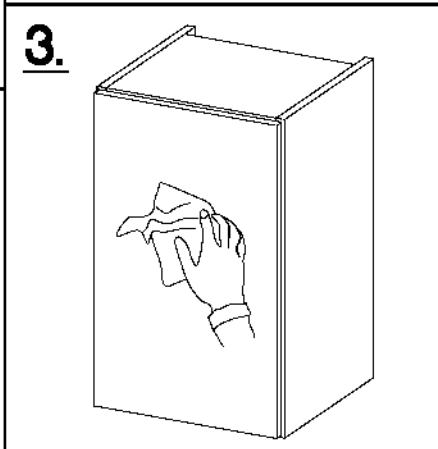
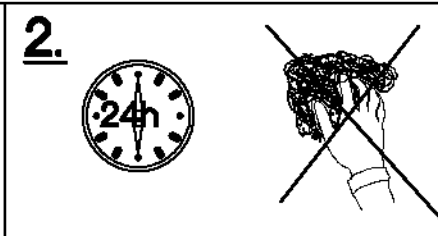
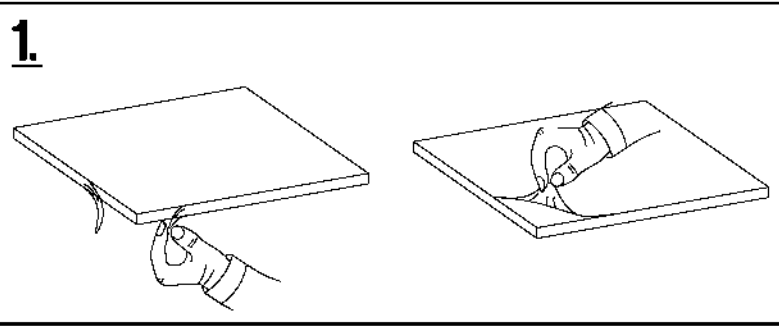
4



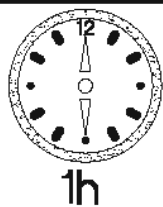
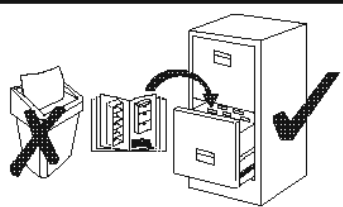
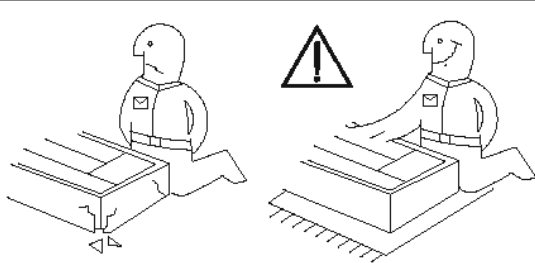
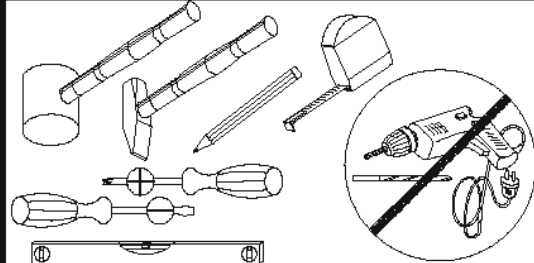
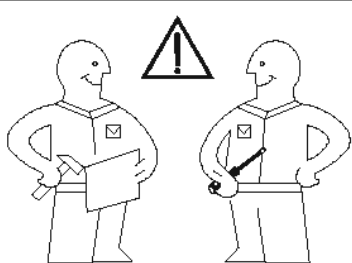
|  |  |
|--|--|
| ∅3.0x16mm  | L=495mm  |
|  |  |
| P11  | SL50   |
| 3  | 1  |



VARIANT HIGH GLOSS





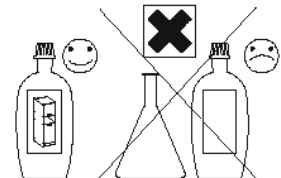


SAFADO / MARLEEN

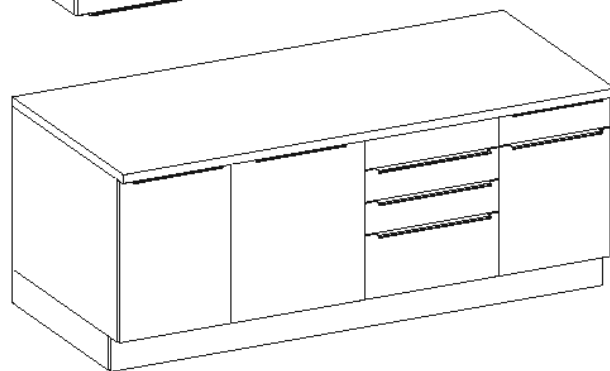
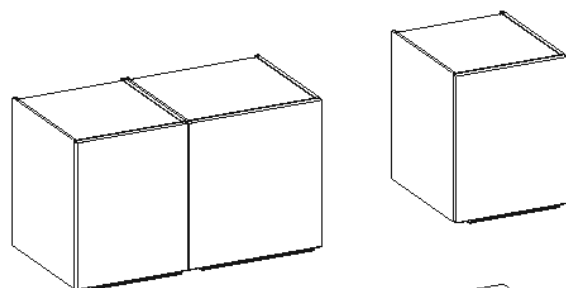
84-170-...

84-176-...

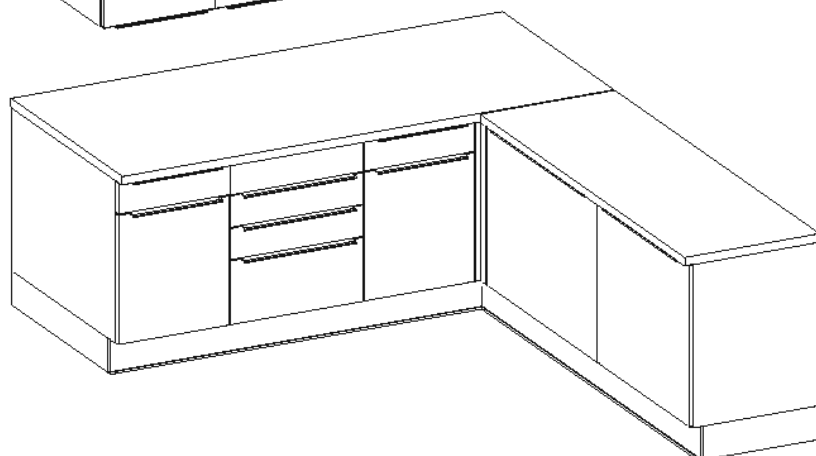
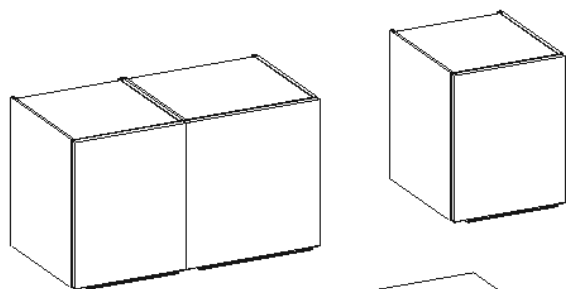
84-17F-...



**respekta®**



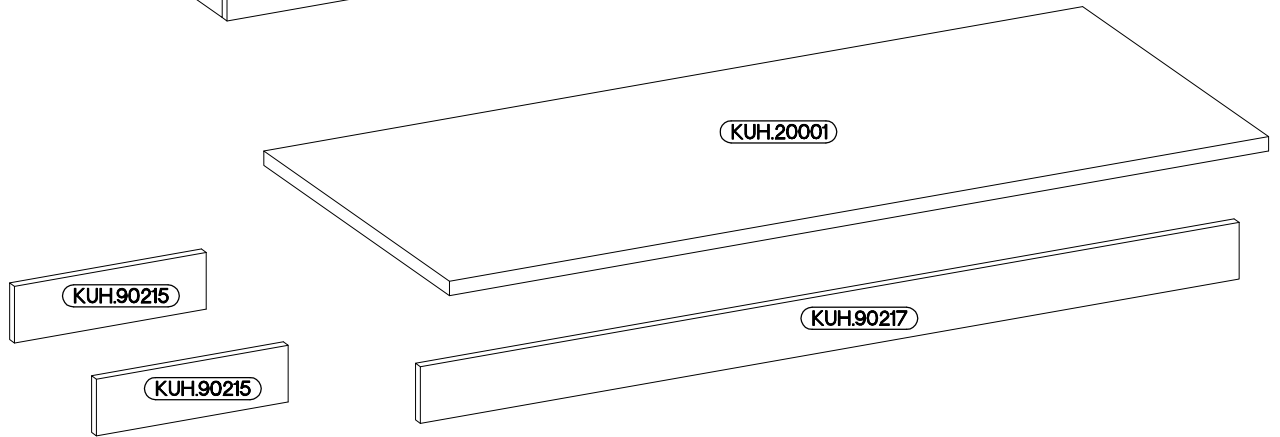
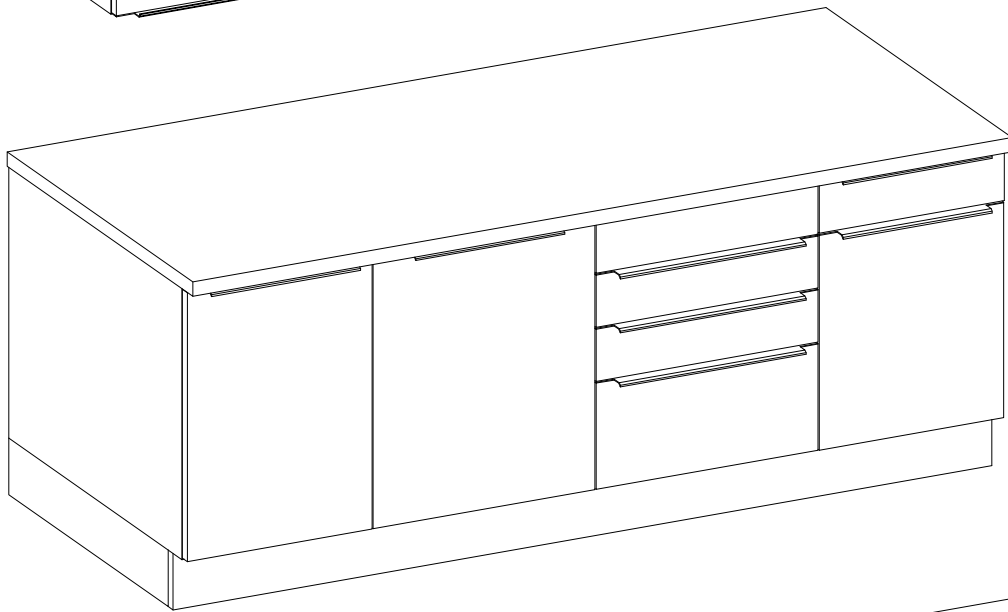
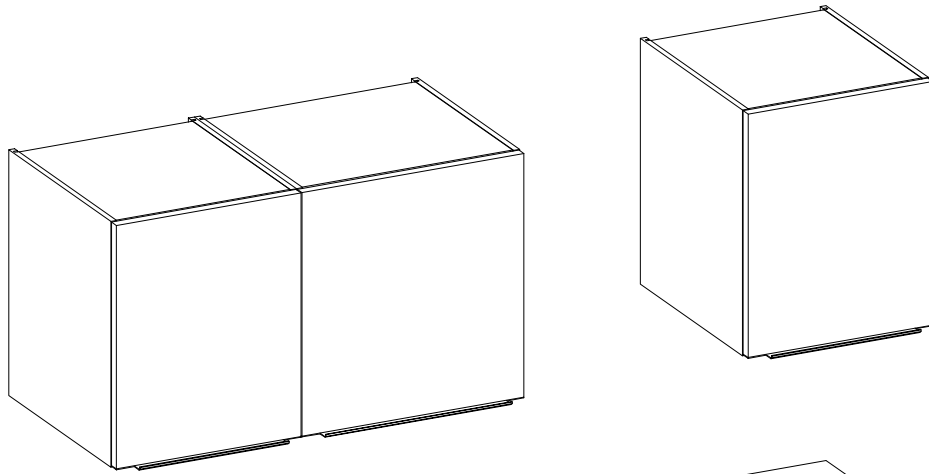
VARIANT 1



VARIANT 2

ISM-KUH-01597

# VARIANT 1



| Colli        | Spare Part   | Dimension   |
|--------------|--------------|-------------|
| Colli<br>6/6 | KUH.20001    | 2200x600x38 |
|              | KUH.90215 x2 | 515x150x16  |
|              | KUH.90217    | 2199x150x16 |

±3.5x13mm



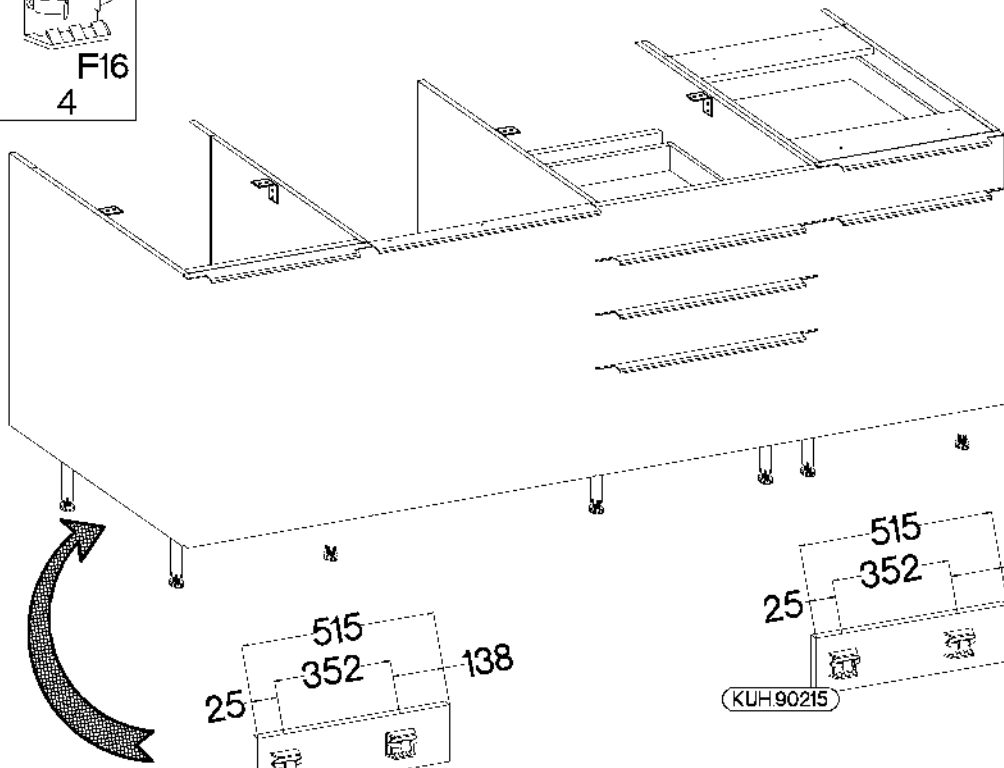
P5

8



F16

4

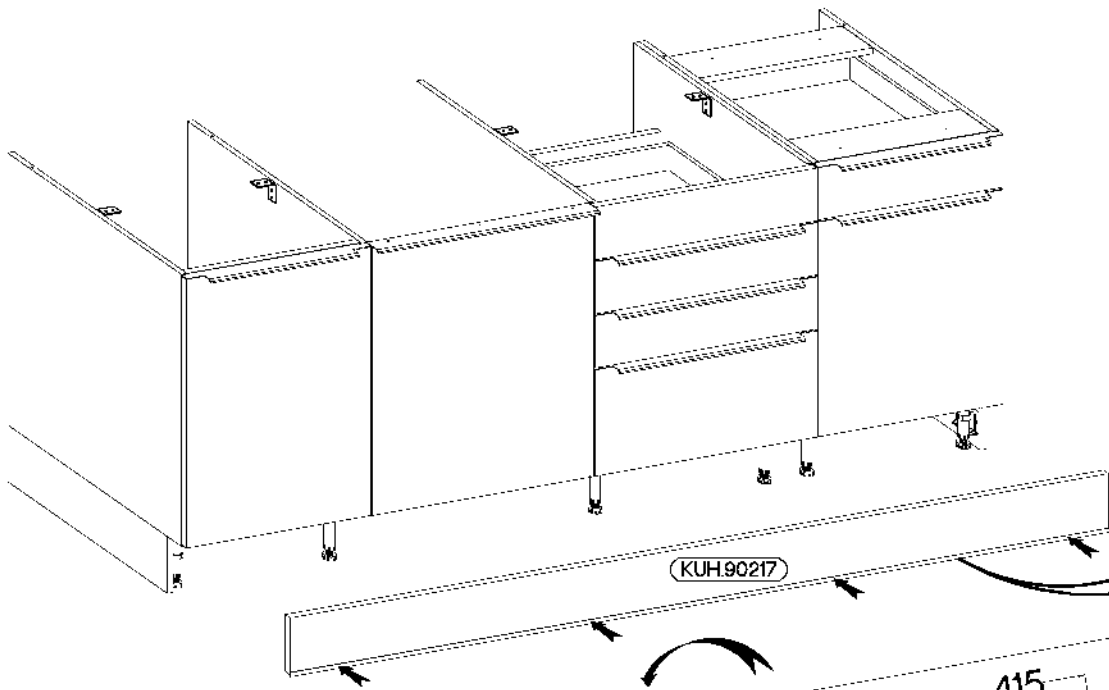


KUH.90215

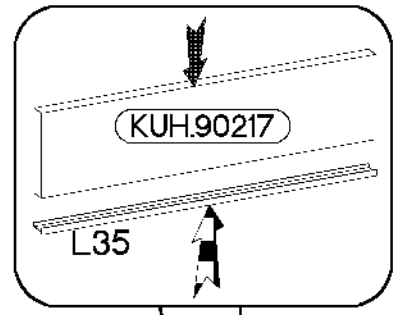
KUH.90215

2

- 1.
- 2.
- 3.
- 4.

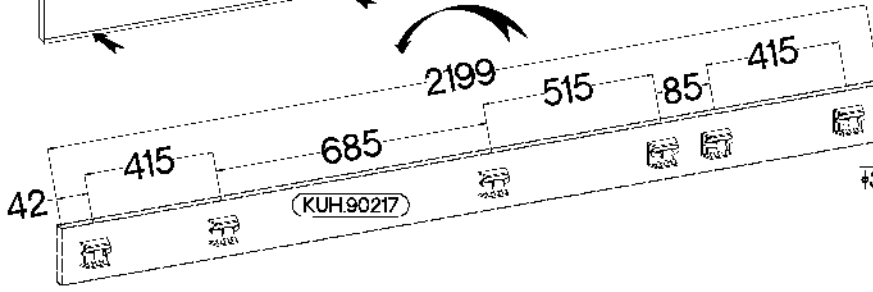


KUH.90217



KUH.90217

L35



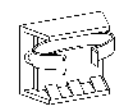
KUH.90217

±3.5x13mm



P5

12



F16

6



L=2200mm

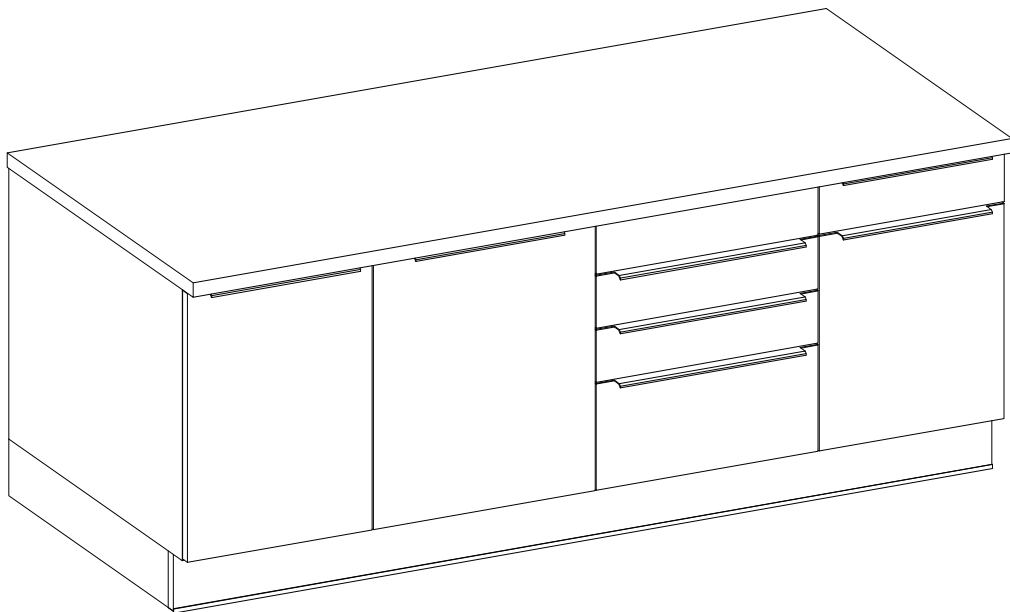
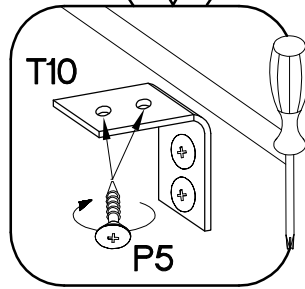
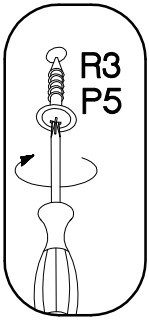
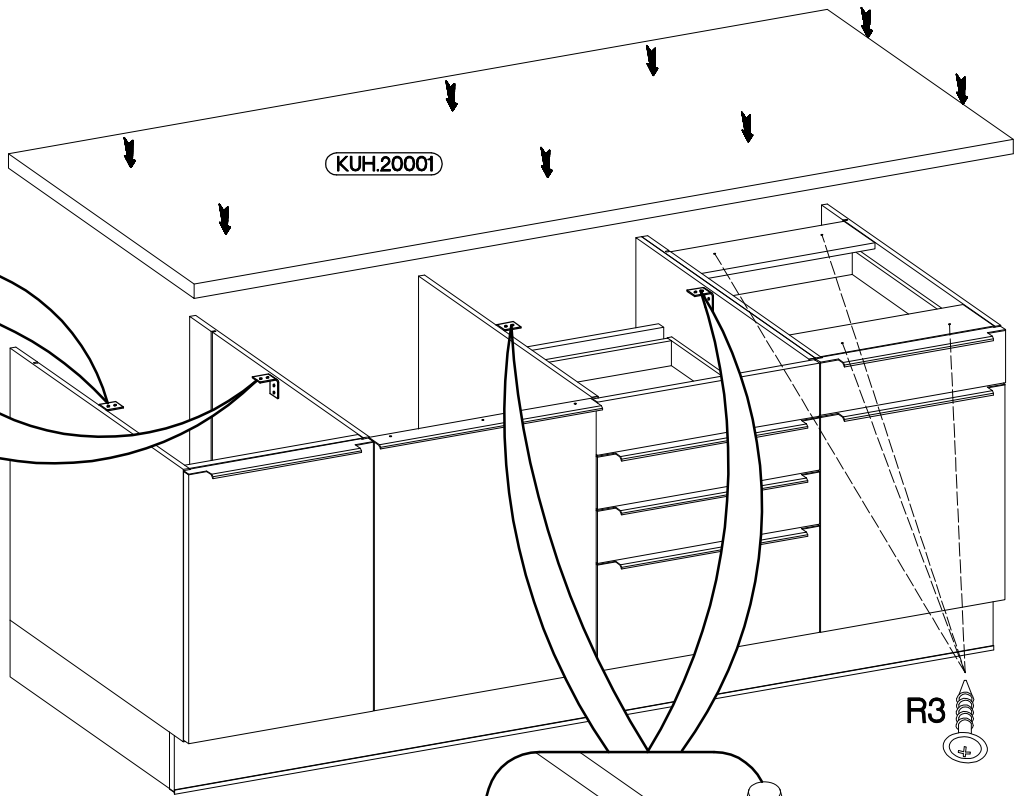
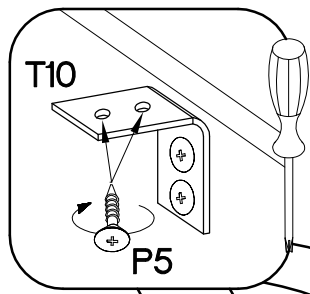





L35

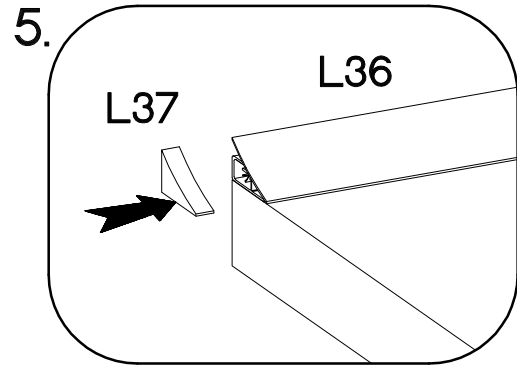
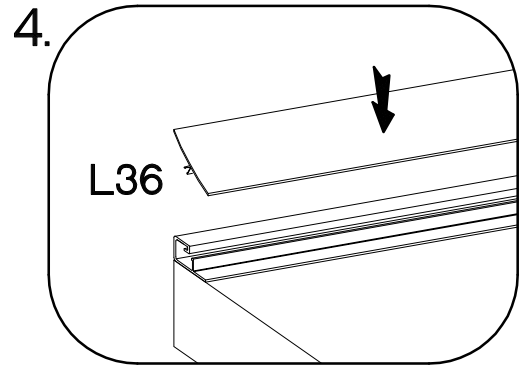
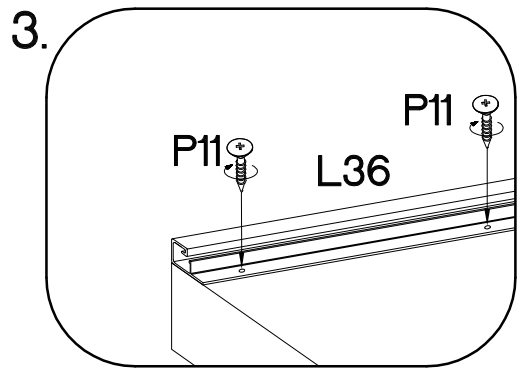
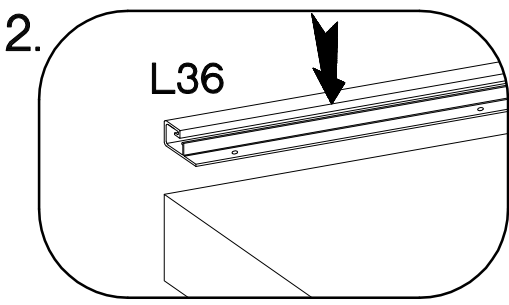
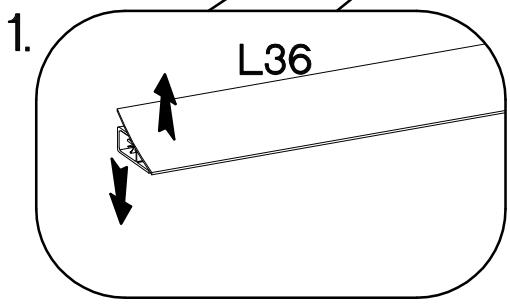
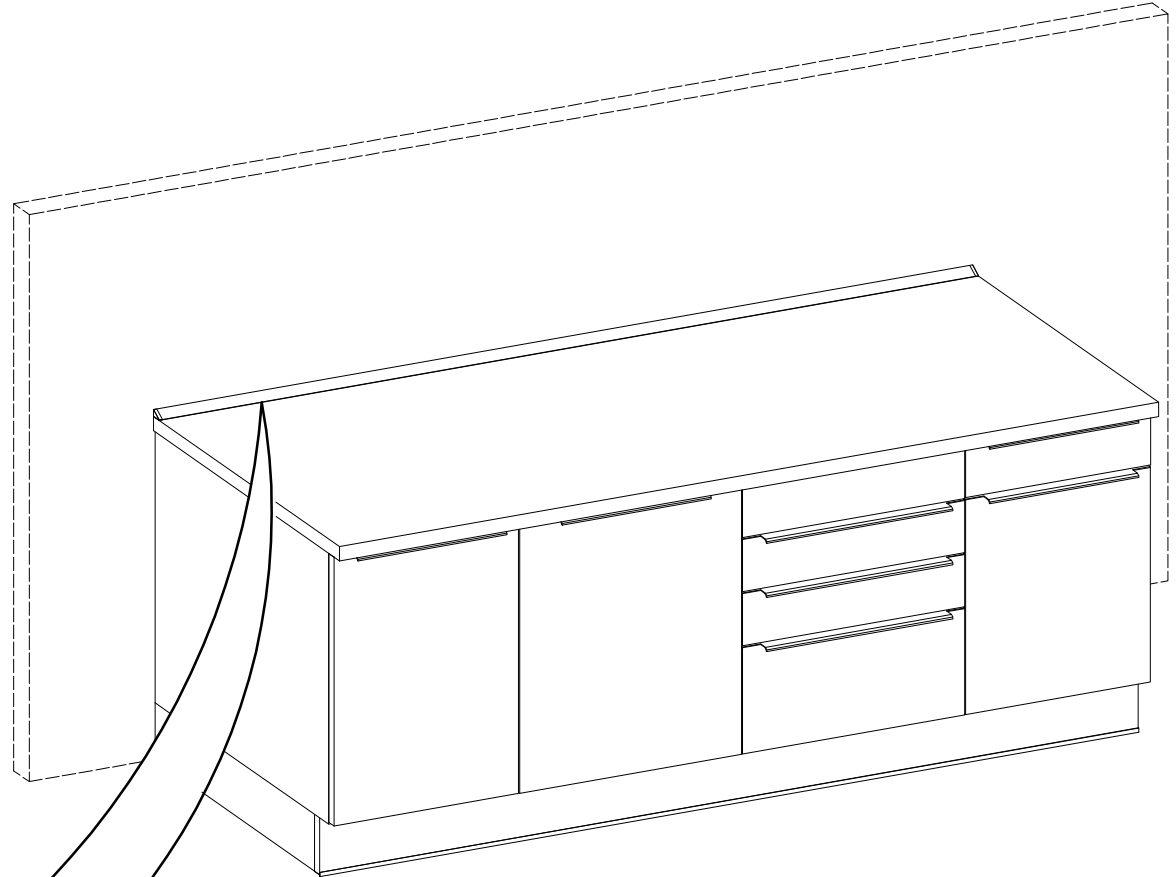
1

# 3

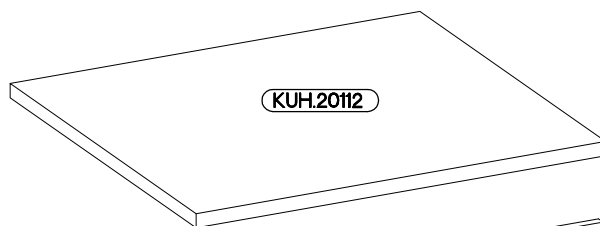
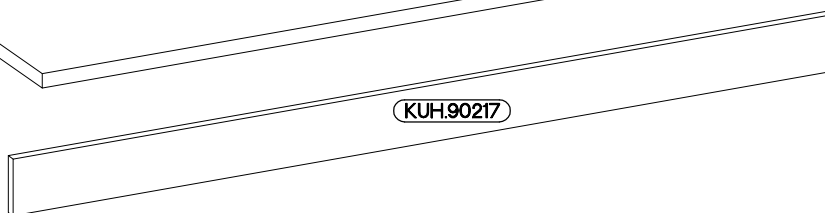
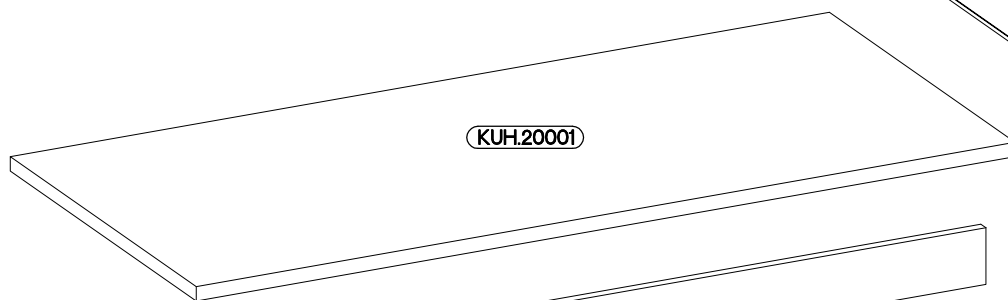
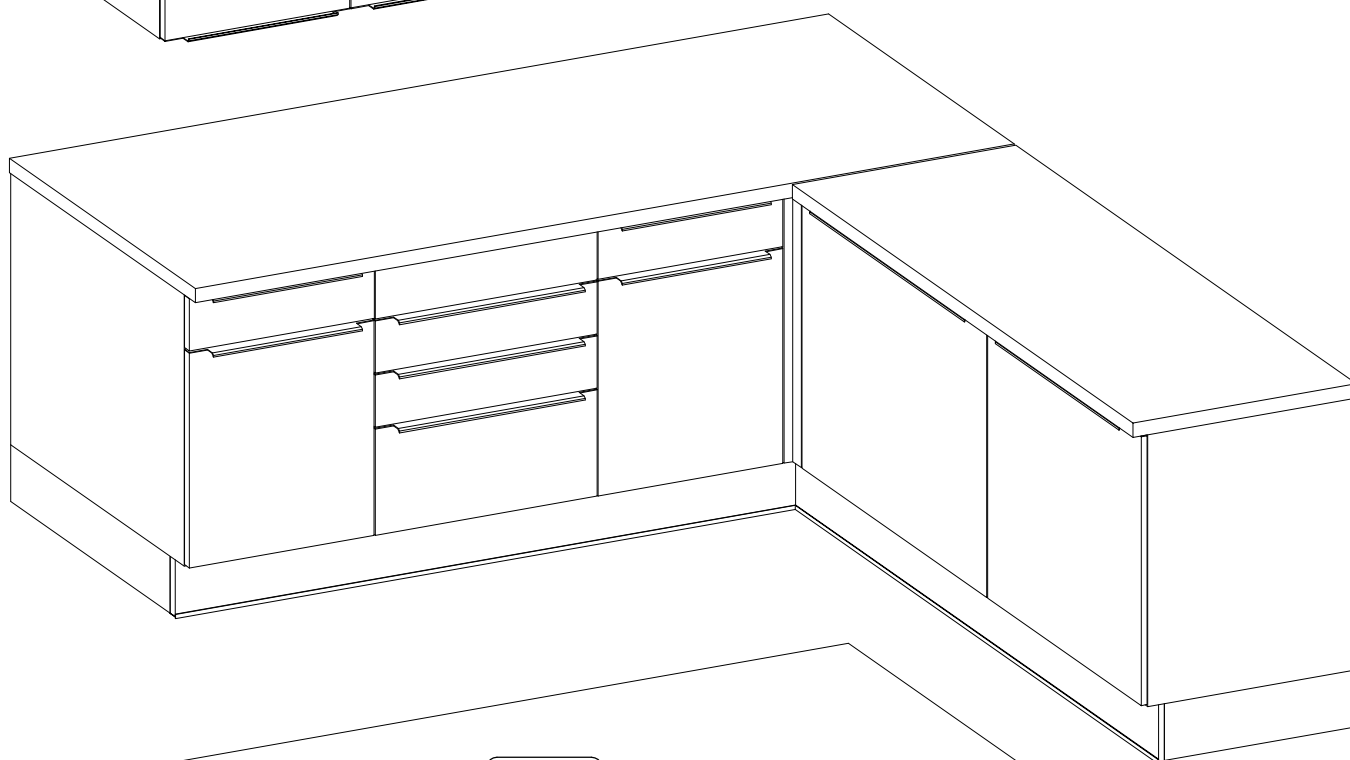
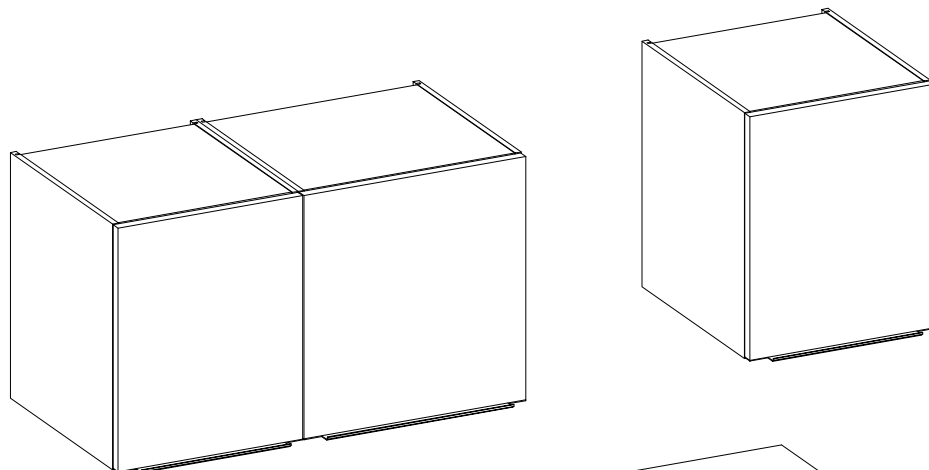
|  |  |
|--|--|
| 4.0x35mm   | 3.5x13mm   |
|  |  |
| R3   | P5   |
| 4  | 8  |



|  |  |  |
|--|--|--|
| $\phi 3.0 \times 16 \text{mm}$<br><br>P11<br>8 | L=2200mm<br><br>L36<br>1 | <br>L37<br>2 |
|--|--|--|

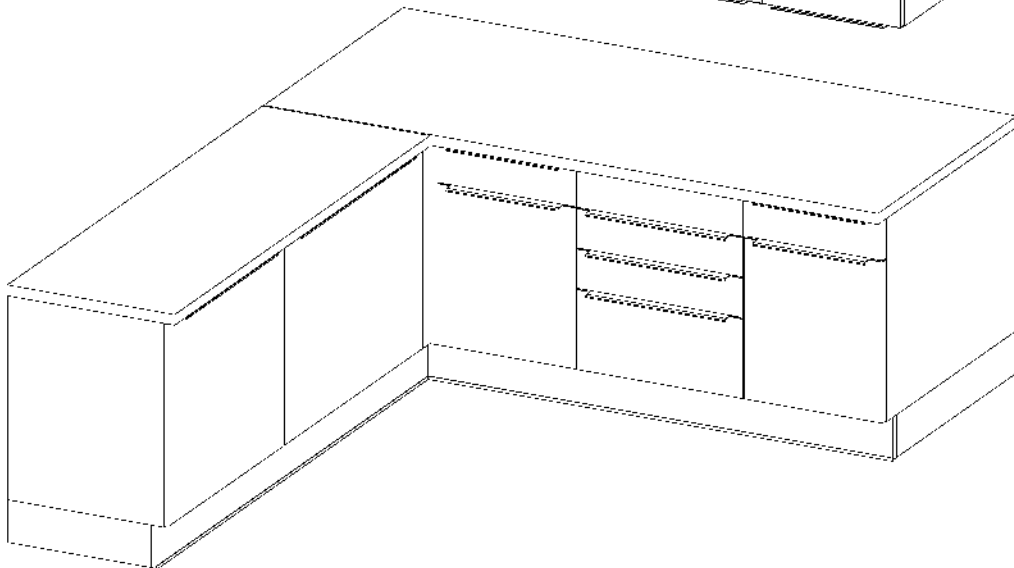
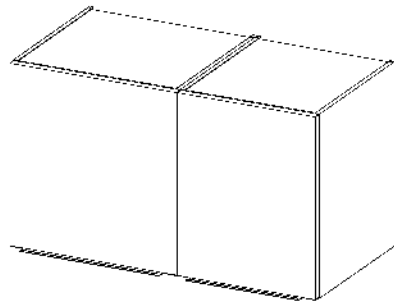
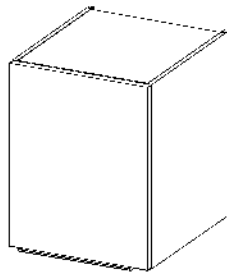
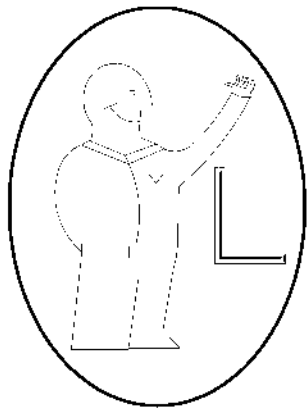
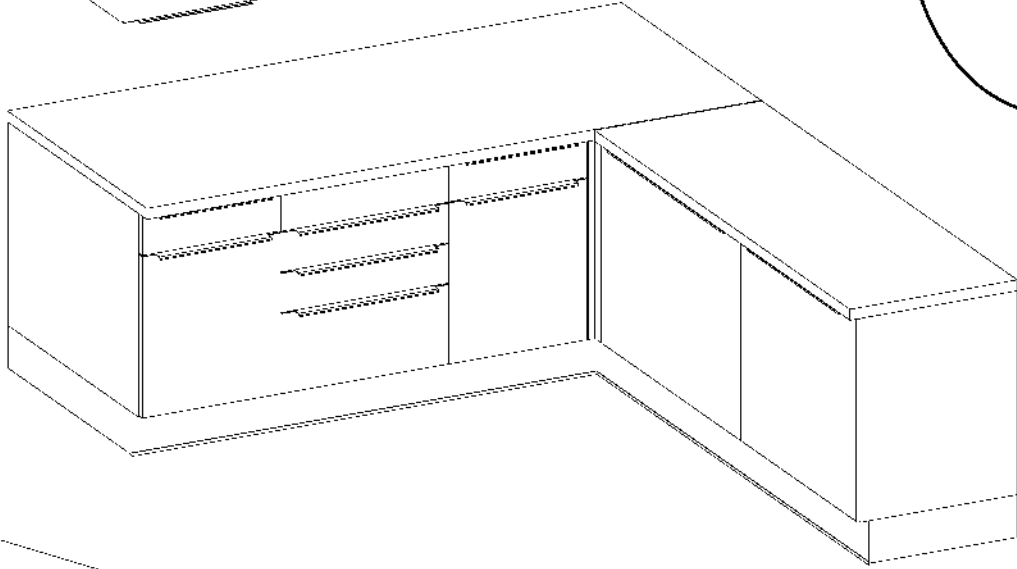
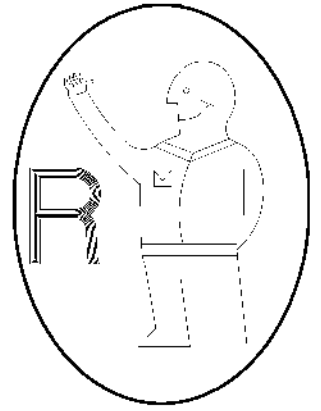
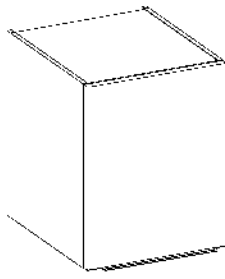
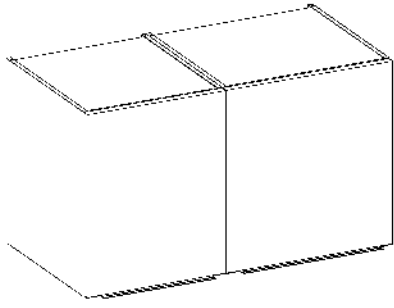


# VARIANT 2



| Colli        | Spare Part | Dimension   |
|--------------|------------|-------------|
| Colli<br>2/2 | KUH.20112  | 1100x600x38 |
|              | KUH.90258  | 1172x150x16 |

| Colli        | Spare Part   | Dimension   |
|--------------|--------------|-------------|
| Colli<br>6/6 | KUH.20001    | 2200x600x38 |
|              | KUH.90215 x2 | 515x150x16  |
|              | KUH.90217    | 2199x150x16 |

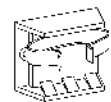


±3.5x13mm



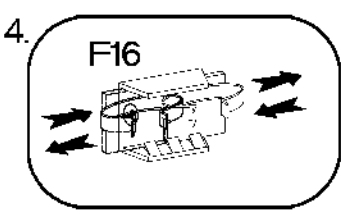
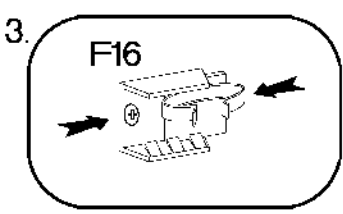
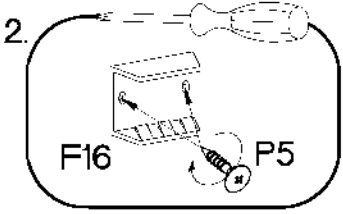
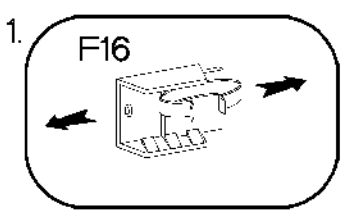
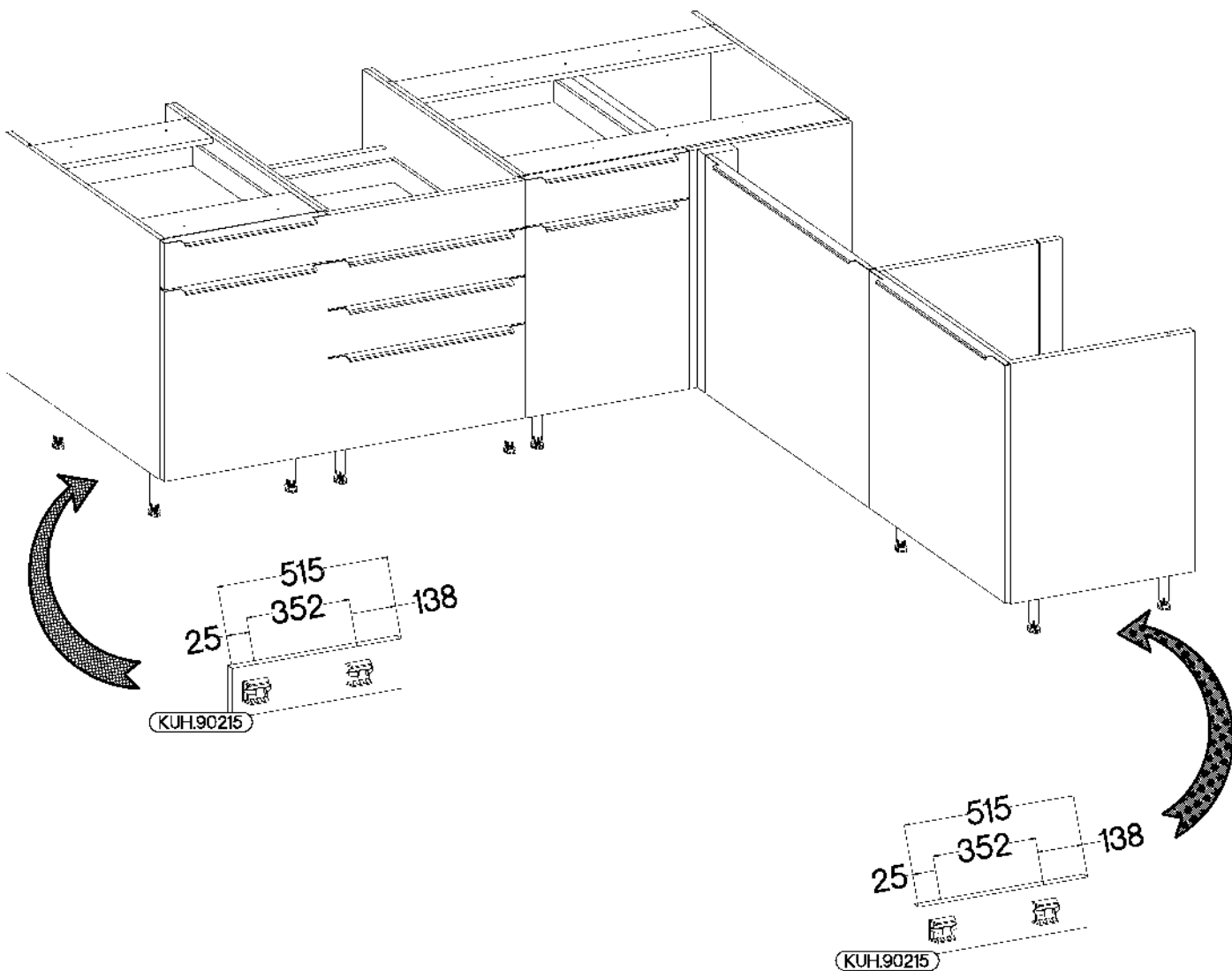
P5

8



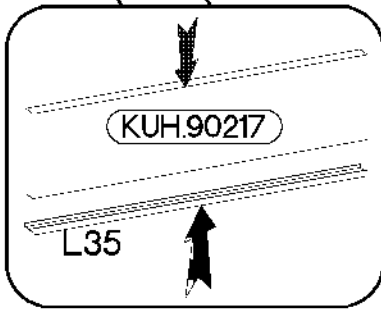
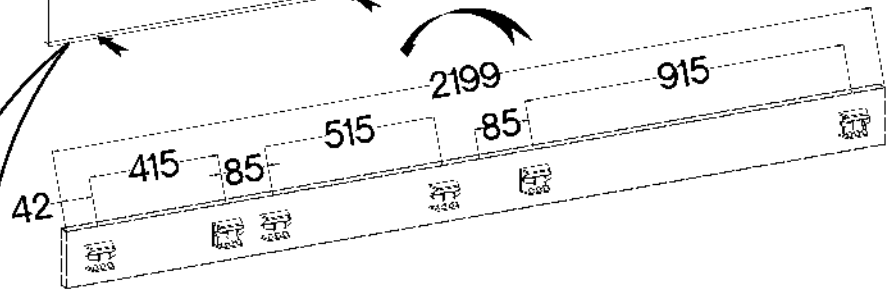
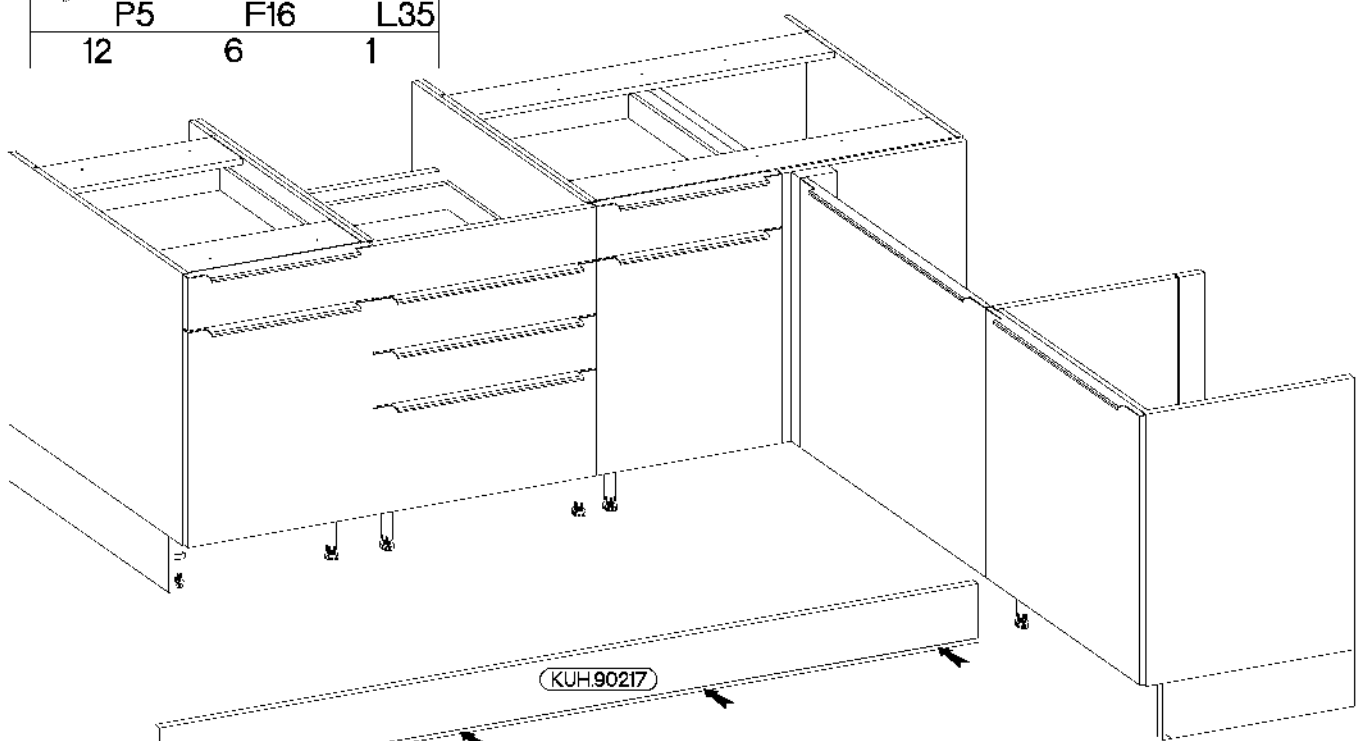
F16

4





|           |     |     |          |  |  |
|-----------|-----|-----|----------|--|--|
| +3.5x13mm |     |     | L=2200mm |  |  |
|           |     |     |          |  |  |
| P5        | F16 | L35 |          |  |  |
| 12        | 6   | 1   |          |  |  |



- 
- 
- 
-

7

±3.5x13mm

L=1172mm



P5

4



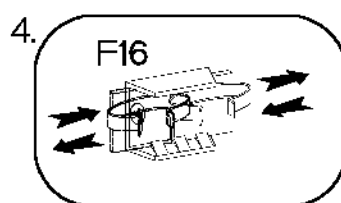
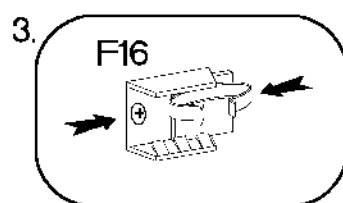
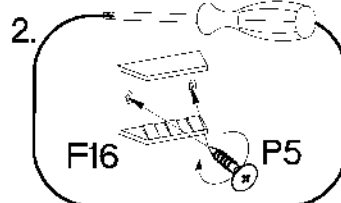
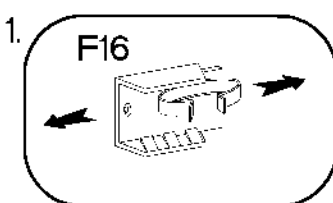
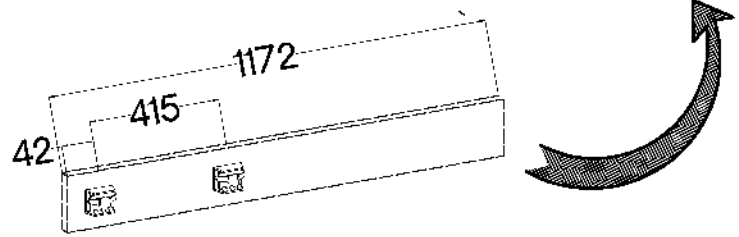
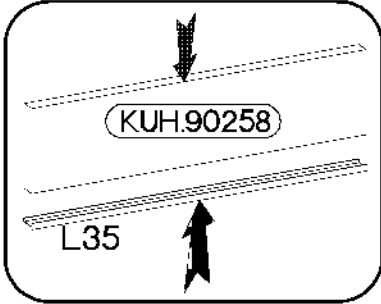
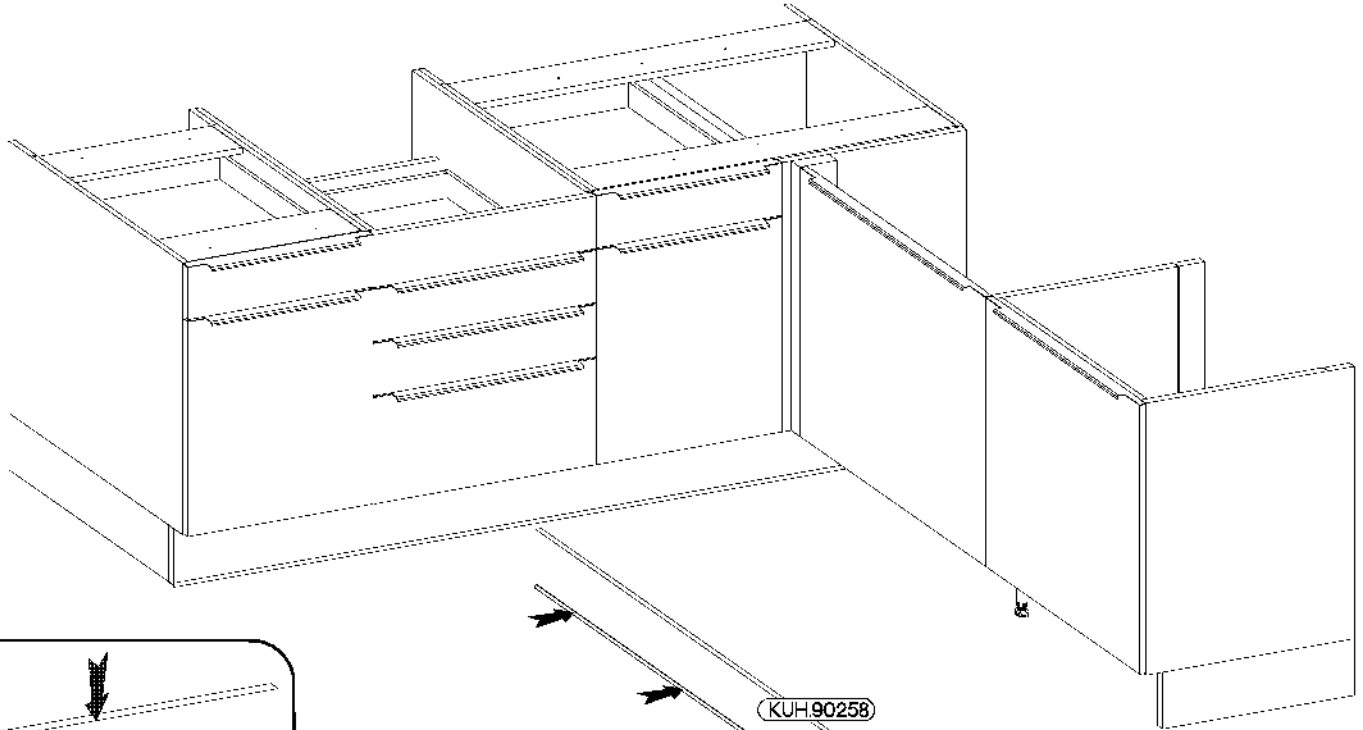
F16



2

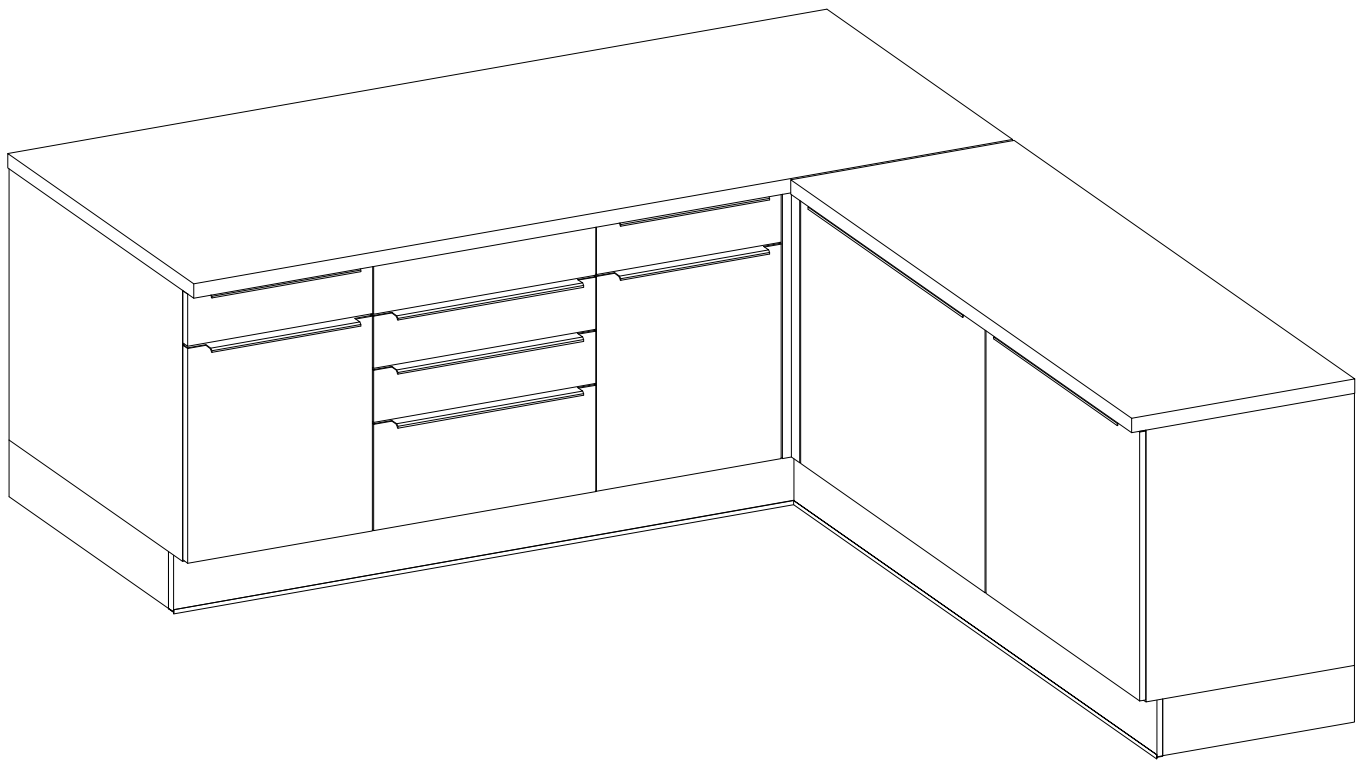
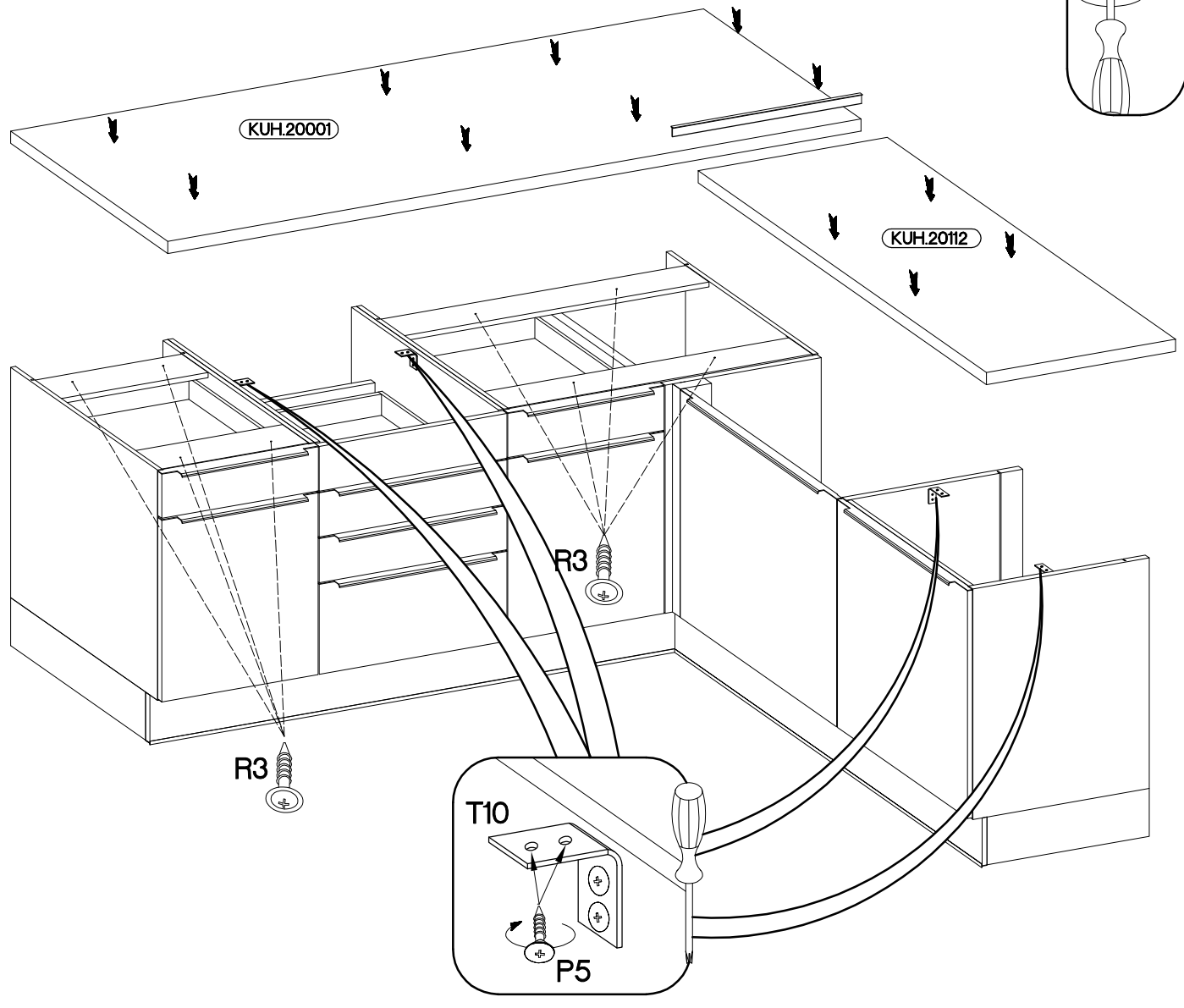
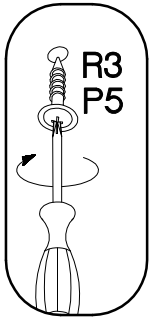


L35

1



|  |  |
|--|--|
| $\pm 4.0 \times 35 \text{mm}$  | $\pm 3.5 \times 13 \text{mm}$  |
|  |  |
| R3   | P5   |
| 8  | 8  |



φ3.0x16mm

L=2200mm



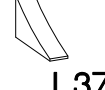
P11

14



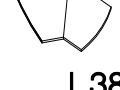
L36

2



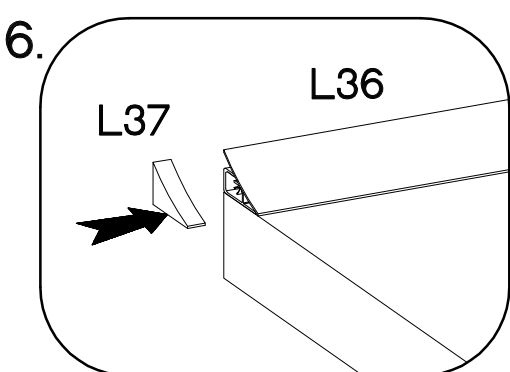
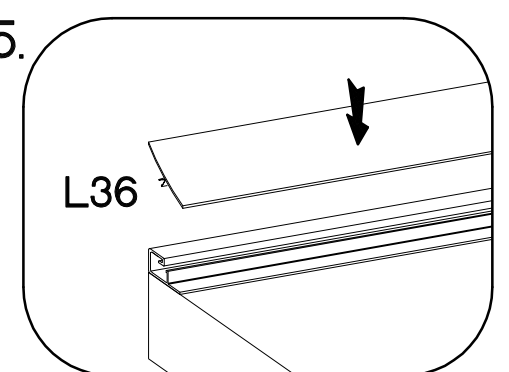
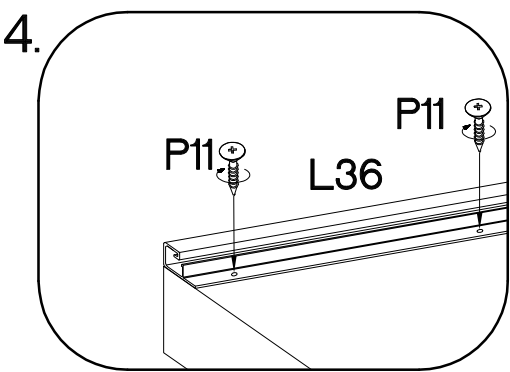
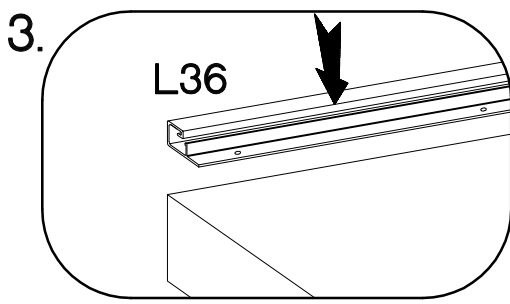
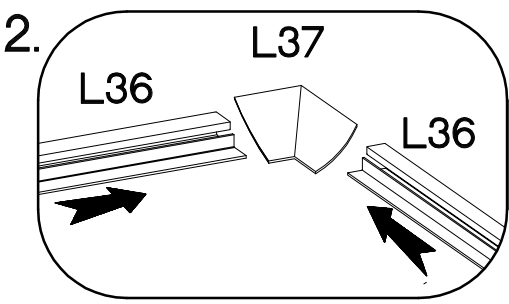
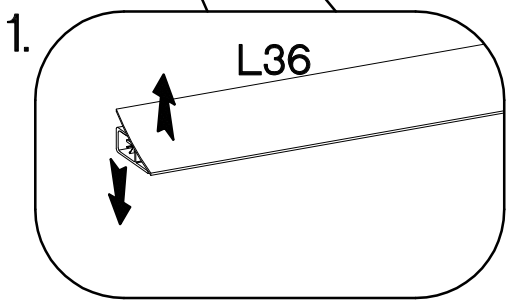
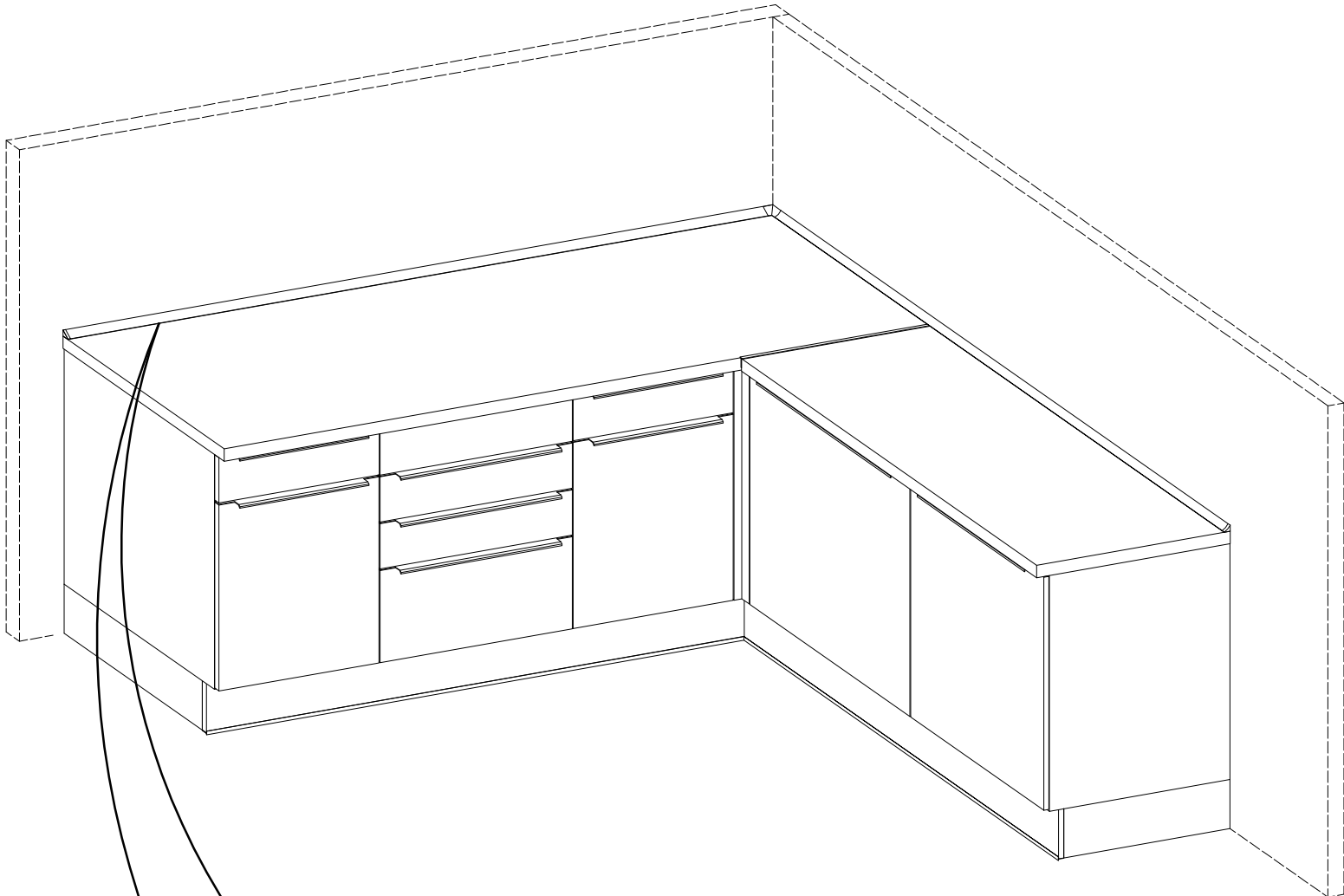
L37

2



L38

1

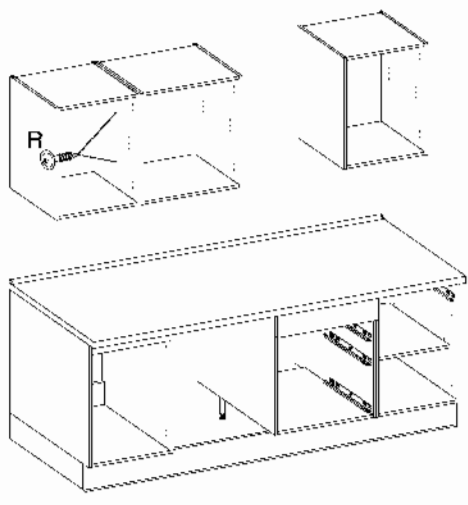


10

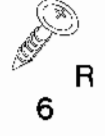
4.0x25mm



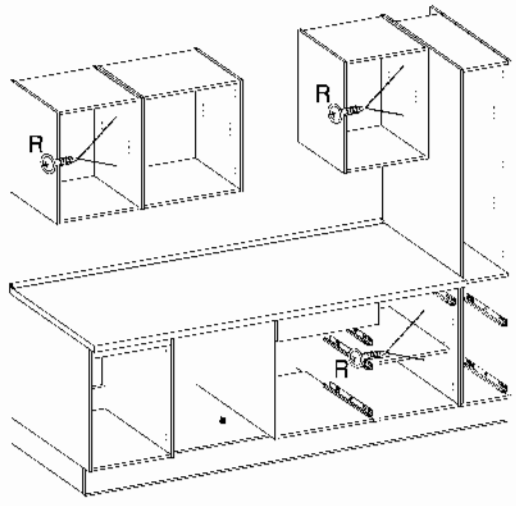
V 1



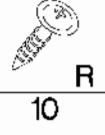
4.0x25mm



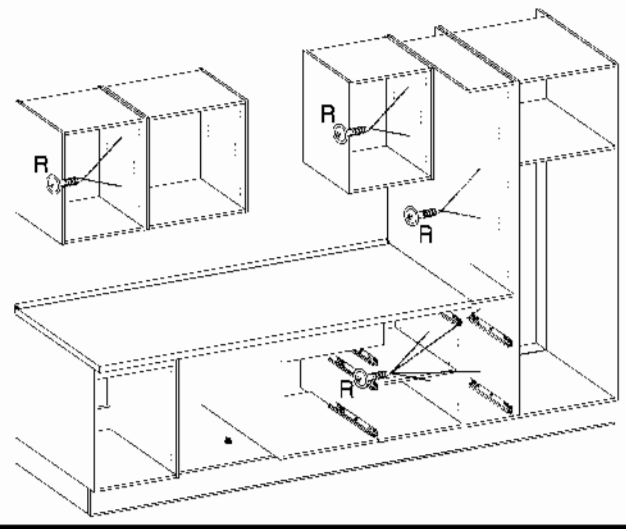
V 2



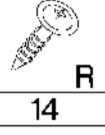
4.0x25mm



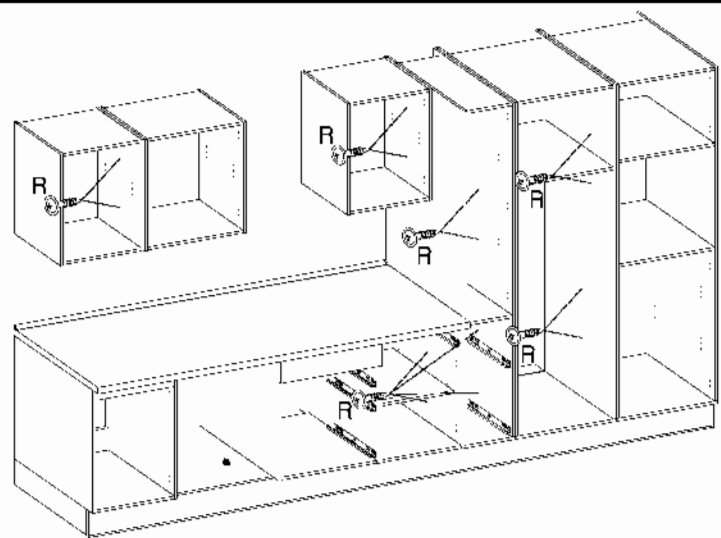
V 3

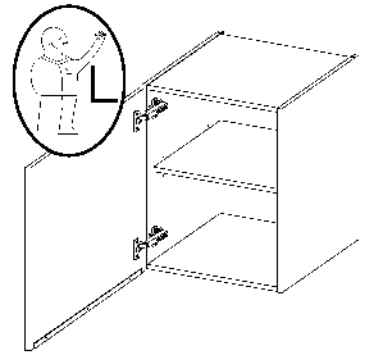
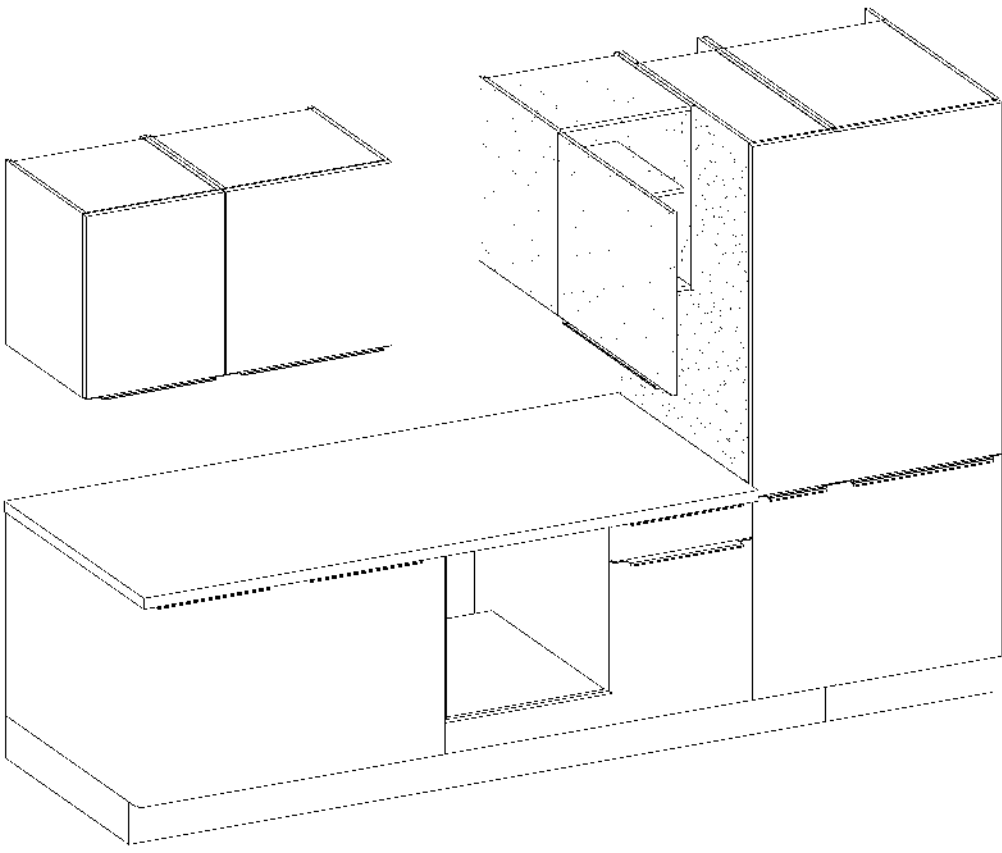
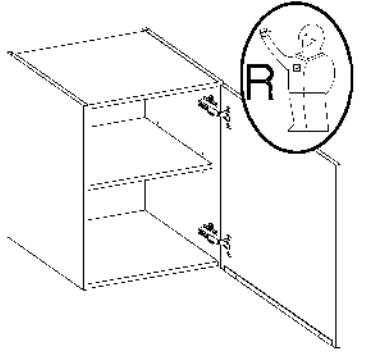
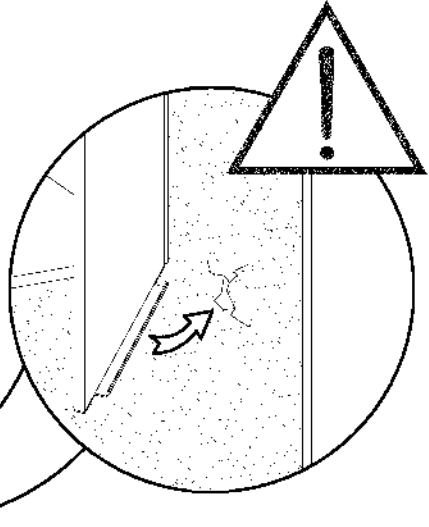
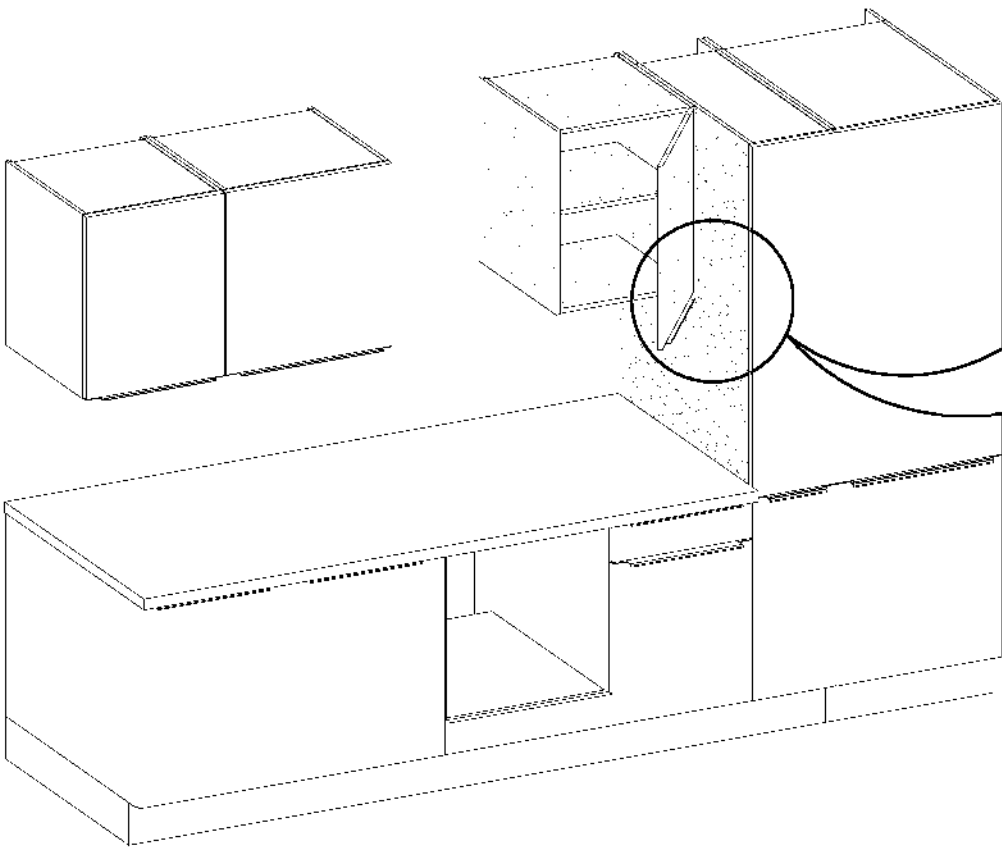


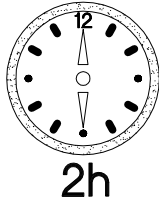
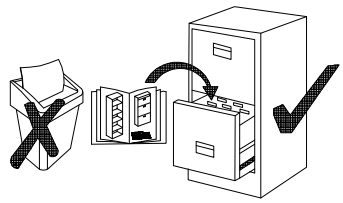
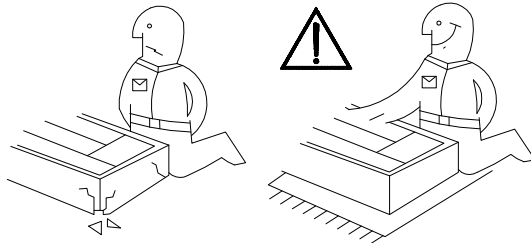
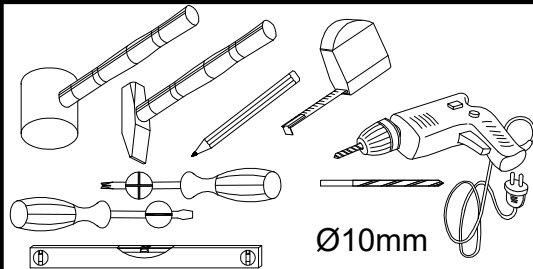
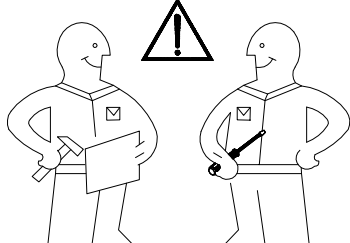
4.0x25mm



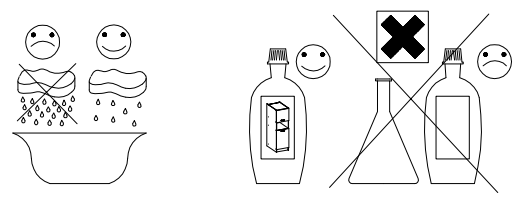
V 4



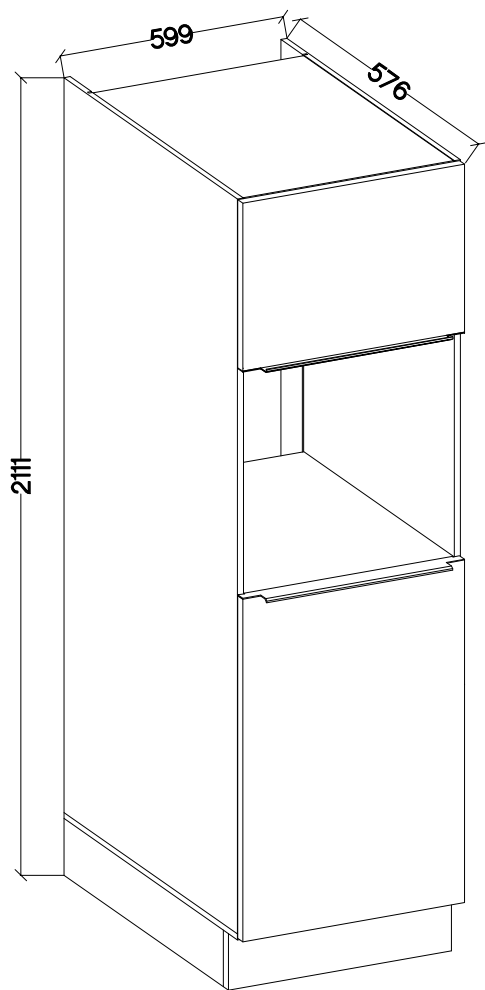




**SAFADO / MARLEEN**  
 73-154-...  
 73-15C-...  
 73-15D-...



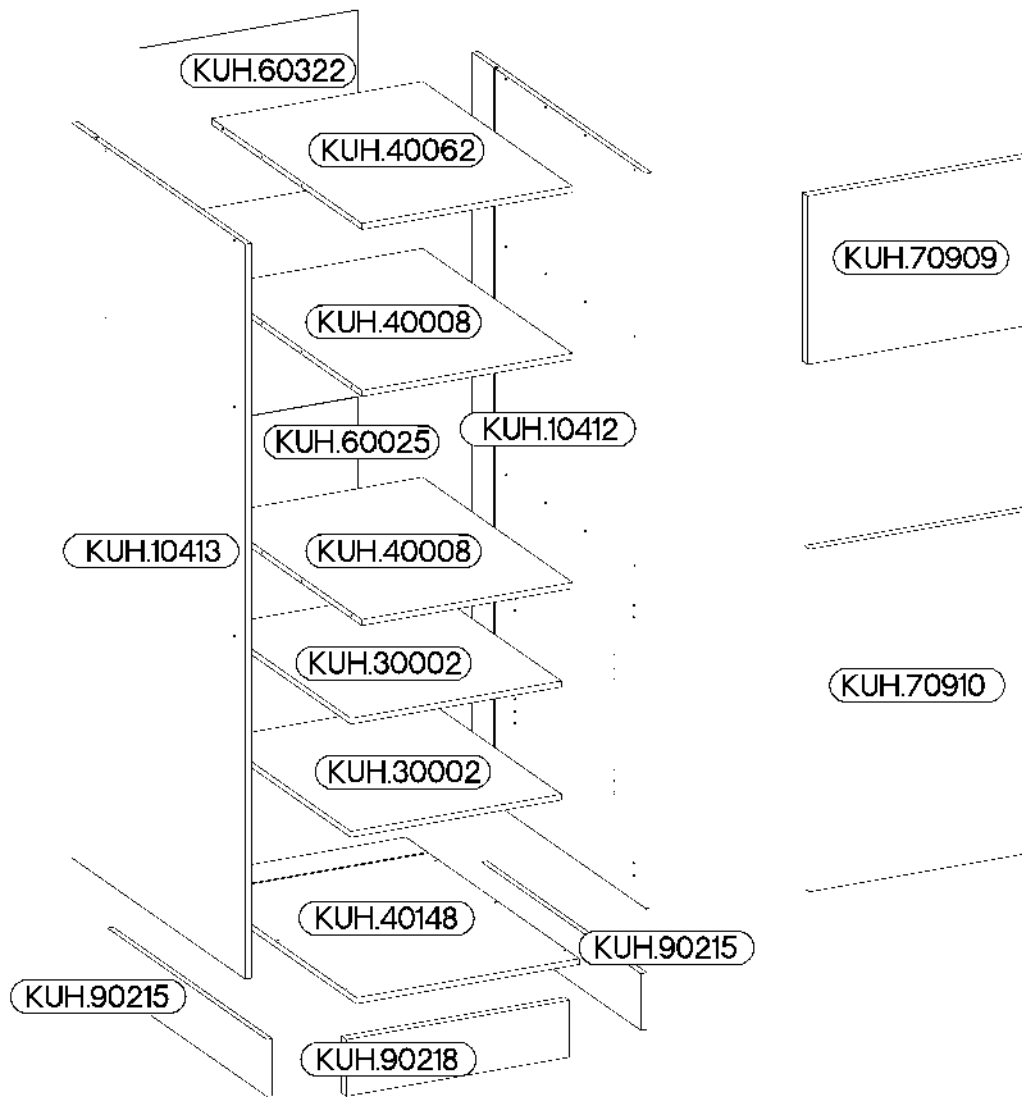
**respekta®**



|                     |                    |                     |                        |                     |                      |                                 |
|---------------------|--------------------|---------------------|------------------------|---------------------|----------------------|---------------------------------|
| <br><b>A</b><br>12  | <br><b>B</b><br>18 | <br><b>E1</b><br>12 | <br><b>F15</b><br>4    | <br><b>F16</b><br>6 |                      |                                 |
| <br><b>HG</b><br>4  | <br><b>J3</b><br>8 | <br><b>J5</b><br>2  | <br><b>K24</b><br>2    | <br><b>L35</b><br>1 | <br><b>R</b><br>4    | L=600mm<br><br><b>R</b><br>4    |
| <br><b>L25</b><br>1 | <br><b>O</b><br>1  | <br><b>P5</b><br>38 | <br><b>P7</b><br>12-15 | <br><b>P11</b><br>8 | <br><b>SL60</b><br>2 | L=595mm<br><br><b>SL60</b><br>2 |



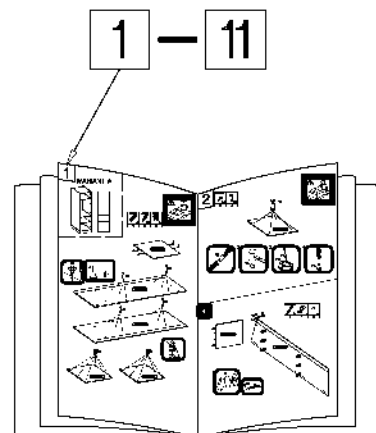
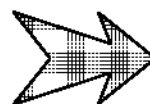
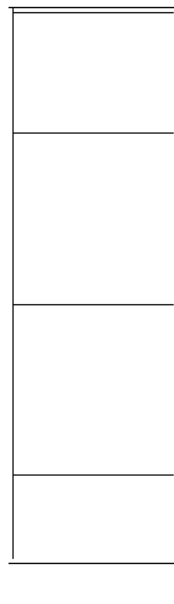
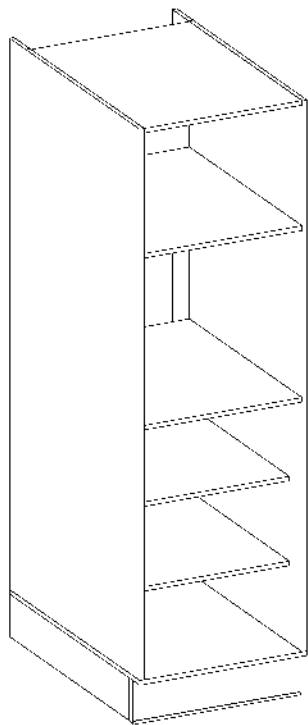
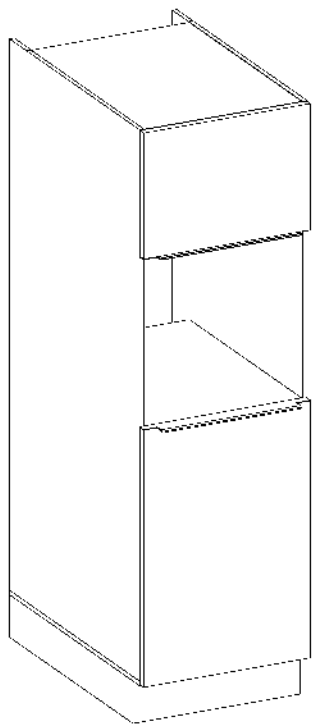
**ISM-KUH-01595**



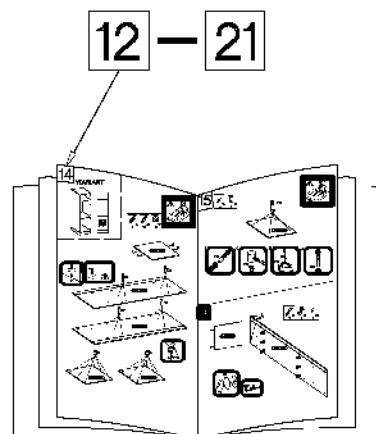
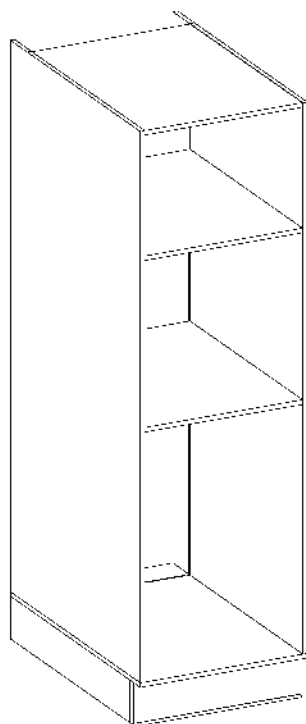
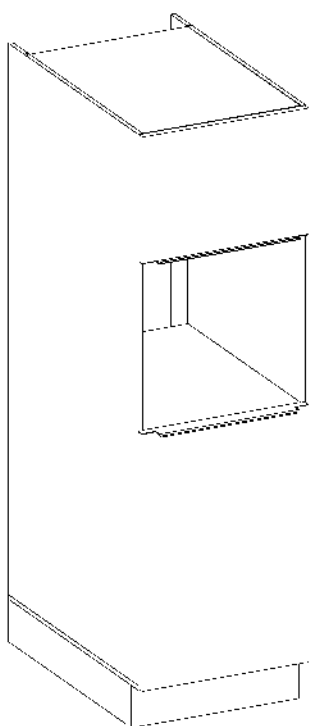
| Colli        | Spare Part   | Dimension   |
|--------------|--------------|-------------|
| Colli<br>1/2 | KUH.40148    | 599x560x16  |
|              | KUH.30002 x2 | 566x430x16  |
|              | KUH.60025    | 905x585x2,5 |
|              | KUH.60322    | 454x585x2,5 |
|              | KUH.70910    | 907x596x16  |
|              | KUH.79090    | 445x596x16  |
|              | KUH.90215 x2 | 515x150x16  |
|              | KUH.90218    | 599x150x16  |
| Colli<br>2/2 | KUH.10412    | 1945x560x16 |
|              | KUH.10410    | 1945x560x16 |
|              | KUH.40008 x2 | 567x485x16  |
|              | KUH.40062    | 567x485x16  |



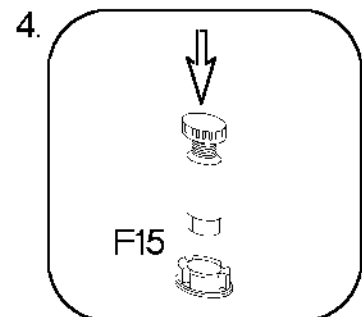
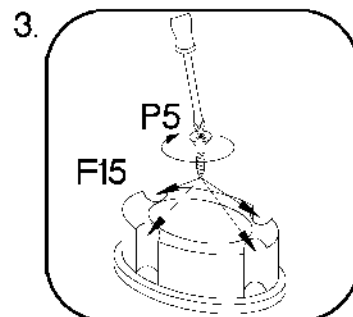
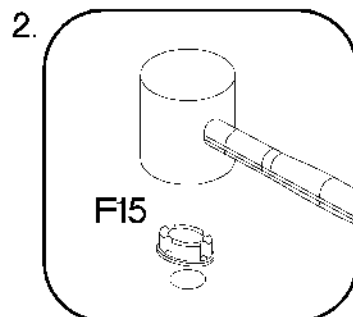
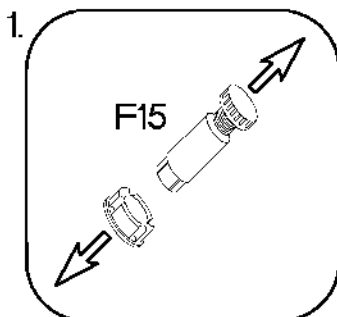
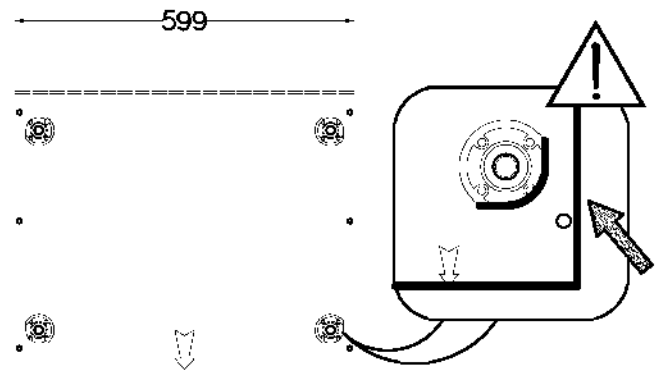
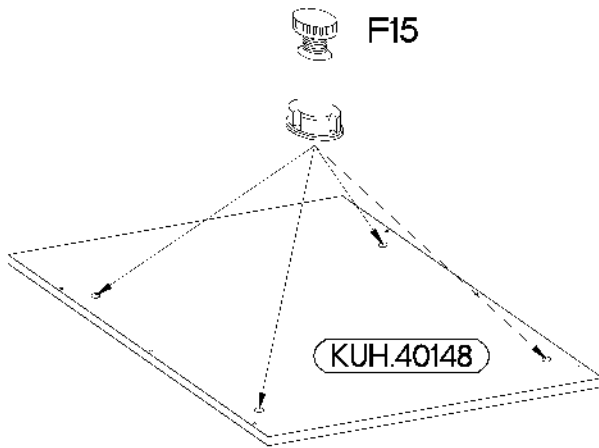
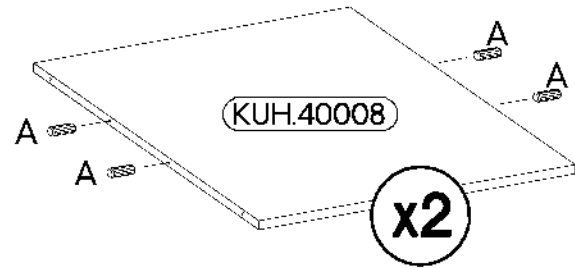
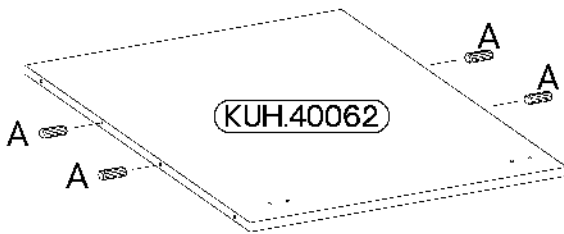
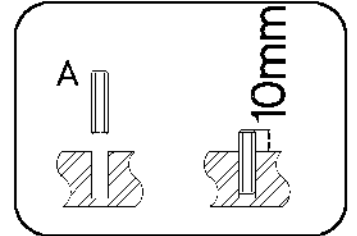
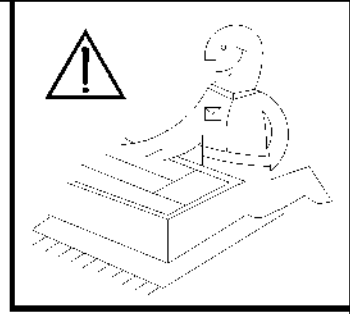
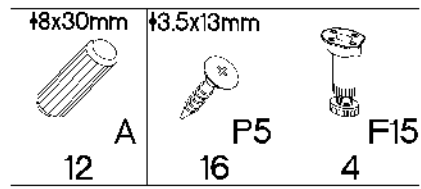
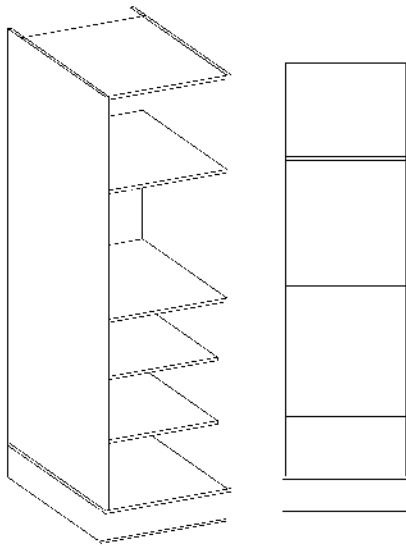
# VARIANT 1



# VARIANT 2



# VARIANT 1



2

6,4 x 50mm



B

6



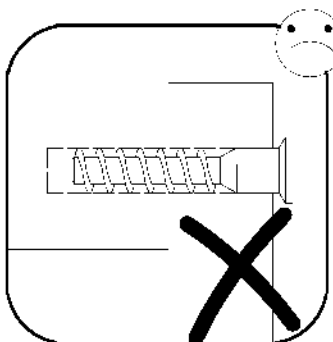
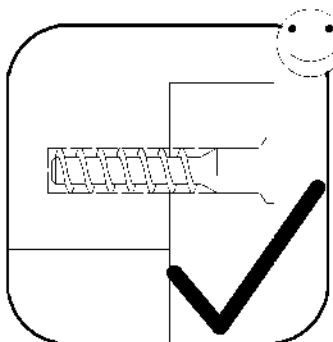
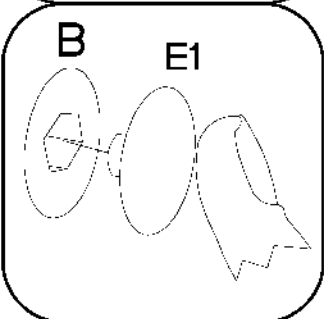
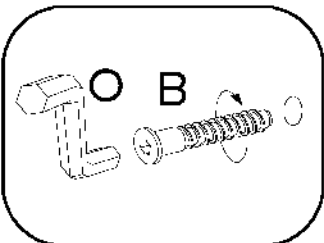
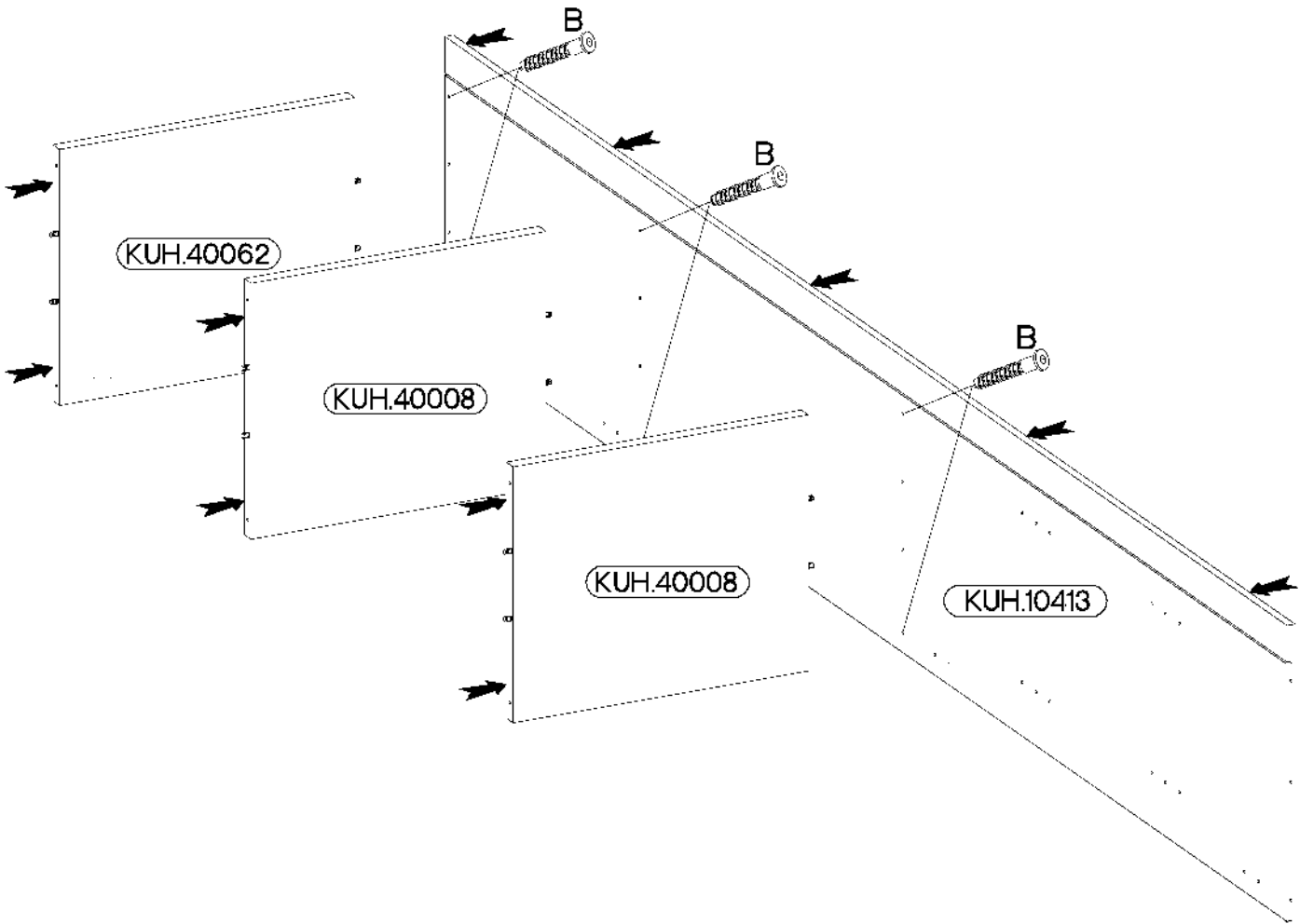
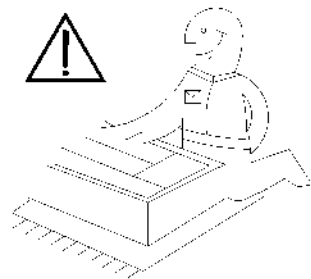
O

1



E1

6

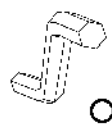


6,4 x 50mm



B

6



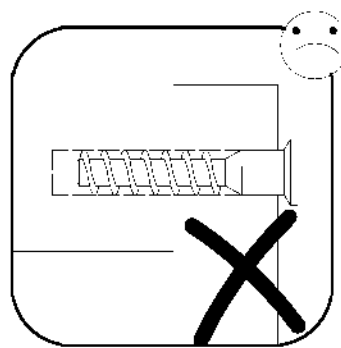
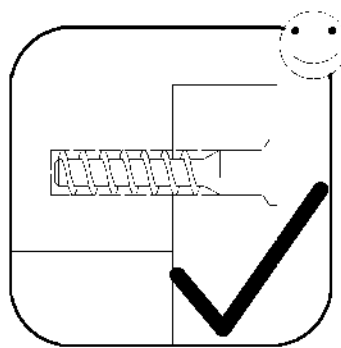
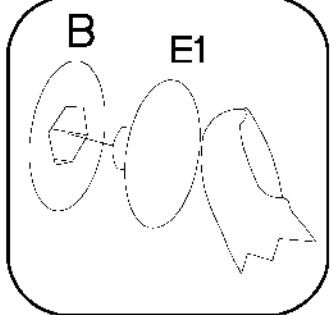
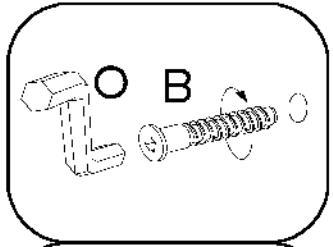
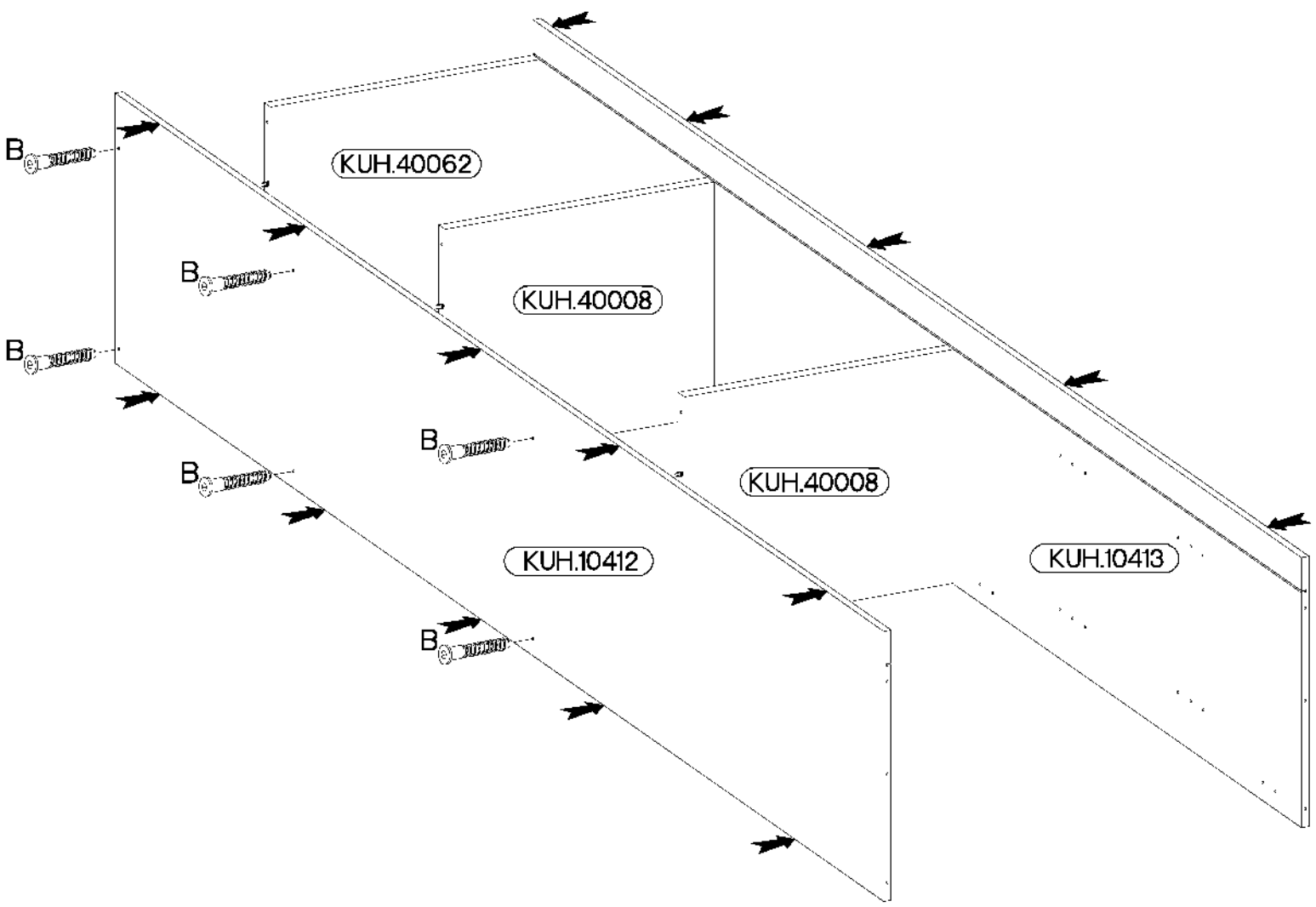
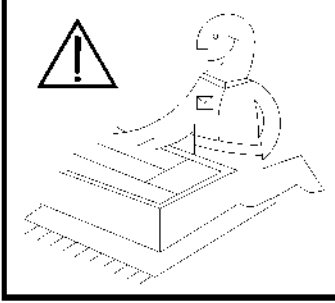
O

1



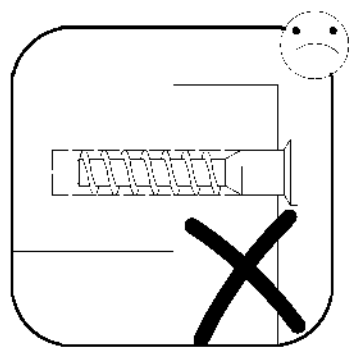
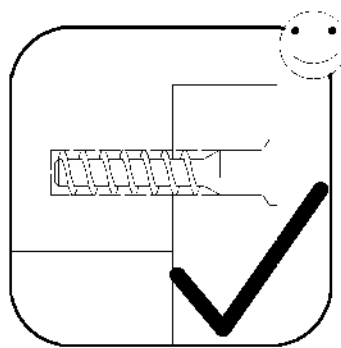
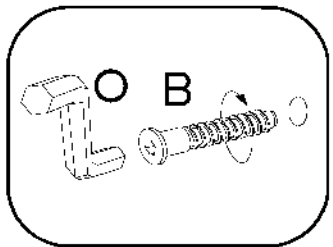
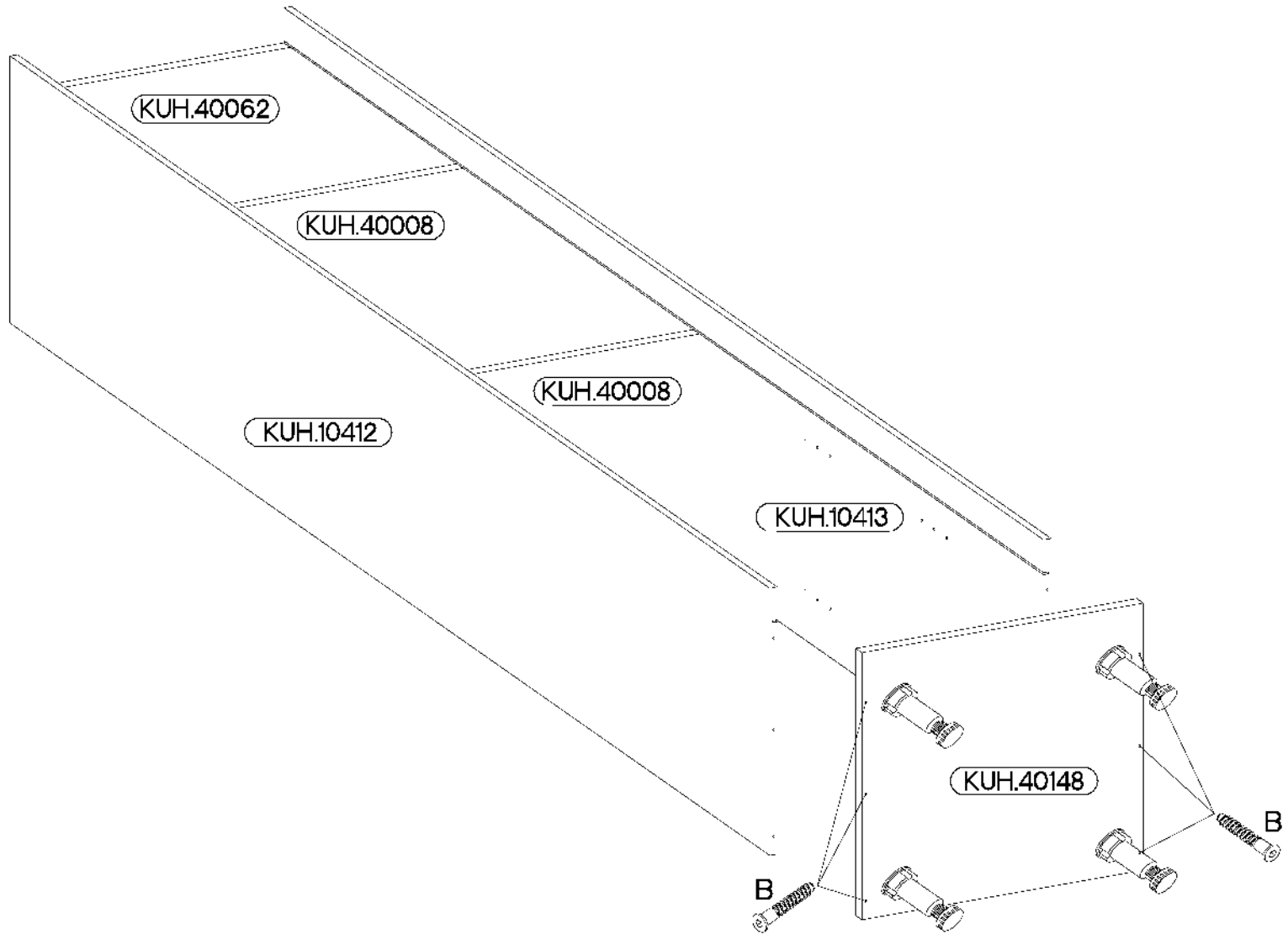
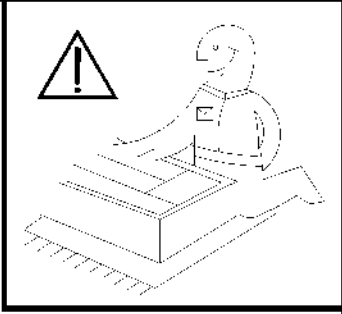
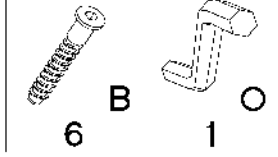
E1

6

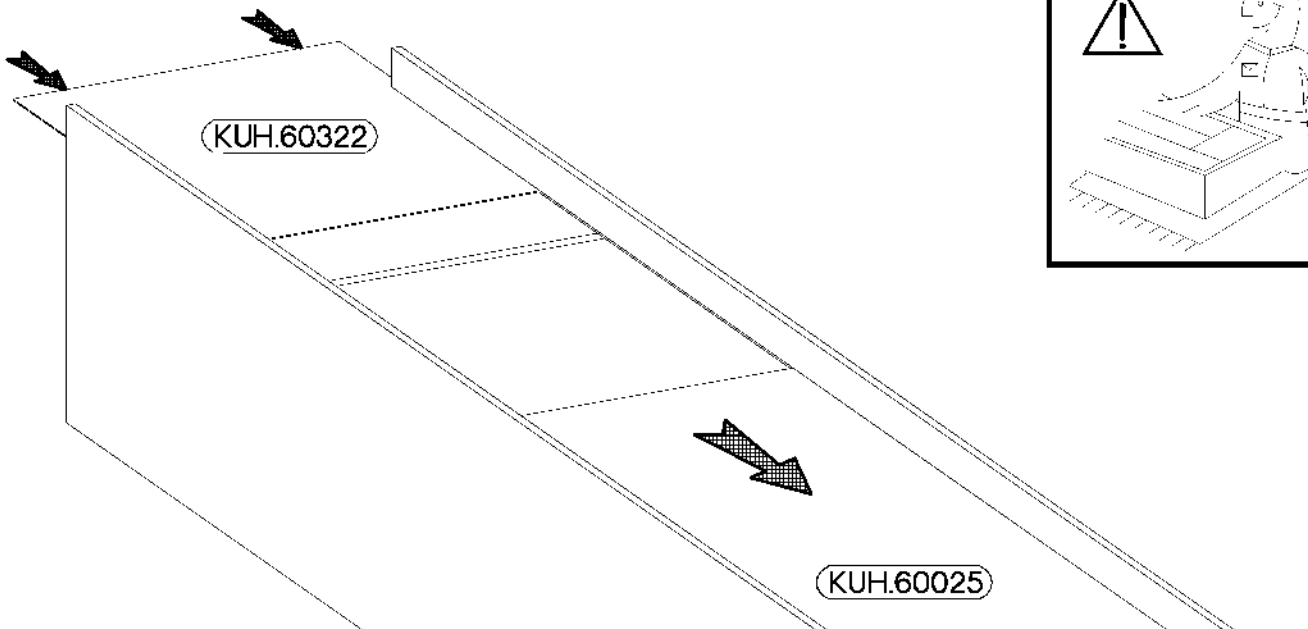




6,4 x 50mm

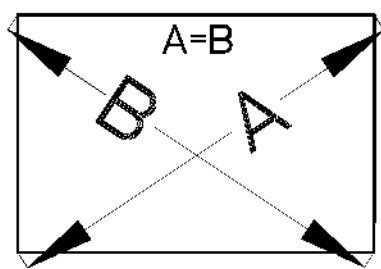
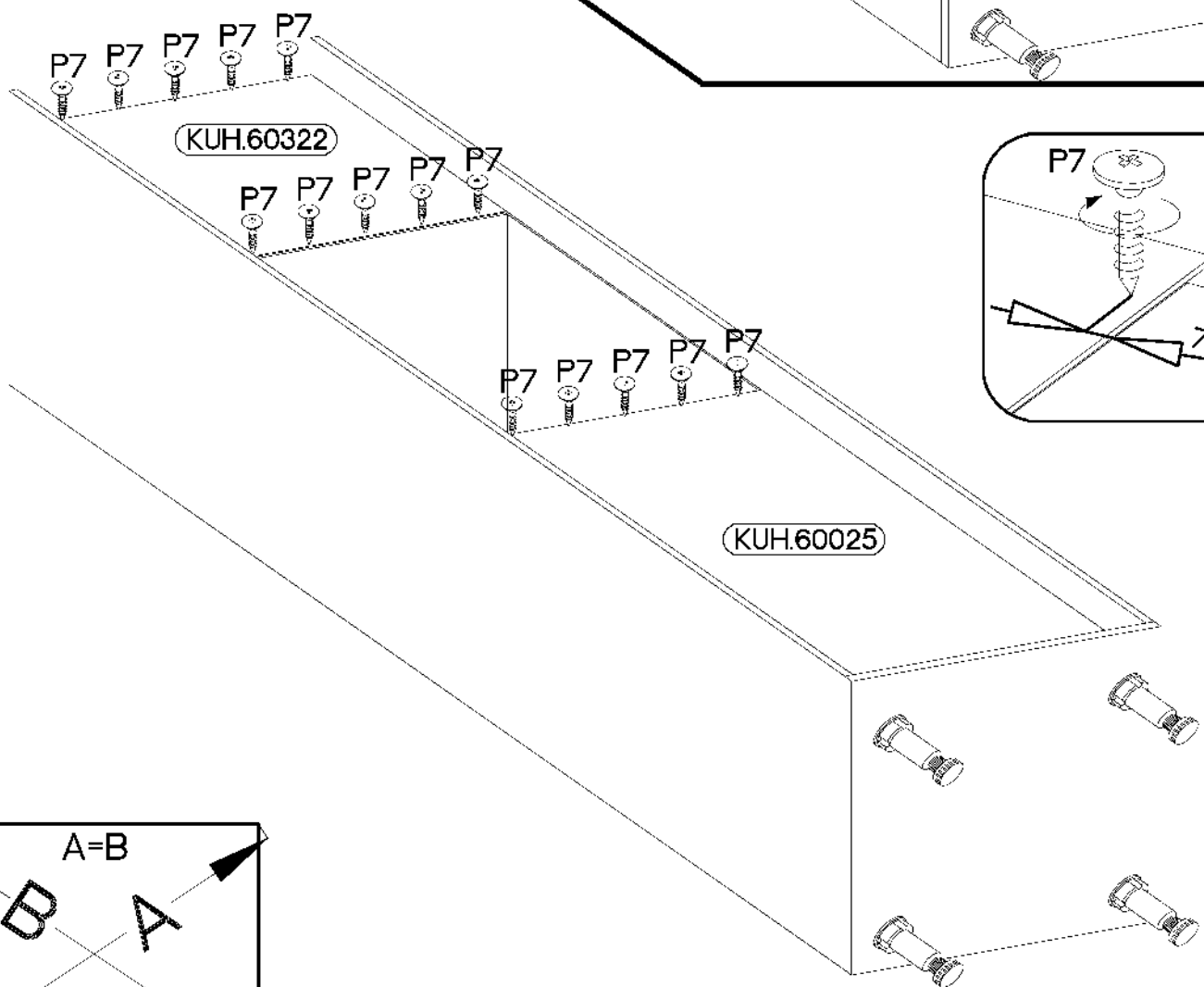
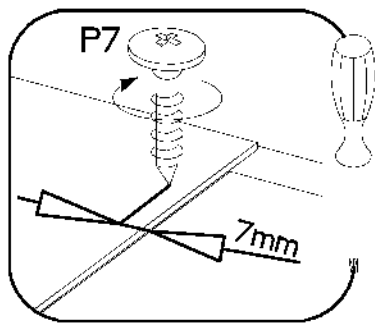
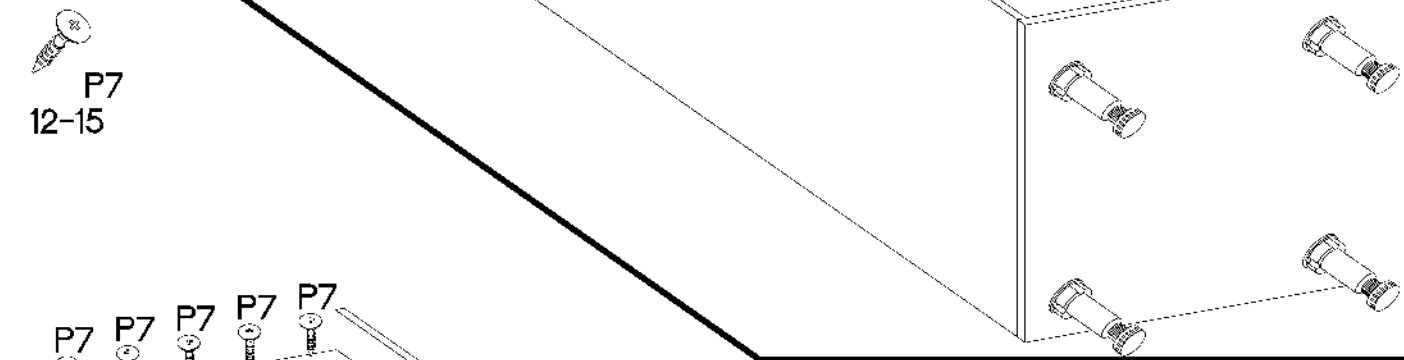


5



6

∅3.0x20mm  
P7  
12-15



+3.5x13mm

L=600mm



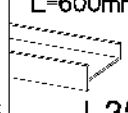
P5

12



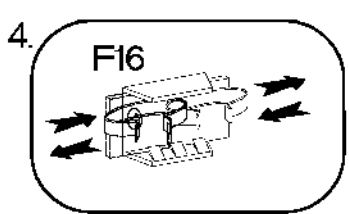
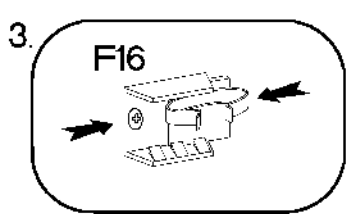
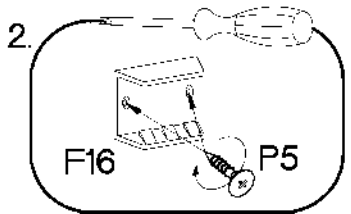
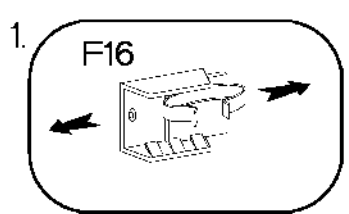
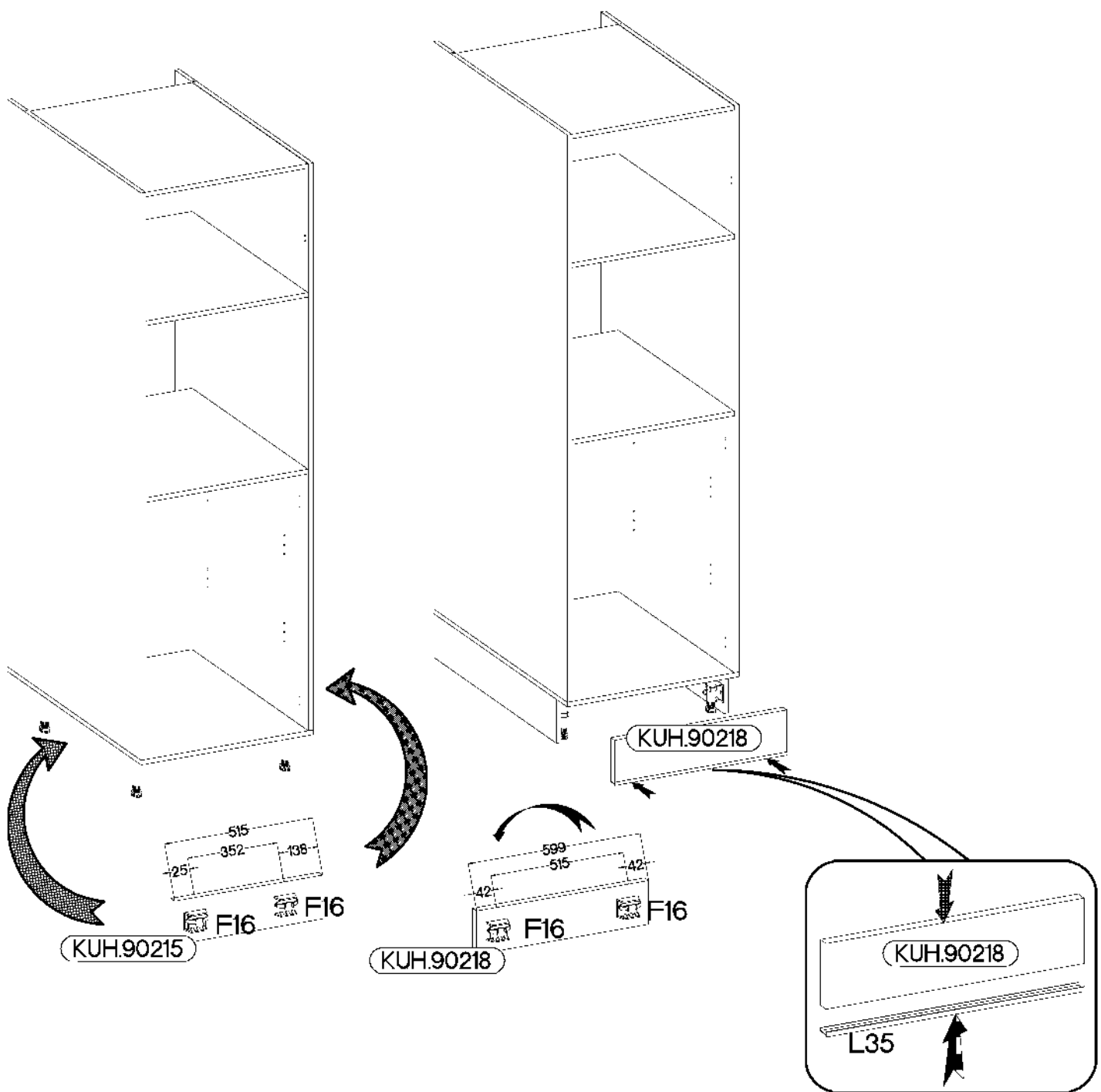
F16


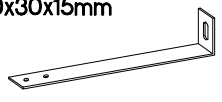
6

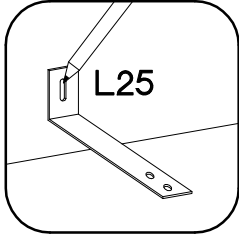
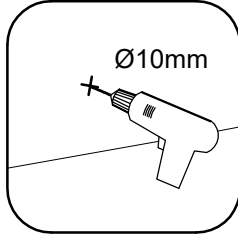
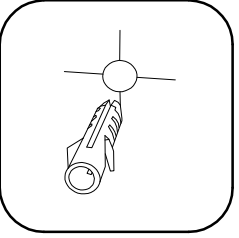
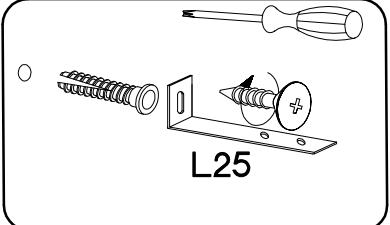
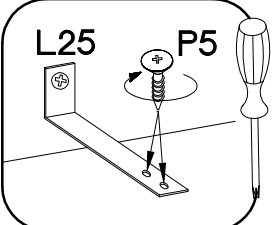


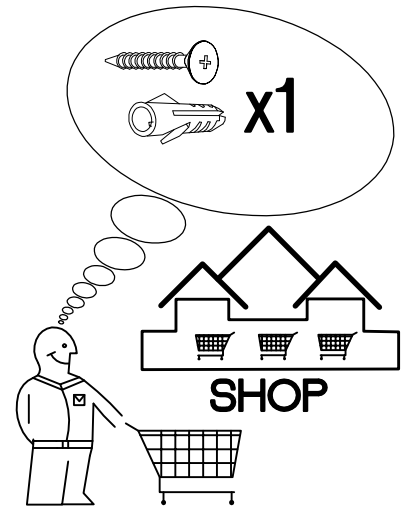
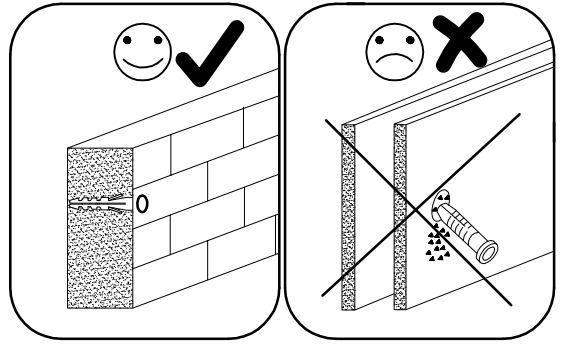
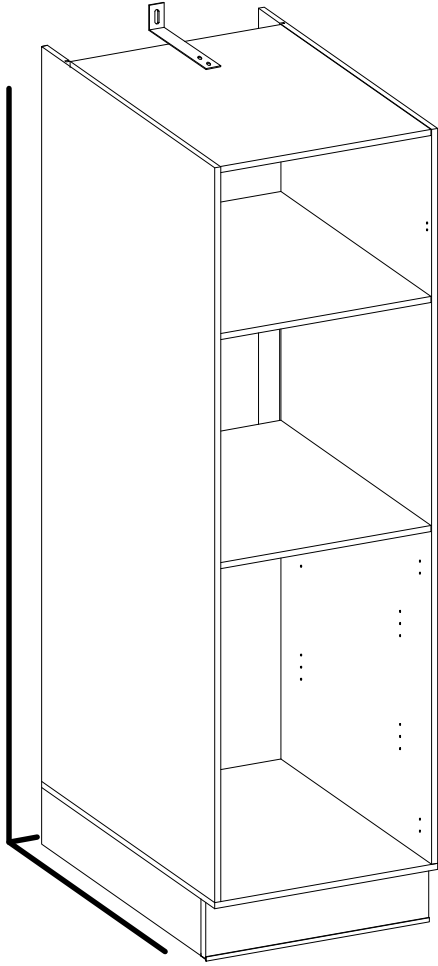
L35

1



|  |   |
|--|---|
| $\pm 3.5 \times 13 \text{mm}$<br><br>P5<br>2 | $120 \times 30 \times 15 \text{mm}$<br><br>L25<br>1 |
|--|---|

- 
- 
- 
- 
- 





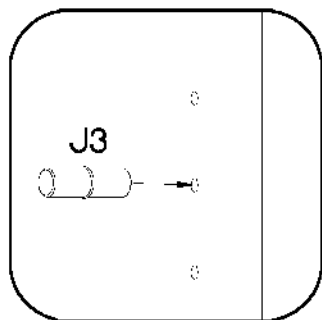
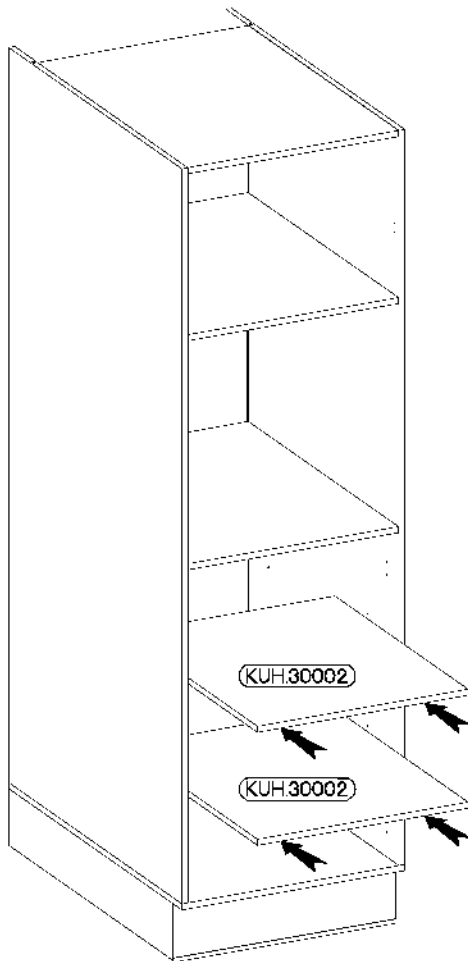


±5/16mm



J3

8



10

±35/0mm ±3.5x13mm



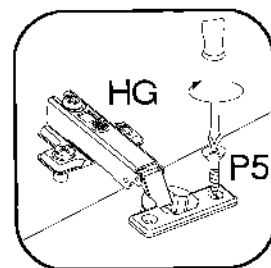
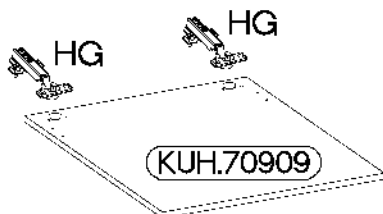
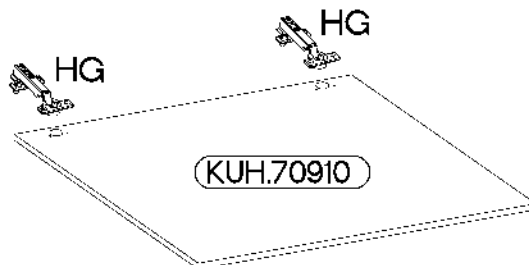
HG

4



P5

8





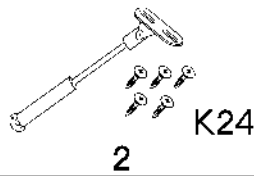
3.0x16mm

L=595mm

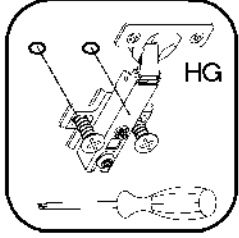
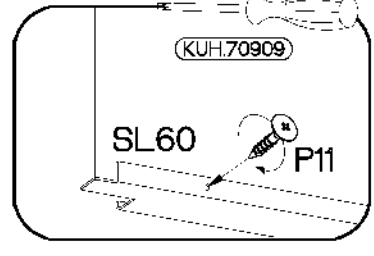
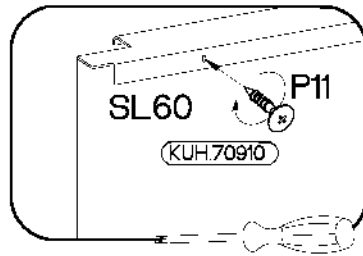


P11  
8

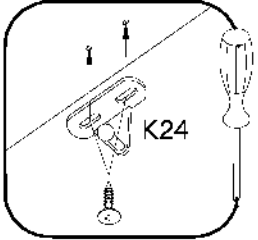
SL60  
2



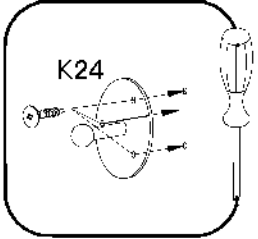
K24  
2



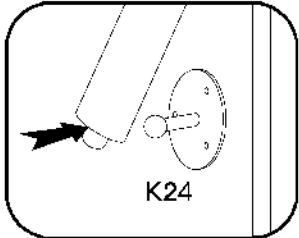
HG



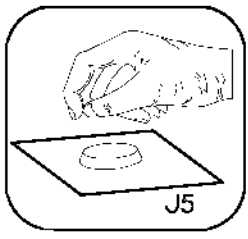
K24



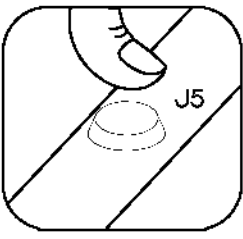
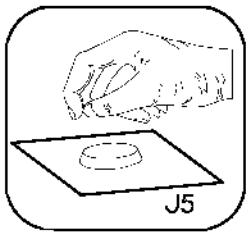
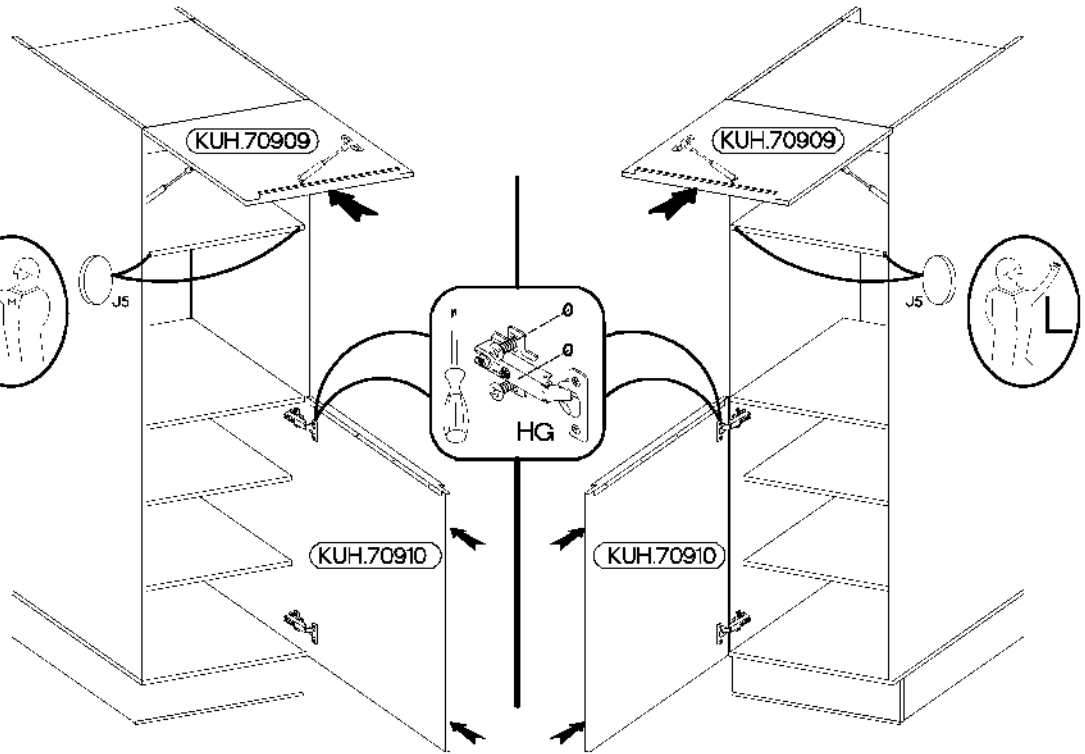
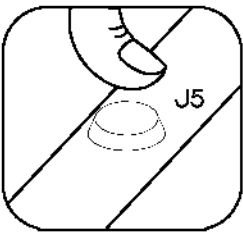
K24



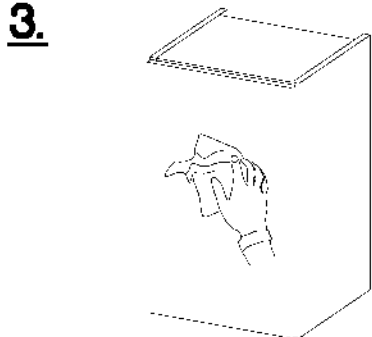
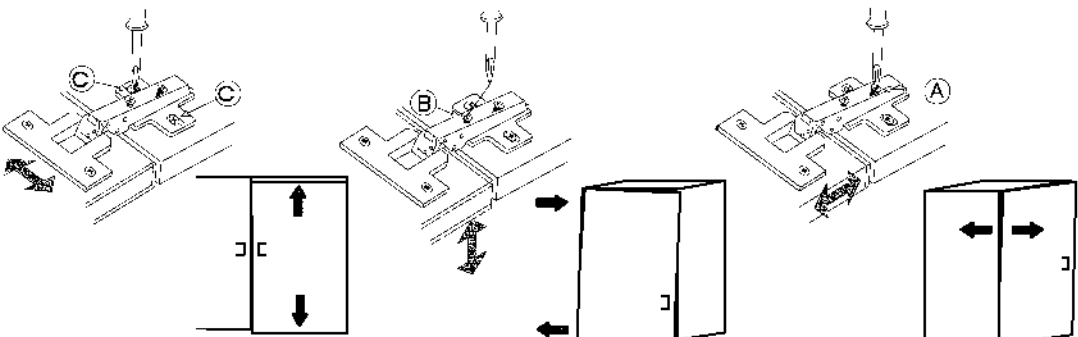
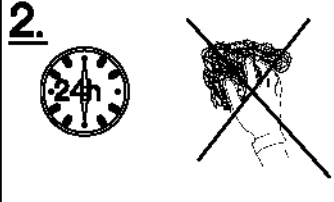
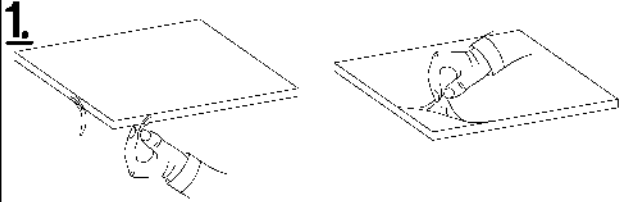
K24



J5

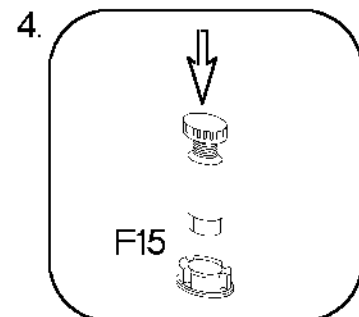
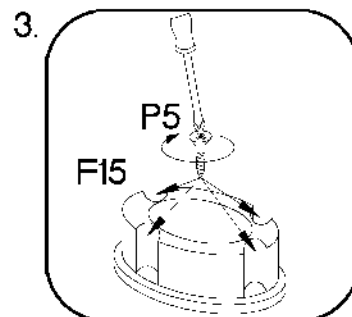
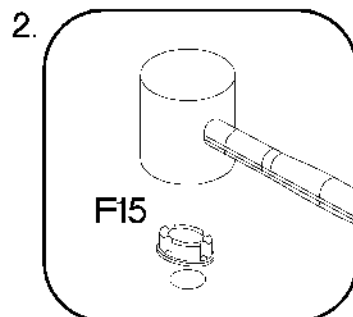
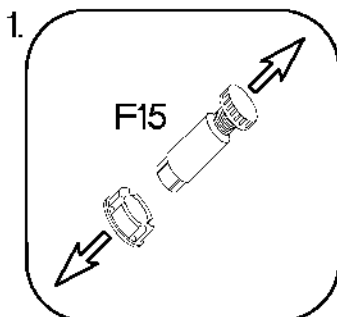
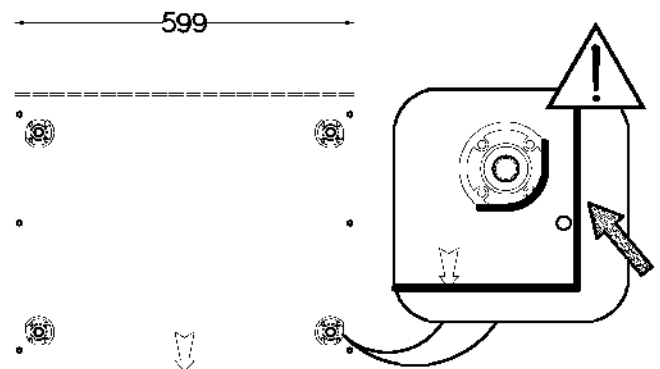
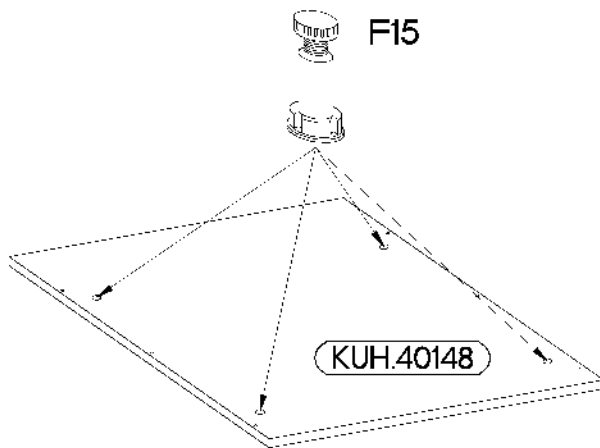
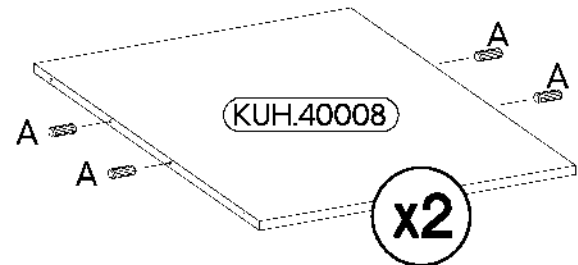
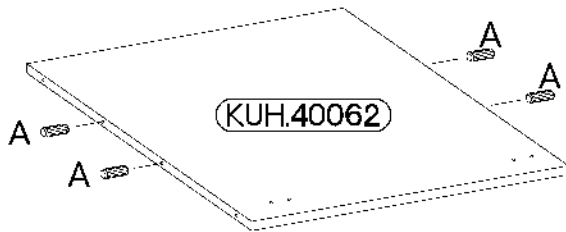
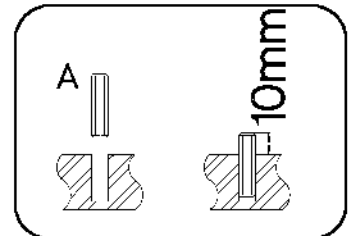
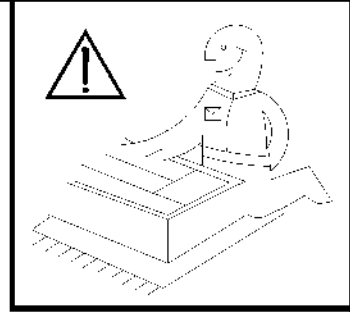
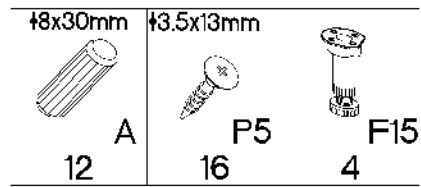
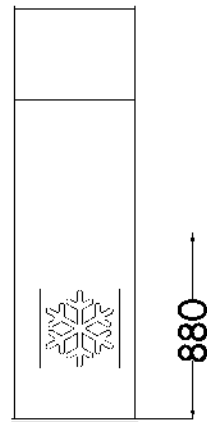
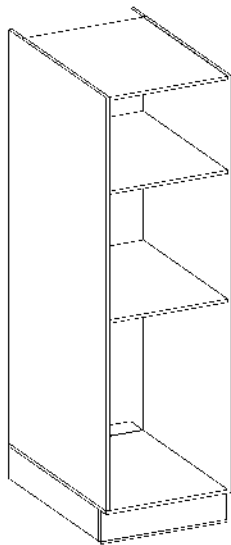


### VARIANT HIGH GLOSS



3.

# VARIANT 2



6,4 x 50mm



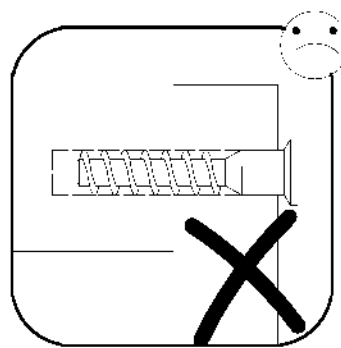
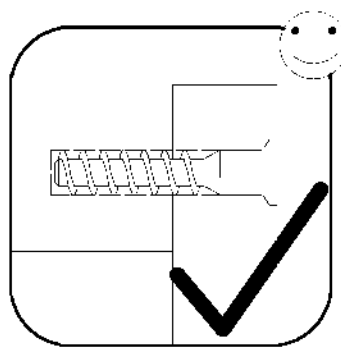
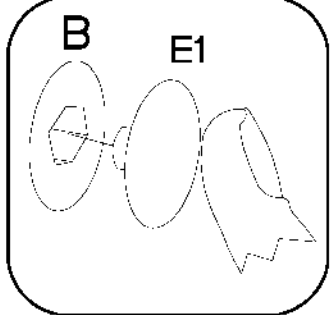
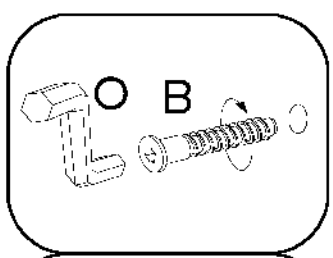
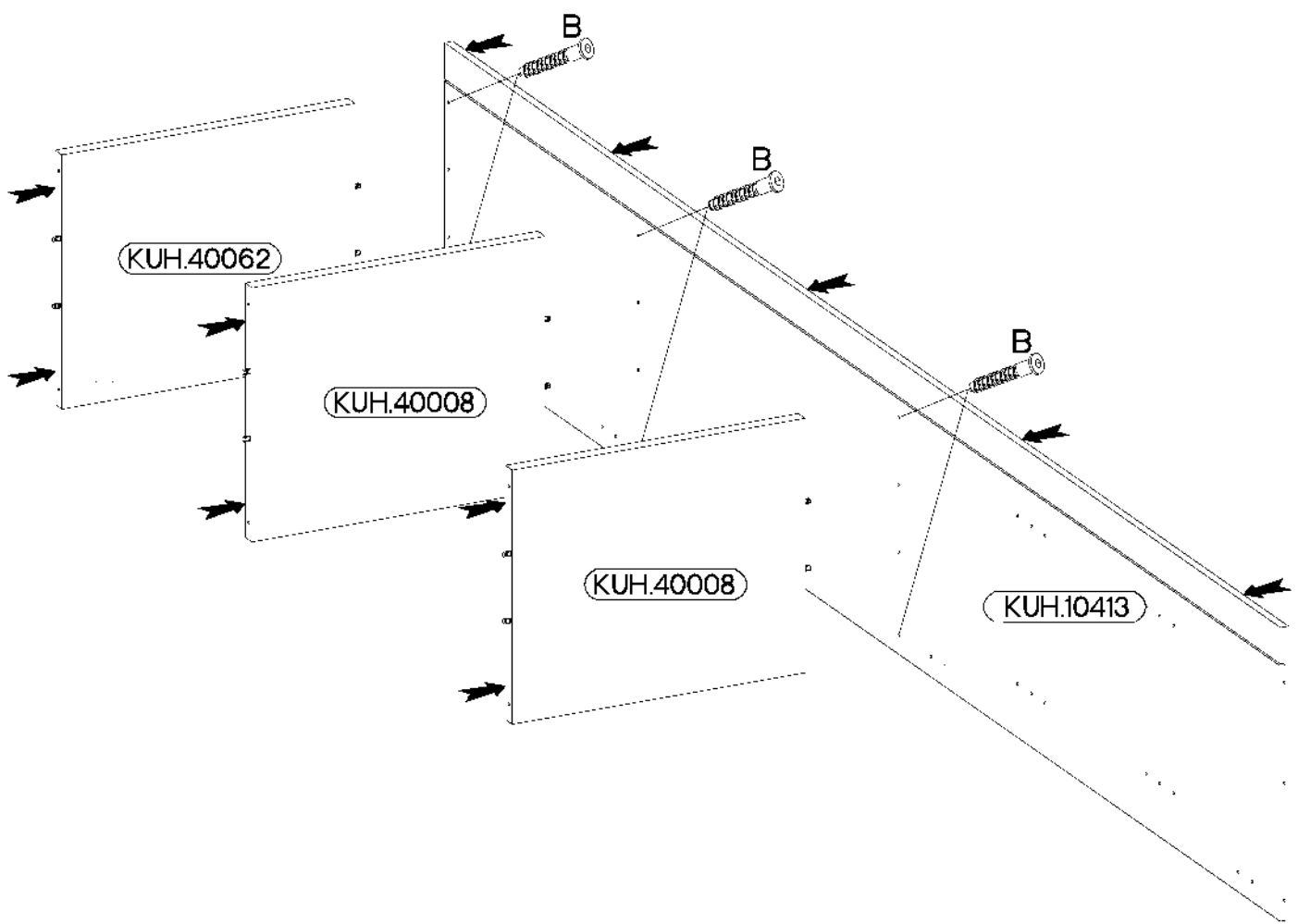
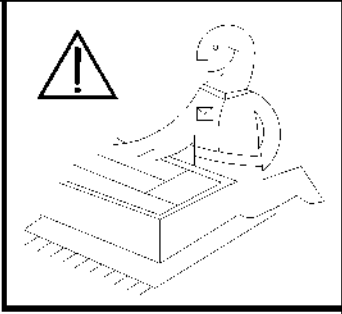
6 B



1 O



6 E1

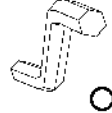


6,4 x 50mm



B

6



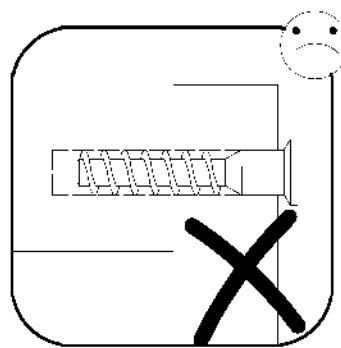
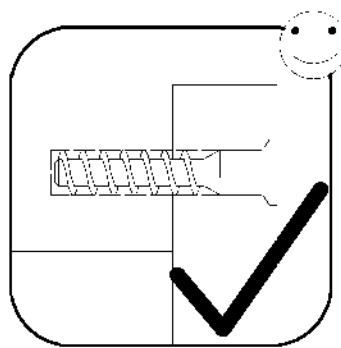
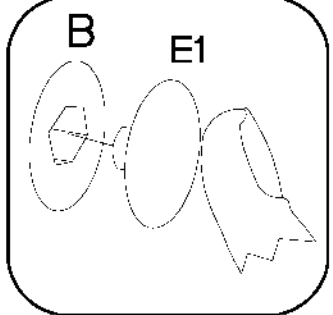
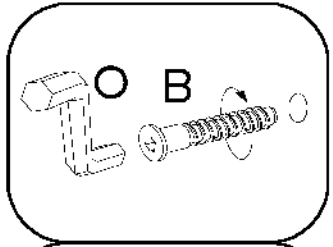
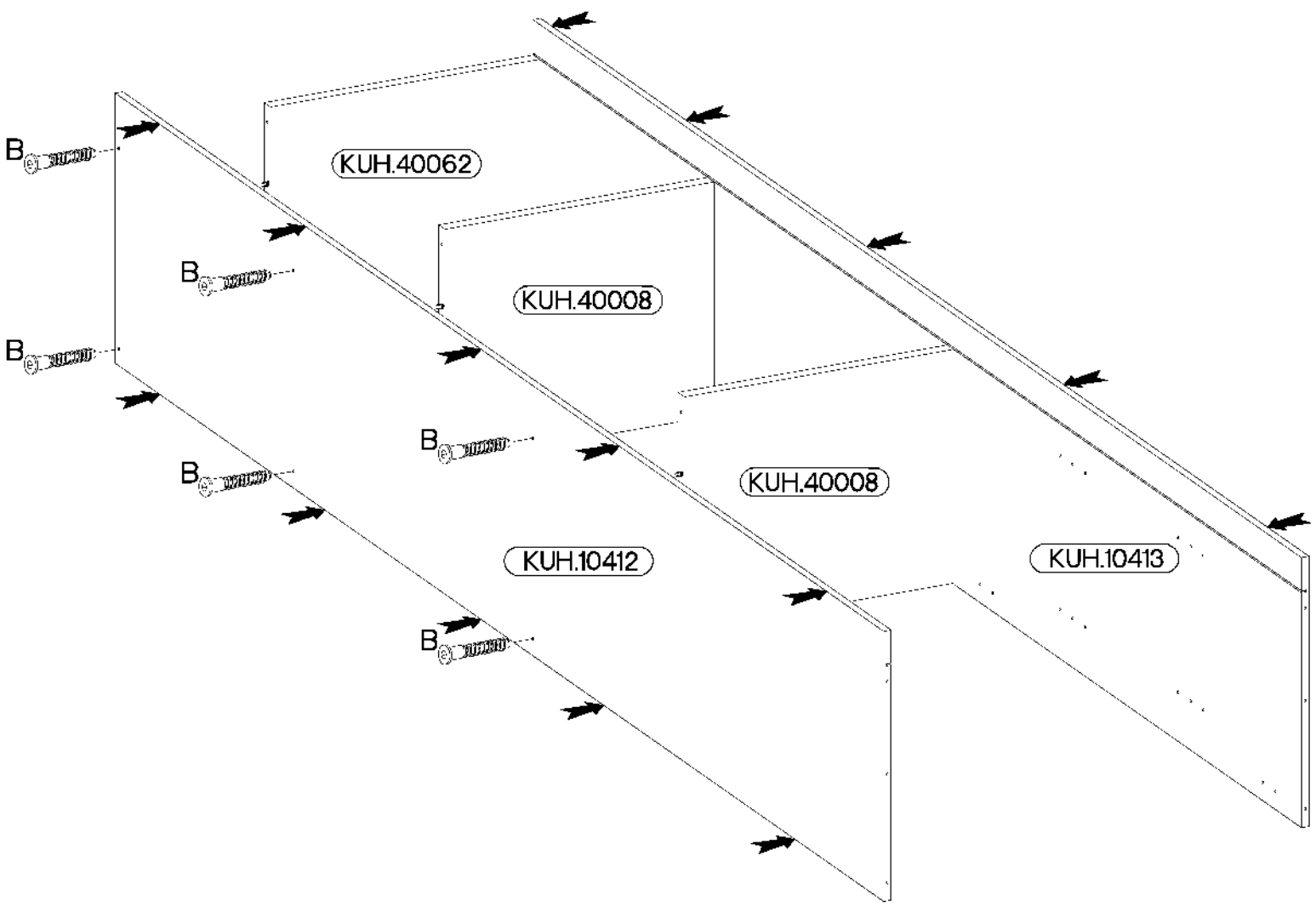
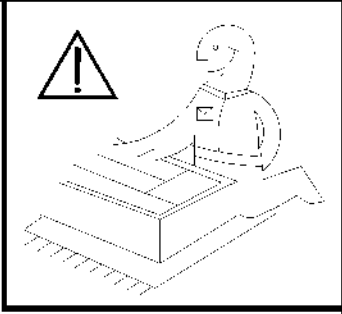
O

1

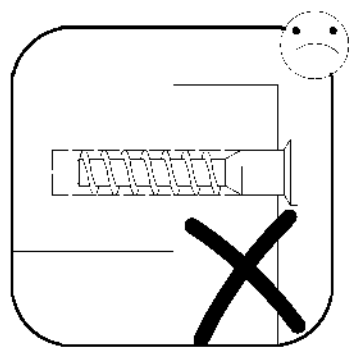
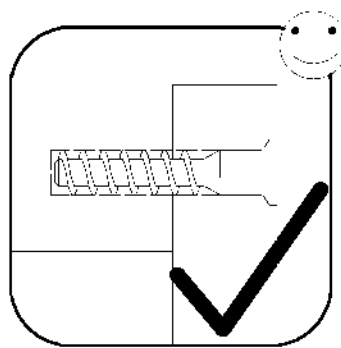
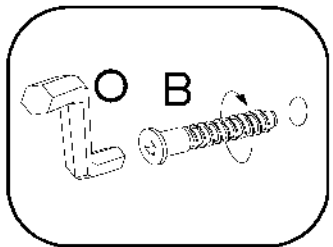
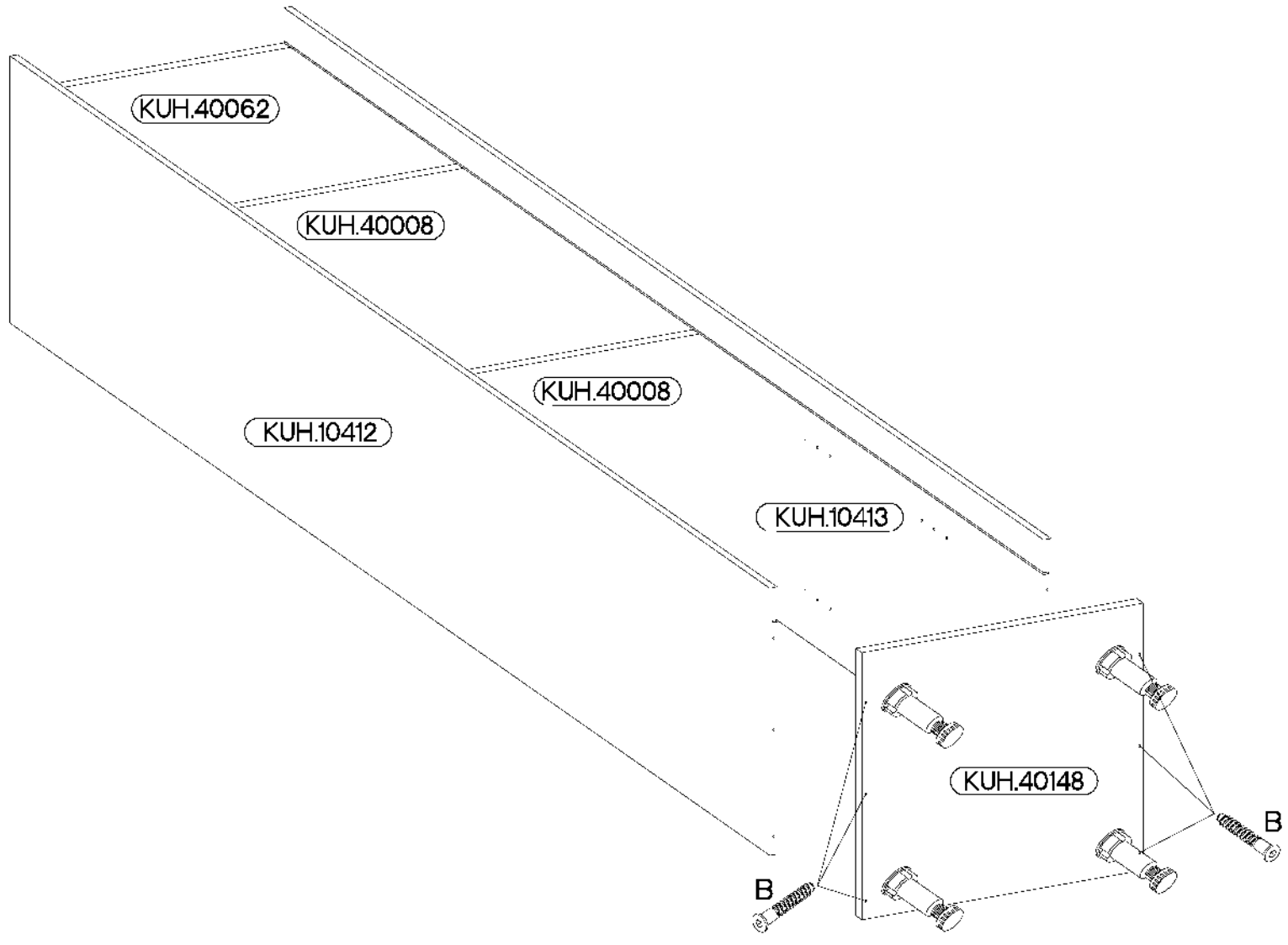
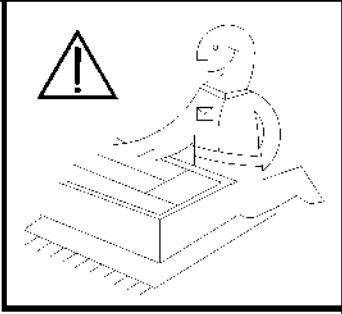
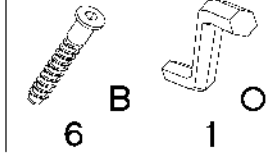


E1

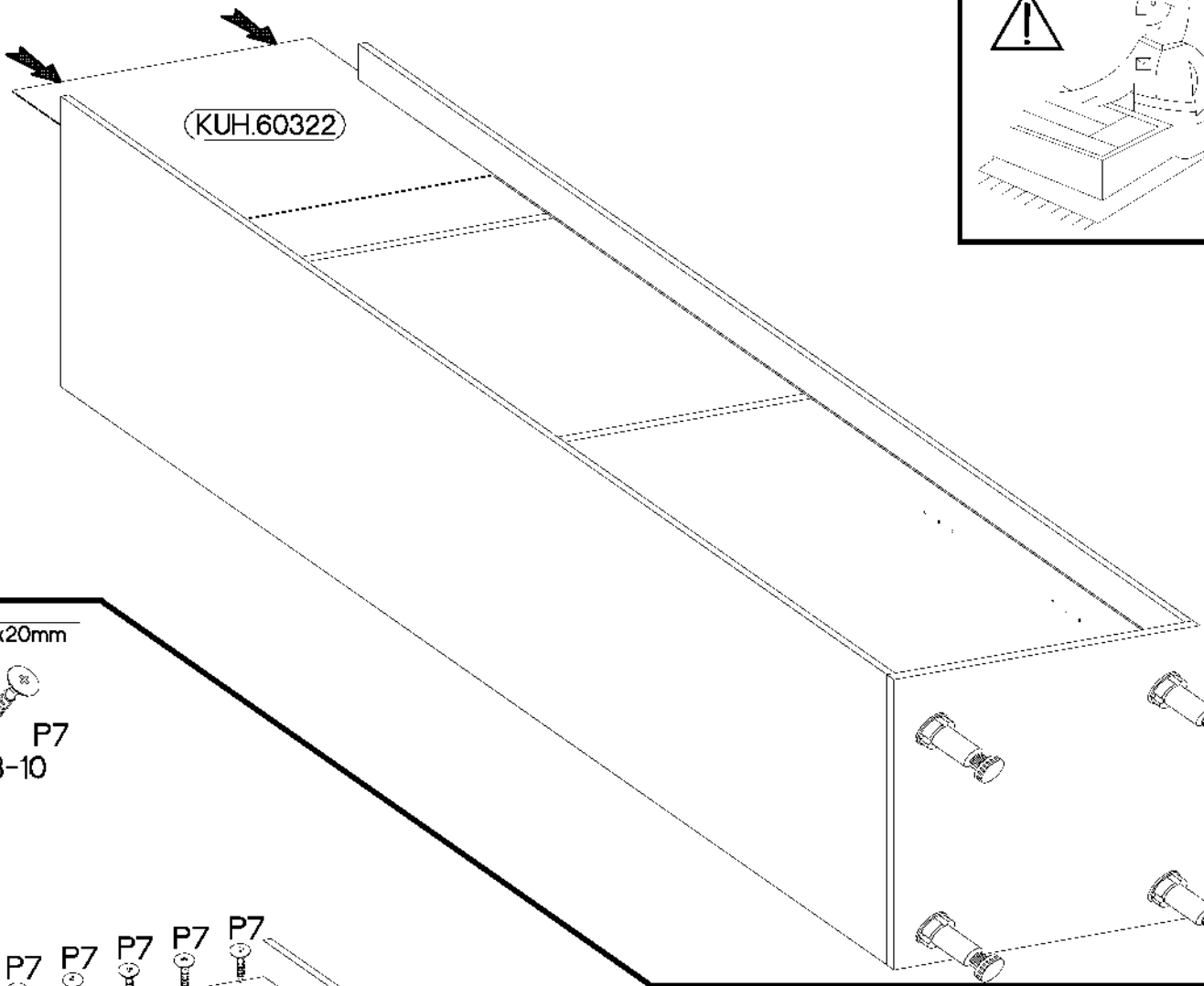
6



6,4 x 50mm

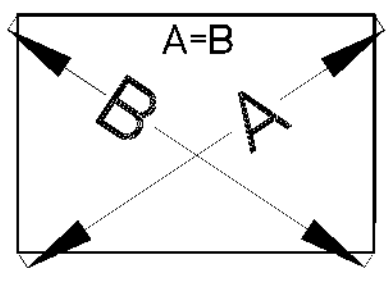
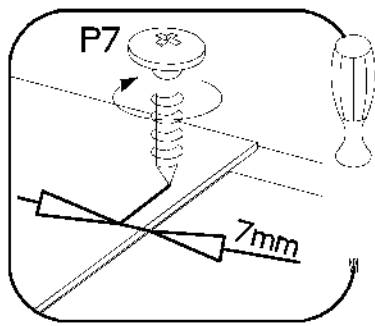
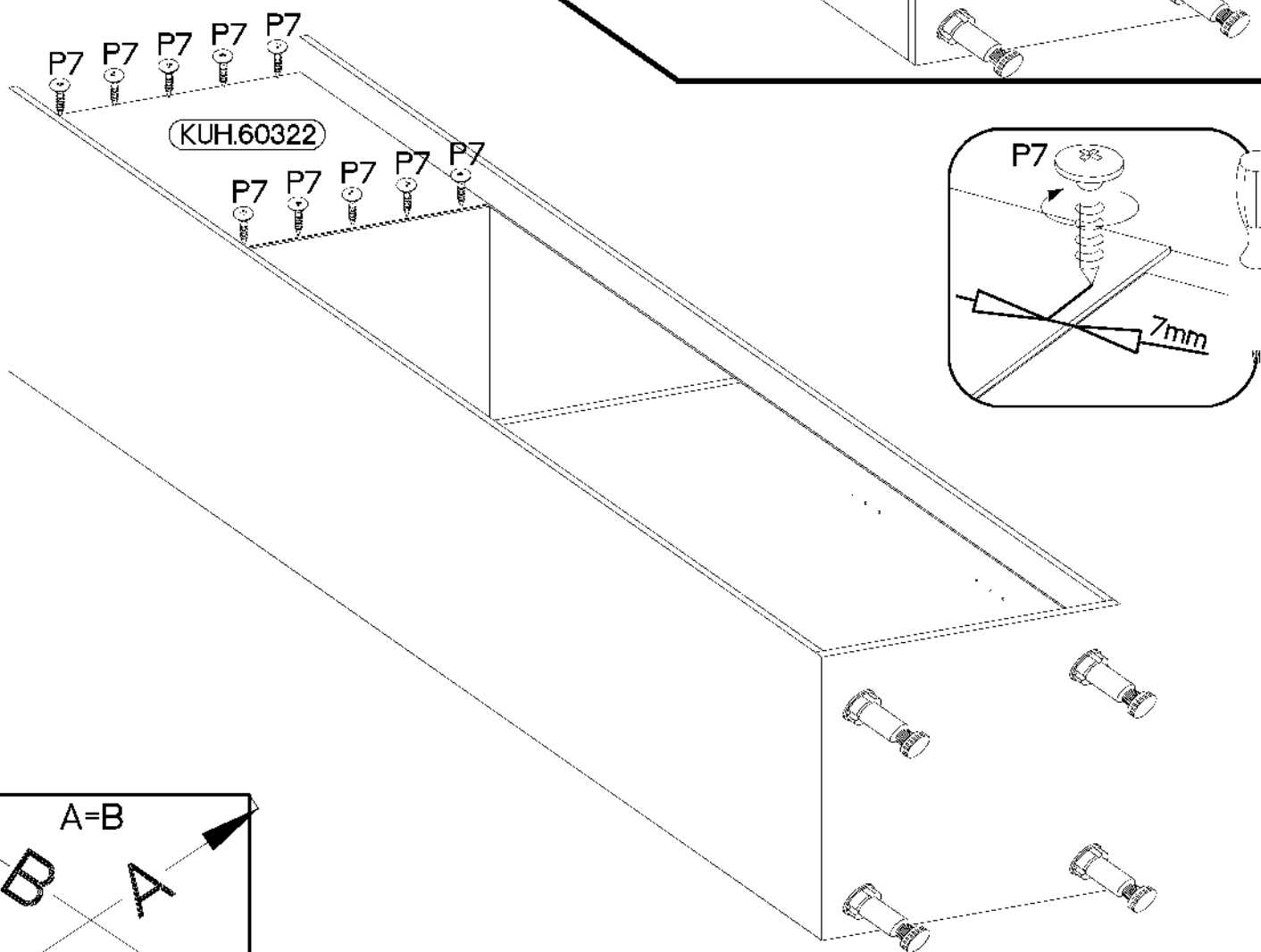


16



17

∅3.0x20mm  
P7  
8-10



+3.5x13mm

L=600mm



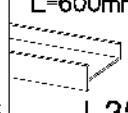
P5

12



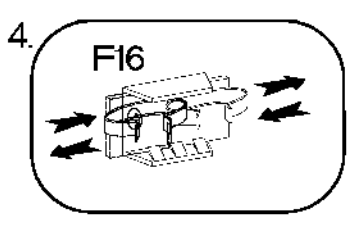
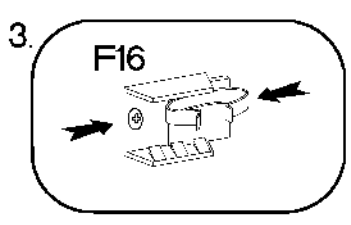
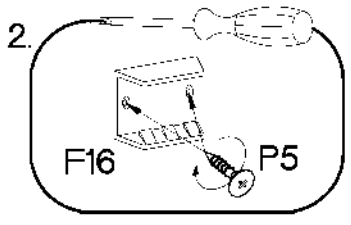
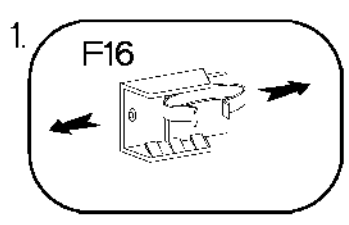
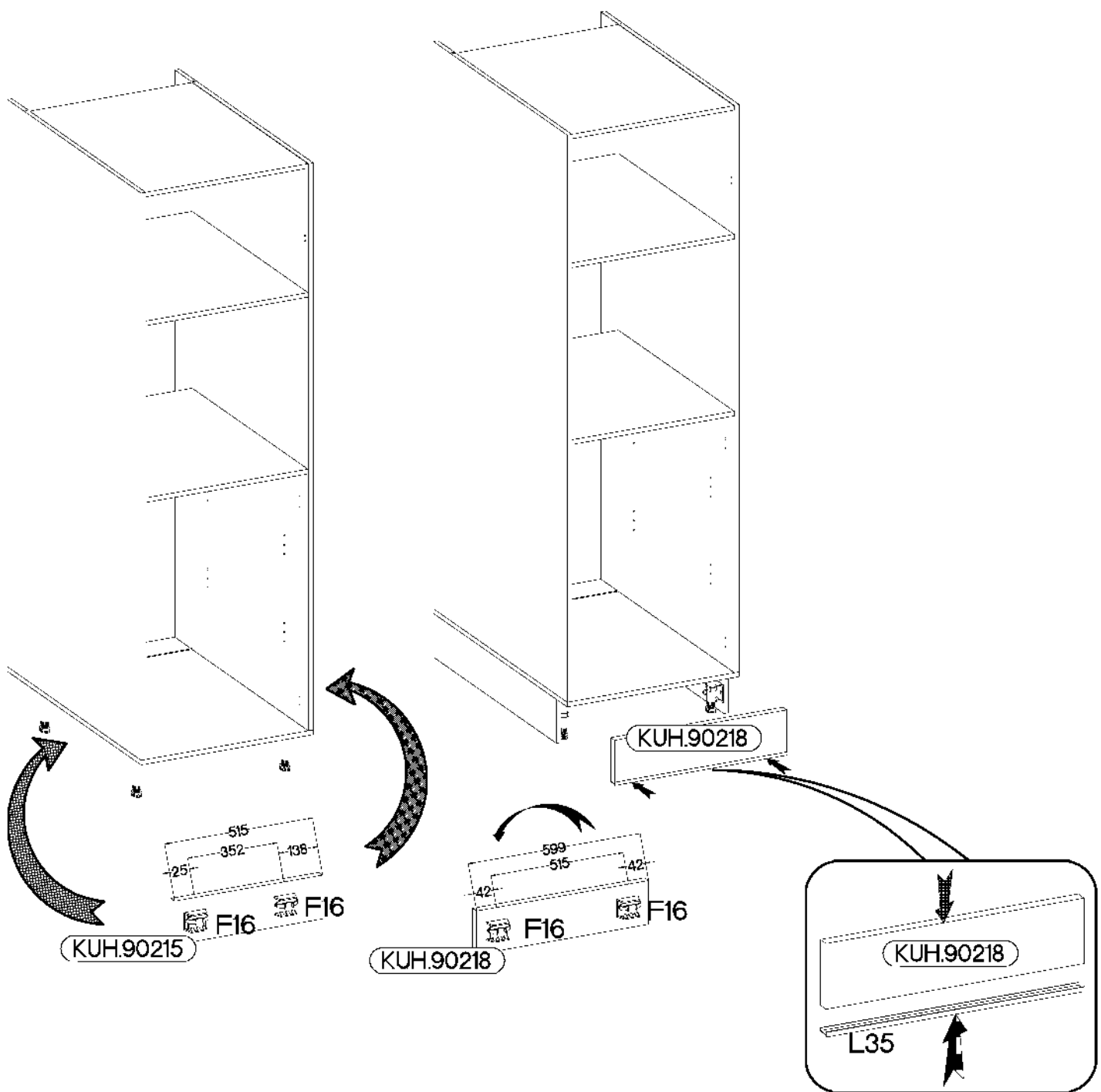
F16

6


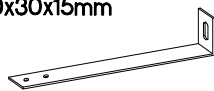


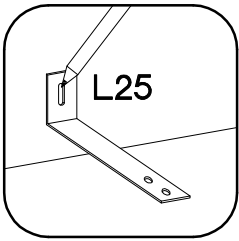
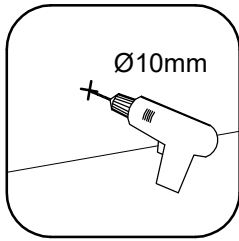
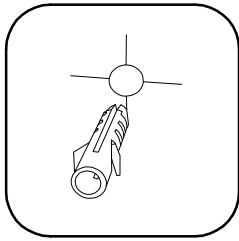
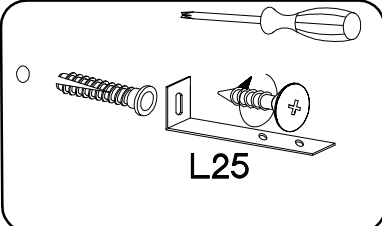
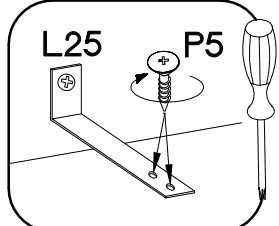
L35

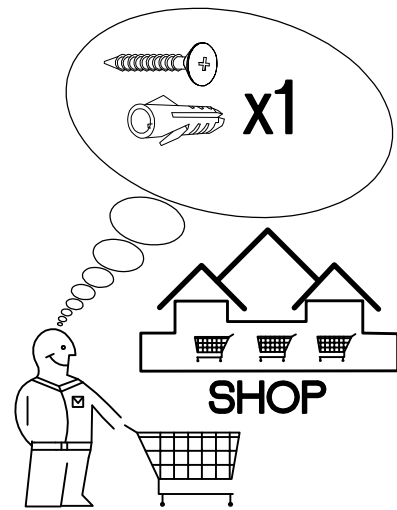
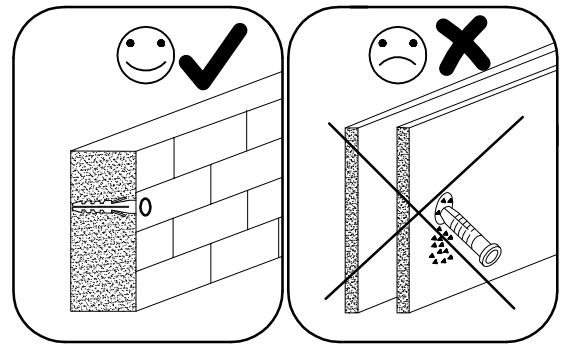
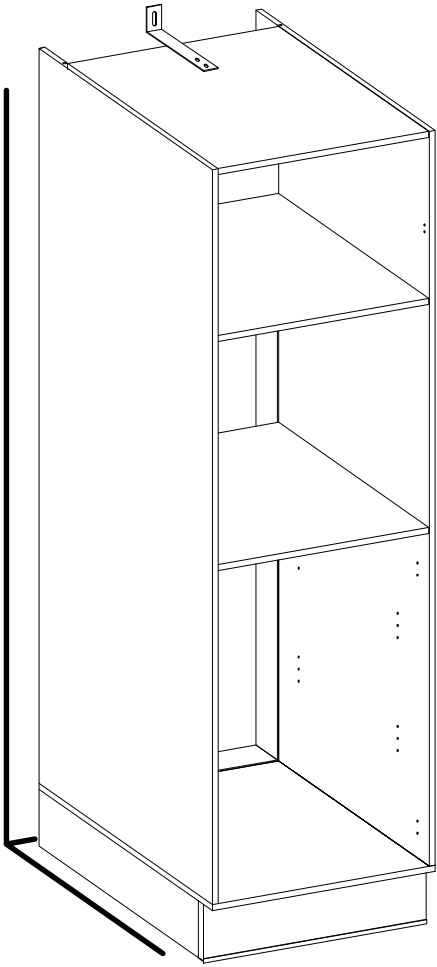
1





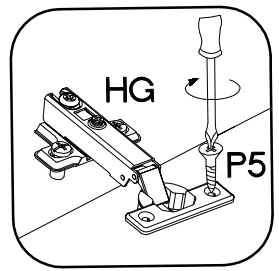
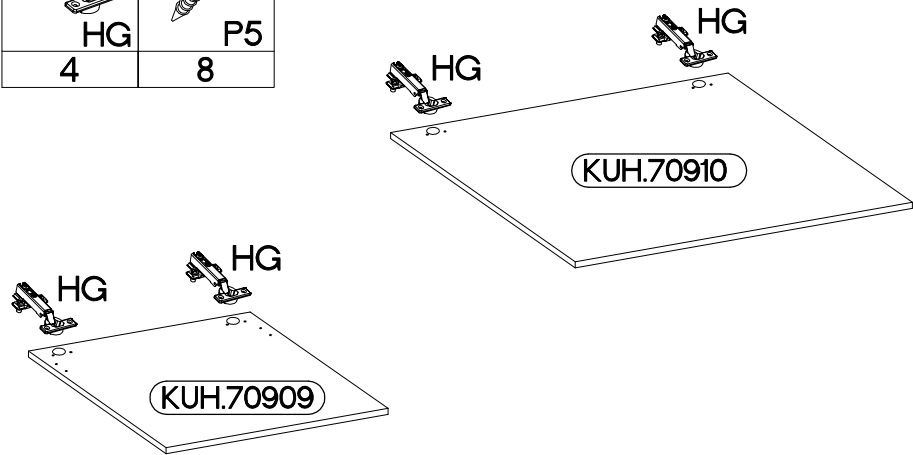


|  |   |
|--|---|
| ±3.5x13mm<br><br>P5<br>2 | 120x30x15mm<br><br>L25<br>1 |
|--|---|

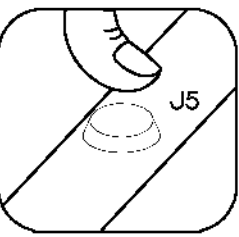
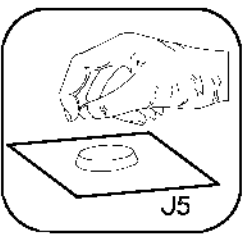
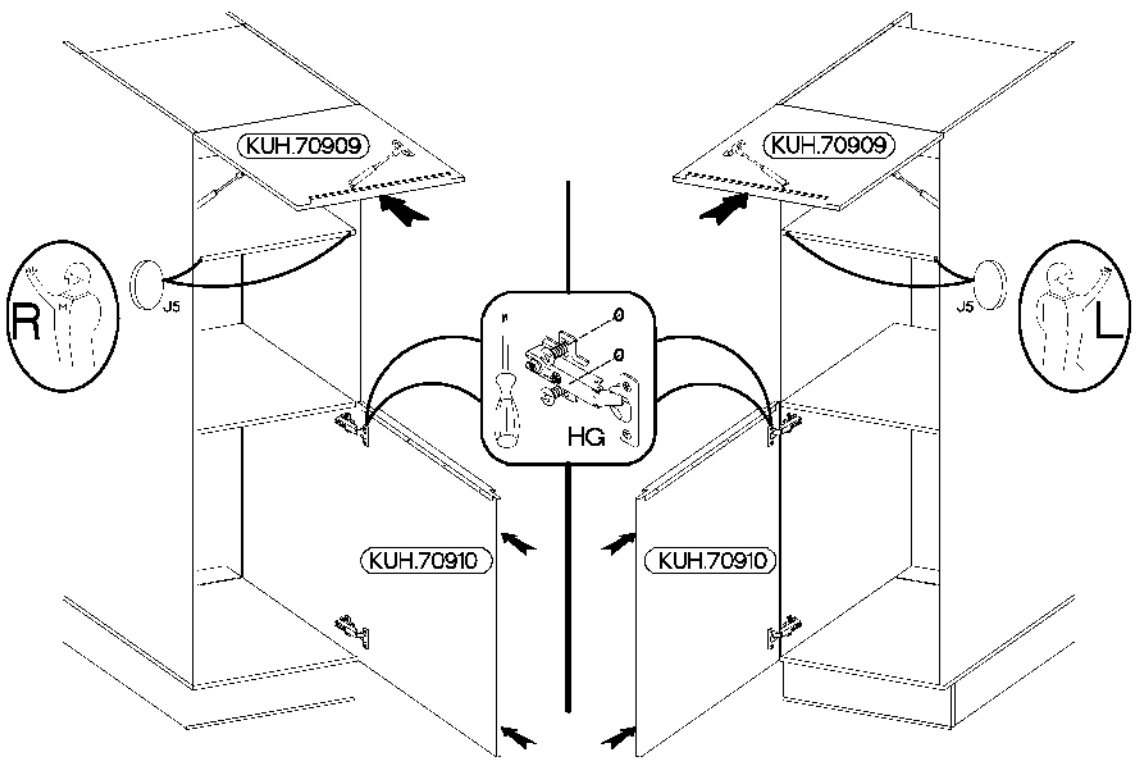
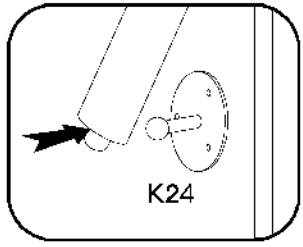
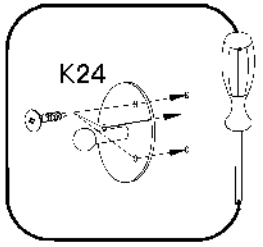
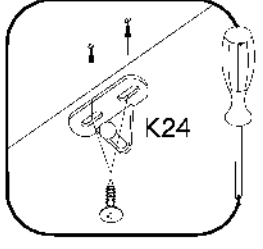
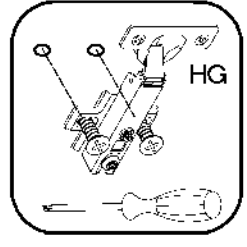
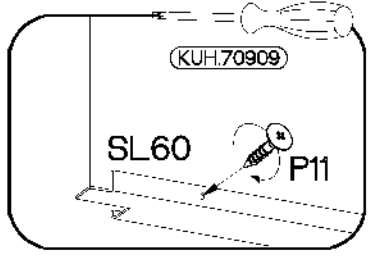
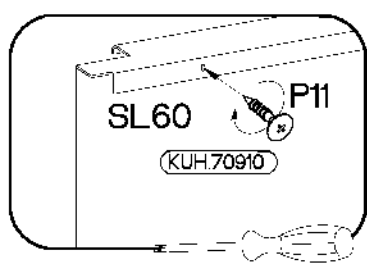
- 
- 
- 
- 
- 



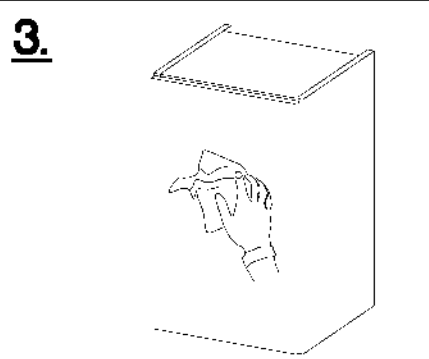
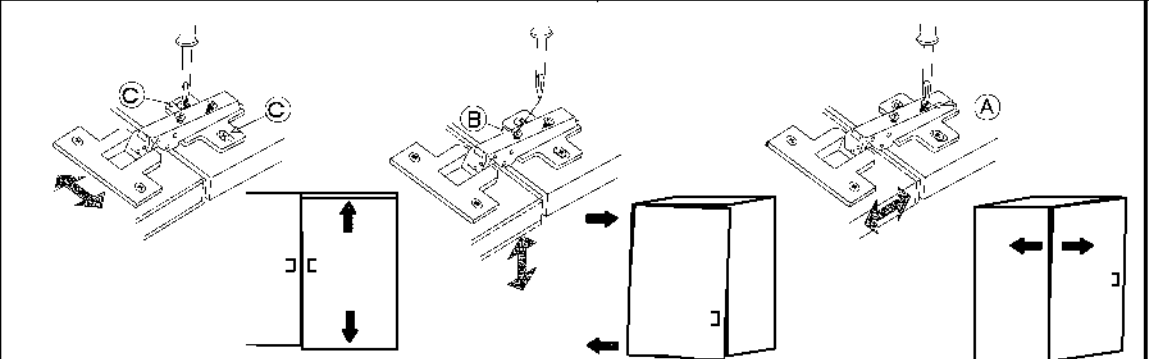
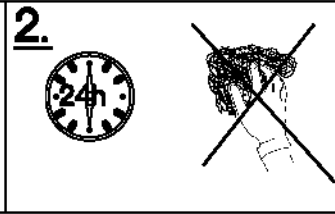
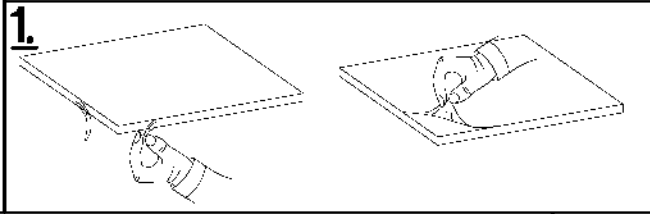
|   |   |
|---|---|
| ±35/0mm<br><br>HG<br>4 | ±3.5x13mm<br><br>P5<br>8 |
|---|---|

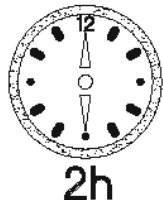
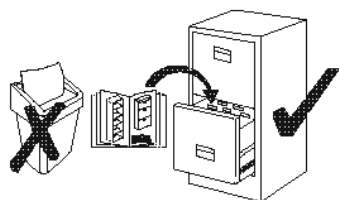
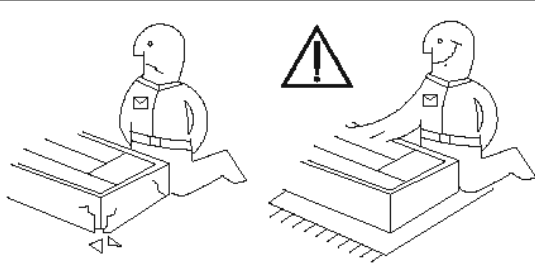
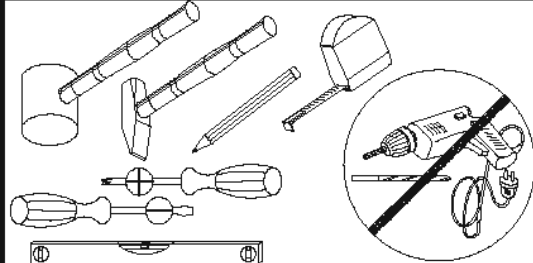
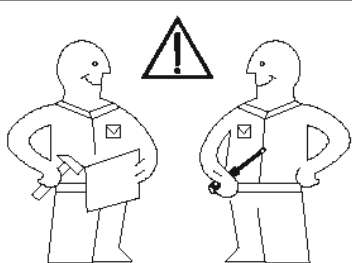


- ±3.0x16mm P11 8
- L=595mm SL60 2
- K24 2



VARIANT HIGH GLOSS



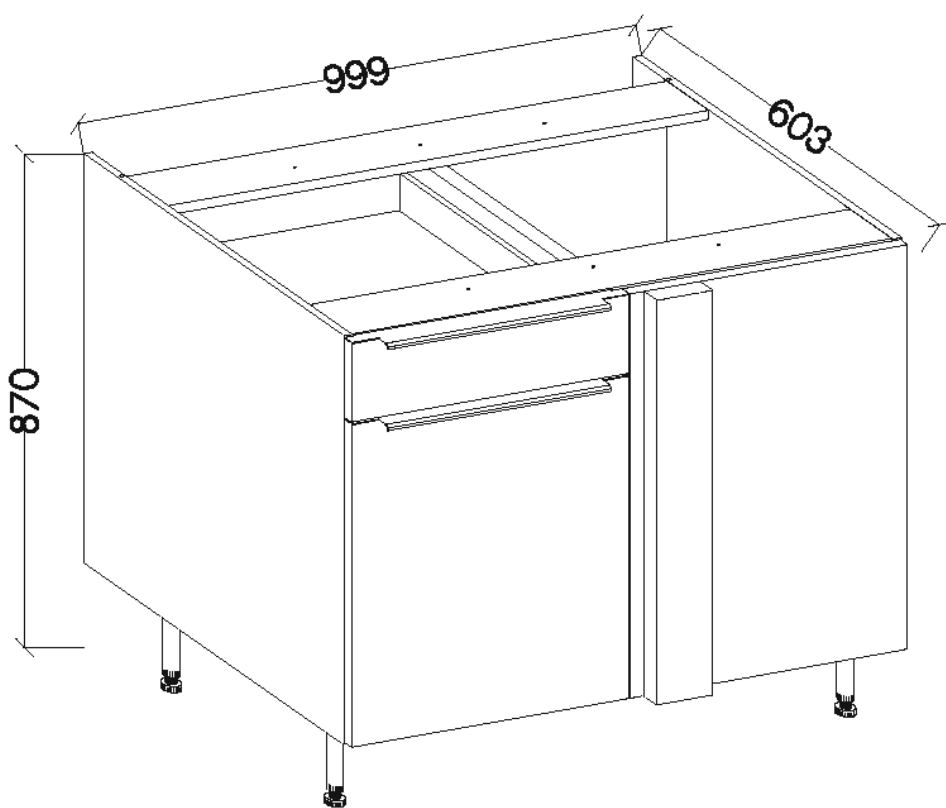


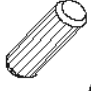


SAFADO / MARLEEN




73-156-...  
73-15G-...  
73-15H-...







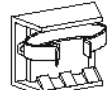

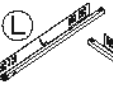


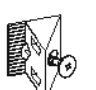









**respekta®**



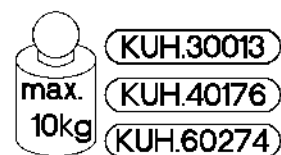
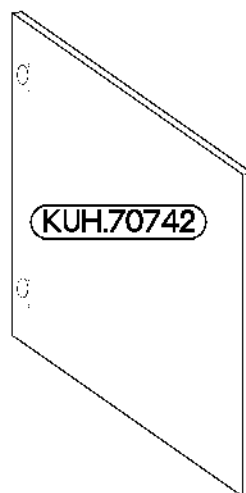
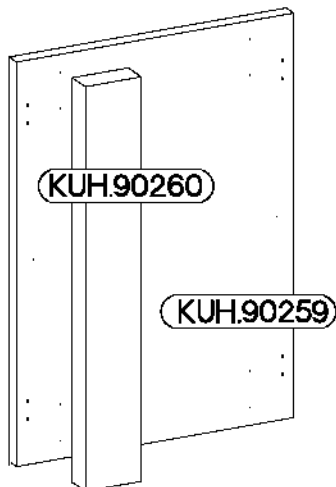
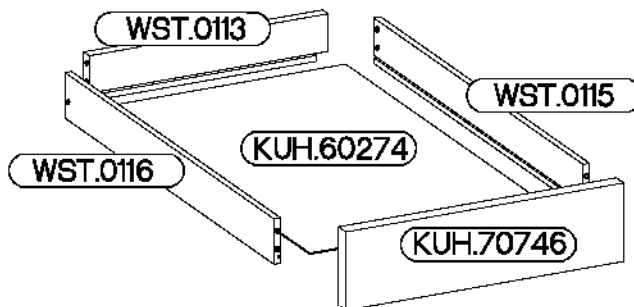
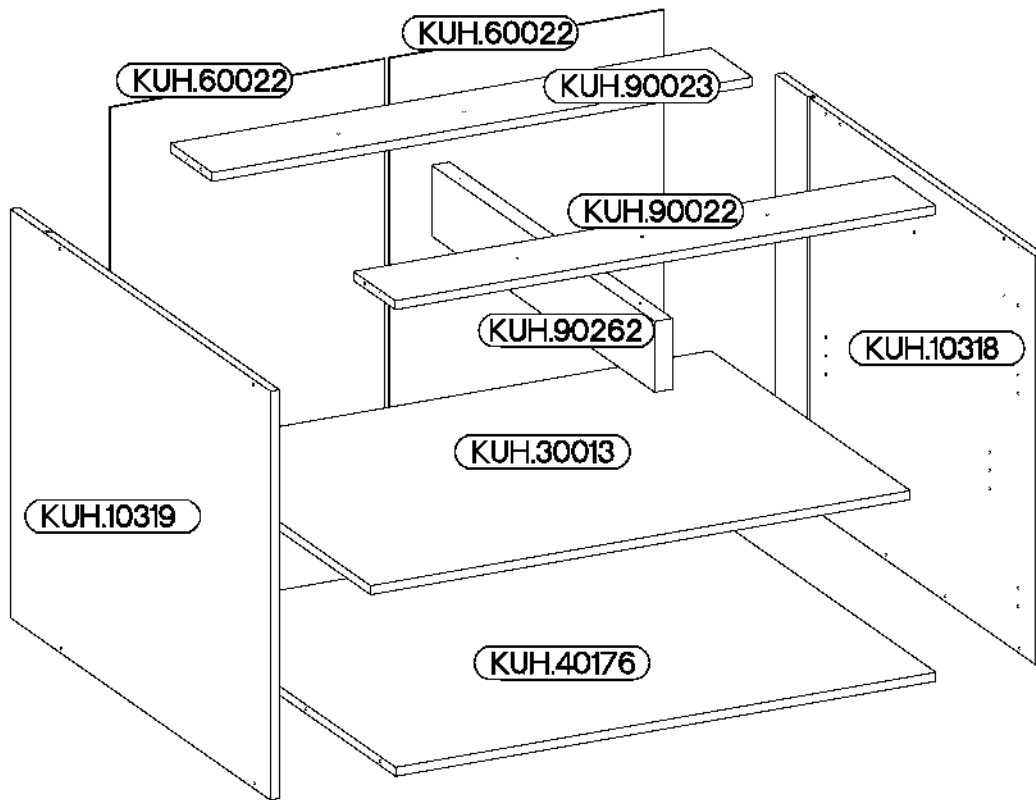
|   |   |  |
|---|---|--|
| ±8x30mm<br> | 6,4 x 50mm<br> | ±6x42mm<br> |
| A   | B   | B2   |

|  |   |   |
|--|---|---|
| 12   | 10  | 2   |
| ±12/10mm<br> | L=20mm<br> |  |
| C5   | D2  | E1  |

|   |   |   |
|---|---|---|
| ±6.3x13mm<br> |  |  |
| M2  | O   | O1  |

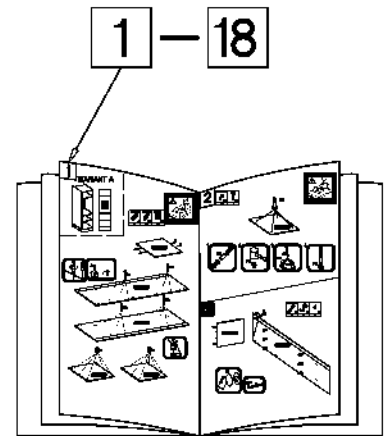
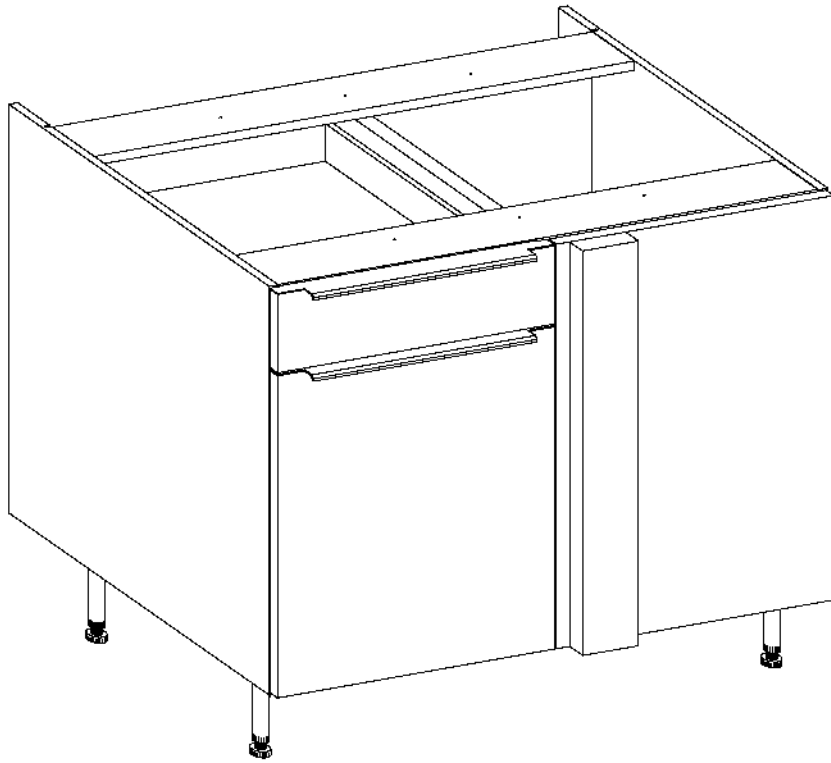
|  |  |  |  |  |  |  |  |
|--|--|--|--|--|--|--|--|
|               |               | ±35/90°<br>   |              |               | ±5/16mm<br>   |             | L=680mm<br> |
| F15  | F16  | HG6  | L=450mm  | I11  | J3   | L  | L1   |
| 4  | 2  | 2  | 1  | 1  | 4  | 2  | 1  |
| ±4.0x16mm<br> | ±3.5x13mm<br> | ±3.0x20mm<br> | ±4.0x30mm<br> | ±3.0x16mm<br> | ±4.0x35mm<br> | L=495mm<br> |             |
| P1   | P5   | P7   | P8   | P11  | R3   | SL50   | T3   |
| 10   | 24   | 15-20  | 2  | 6  | 4  | 2  | 5  |

**ISM-KUH-01596**

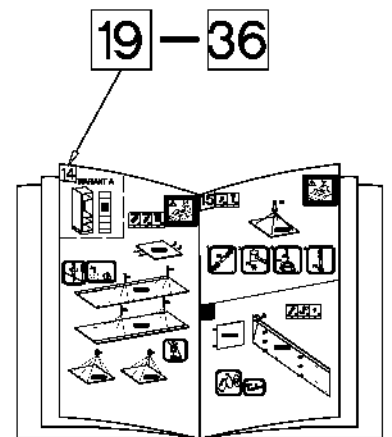
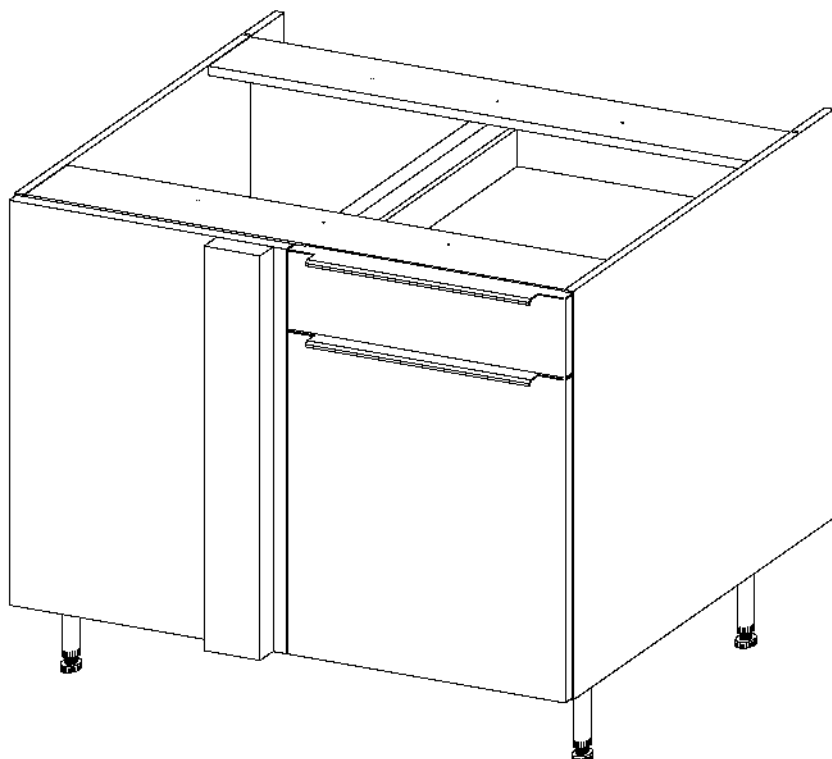


| Colli        | Spare Part   | Dimension   |
|--------------|--------------|-------------|
| Colli<br>1/2 | KUH.10318    | 720x560x16  |
|              | KUH.10319    | 720x560x16  |
|              | KUH.30013    | 966x430x16  |
|              | KUH.40176    | 967x485x16  |
|              | KUH.60022 x2 | 713x491x2,5 |
|              | KUH.60274    | 448x437x2,5 |
|              | KUH.70742    | 568x496x16  |
|              | KUH.70746    | 138x496x16  |
|              | KUH.90259    | 713x496x16  |
|              | KUH.90260    | 713x100x28  |
|              | KUH.90262    | 480x125x32  |
|              | WST.0113     | 427x80x12   |
|              | WST.0115     | 450x80x12   |
| WST.0116     | 450x80x12    |             |
| Colli<br>2/2 | KUH.90022    | 967x90x16   |
|              | KUH.90023    | 967x90x16   |

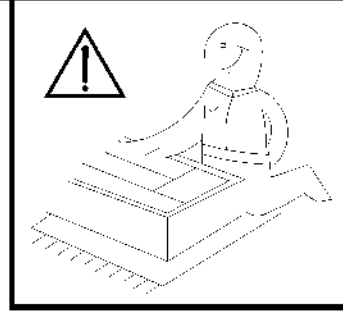
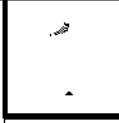
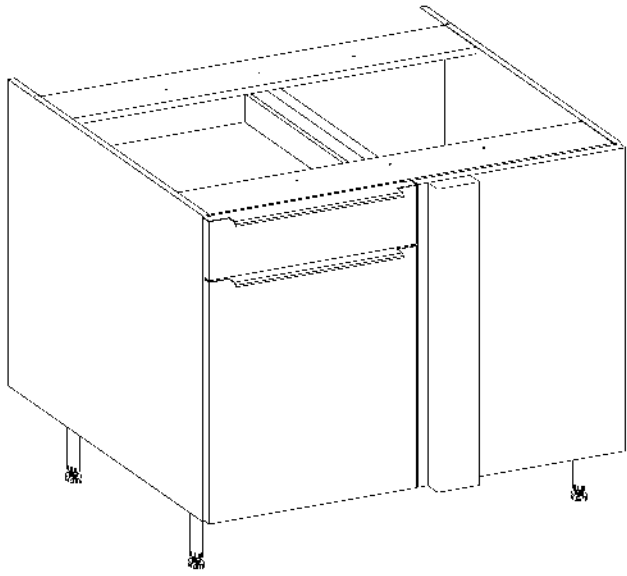
# VARIANT L



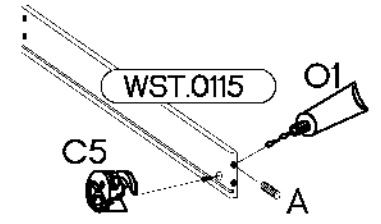
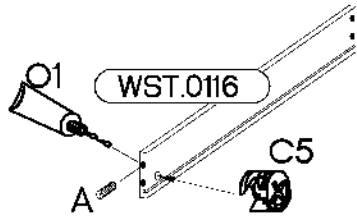
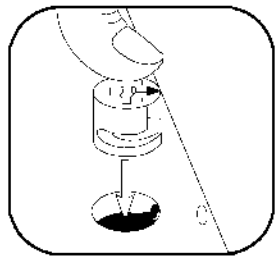
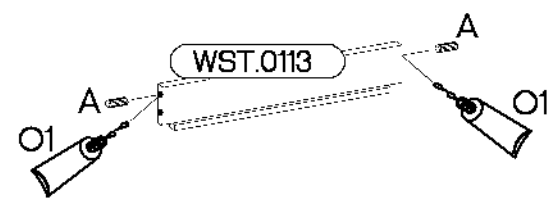
# VARIANT R



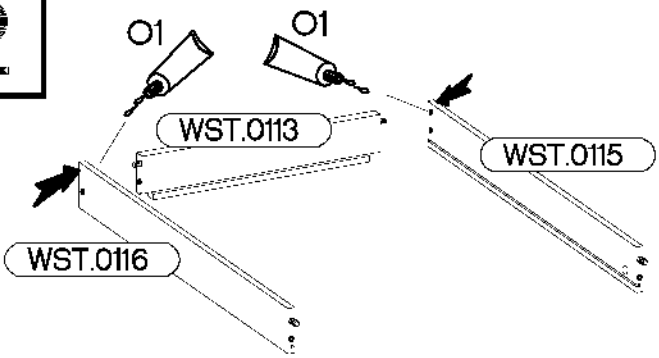
# VARIANT L



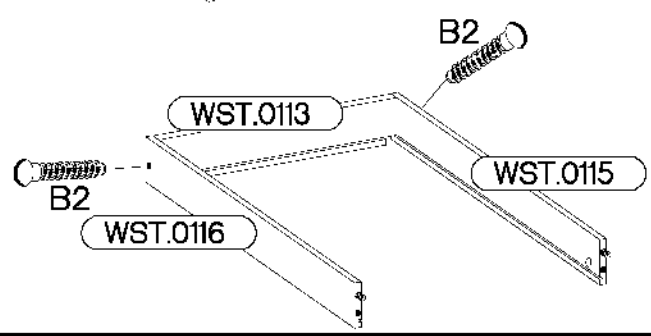
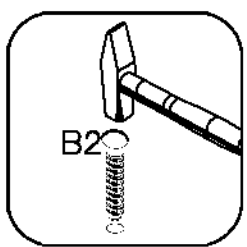
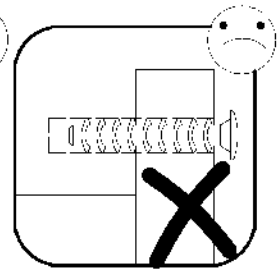
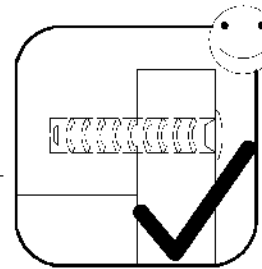
|                         |                       |             |
|-------------------------|-----------------------|-------------|
| +12/10mm<br><br>C5<br>2 | +8x30mm<br><br>A<br>4 | <br>O1<br>1 |
|-------------------------|-----------------------|-------------|



2

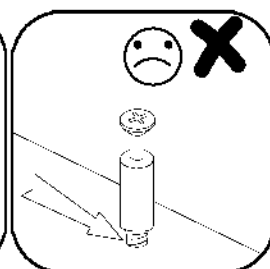
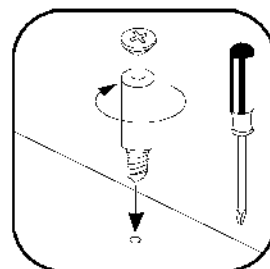
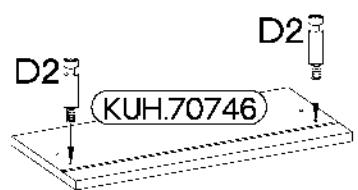


|                        |             |
|------------------------|-------------|
| +6x42mm<br><br>B2<br>2 | <br>O1<br>1 |
|------------------------|-------------|

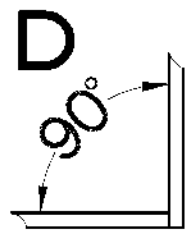
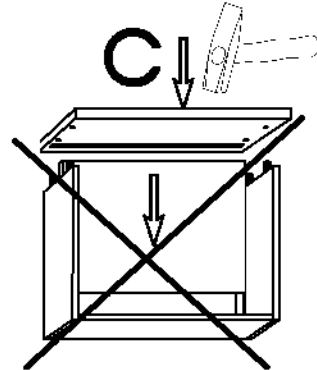
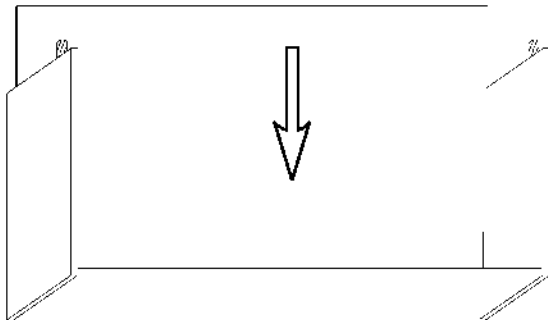
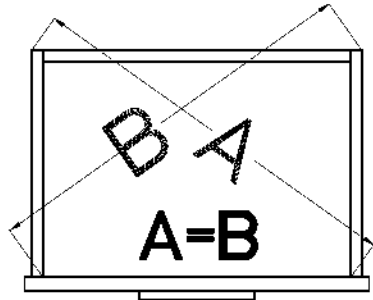
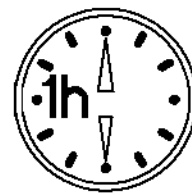
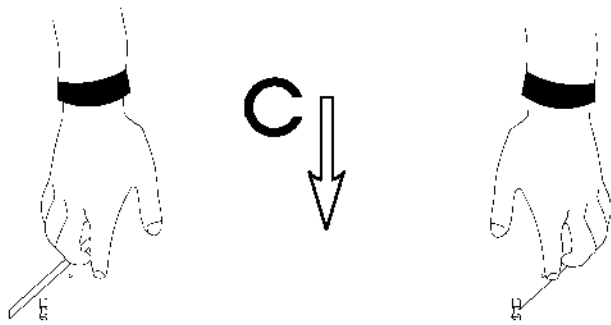
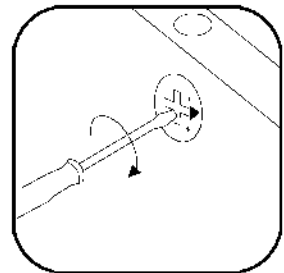
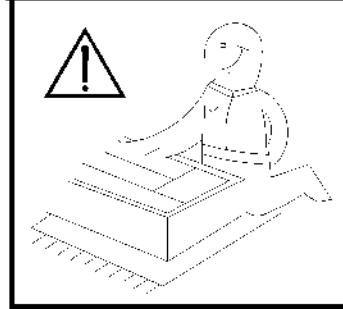
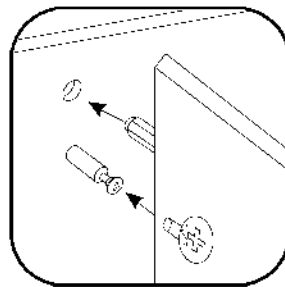
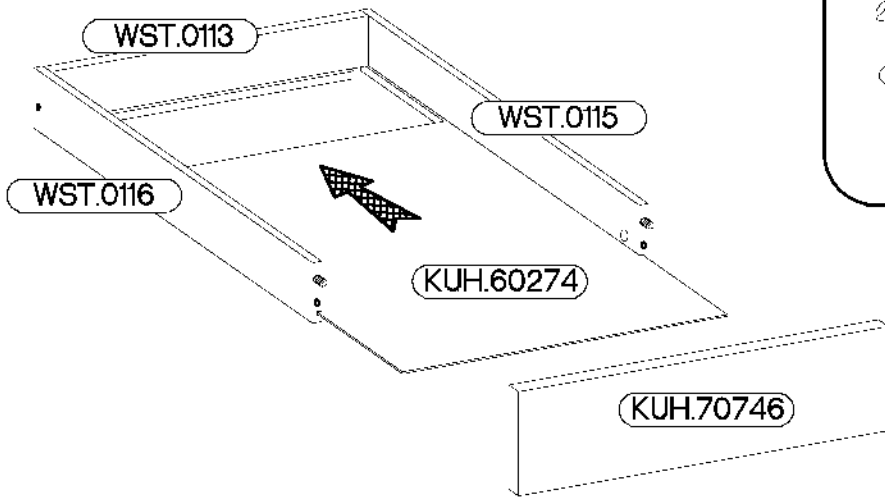


3

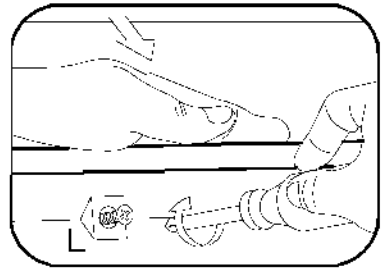
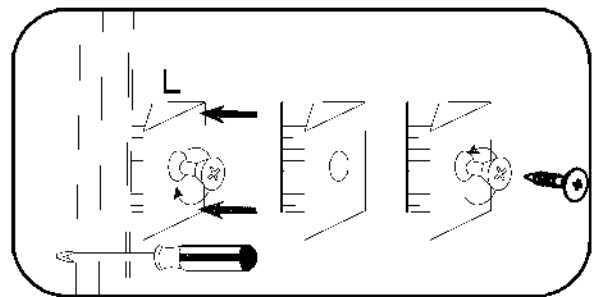
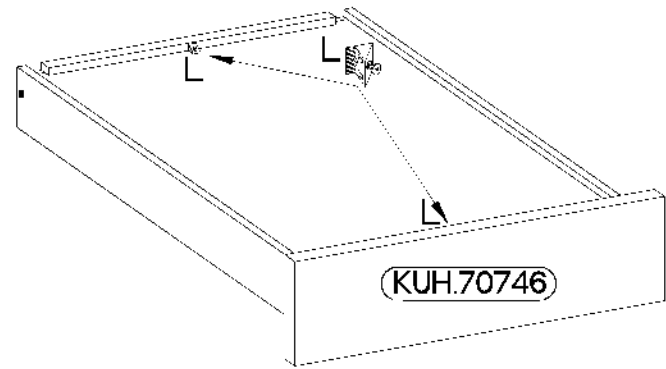
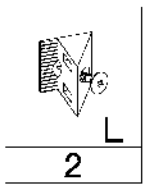
|                       |
|-----------------------|
| L=20mm<br><br>D2<br>2 |
|-----------------------|



4



5

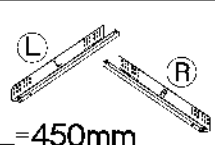




4x8x30mm



4



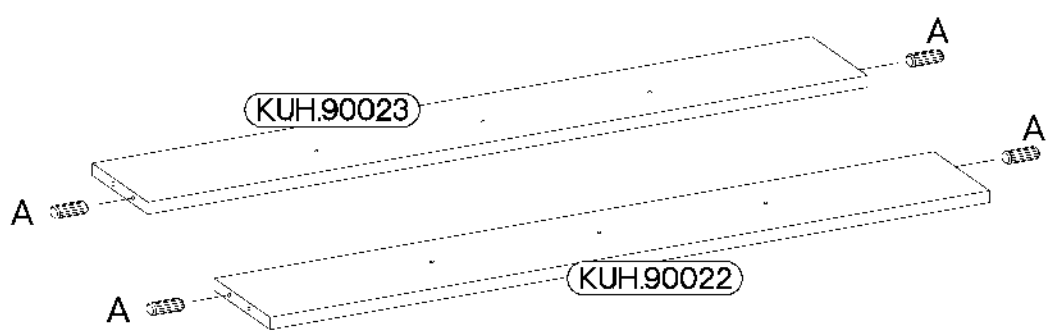
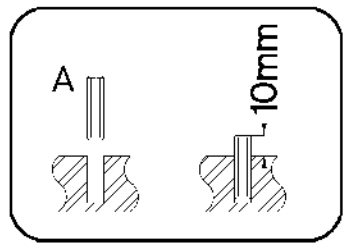
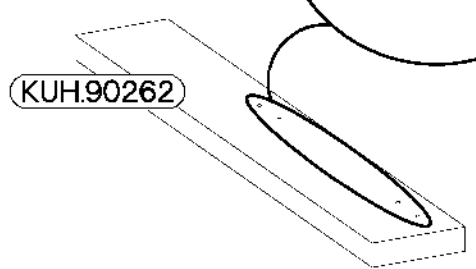
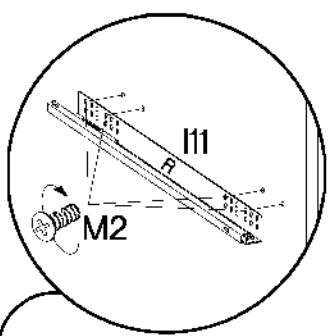
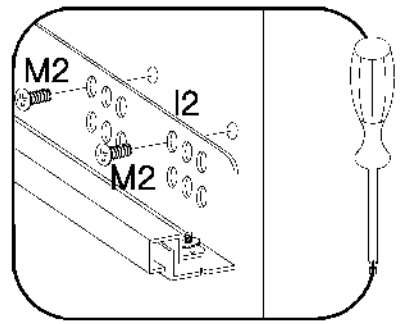
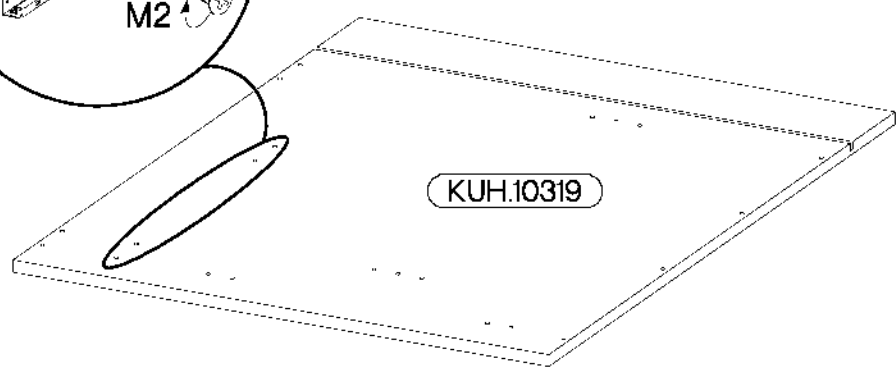
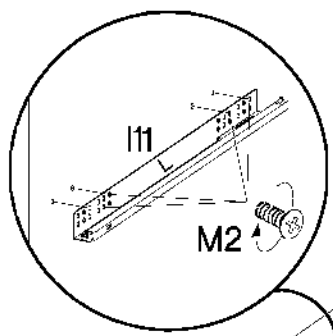
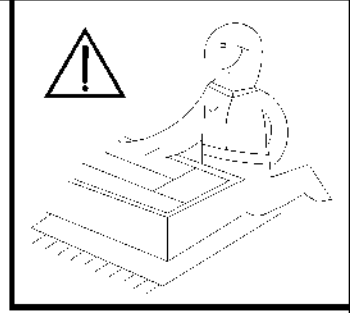
A L=450mm

1

8x6.3x13mm



8







φ3.5x13mm



P5

16



F15

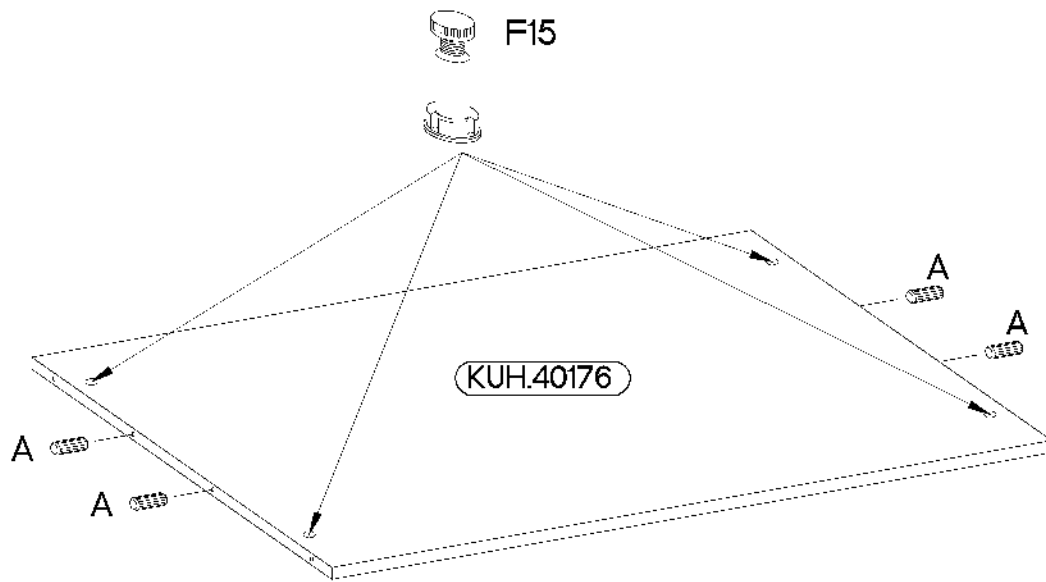
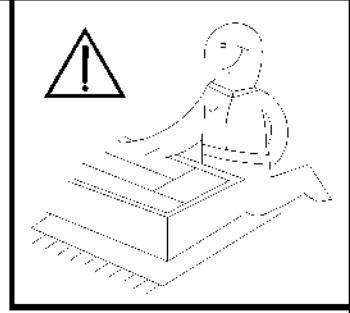
4

φ8x30mm

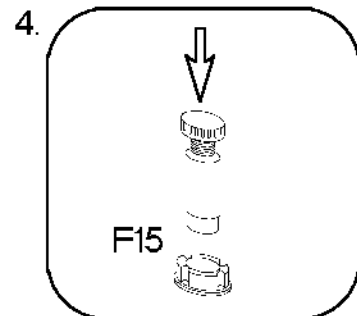
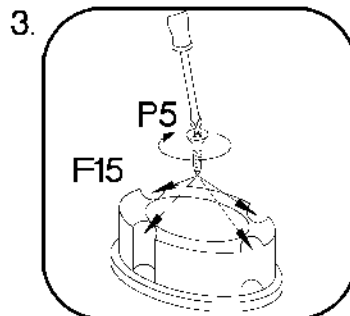
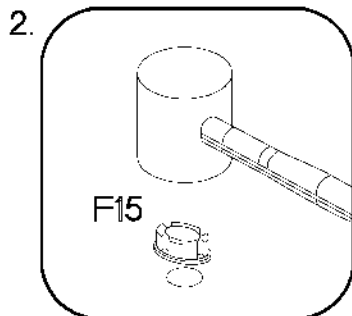
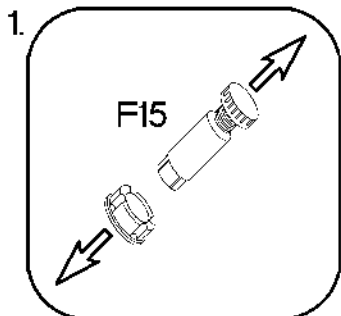
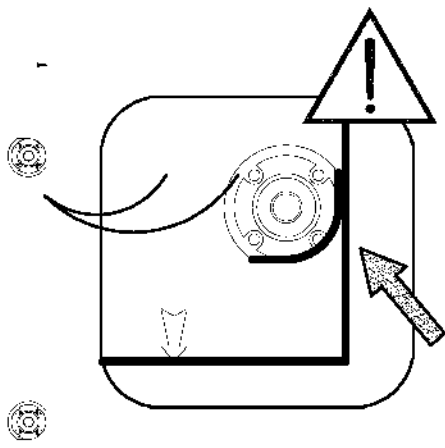


A

4



967





6,4 x 50mm



B

4



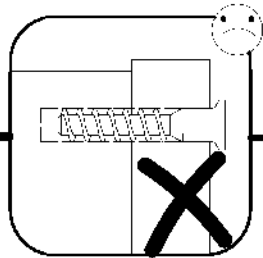
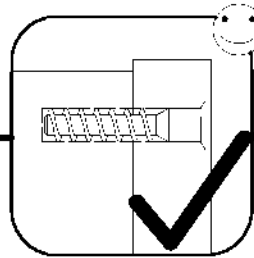
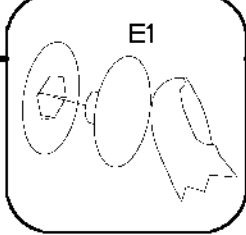
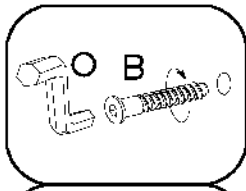
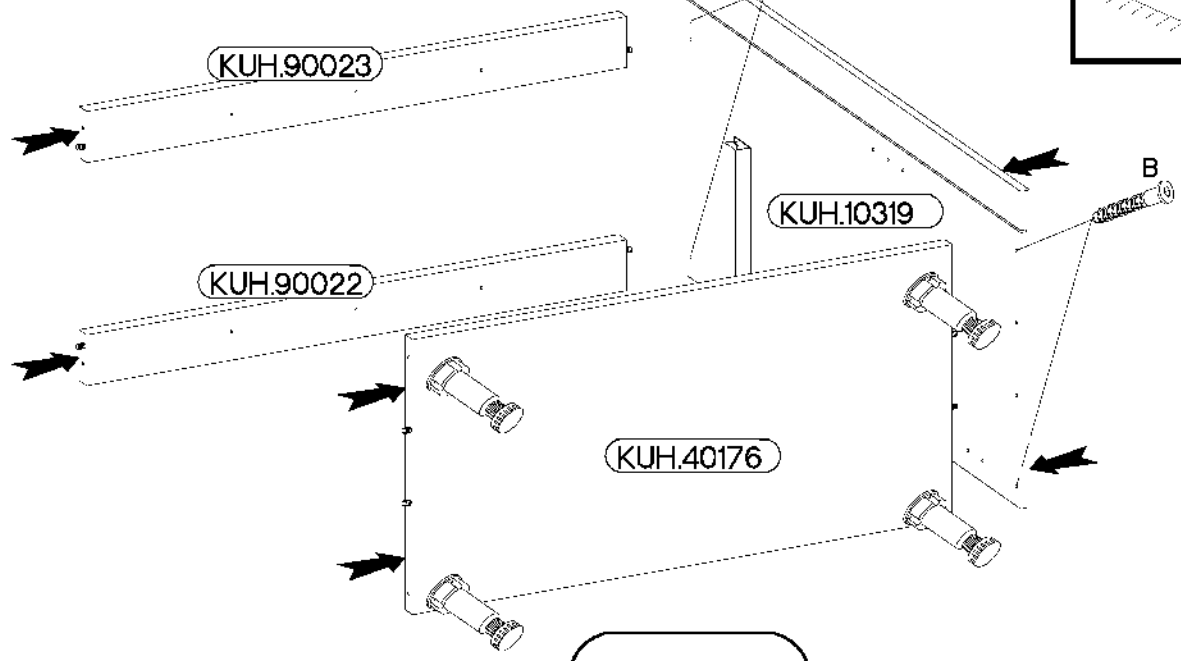
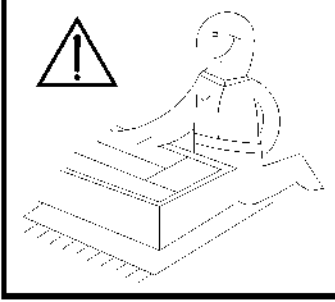
O

1



E1

4



6,4 x 50mm



B

4



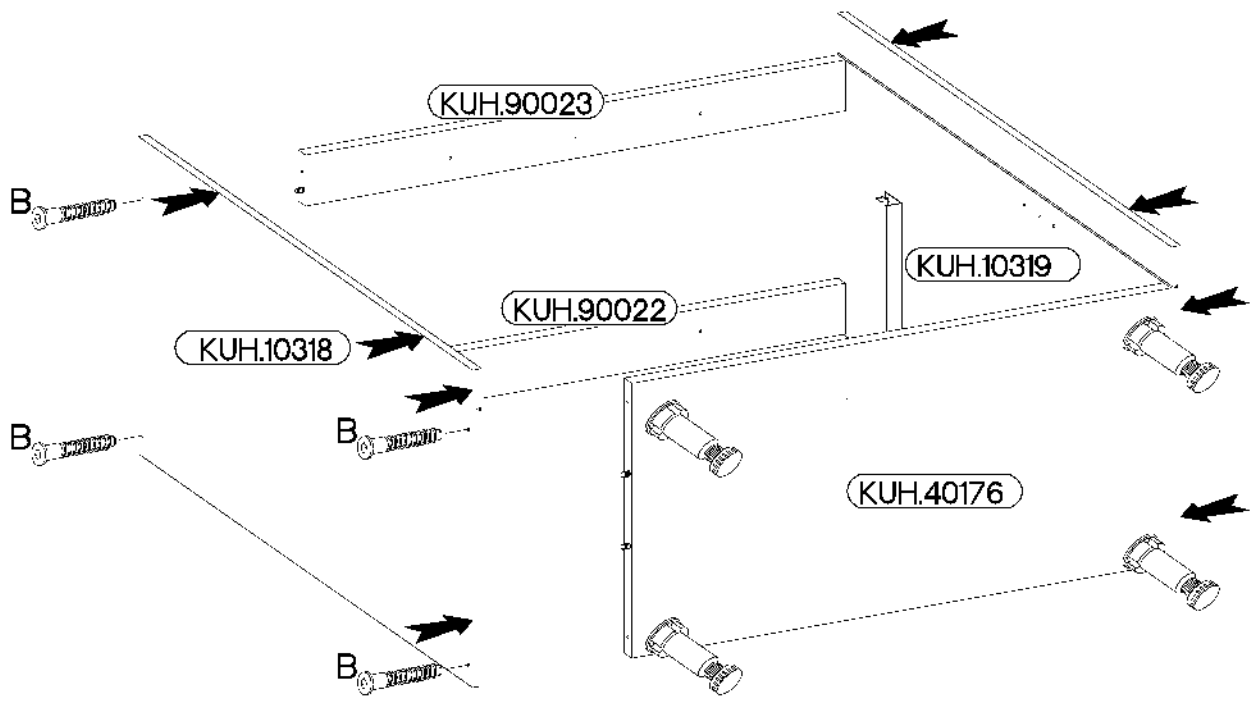
O

1



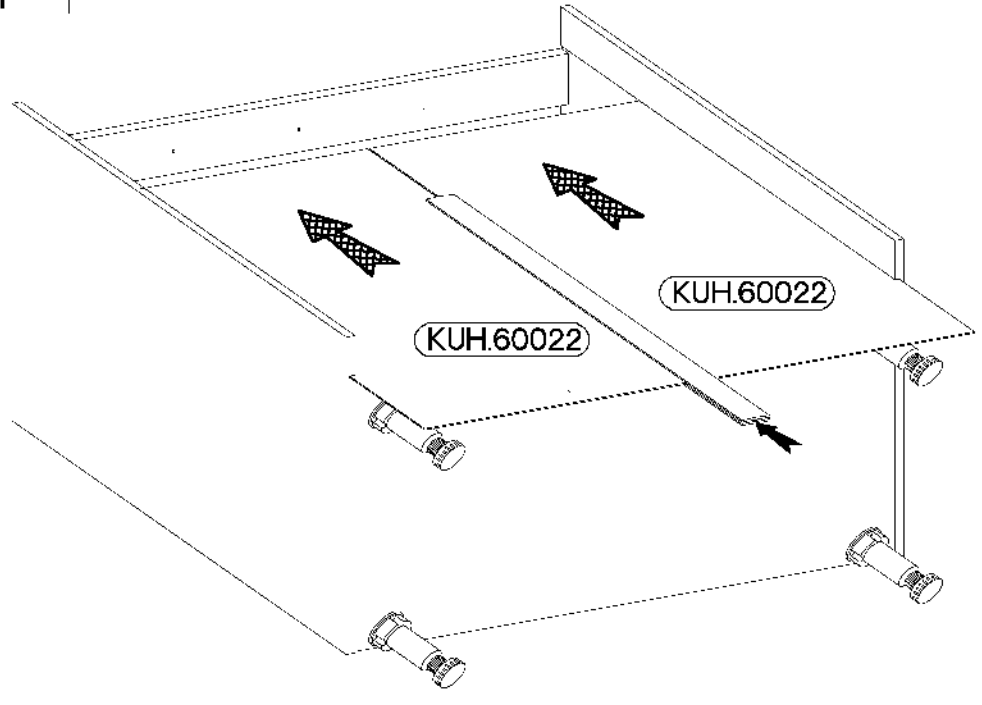
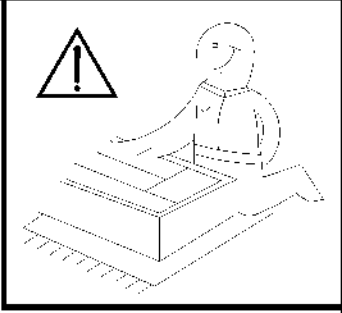
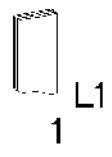
E1

4



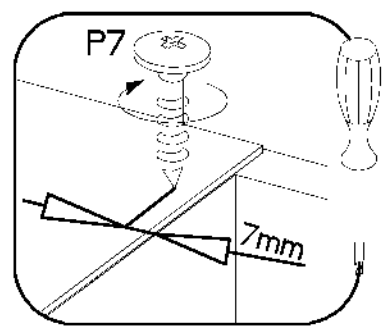
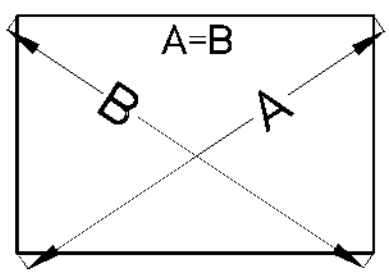
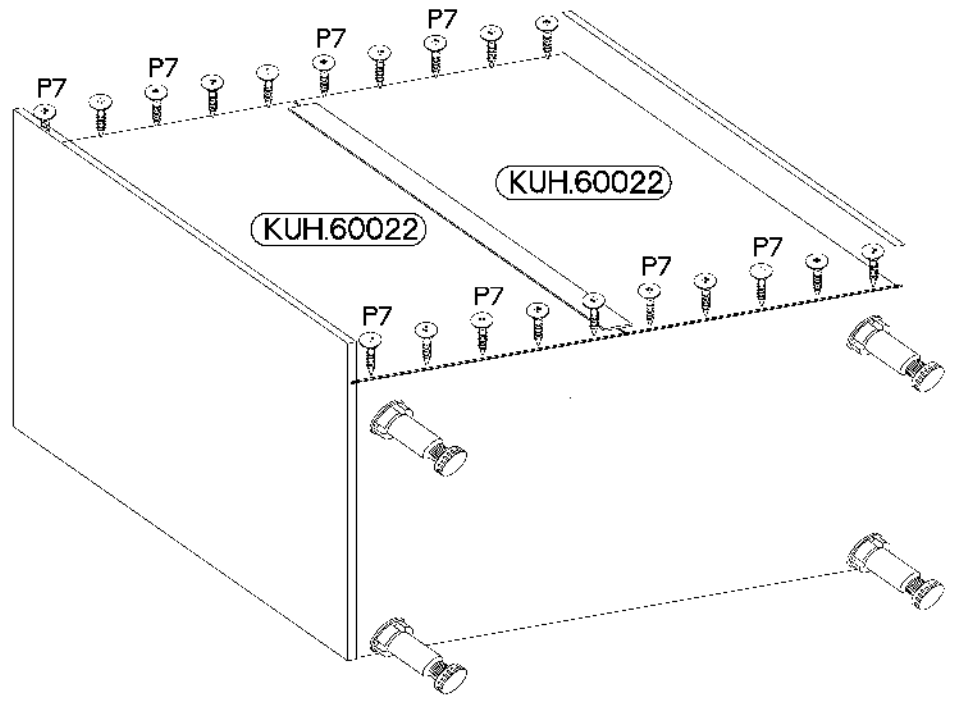
10

L=680mm

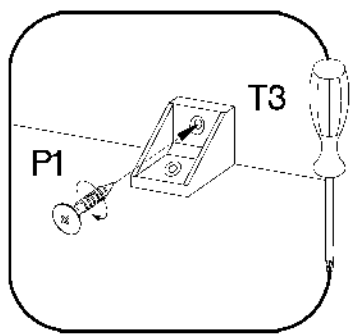
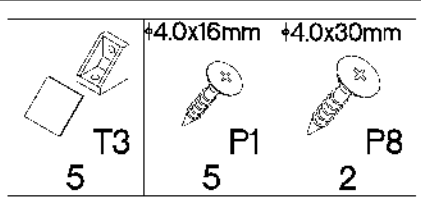


11

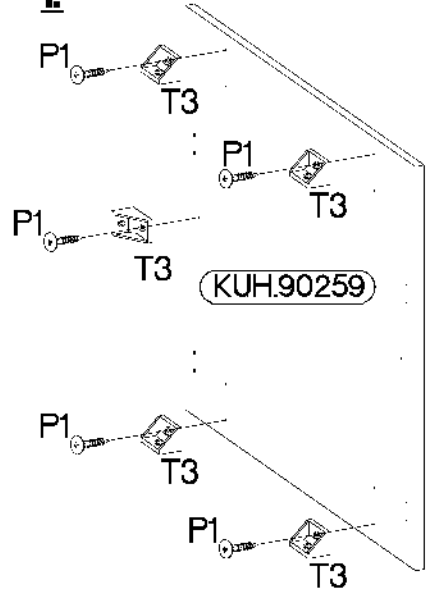
3.0x20mm



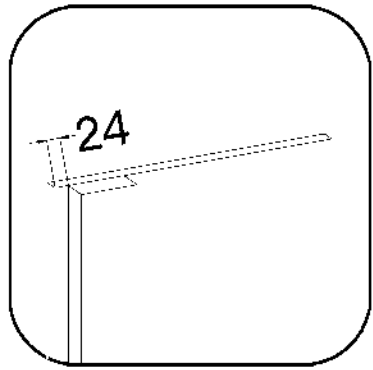
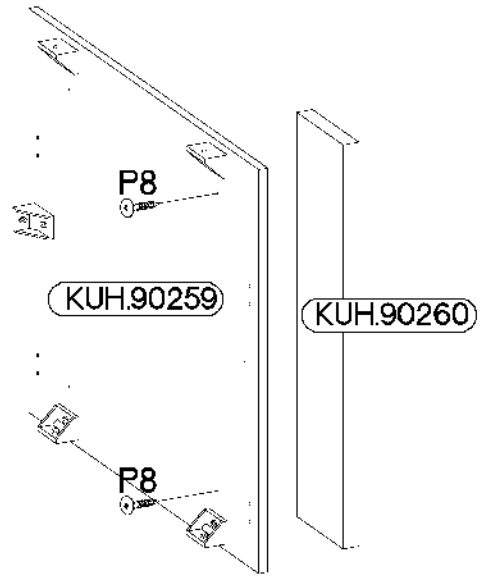
2



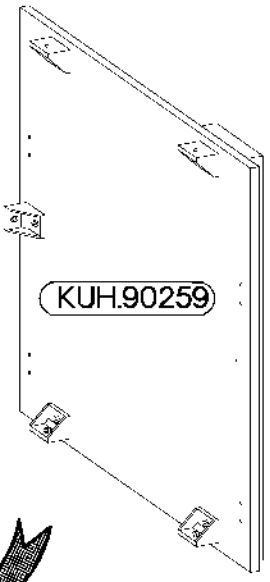
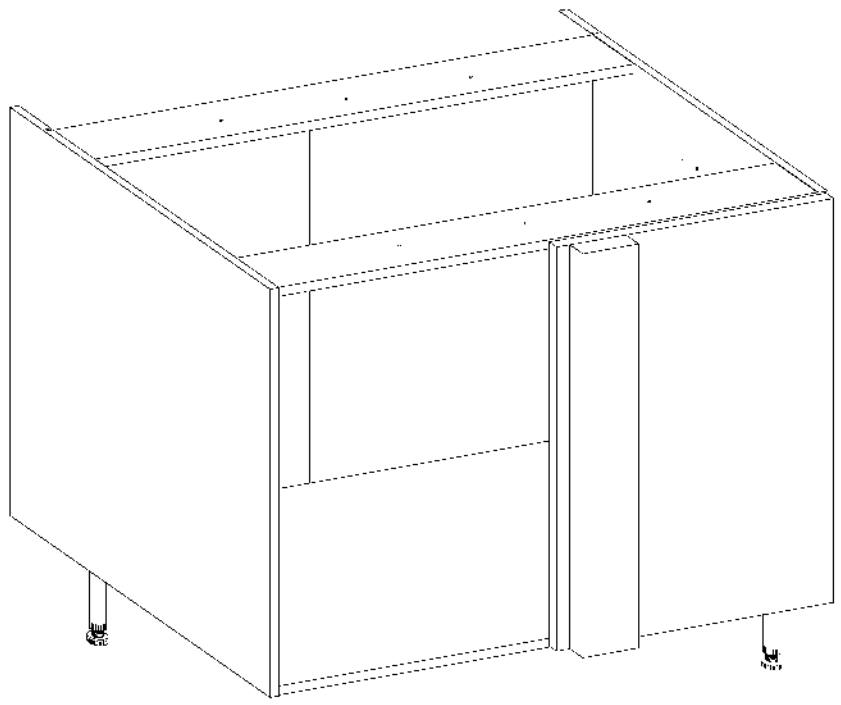
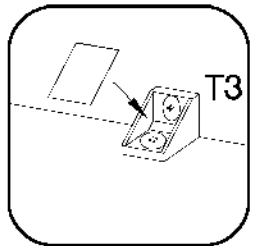
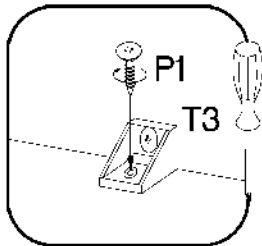
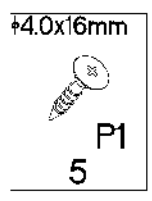
1



2



3



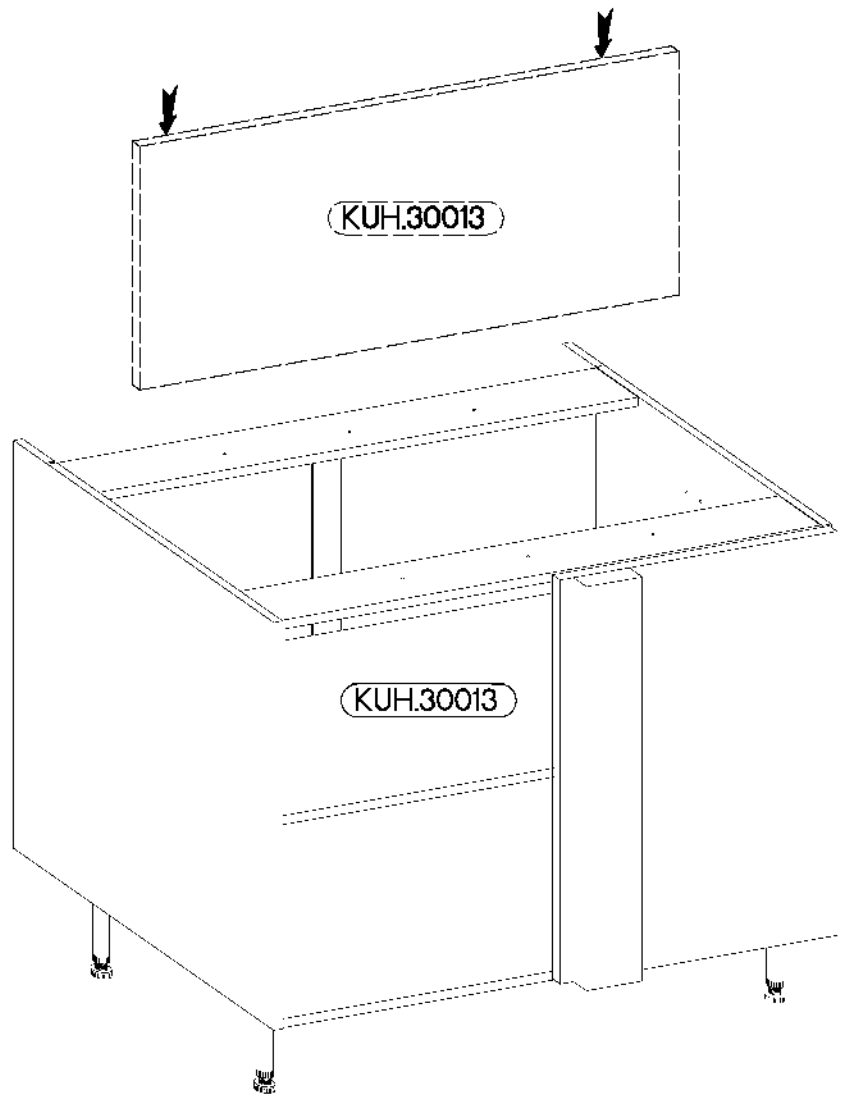
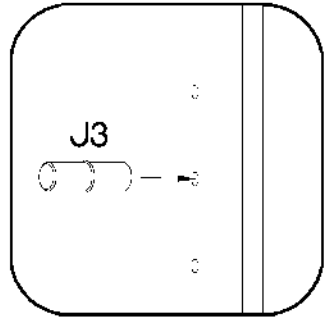
# 14

±5/16mm



J3

4



# 15

6,4 x 50mm



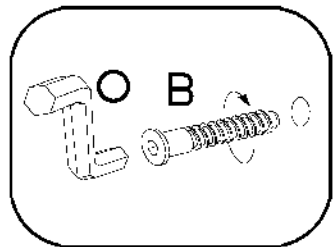
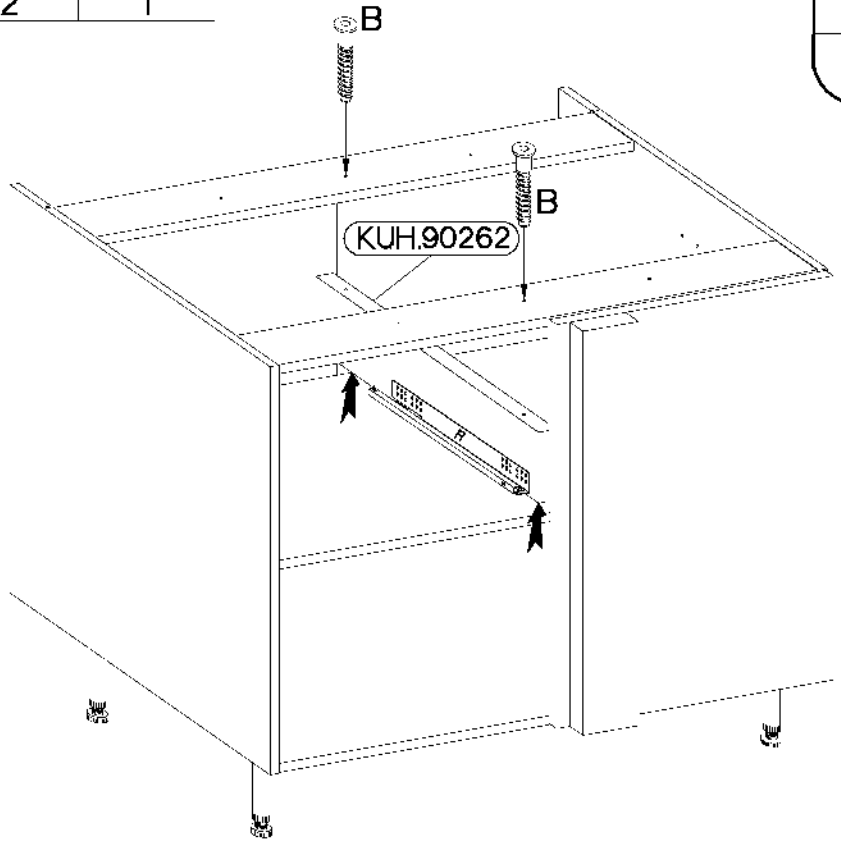
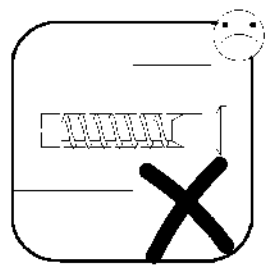
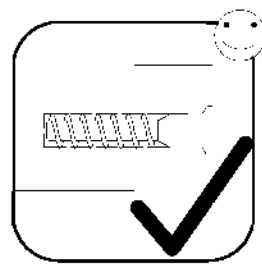
2

B



1

O



16

±4.0x35mm

±3.5x13mm



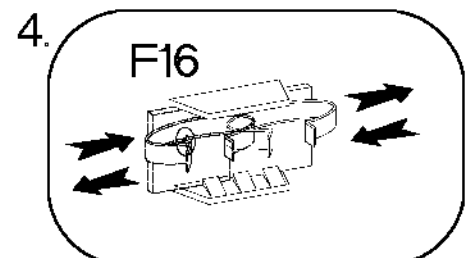
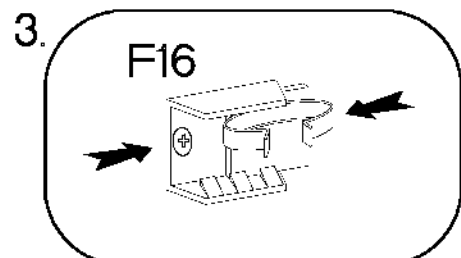
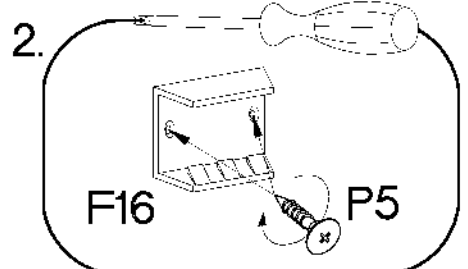
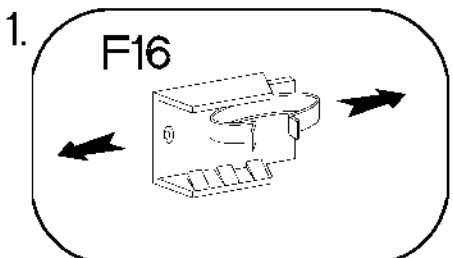
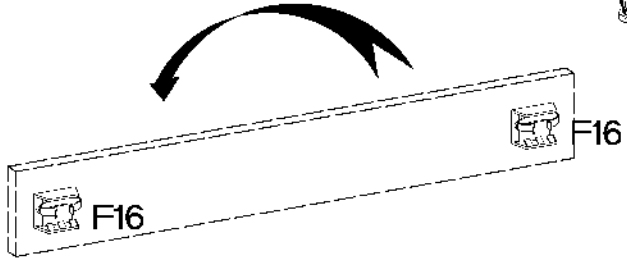
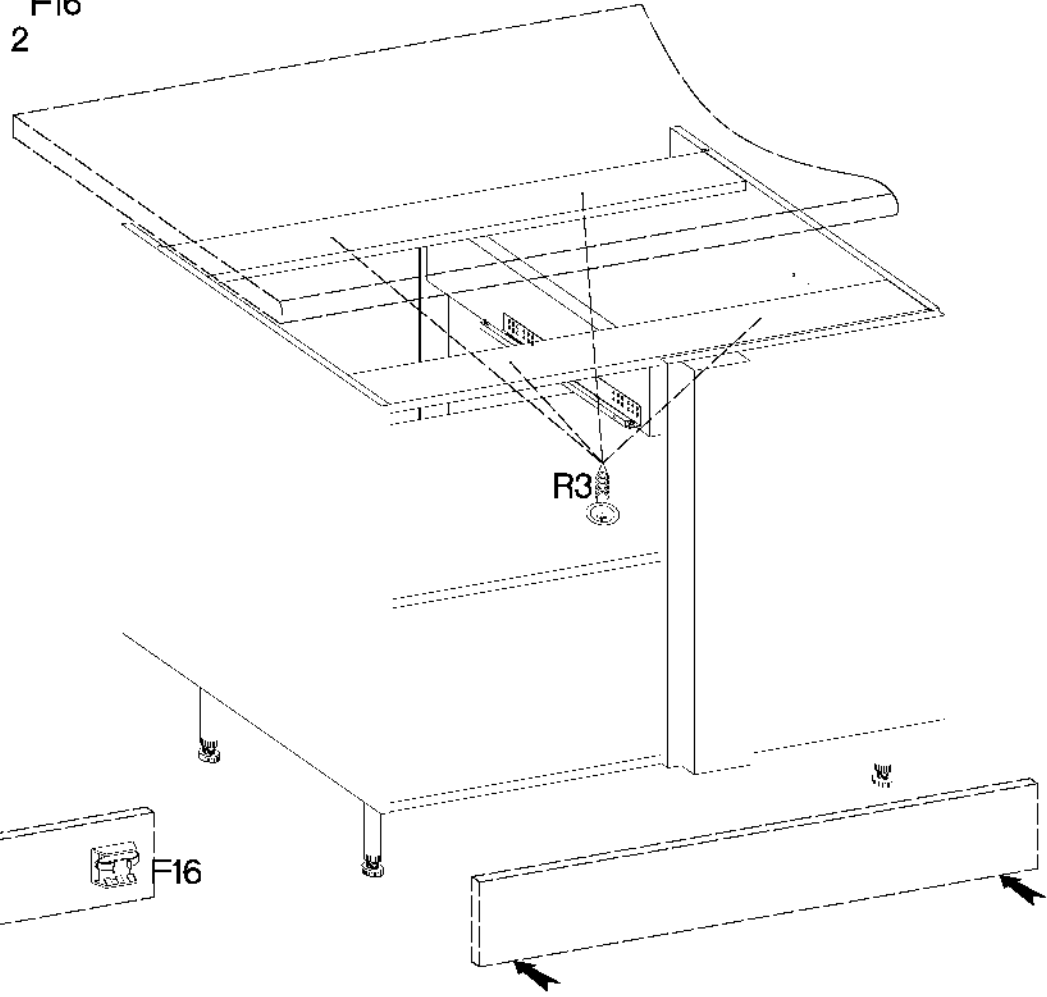
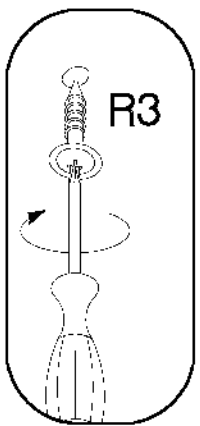
R3  
4



P5  
4



F16  
2



17

±35/90°

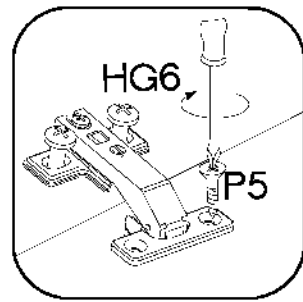
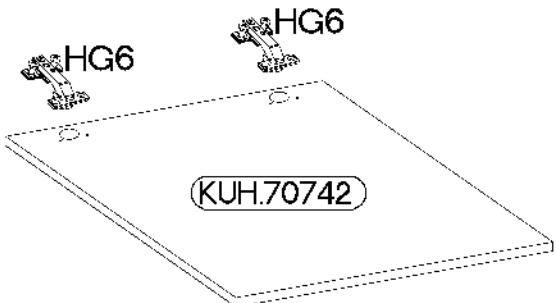
±3.5x13mm





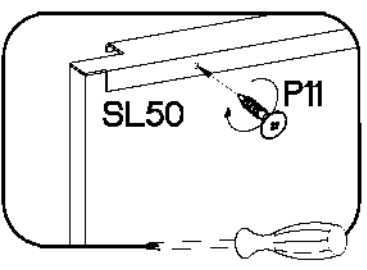
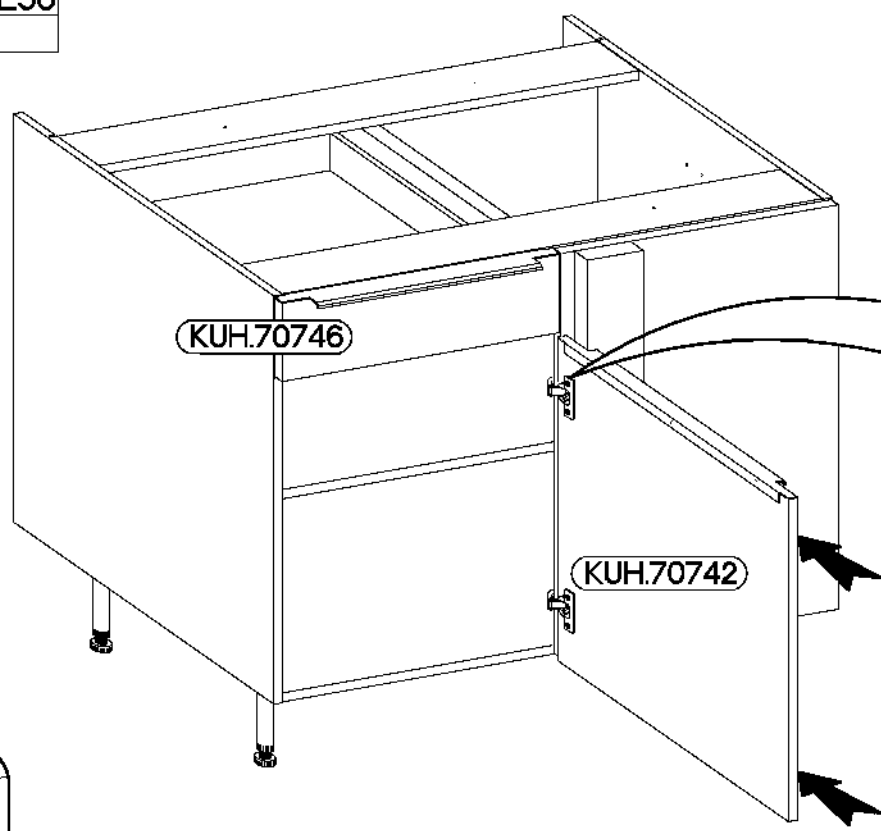
HG6  
2



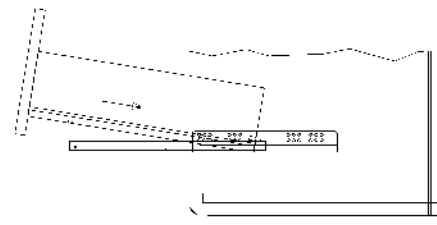
P5  
4



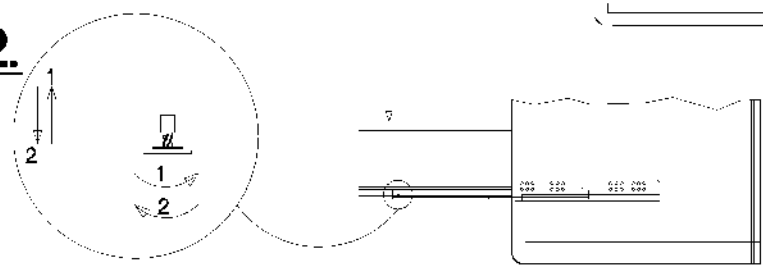
|  |  |
|--|--|
| 3.0x16mm   | L=495mm  |
|  |  |
| P11  | SL50   |
| 6  | 2  |



**1.**

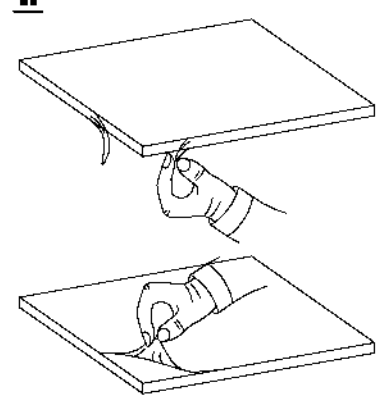


**2.**



## VARIANT HIGH GLOSS

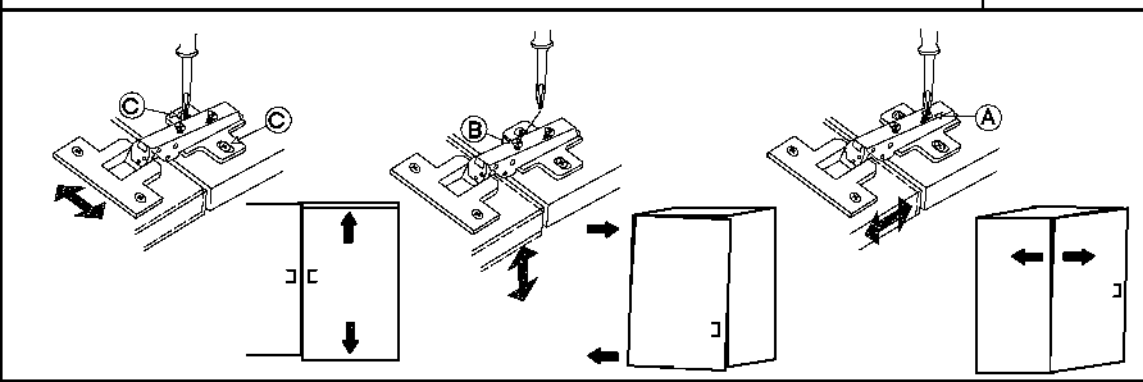
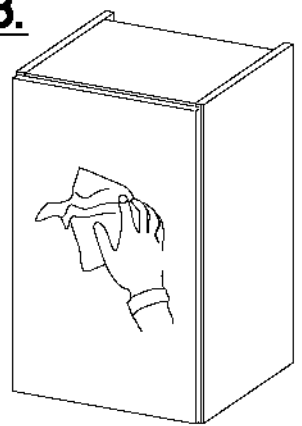
**1.**



**2.**

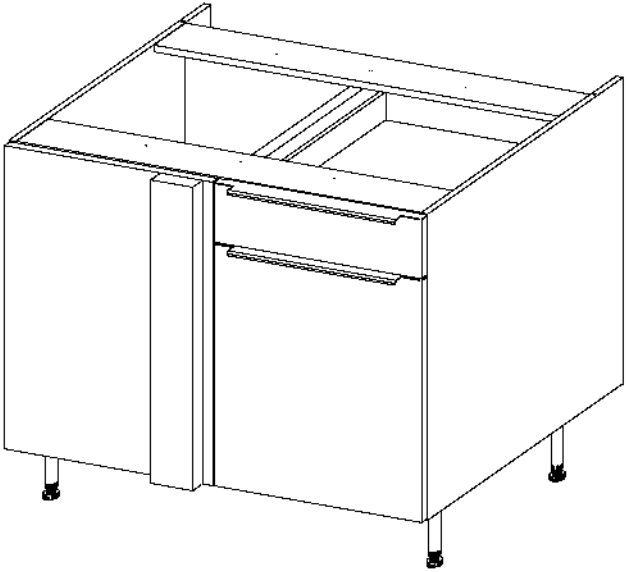
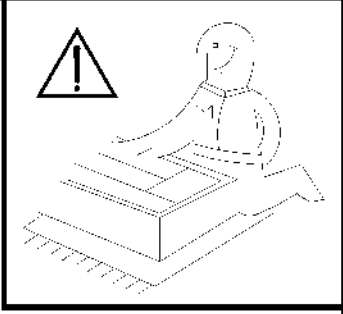


**3.**

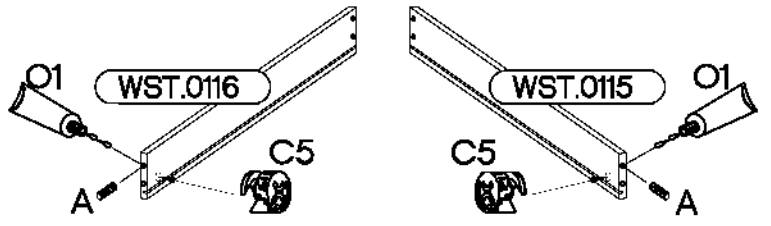
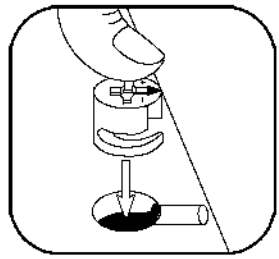
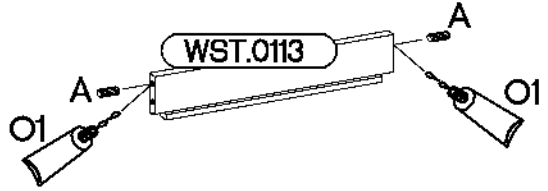


# VARIANT R

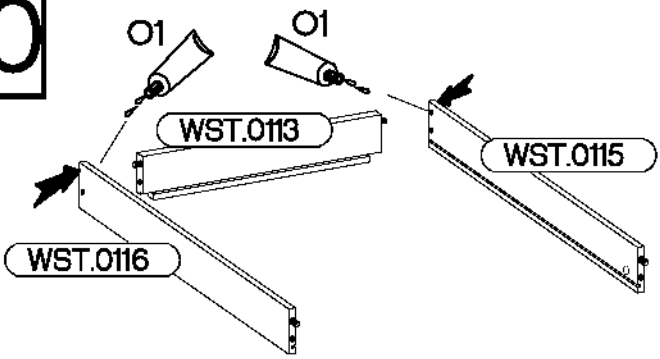
# 19



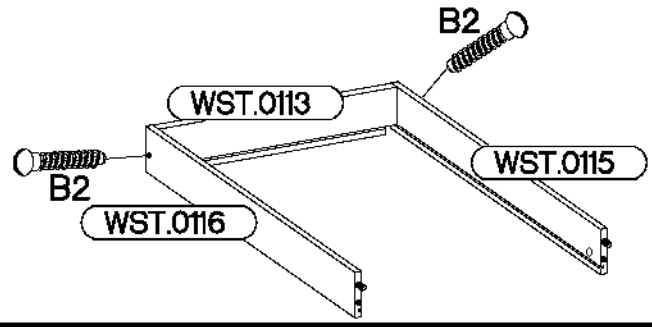
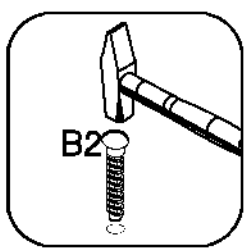
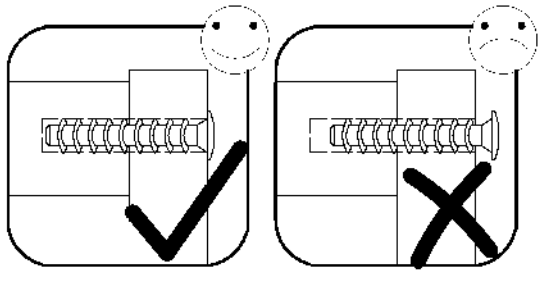
|                                |                              |                    |
|--------------------------------|------------------------------|--------------------|
| †12/10mm<br><br><b>C5</b><br>2 | †8x30mm<br><br><b>A</b><br>4 | <br><b>O1</b><br>1 |
|--------------------------------|------------------------------|--------------------|



# 20

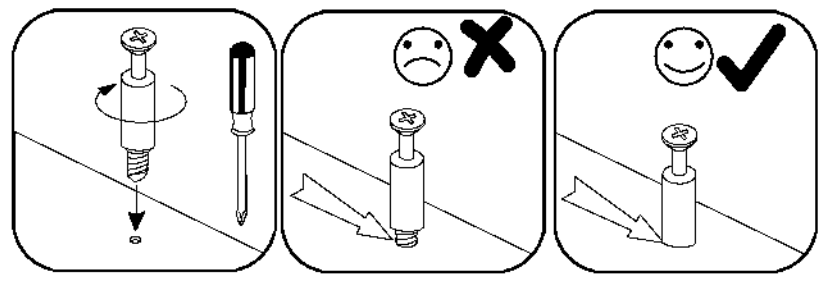
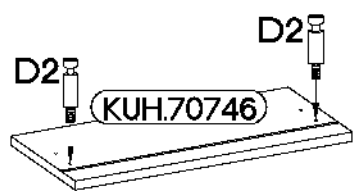


|                               |                    |
|-------------------------------|--------------------|
| †6x42mm<br><br><b>B2</b><br>2 | <br><b>O1</b><br>1 |
|-------------------------------|--------------------|

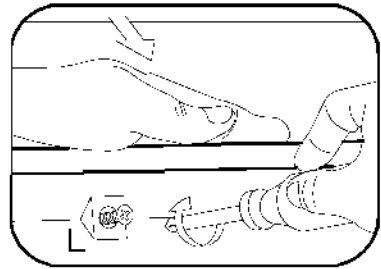
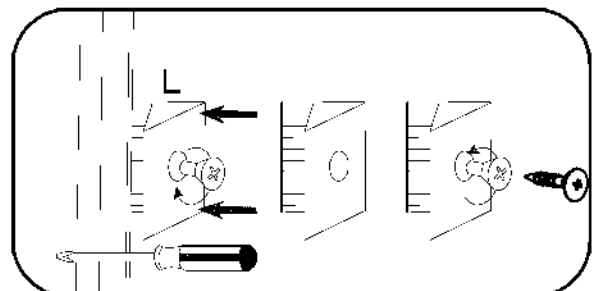
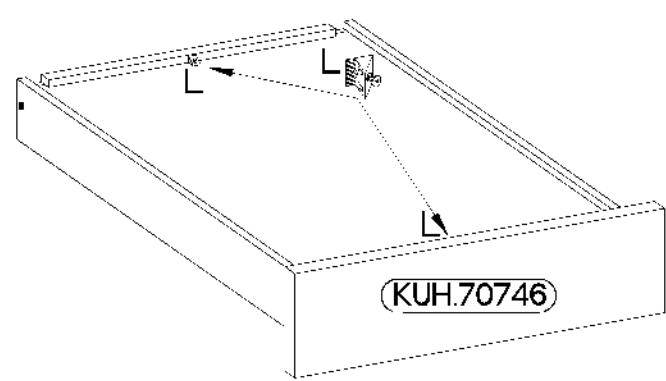
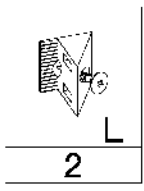
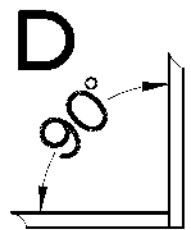
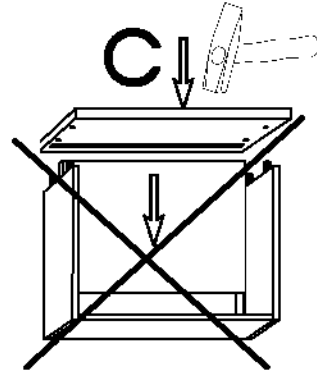
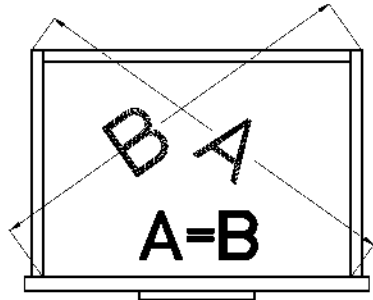
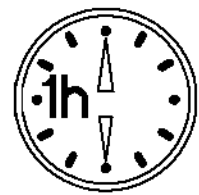
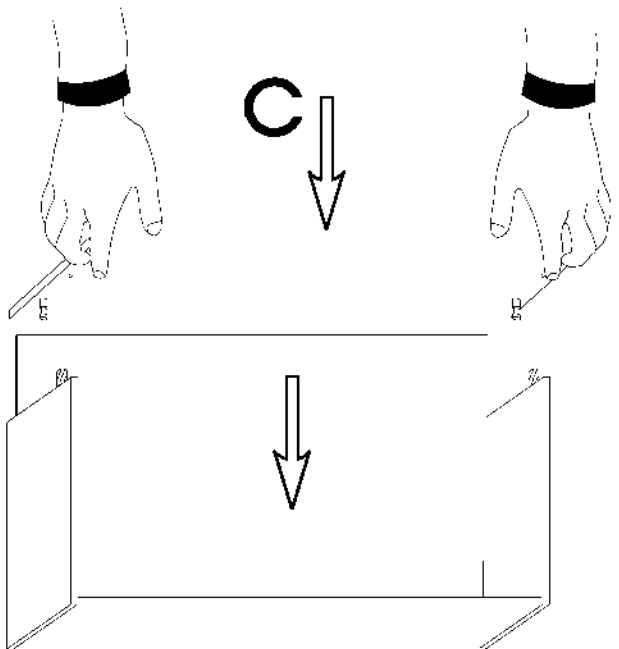
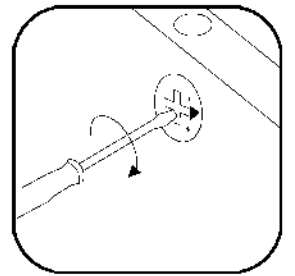
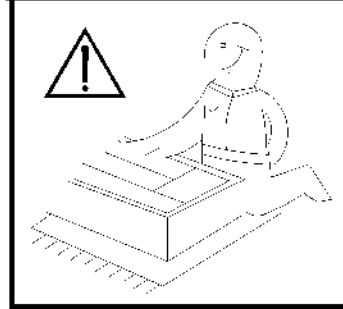
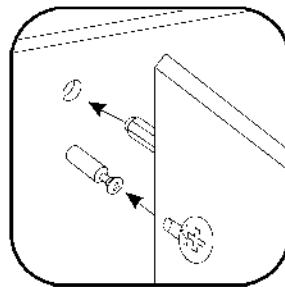
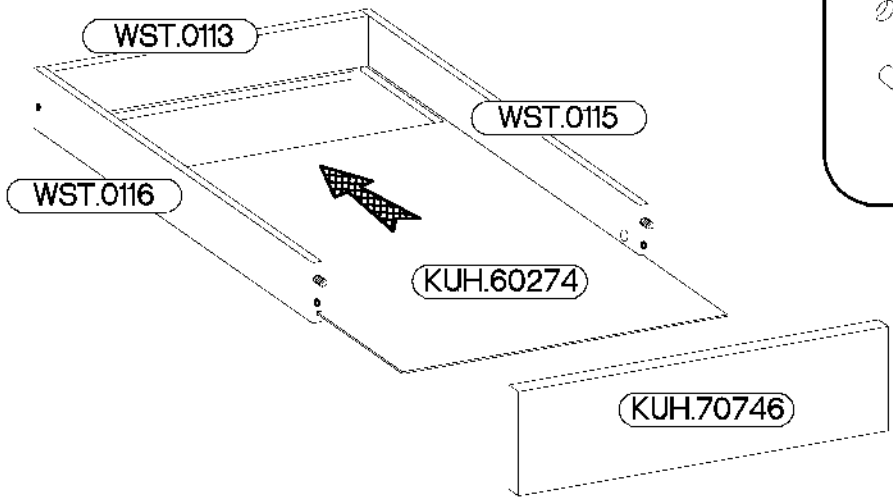


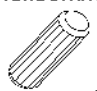

# 21

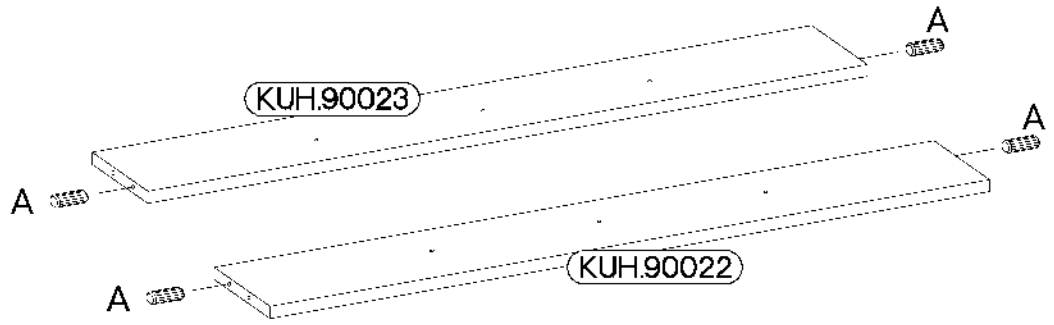
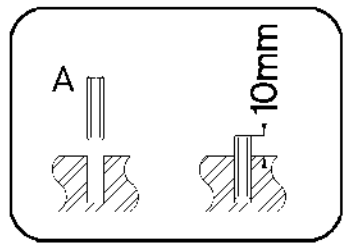
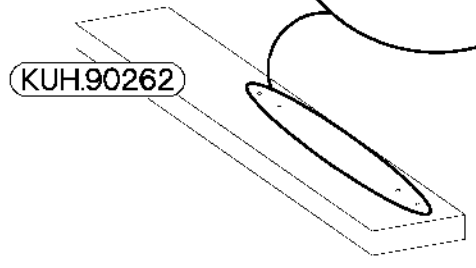
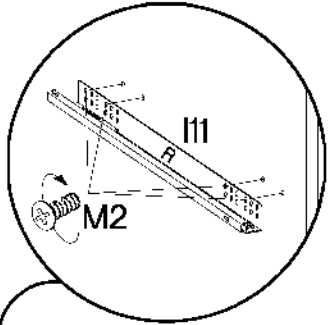
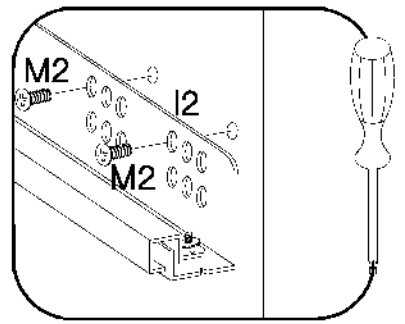
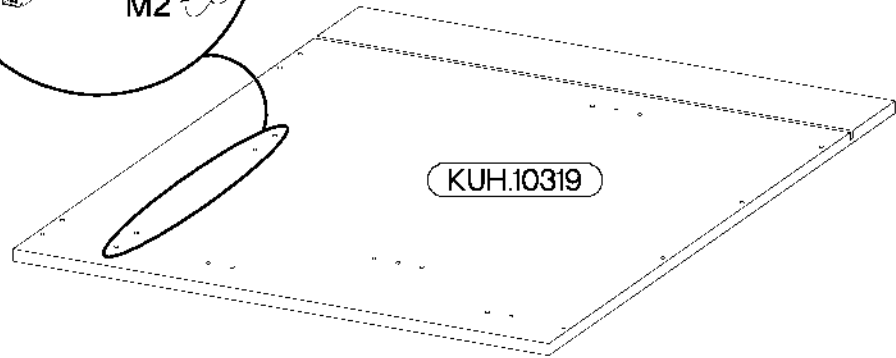
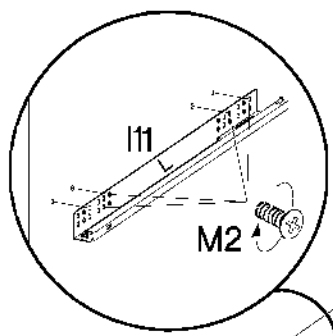
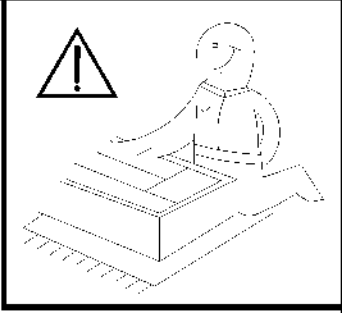
|                              |
|------------------------------|
| L=20mm<br><br><b>D2</b><br>2 |
|------------------------------|







|  |  |
|--|--|
| $\varnothing 8 \times 30 \text{mm}$  | $\varnothing 6.3 \times 13 \text{mm}$  |
|  |  |
| A  | M2   |
| L=450mm  |  |
| 4  | 8  |



±3.5x13mm

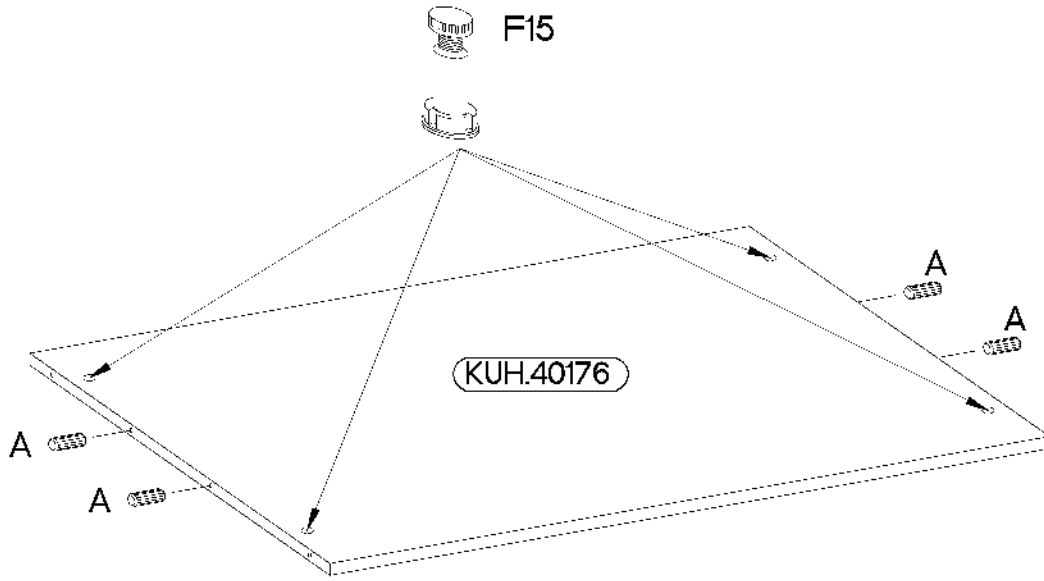
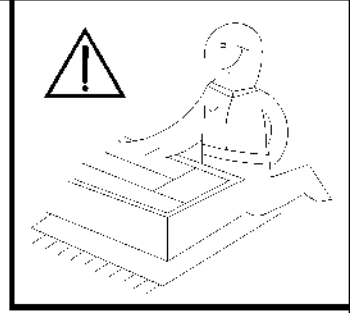


F15  
4

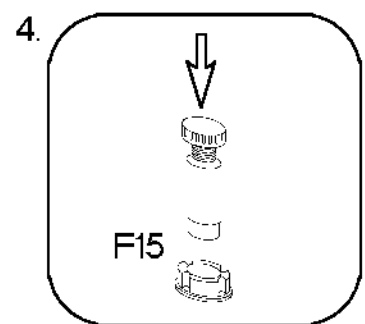
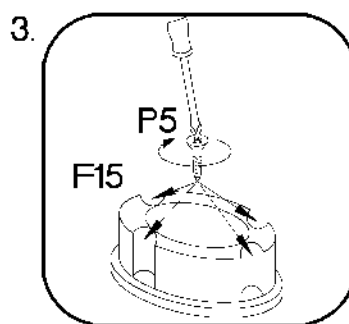
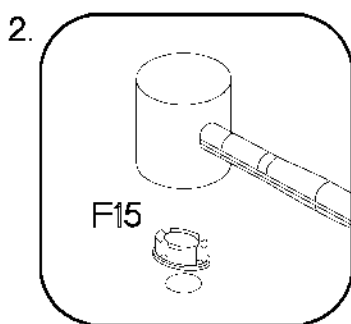
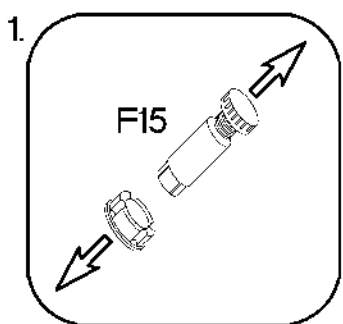
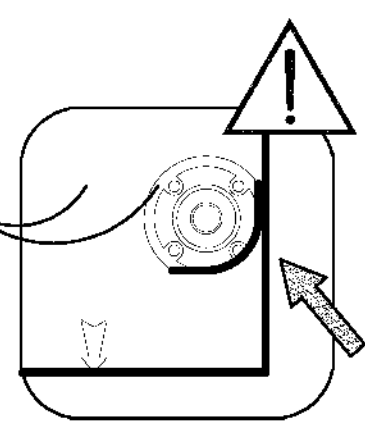
±8x30mm



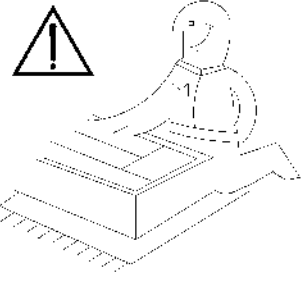
A  
4


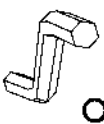



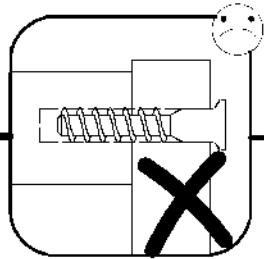
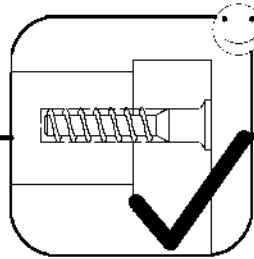
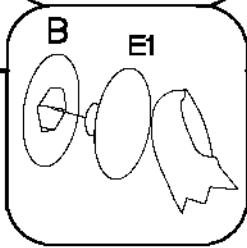
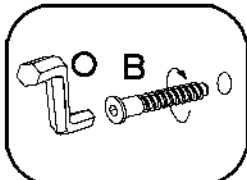
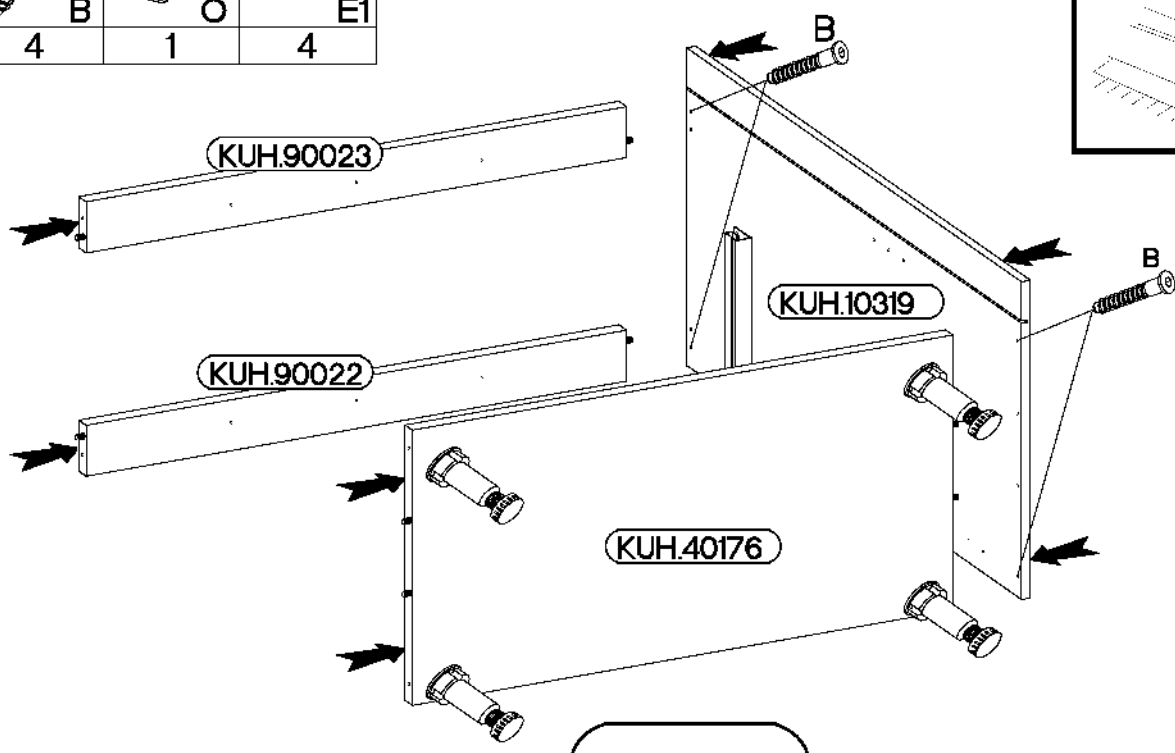
967




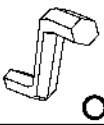

26

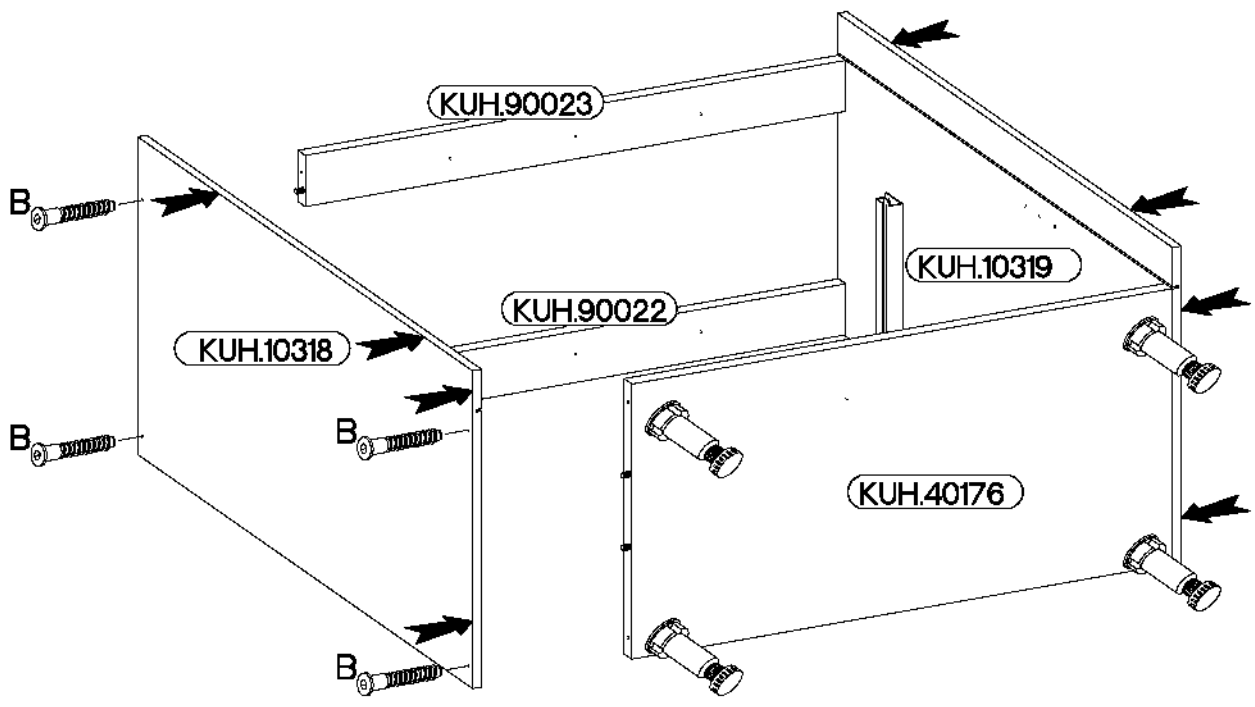


|  |  |  |
|--|--|--|
| 6,4 x 50mm   |  |  |
|  |  |  |
| B  | O  | E1   |
| 4  | 1  | 4  |




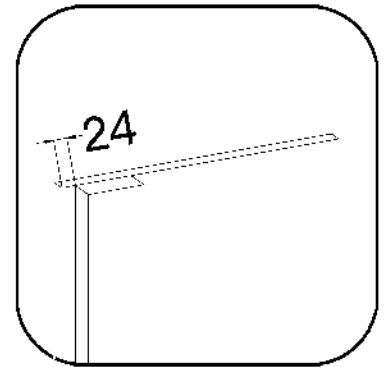
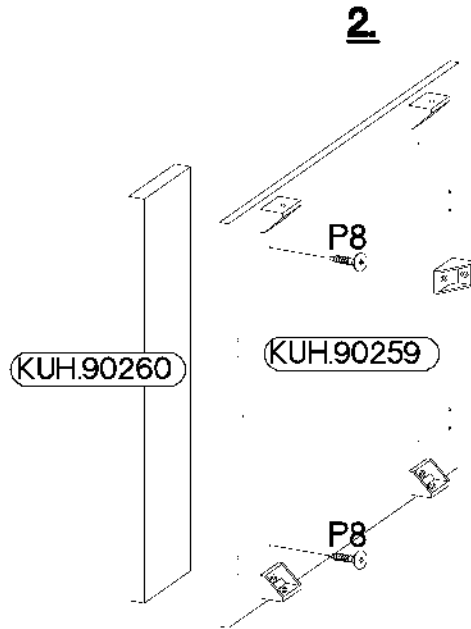
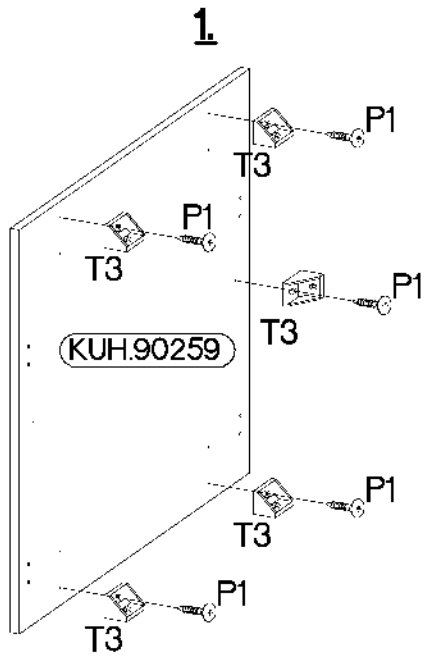
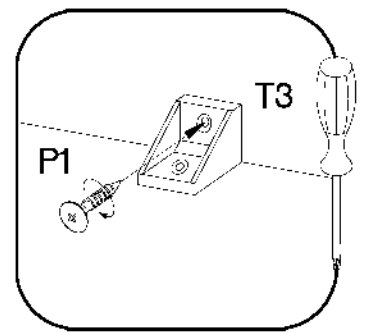
27

|   |   |   |
|---|---|---|
| 6,4 x 50mm  |   |   |
|  |  |  |
| B   | O   | E1  |
| 4   | 1   | 4   |

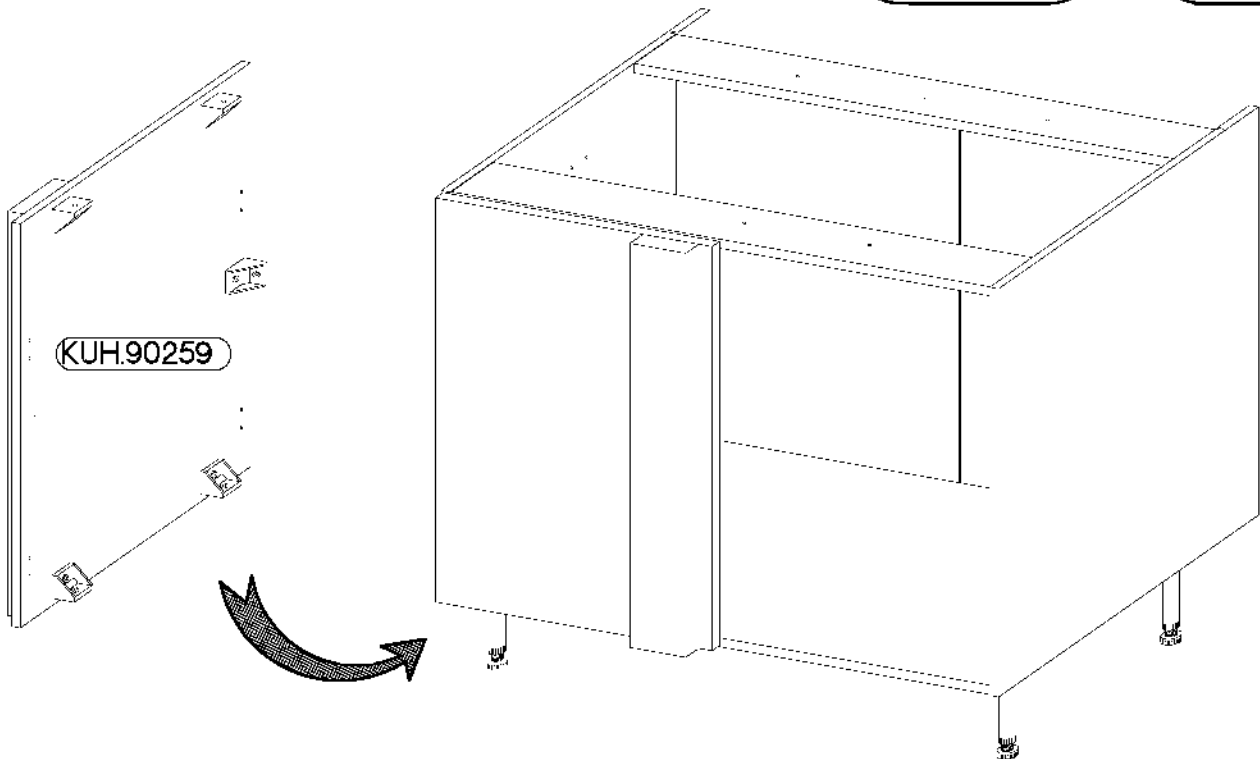
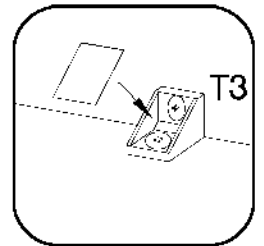
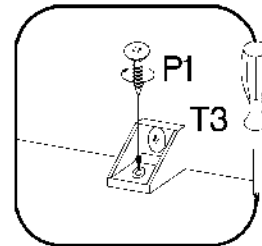




|  |                               |                               |
|--|-------------------------------|-------------------------------|
|  | $\pm 4.0 \times 16 \text{mm}$ | $\pm 4.0 \times 30 \text{mm}$ |
| T3   | P1                            | P8                            |
| 5  | 5                             | 2                             |



|   |
|---|
| $\pm 4.0 \times 16 \text{mm}$   |
|  |
| P1  |
| 5   |



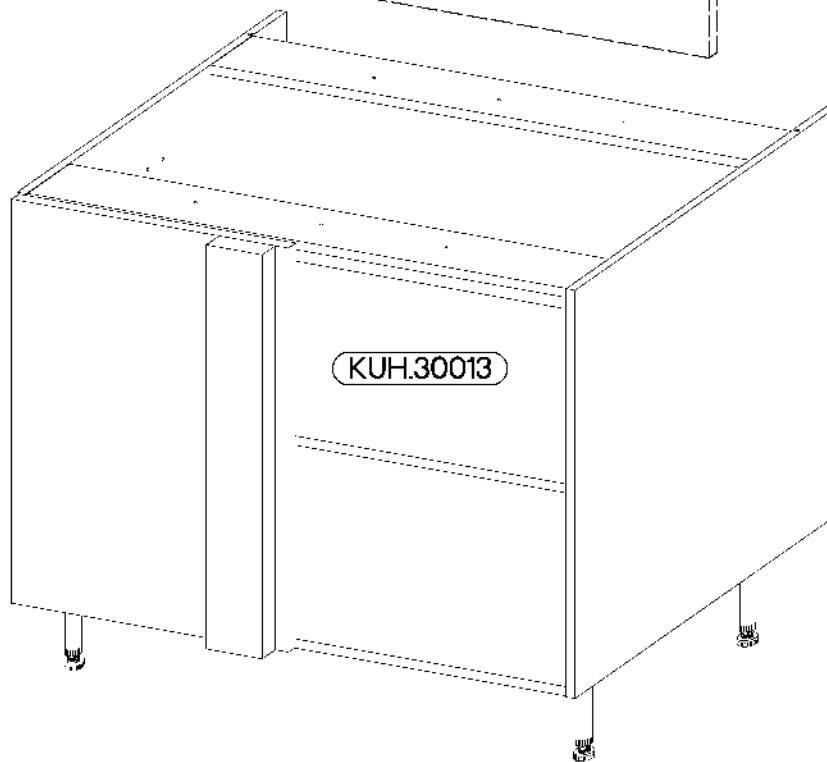
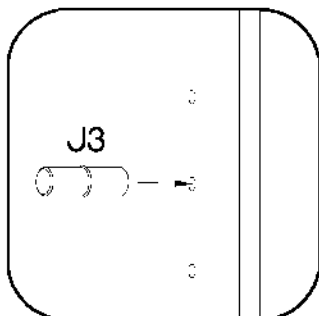
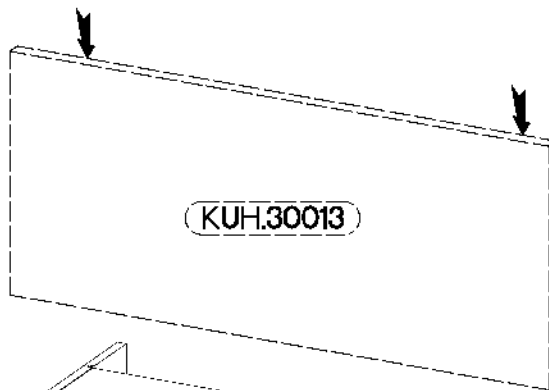
32

±5/16mm



J3

4



33

6,4 x 50mm



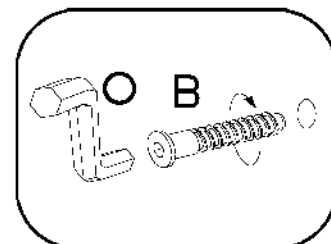
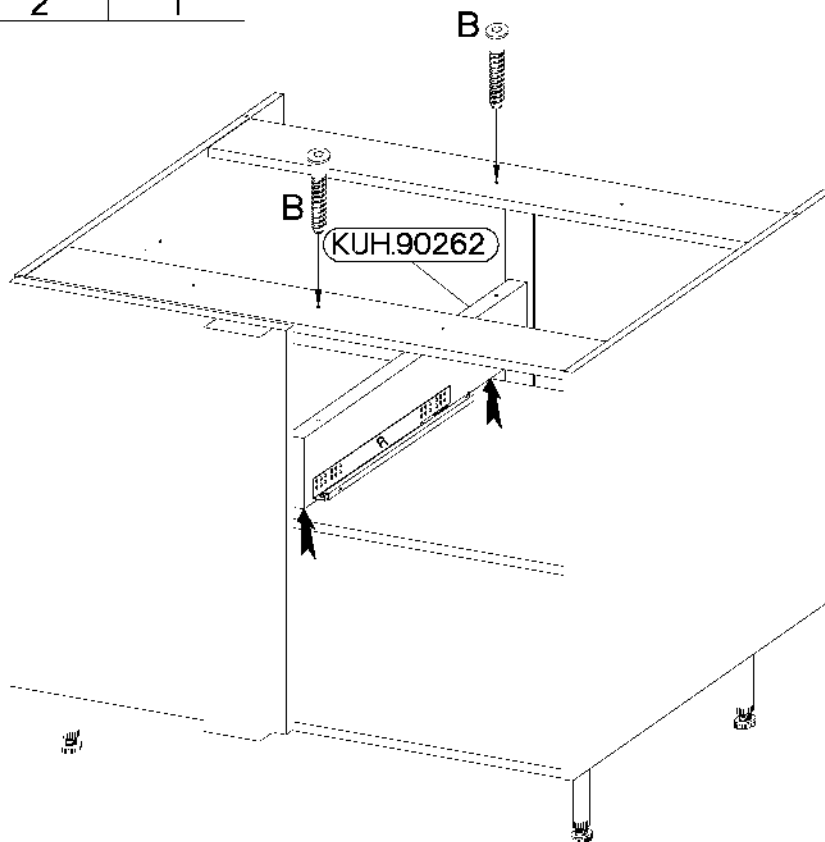
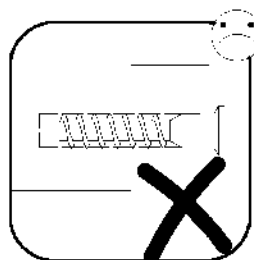
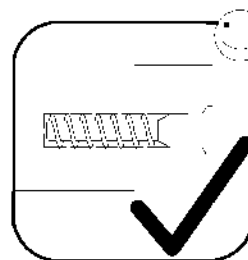
2

B



1

O



# 34

4.0x35mm

3.5x13mm



R3

4



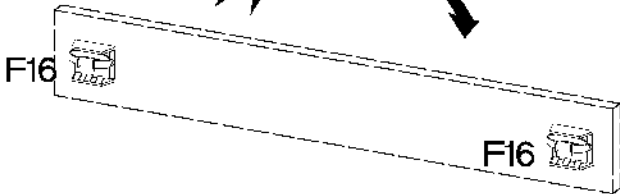
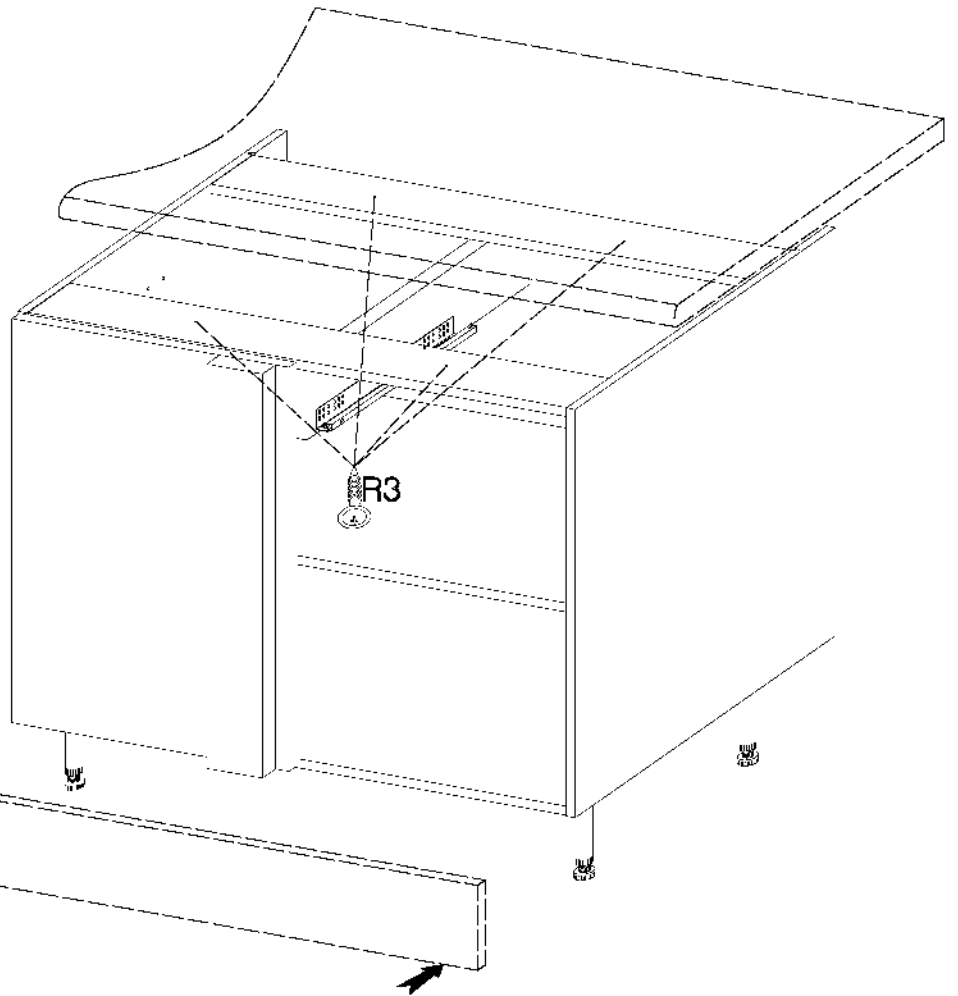
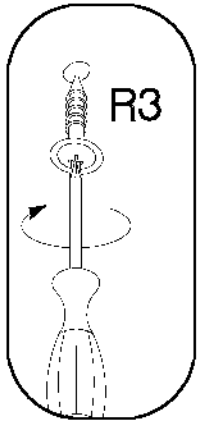
P5

4

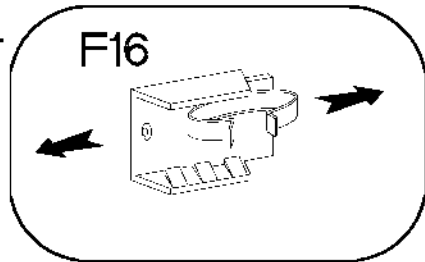


F16

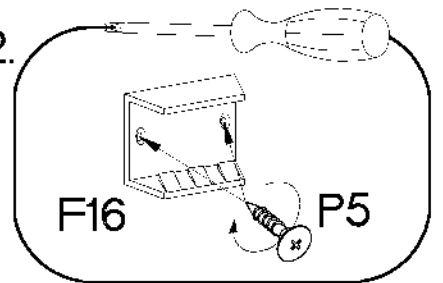
2



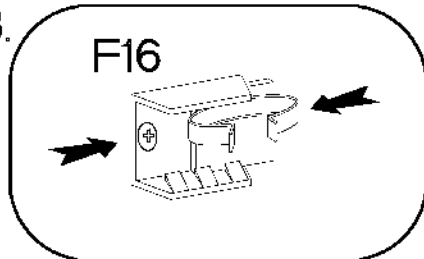
1.



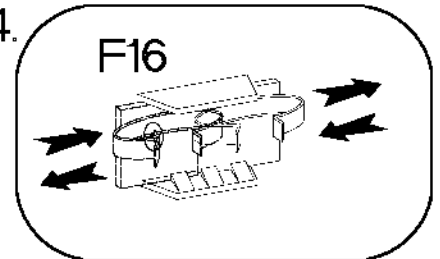
2.



3.



4.



# 35

35/90°

3.5x13mm



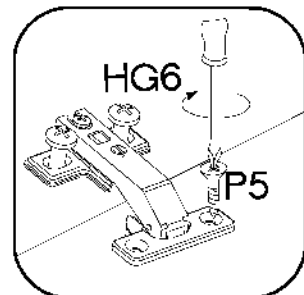
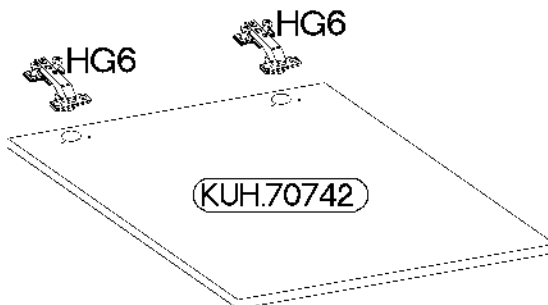
HG6

2





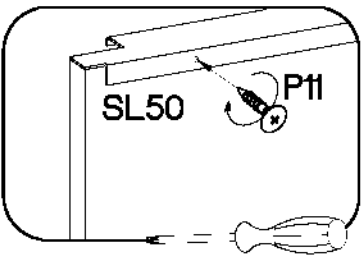
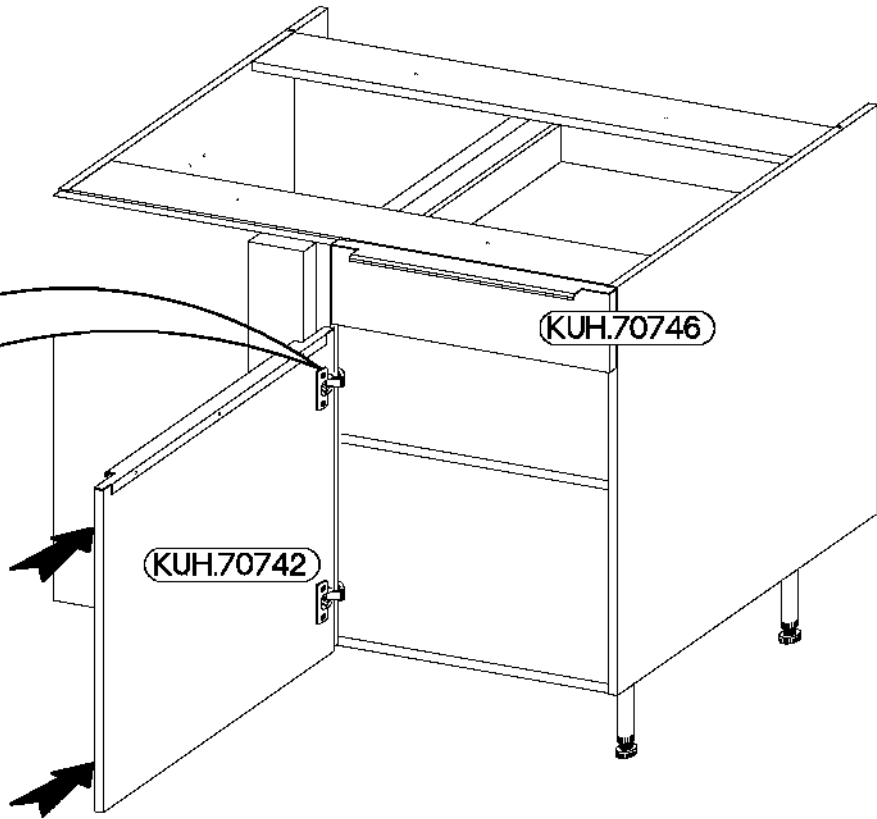
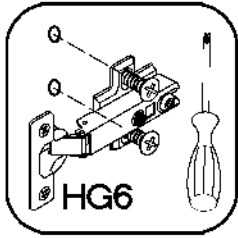
P5

4

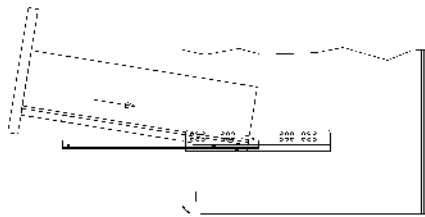




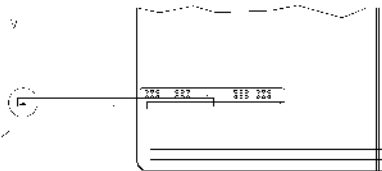
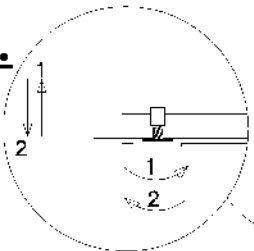
|  |   |
|--|---|
| <br>P11<br>6 | <br>SL50<br>2 |
|--|---|



**1.**

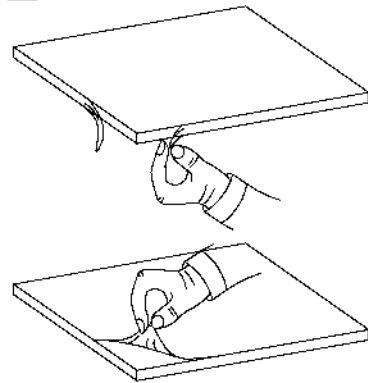


**2.**



## VARIANT HIGH GLOSS

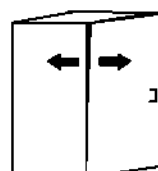
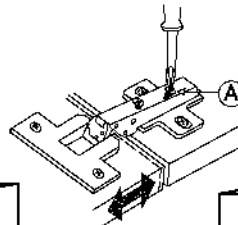
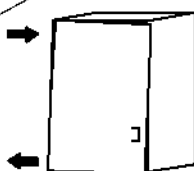
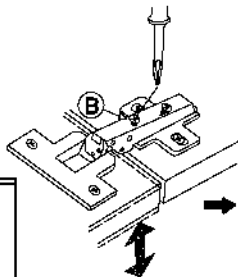
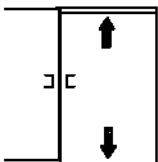
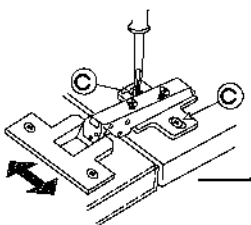
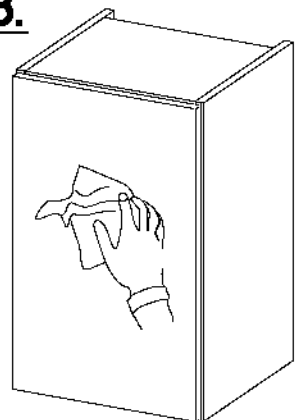
**1.**

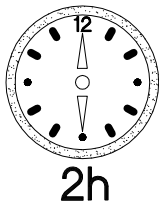
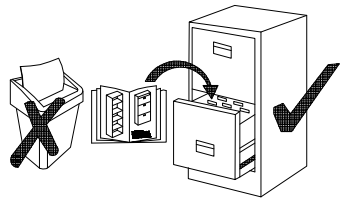
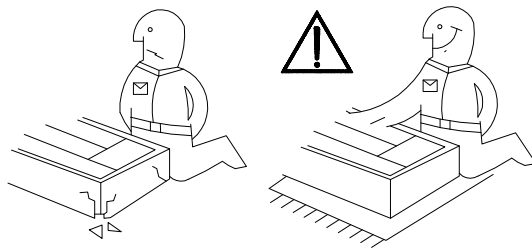
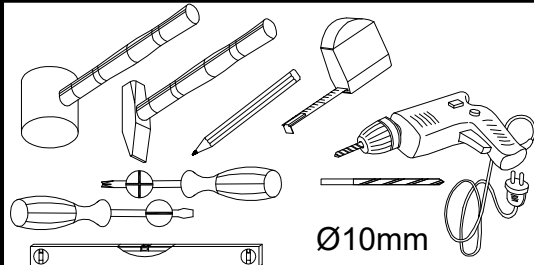
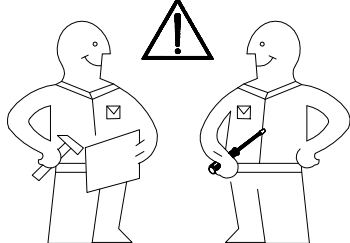


**2.**



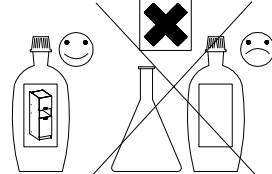
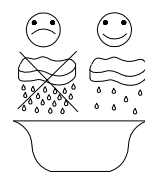
**3.**



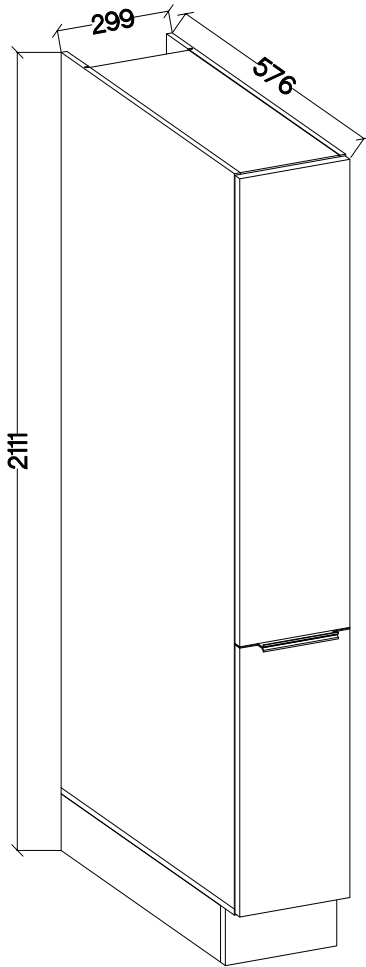


SAFADO / MARLEEN

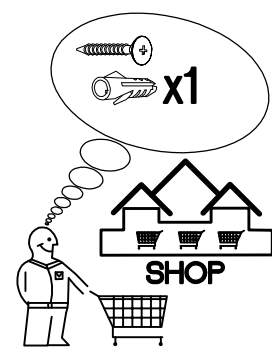
73-152-...  
73-15B-...  
73-15A-...



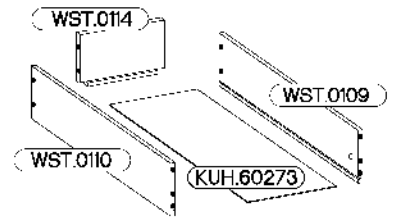
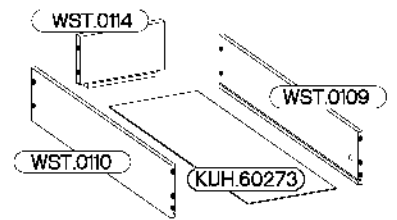
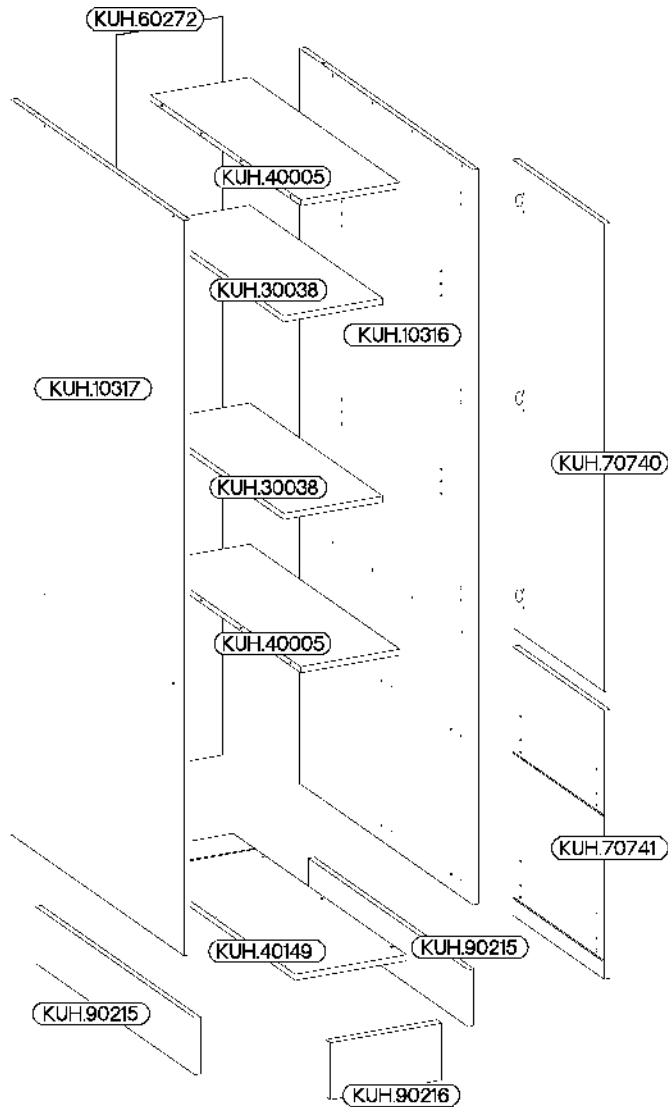
**respekta®**



|   |  |   |  |  |  |  |   |   |  |   |
|---|--|---|--|--|--|--|---|---|--|---|
| <br><b>†8x30mm</b><br><b>A</b><br><b>16</b> | <br><b>6,4 x 50mm</b><br><b>B</b><br><b>14</b> | <br><b>†6x42mm</b><br><b>B2</b><br><b>8</b> | <br><b>†12/10mm</b><br><b>C5</b><br><b>4</b>   | <br><b>L=20mm</b><br><b>D2</b><br><b>4</b>       | <br><b>E1</b><br><b>14</b>                     | <br><b>F15</b><br><b>4</b>                   | <br><b>F16</b><br><b>6</b>                    | <br><b>†35/0mm</b><br><b>HG</b><br><b>3</b> | <br><b>L</b><br><b>L=450mm</b><br><b>L11</b><br><b>2</b> | <br><b>†5/16mm</b><br><b>J3</b><br><b>8</b> |
| <br><b>L25</b><br><b>1</b>                  | <br><b>†6.3x13mm</b><br><b>M2</b><br><b>16</b> | <br><b>O</b><br><b>1</b>                    | <br><b>†3.5x13mm</b><br><b>P5</b><br><b>36</b> | <br><b>†3.0x20mm</b><br><b>P7</b><br><b>8-10</b> | <br><b>†3.0x16mm</b><br><b>P11</b><br><b>6</b> | <br><b>†4.0x25mm</b><br><b>R</b><br><b>4</b> | <br><b>L=295mm</b><br><b>SL30</b><br><b>2</b> |   |  |   |



**ISM-KUH-01606**



| Colli       | Spare Part   | Dimension    |
|-------------|--------------|--------------|
| Colli 1/2   | KUH.40005 x2 | 267x485x16   |
|             | KUH.40149    | 299x560x16   |
|             | KUH.70740    | 1238x296x16  |
|             | KUH.90215 x2 | 515x150x16   |
|             | KUH.90216    | 299x150x16   |
| Colli 2/2   | KUH.10316    | 1945x560x16  |
|             | KUH.10317    | 1945x560x16  |
|             | KUH.30038 x2 | 266x430x16   |
|             | KUH.60272    | 1953x285x2,5 |
|             | KUH.60273 x2 | 448x237x2,5  |
|             | KUH.70741    | 711x296x16   |
|             | WST.0109 x2  | 450x140x12   |
|             | WST.0110 x2  | 450x140x12   |
| WST.0114 x2 | 227x140x12   |              |

+8x30mm

L

+6.3x13mm

R



A L=450mm

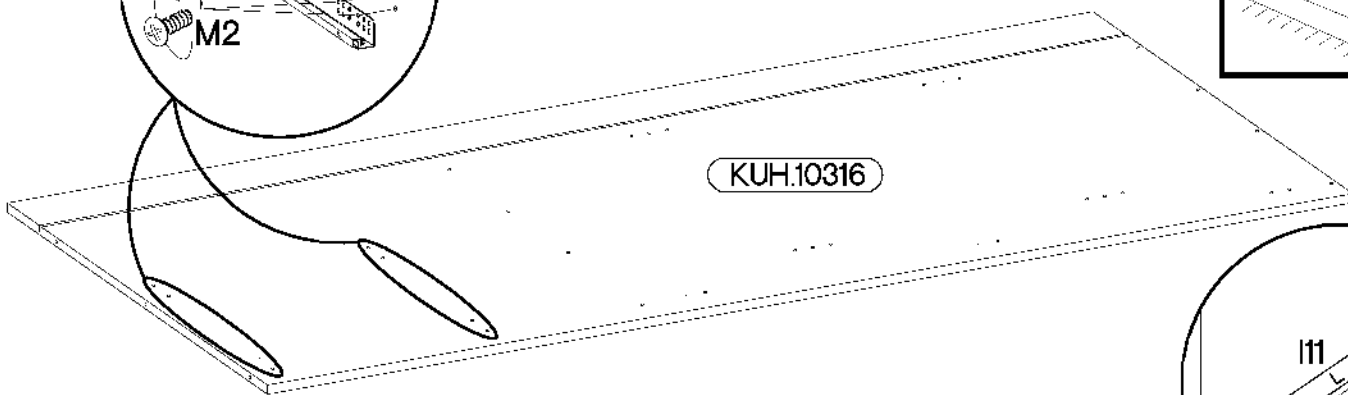
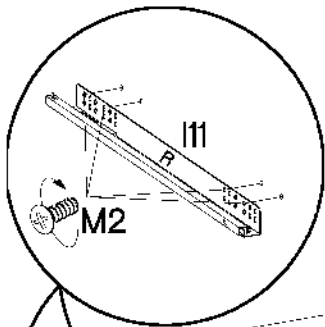
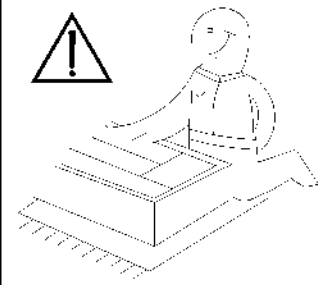
I11

M2

8

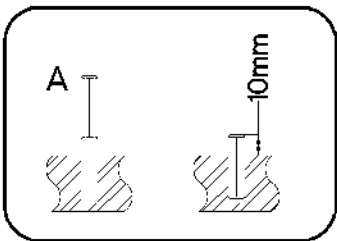
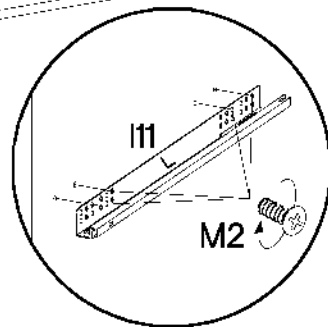
2

16



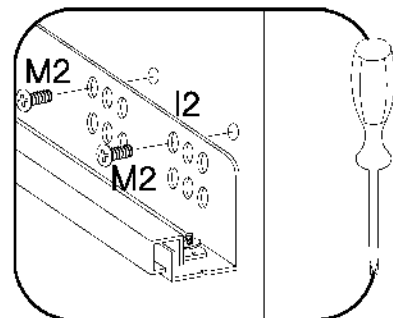
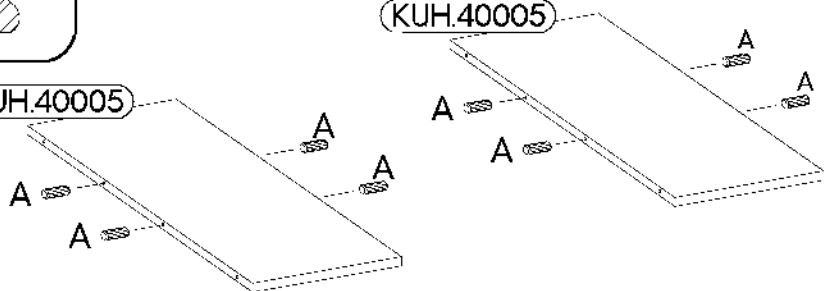
KUH.10316

KUH.10317

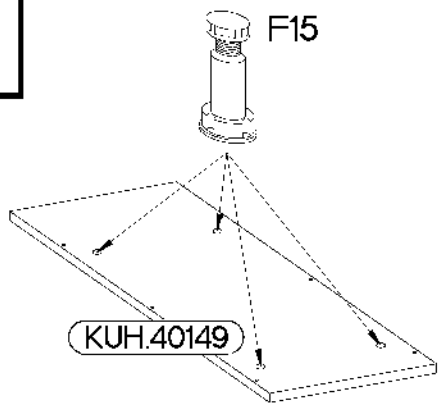


KUH.40005

KUH.40005



2



KUH.40149

+3.5x13mm

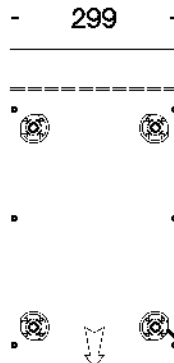


P5

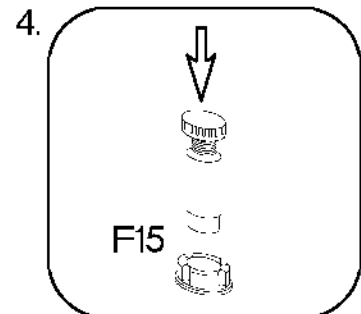
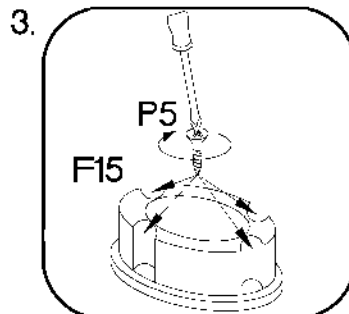
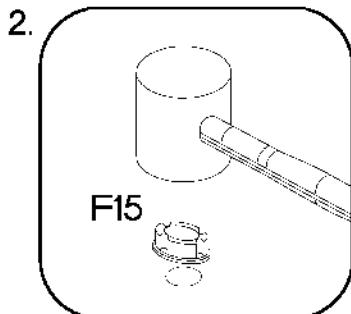
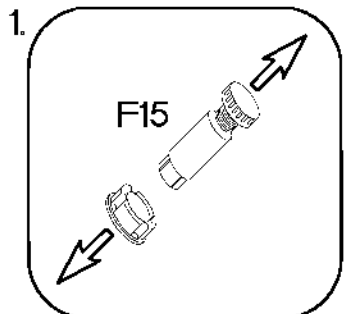
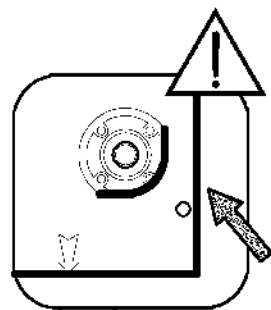
F15

16

4



299



6,4 x 50mm



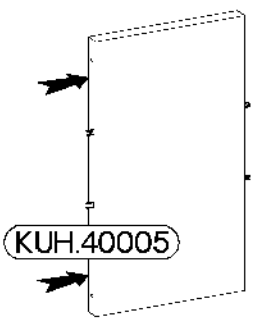
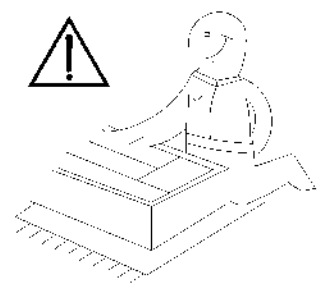
2 B



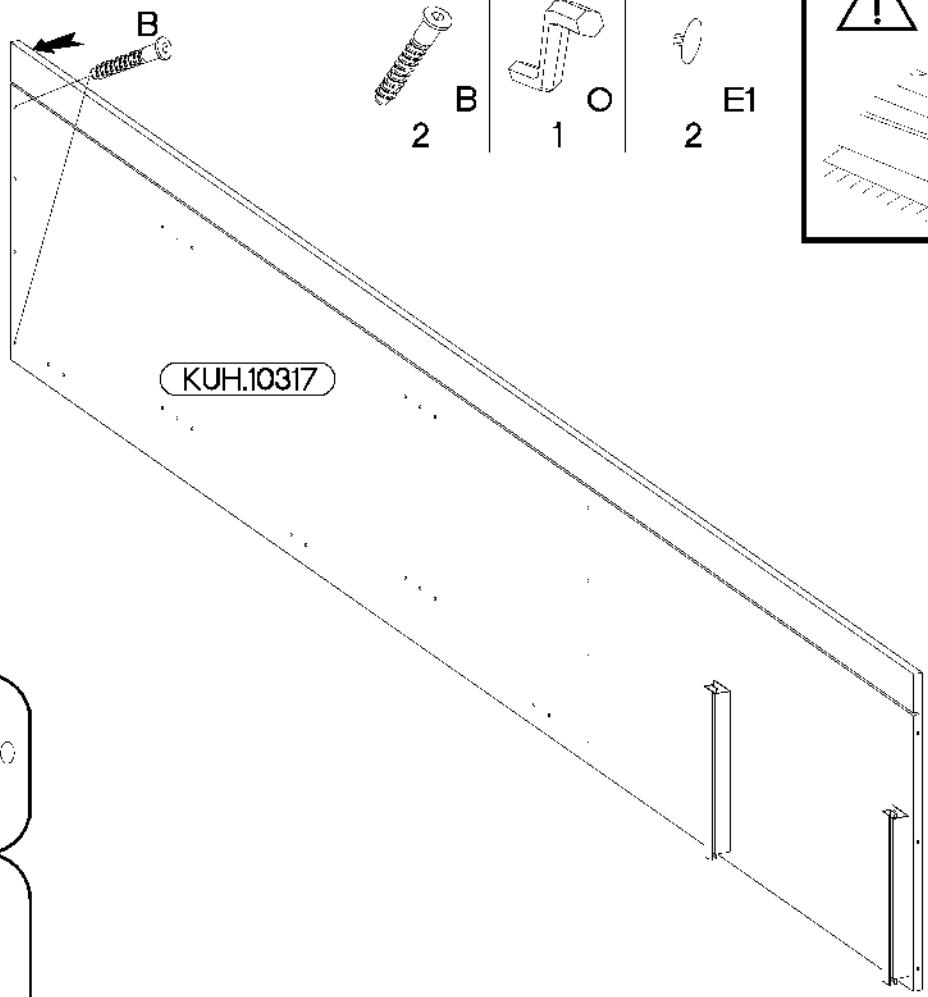
1 O



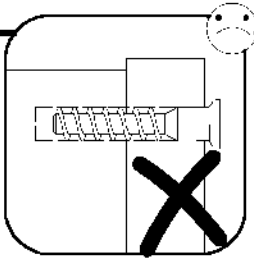
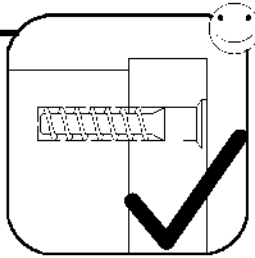
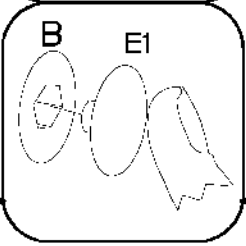
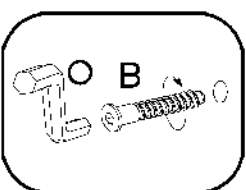
2 E1



KUH.40005



KUH.10317



KUH.40005

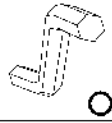
KUH.10317

KUH.40005

6,4 x 50mm



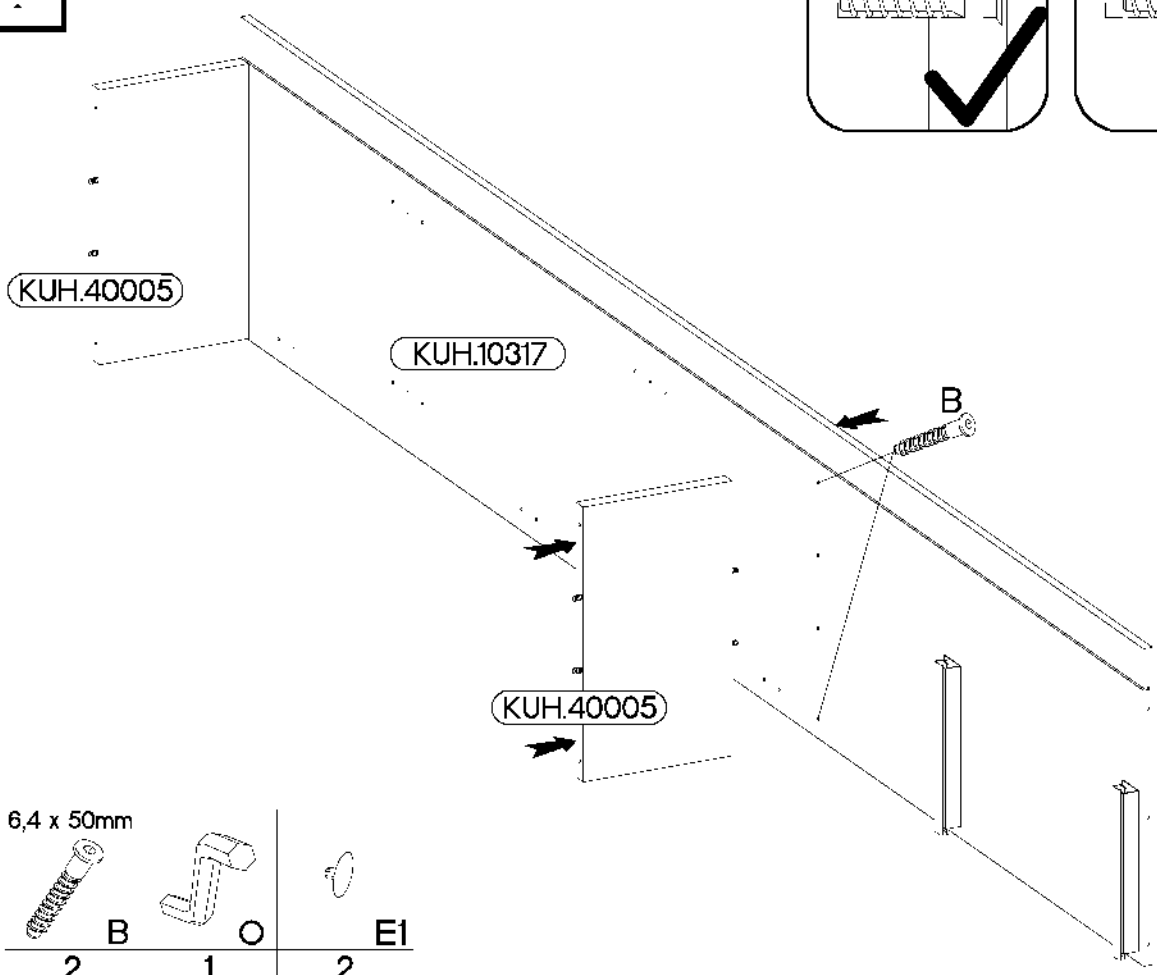
2 B



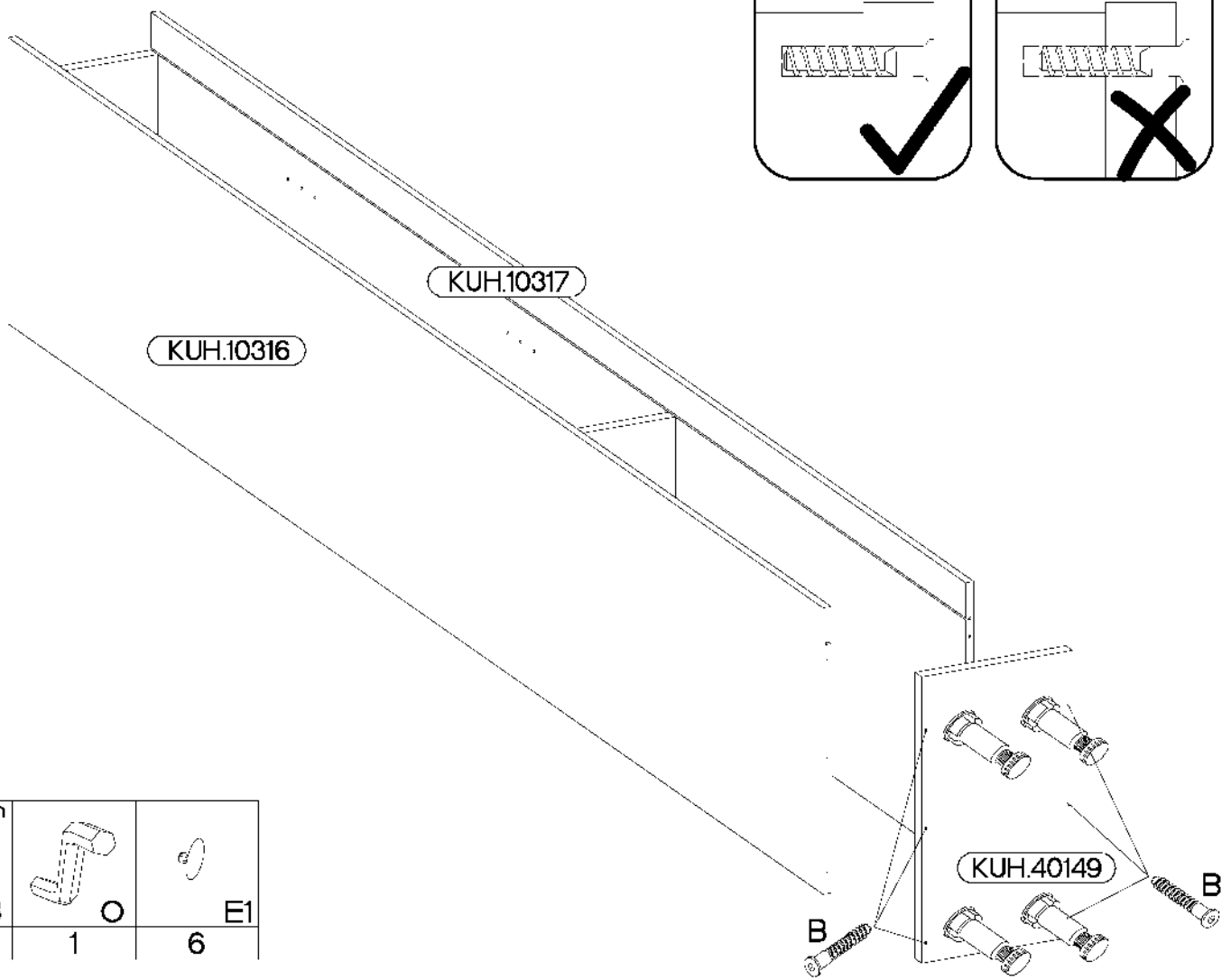
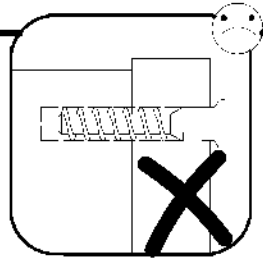
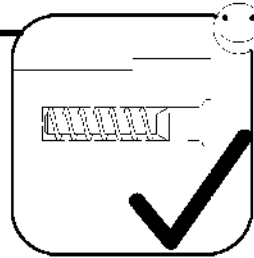
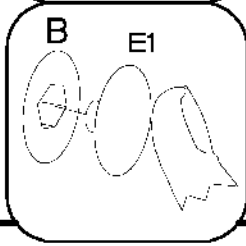
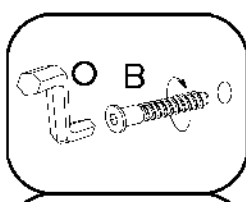
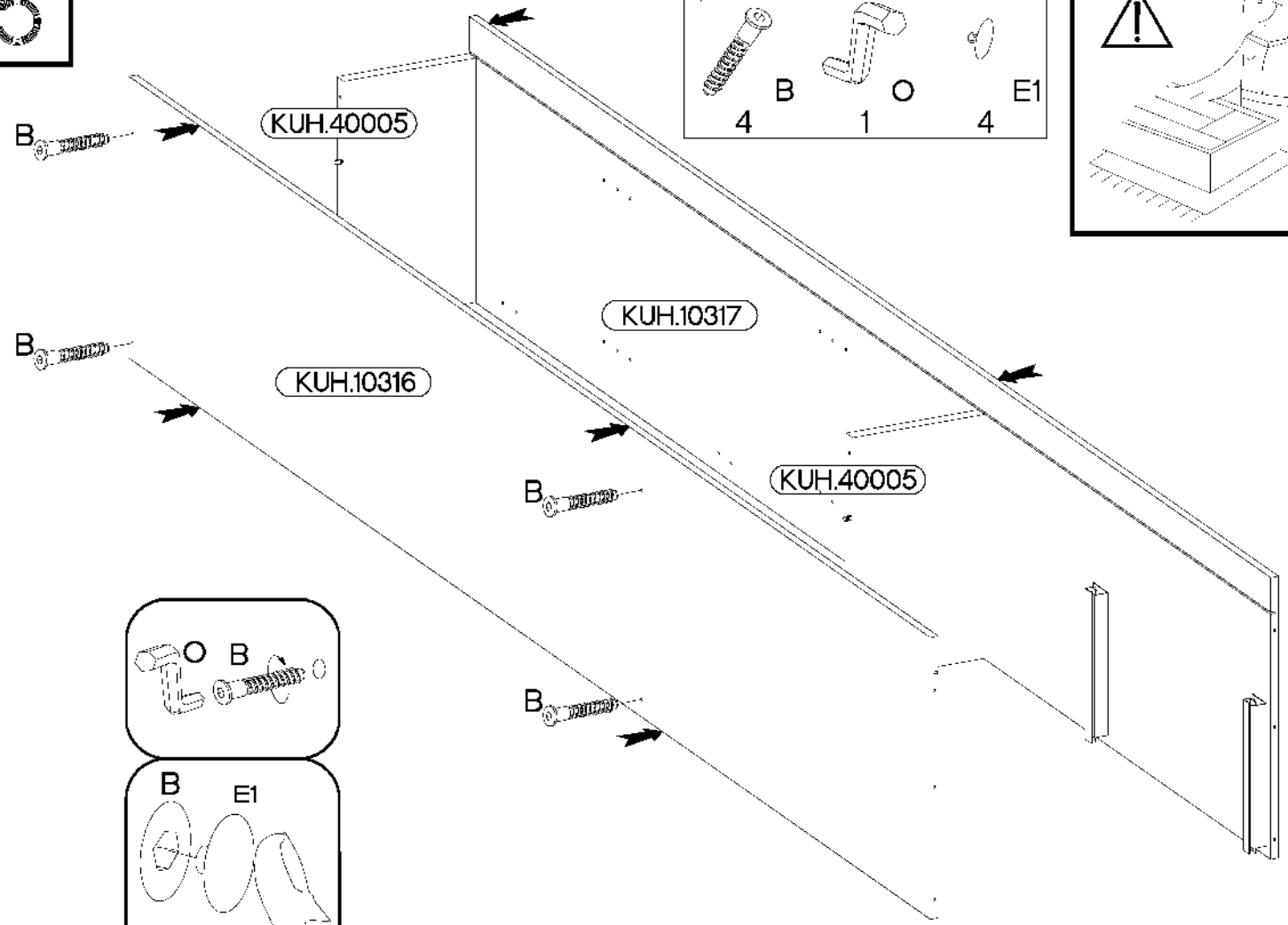
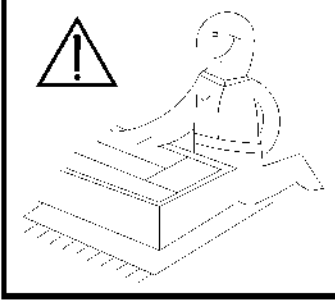
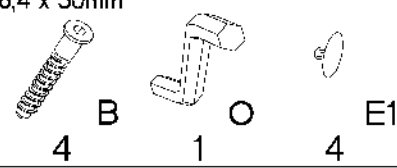
1 O



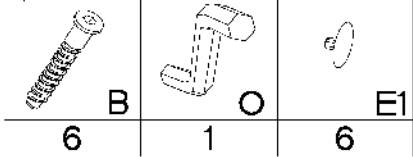
2 E1



6,4 x 50mm



6,4 x 50mm



KUH.40149

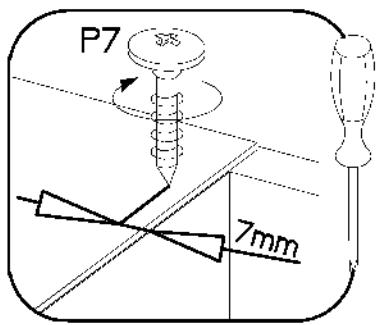
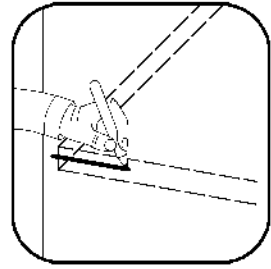
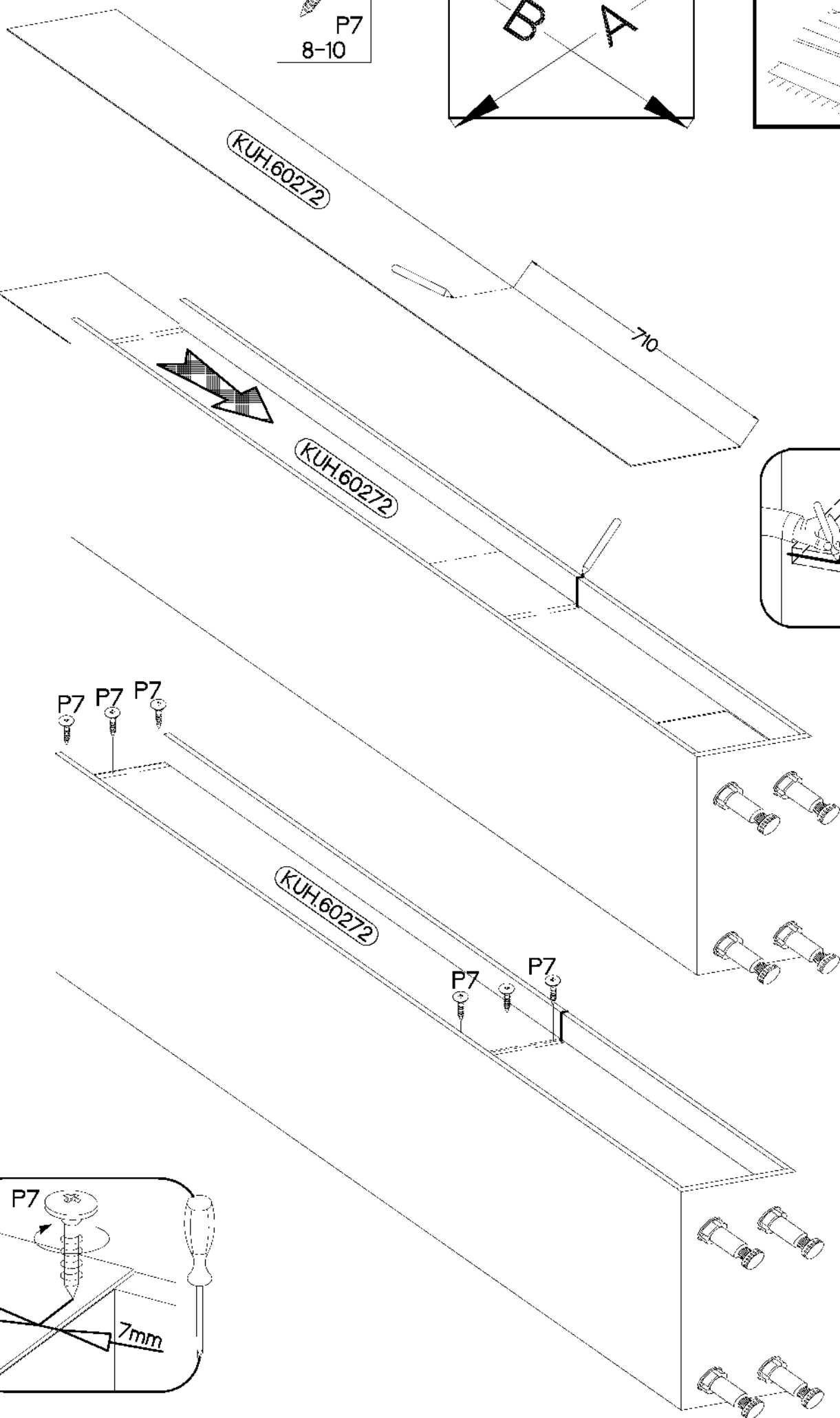
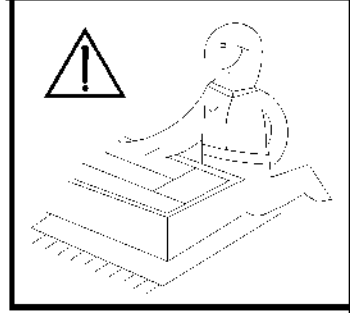
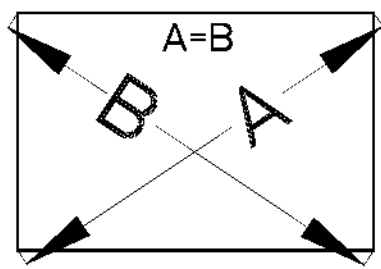


±3.0x20mm



P7

8-10



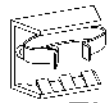


±3.5x13mm



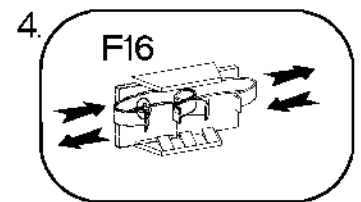
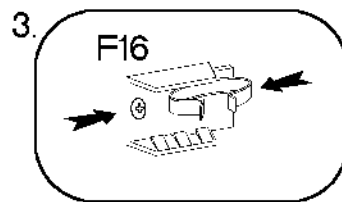
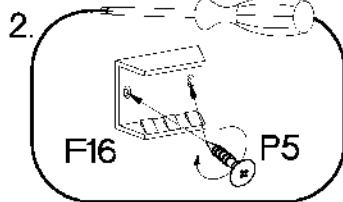
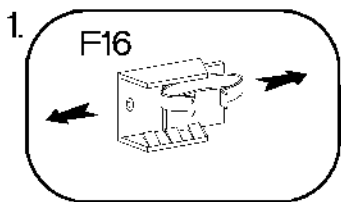
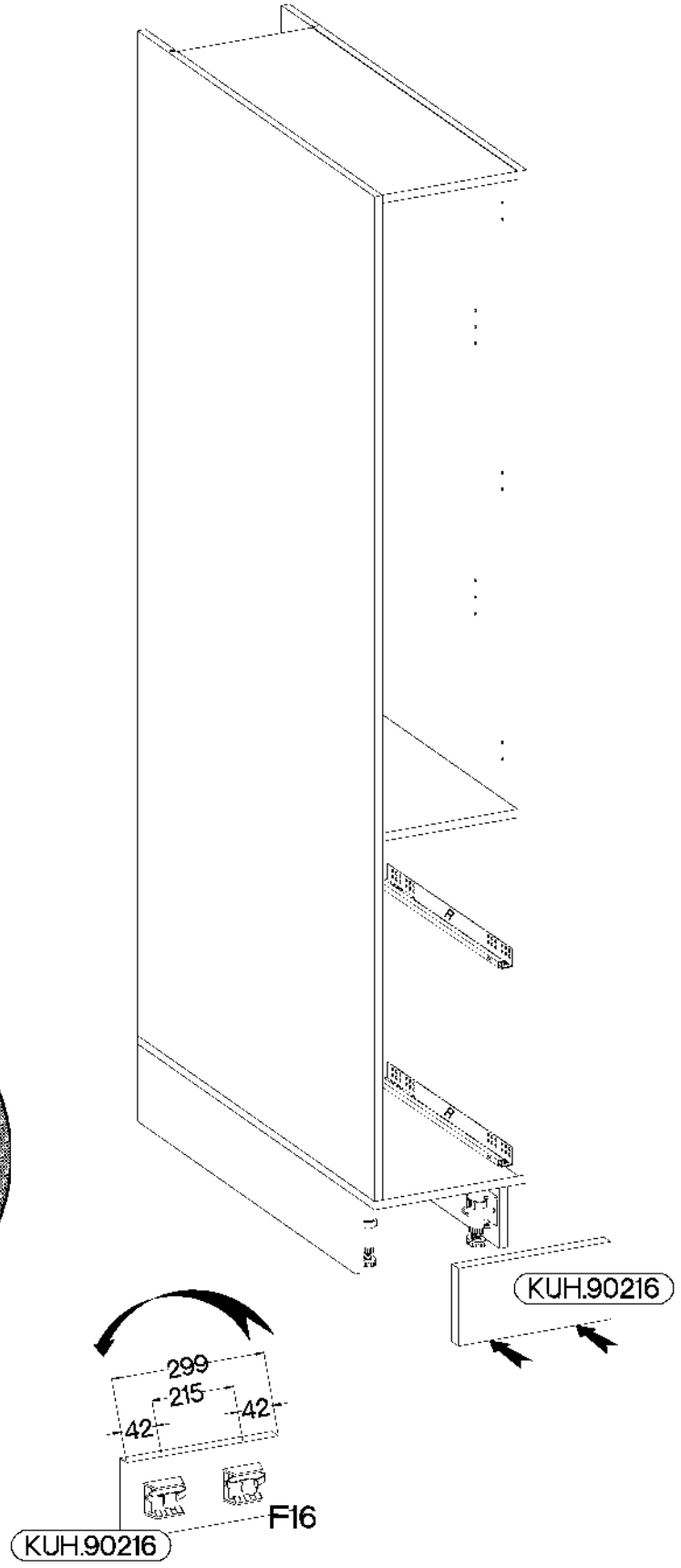
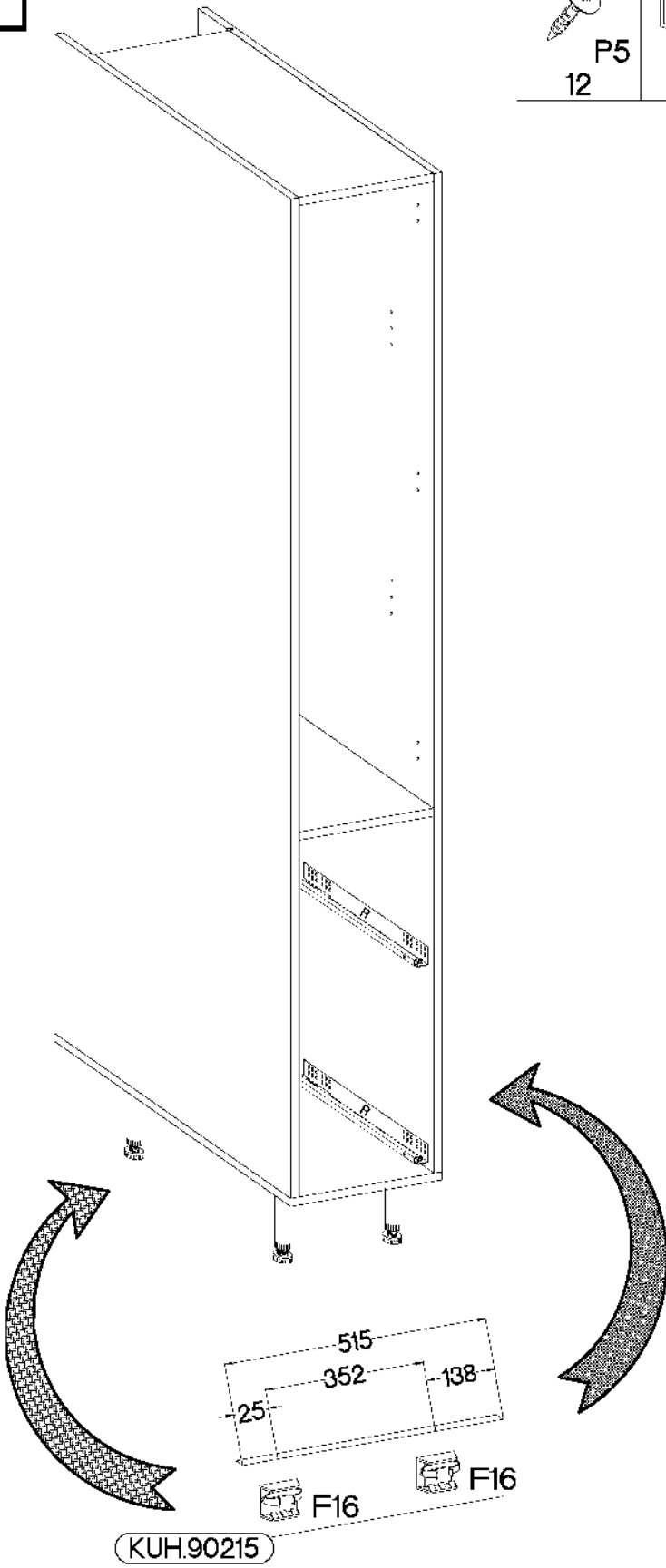
P5

12

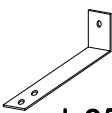



F16

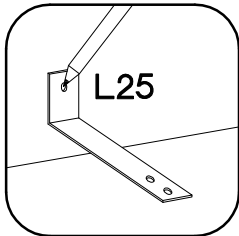
6



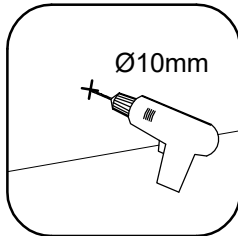


|  |  |
|--|--|
|  |  |
| L25  | P5   |
| 1  | 2  |

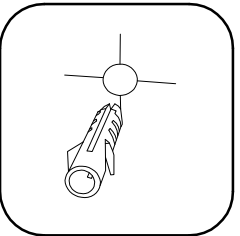
1.



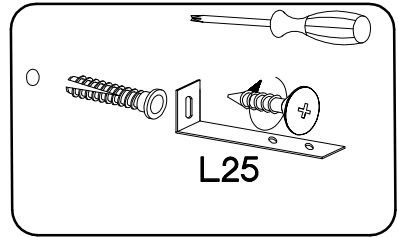
2.



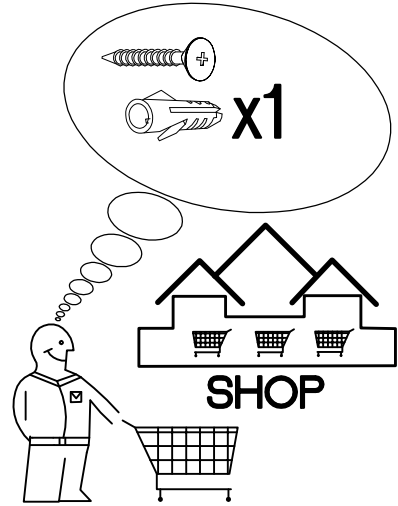
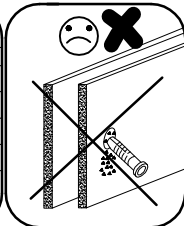
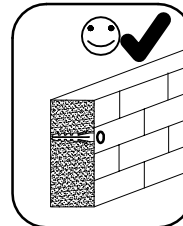
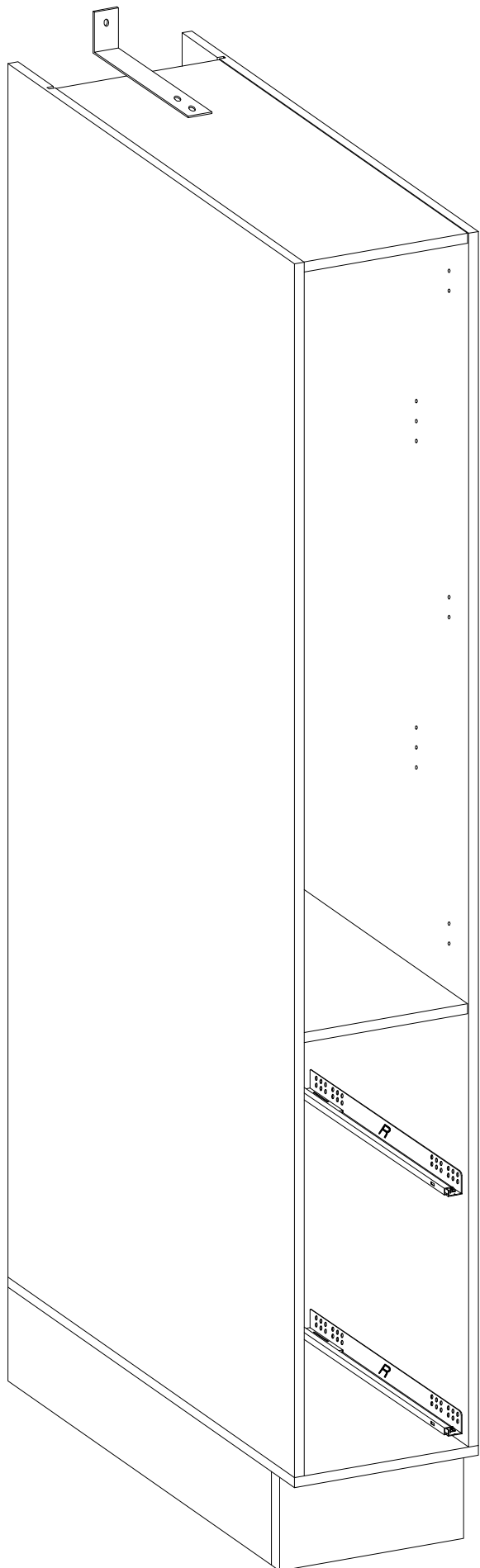
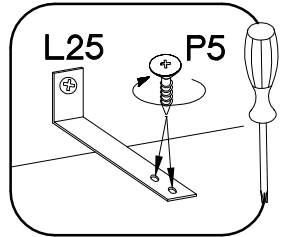
3.



4.



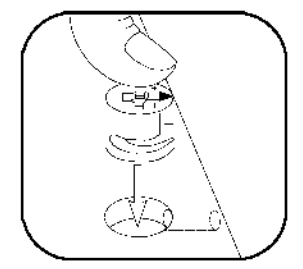
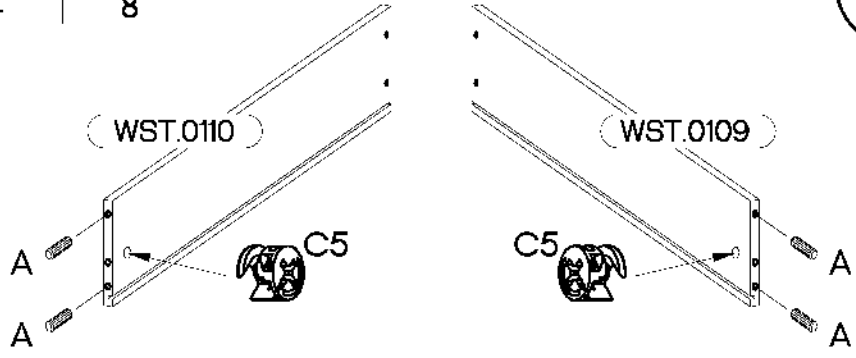
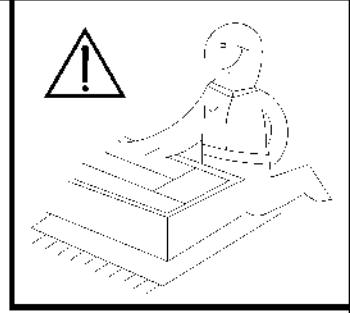
5.



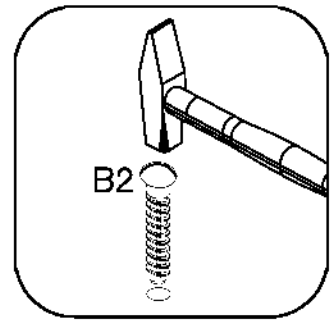
10

- #12/10mm C5 4
- #8x30mm A 8

x2

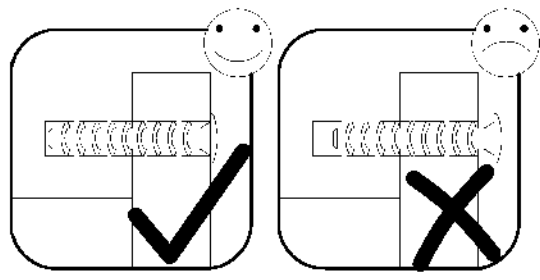
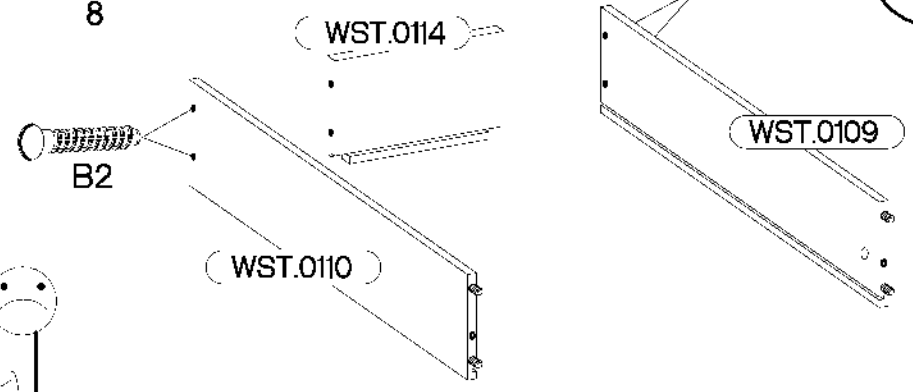


1



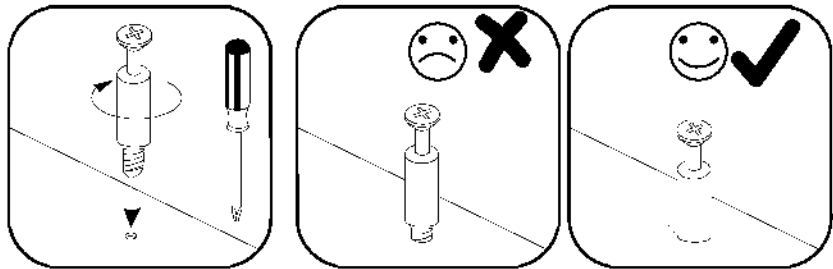
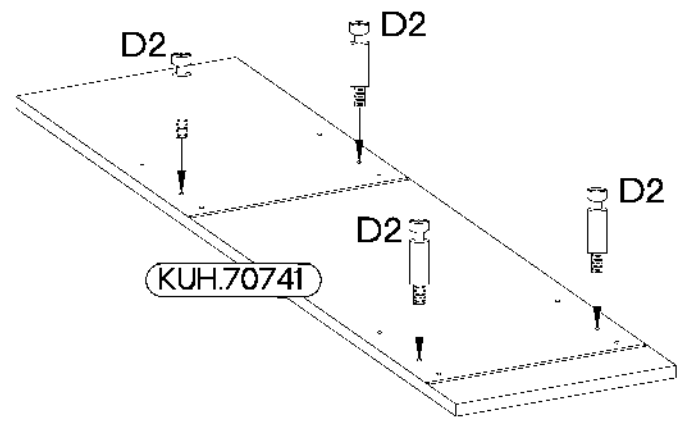
- #6x42mm B2 8

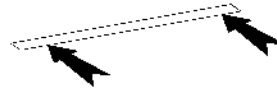
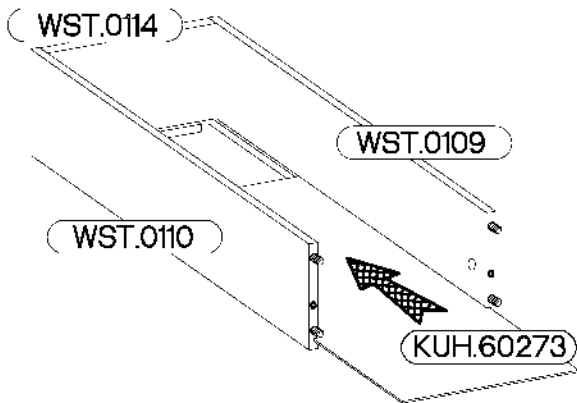
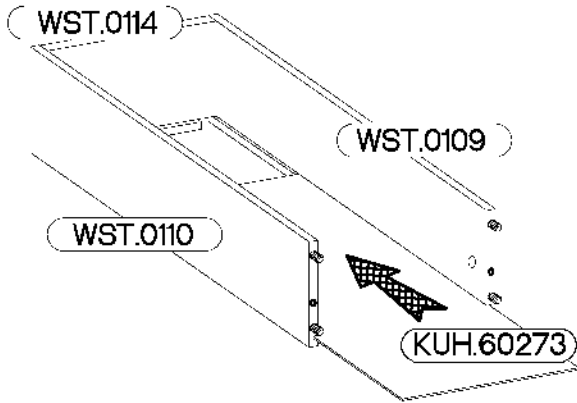
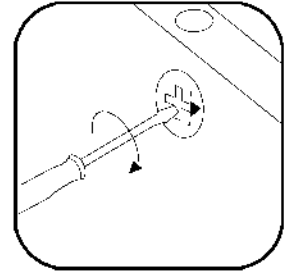
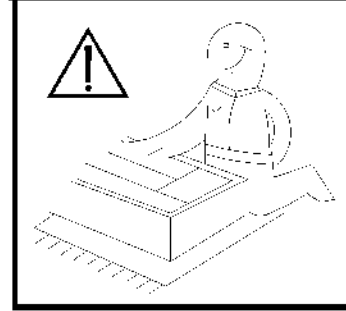
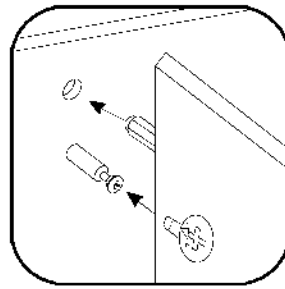
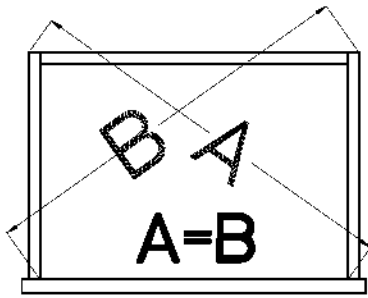
x2



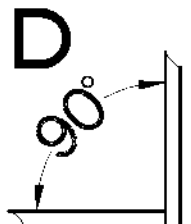
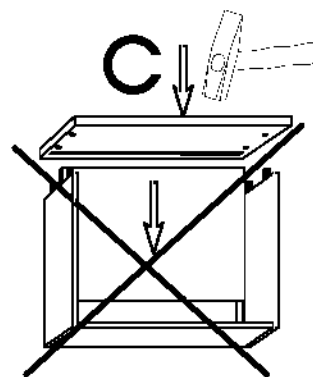
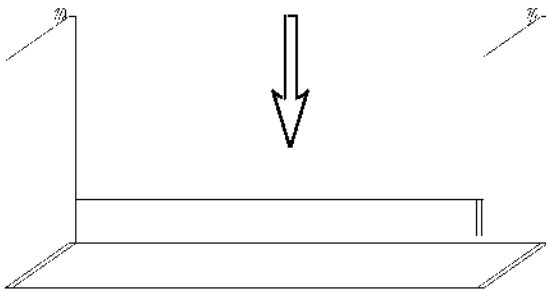
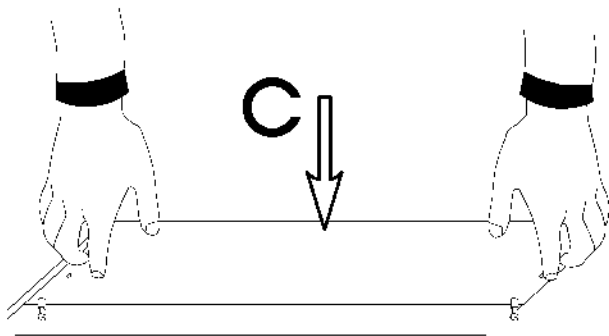
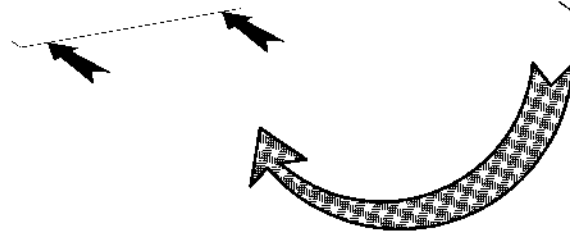
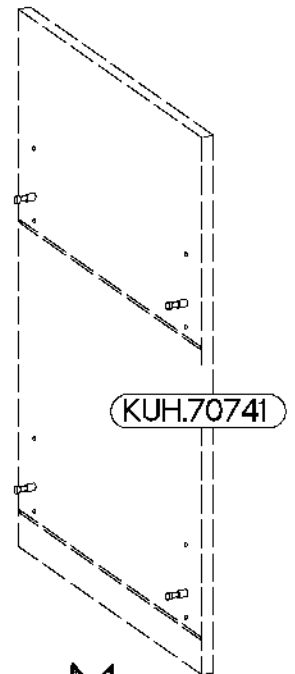
2

- L=20mm D2 4

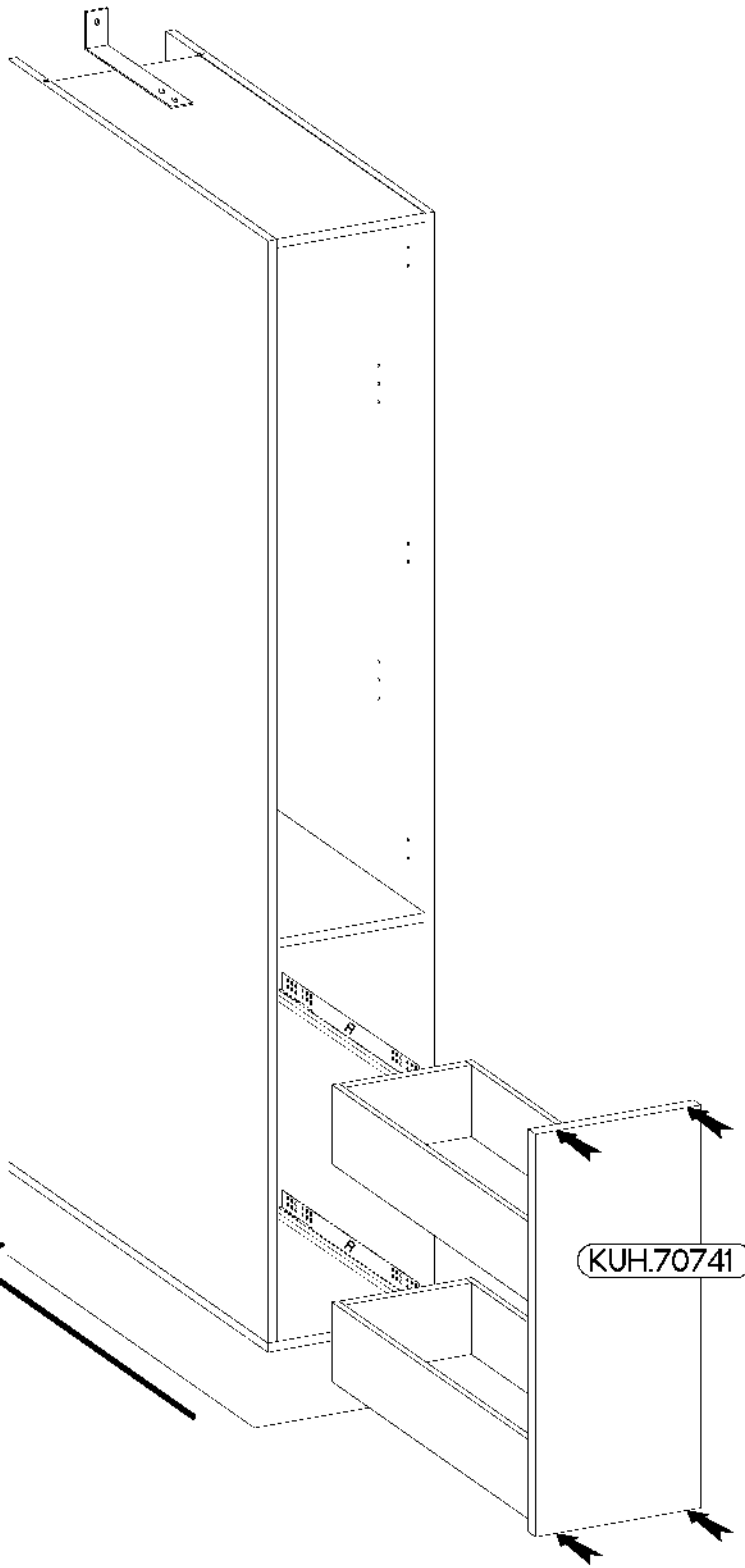




(KUH.70741)

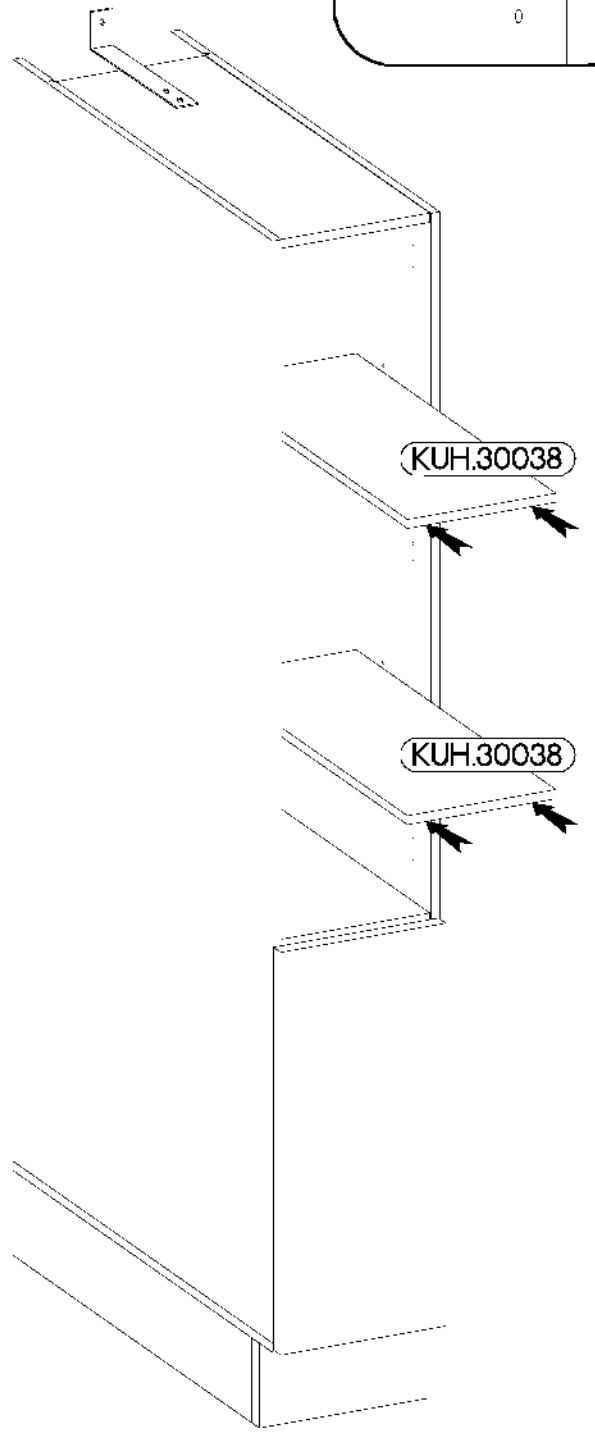
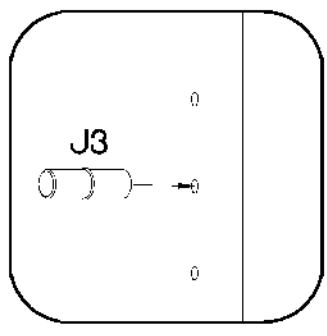


14

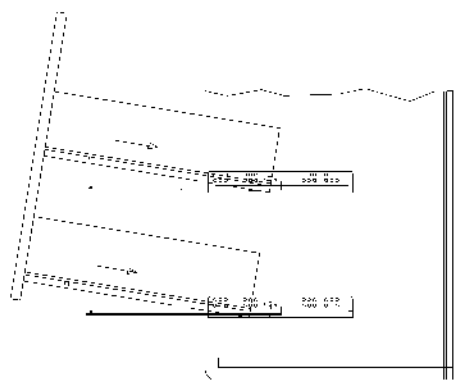


15

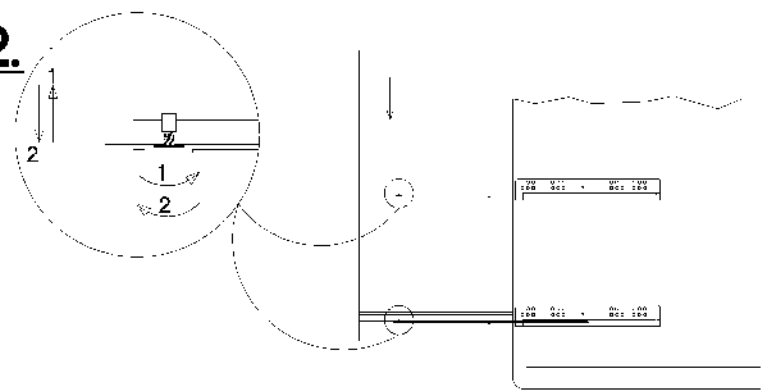
±5/16mm  
J3  
8





1.

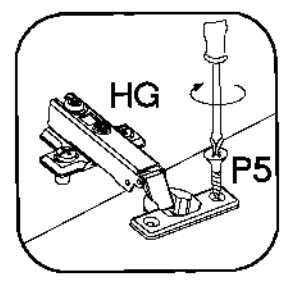
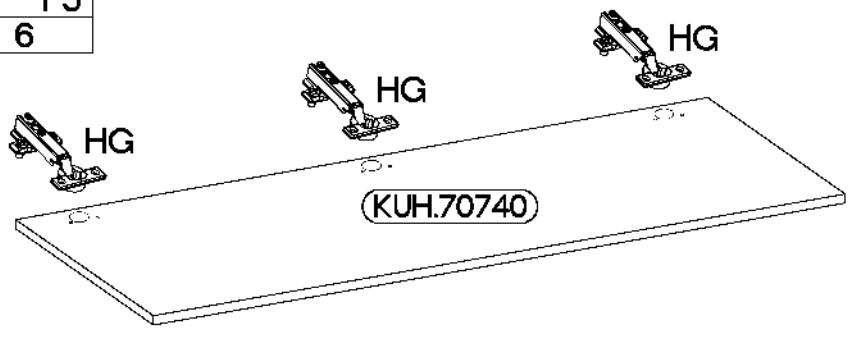


2.

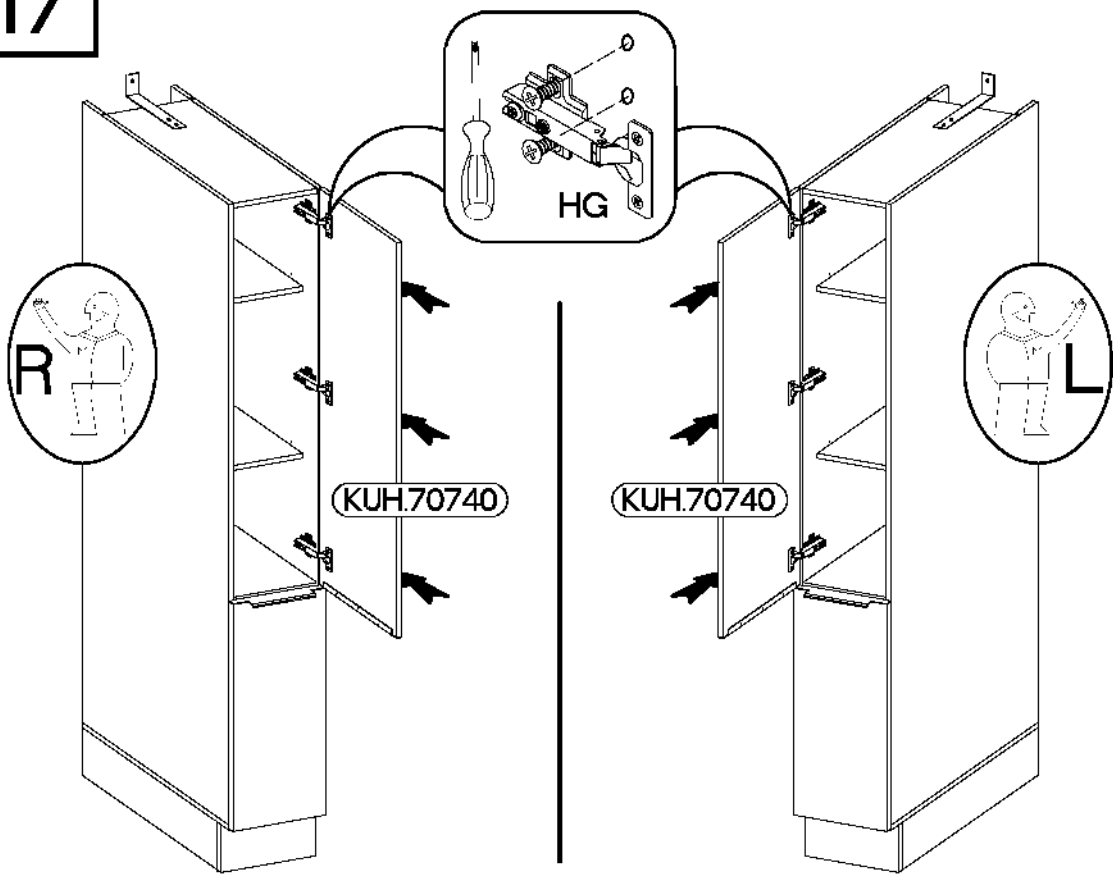




# 16

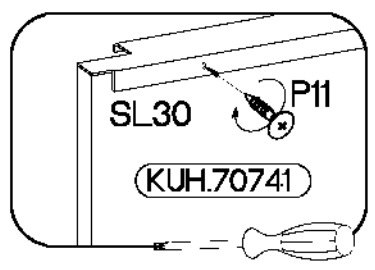
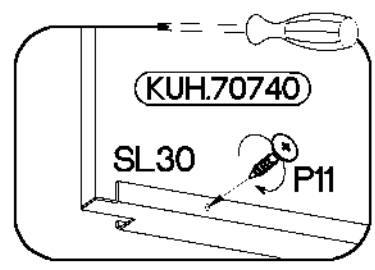
|   |   |
|---|---|
| <br>HG<br>3 | <br>P5<br>6 |
|---|---|



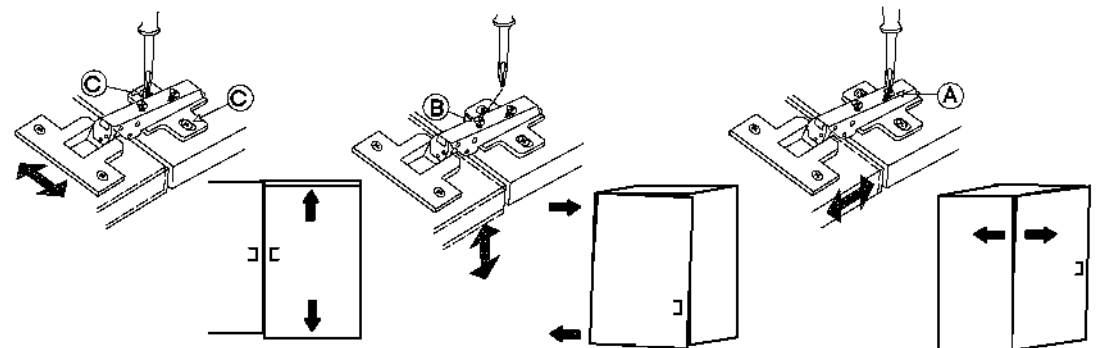
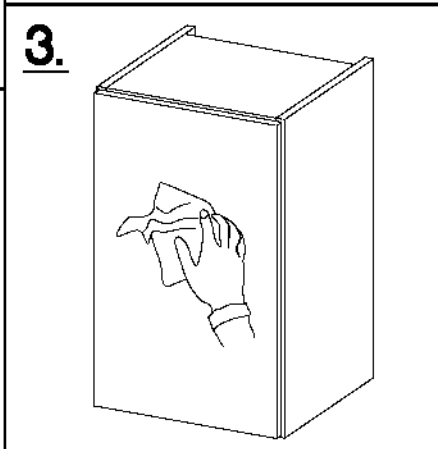
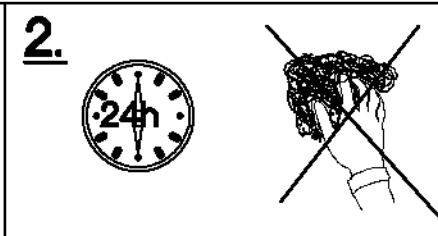
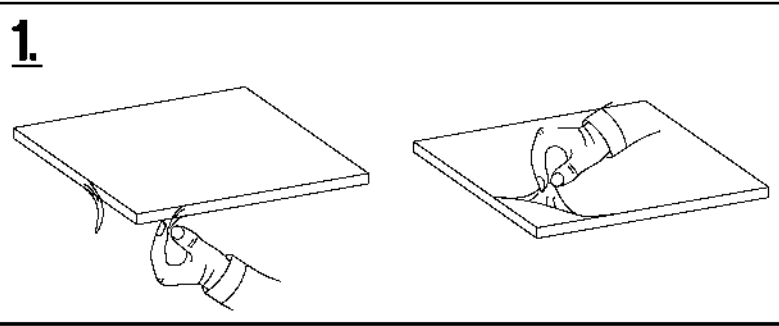
# 17



|   |  |
|---|--|
| <br>P11<br>6 | <br>SL30<br>2 |
|---|--|



## VARIANT HIGH GLOSS



|   |   |
|---|---|
| Marke   | Respekta  |
| Hersteller und verantwortliche Person mit Adresse | NEG Novex<br>Großhandelsgesellschaft für<br>Elektro- und Haustechnik GmbH<br><br>Chenover Straße 5<br>67117 Limburgerhof<br>Deutschland<br><br>info@neg-novex.de<br>www.respekta.de |