

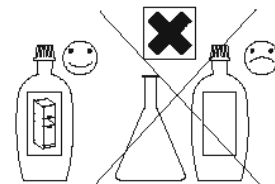
2h

SAFADO / MARLEEN

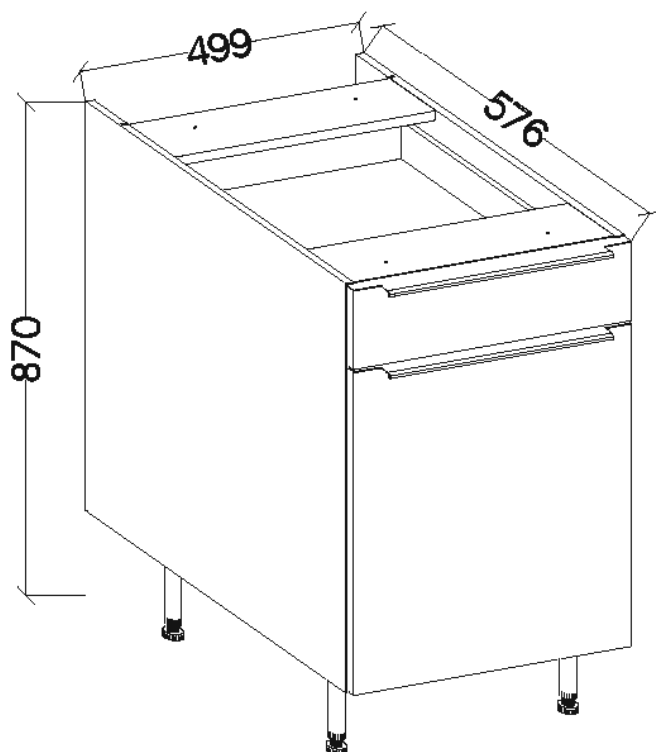
84-170-...






84-176-...





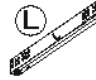

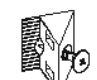
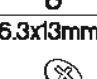


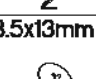
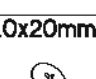
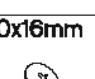
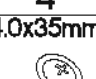
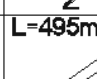
84-17A-...



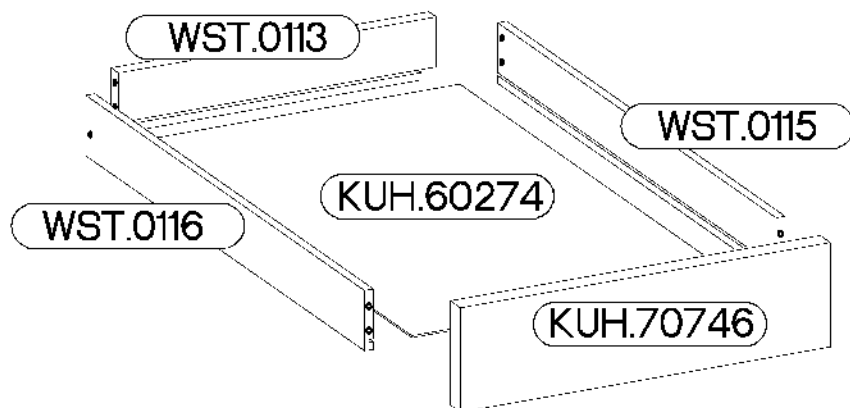
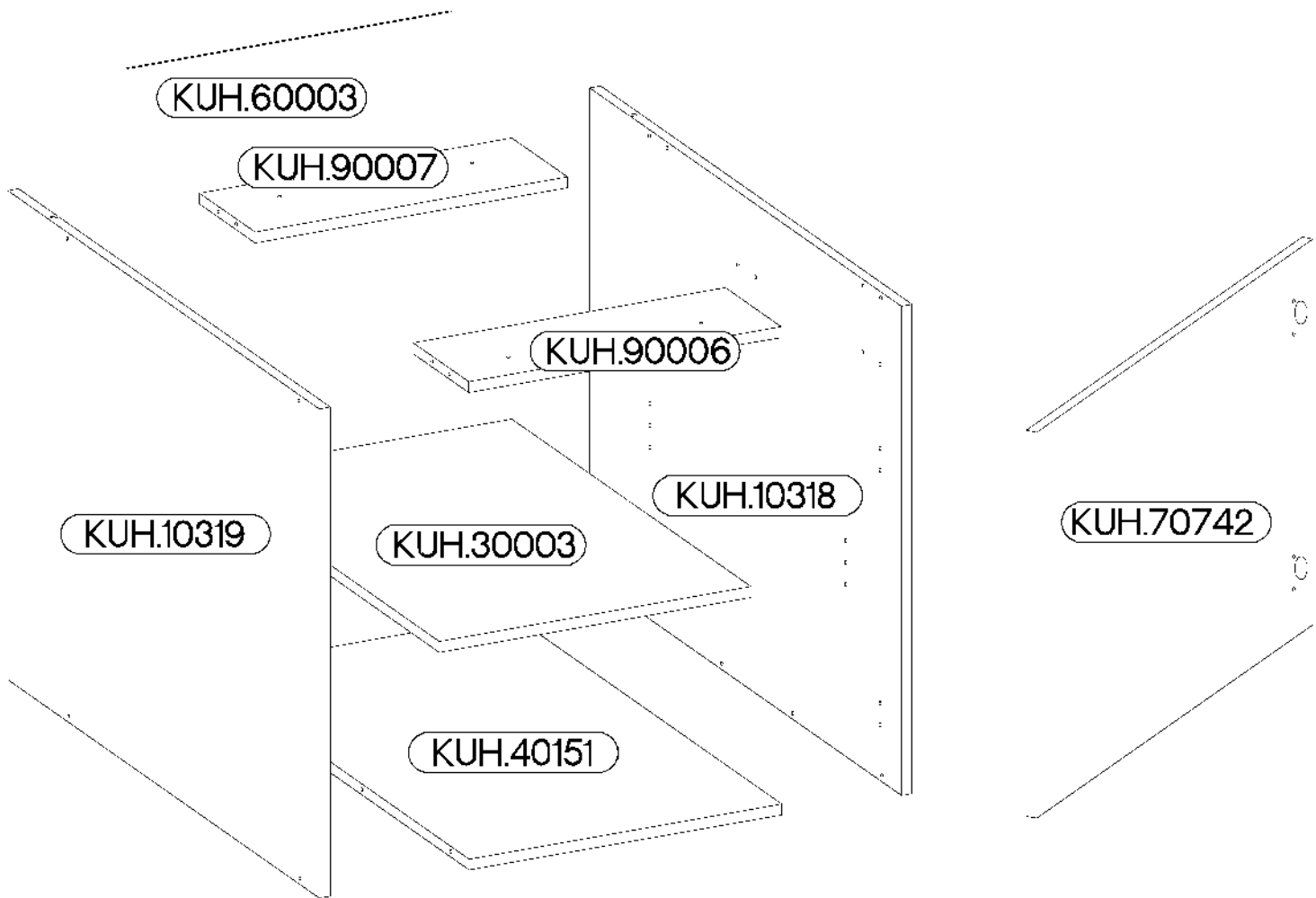
respekta®



 A	 B	 B2	 C5	 D2
12	8	2	2	2

 E1	 F15	 F16	 HG L=450mm	 L11	 J3	 L	
8	4	6	2	1	4	2	
 M2	 O	 O1	 P5	 P7	 P11	 R3	 SL50
8	1	1	32	8-10	6	4	2

ISM-KUH-01600


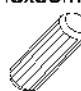



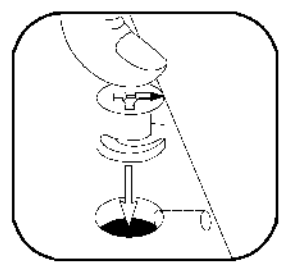
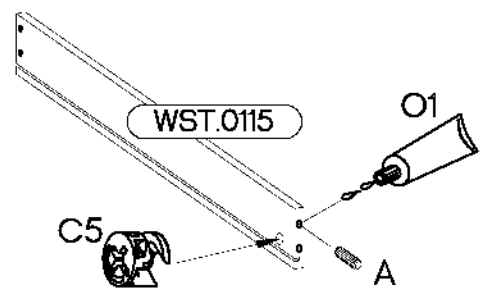
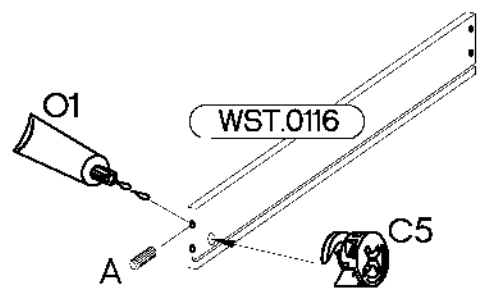
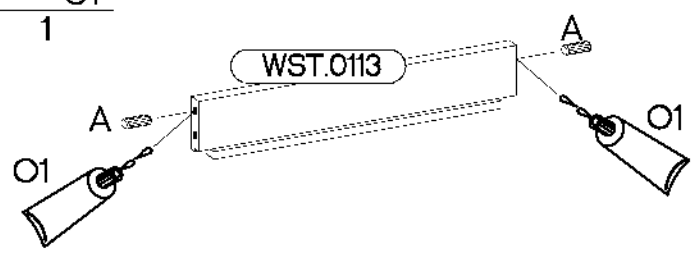
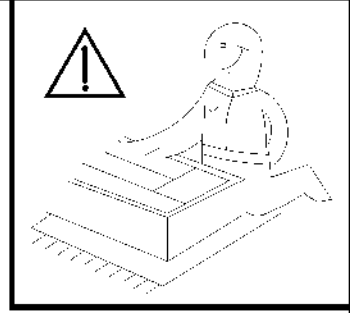
Colli	Spare Part	Dimension
Colli 1/6	KUH.10318	720x560x16
	KUH.10319	720x560x16
	KUH.30003	466x430x16
	KUH.40151	467x485x16
	KUH.60003	713x485x2,5
	KUH.60274	448x437x2,5
	KUH.70742	568x496x16
	KUH.70746	138x496x16
	KUH.90006	467x100x16
	KUH.90007	467x100x16
	WST.0113	427x80x12
	WST.0115	450x80x12
	WST.0116	450x80x12



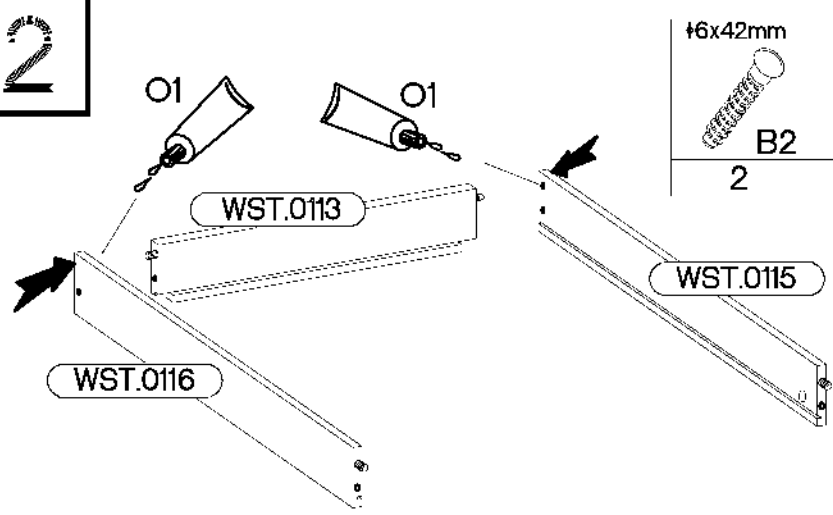
KUH.30003



KUH.40151

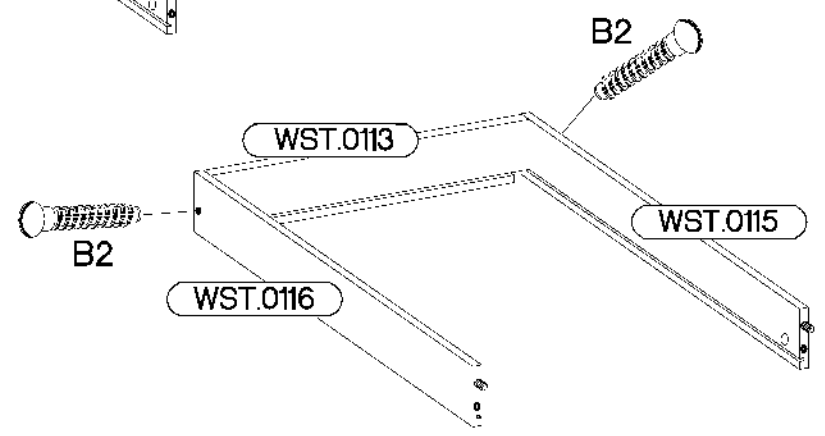
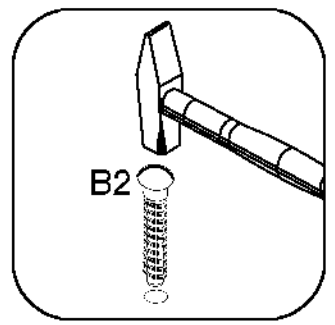
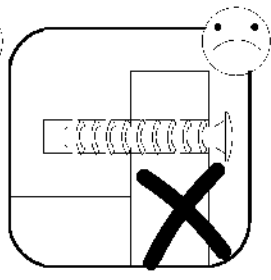
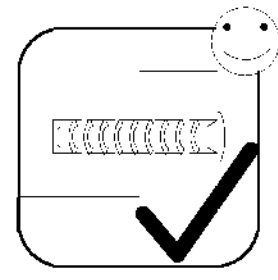
#12/10mm  C5 2	#8x30mm  A 4	 O1 1
---	---	---




2

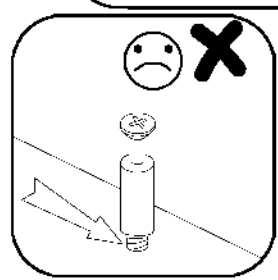
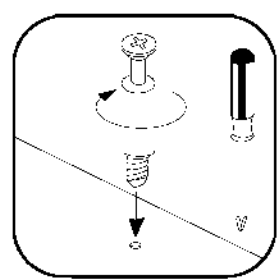
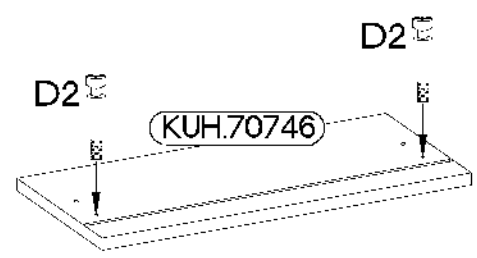


#6x42mm  B2 2	 O1 1
---	--

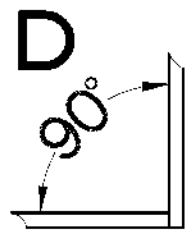
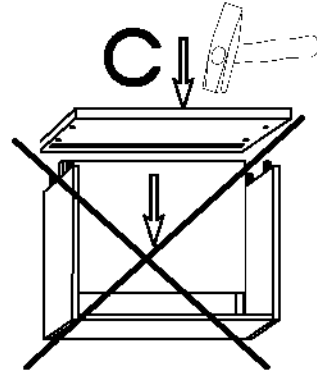
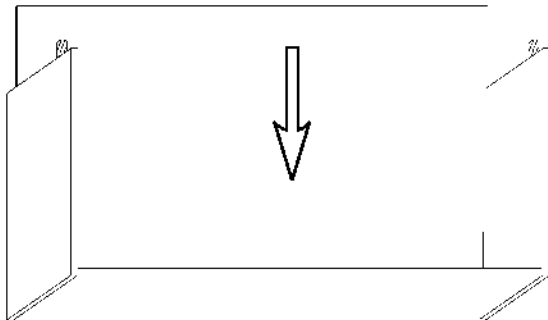
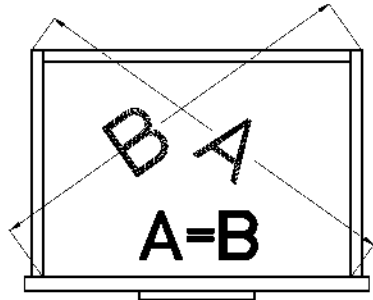
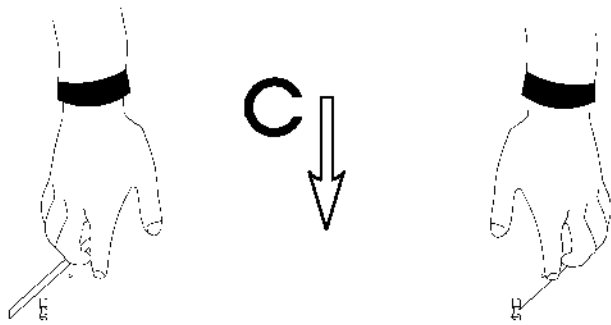
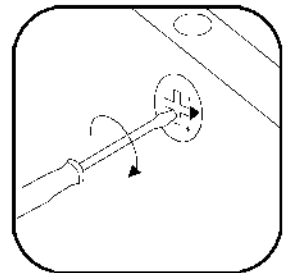
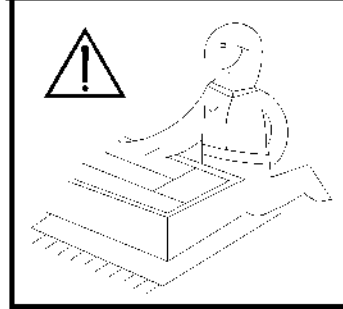
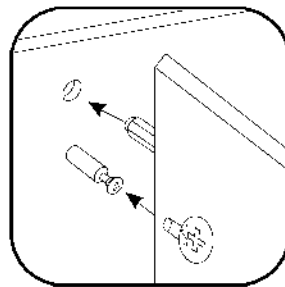
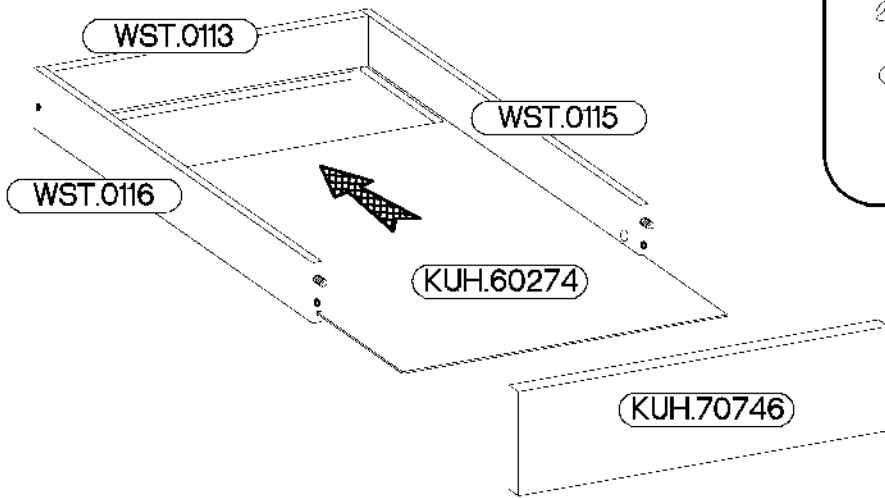


3

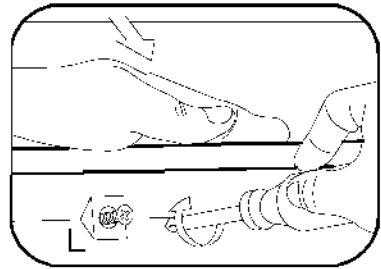
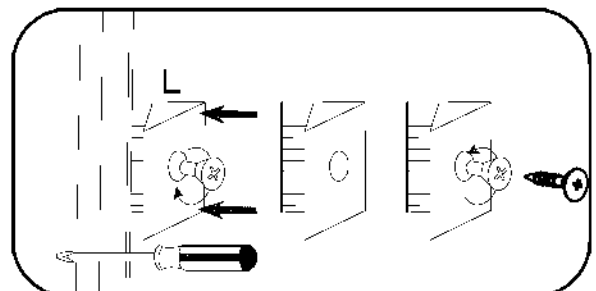
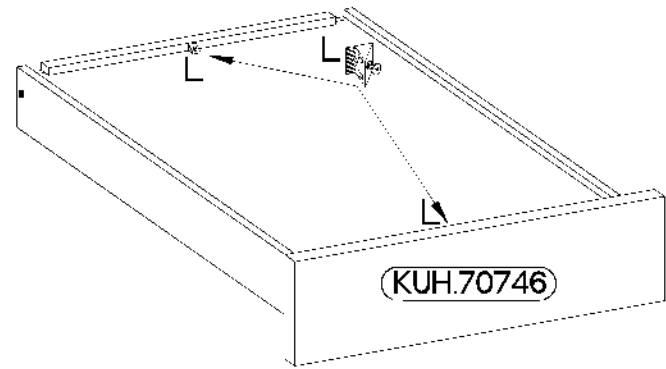
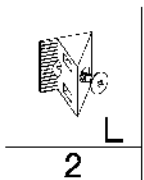
L=20mm  D2 2
--



4

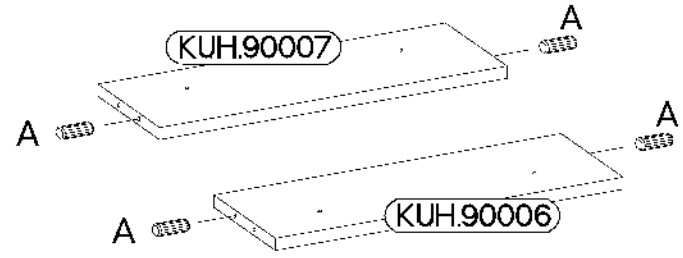
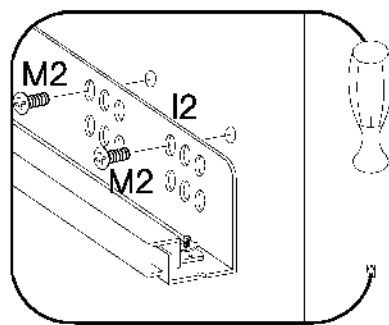
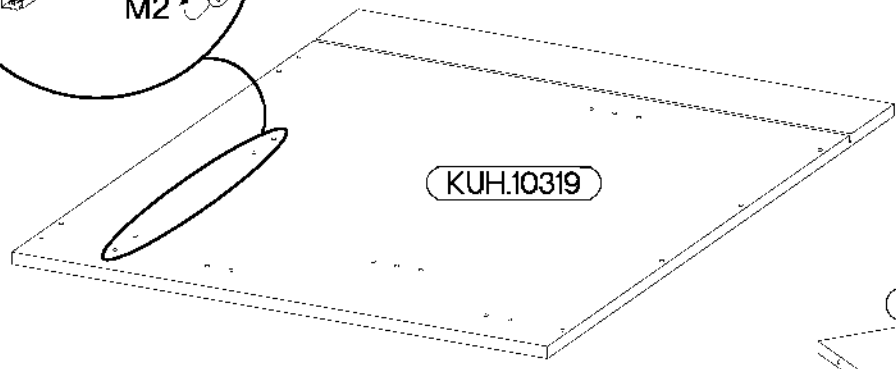
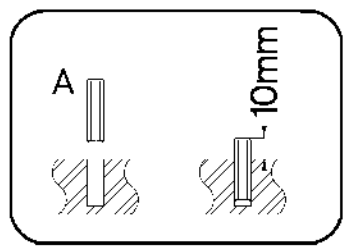
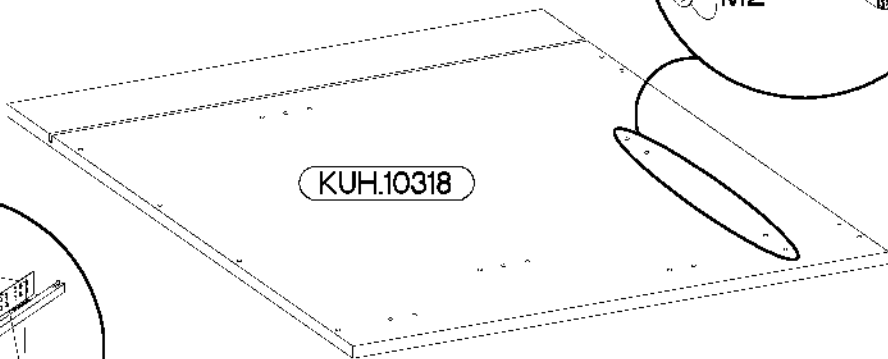
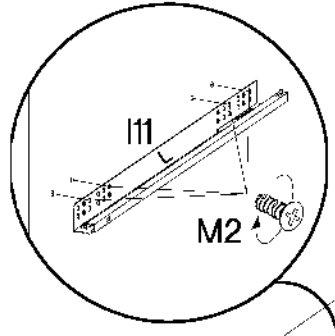
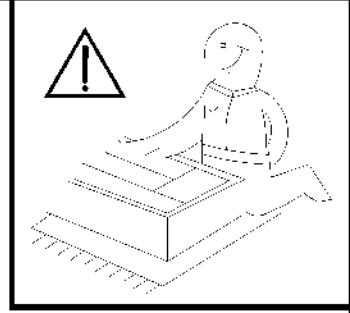
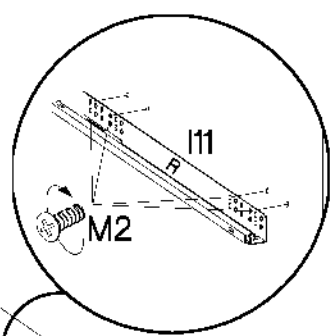


5



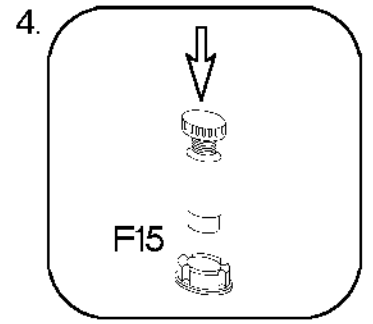
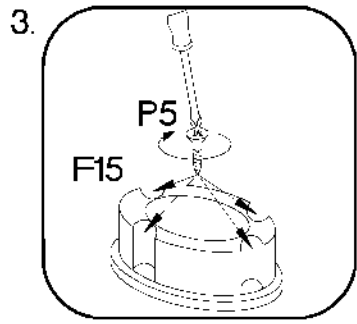
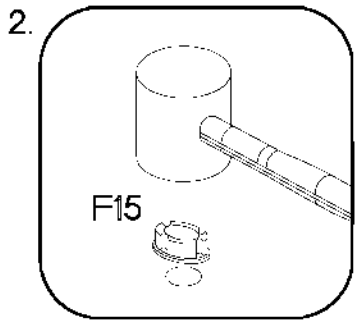
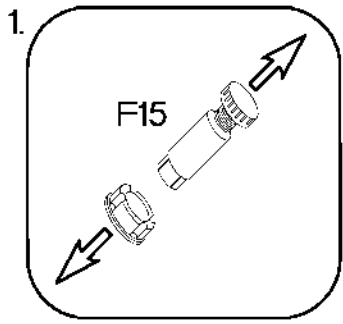
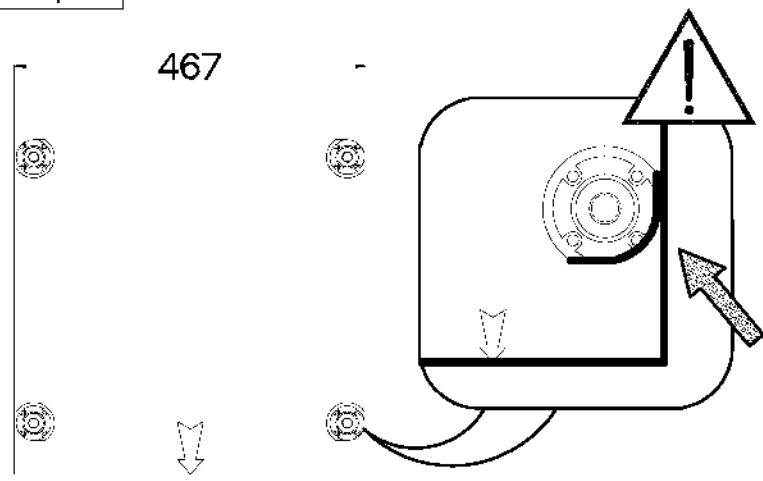
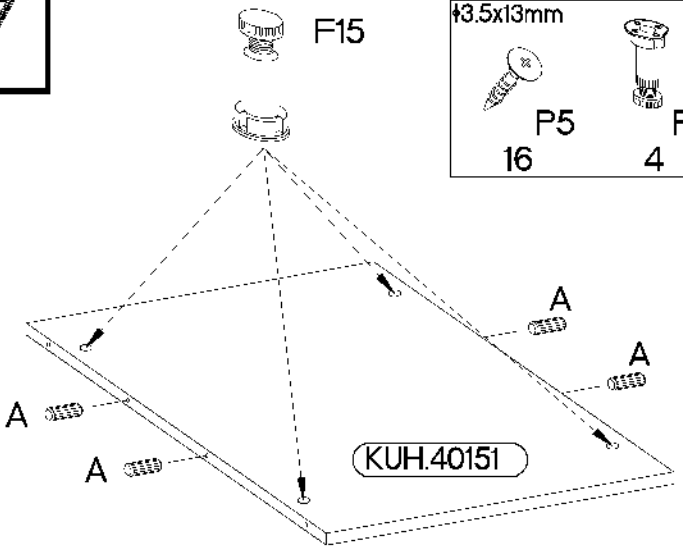
6

- 4 $\varnothing 8 \times 30 \text{mm}$
- 1 L=450mm
- 1 I11
- 8 $\varnothing 6.3 \times 13 \text{mm}$ M2



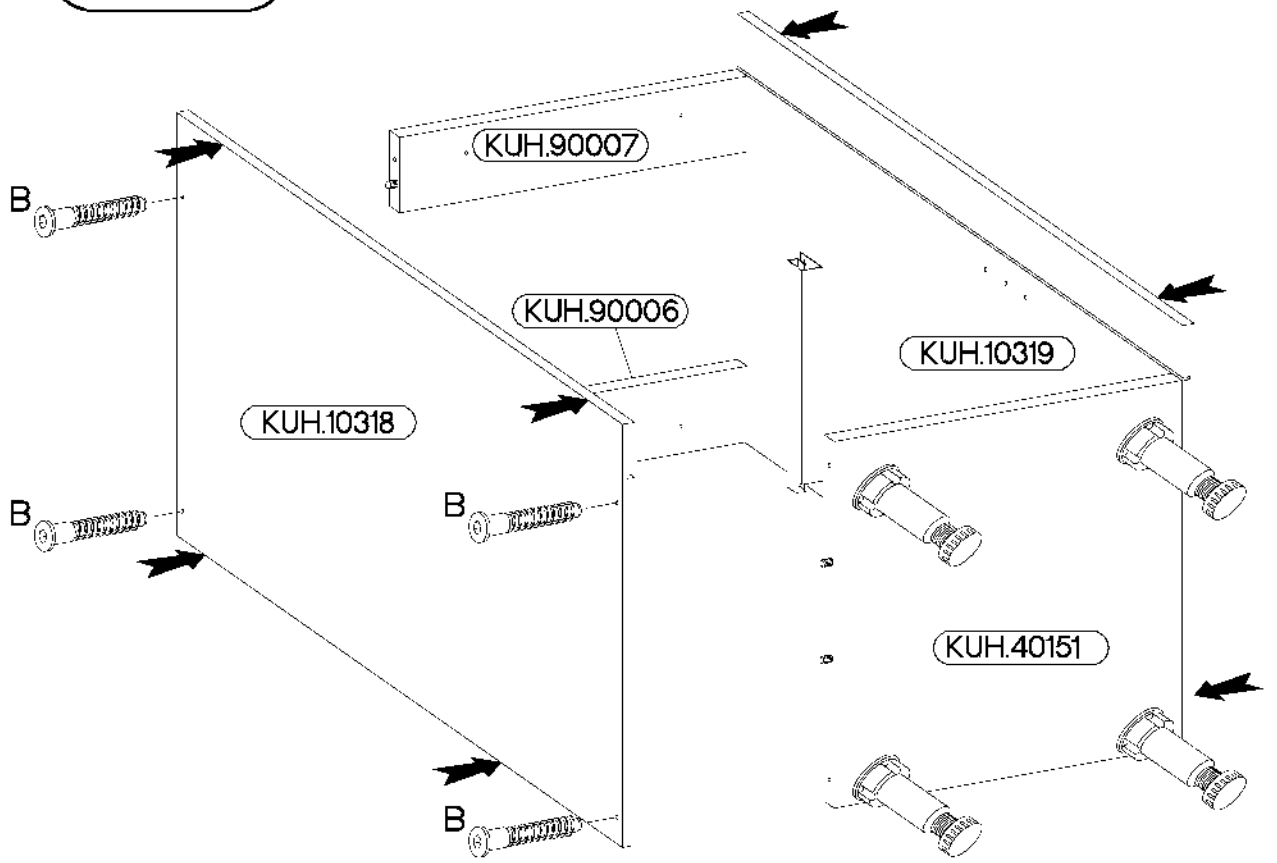
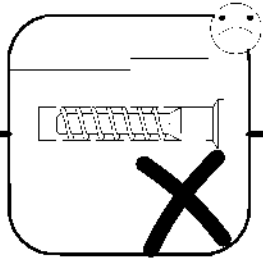
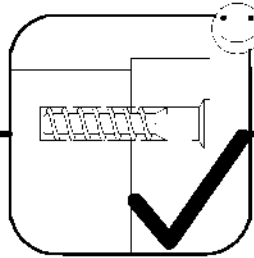
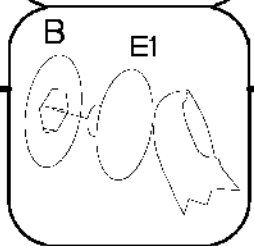
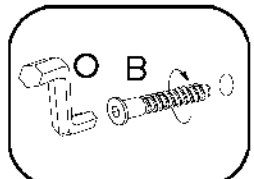
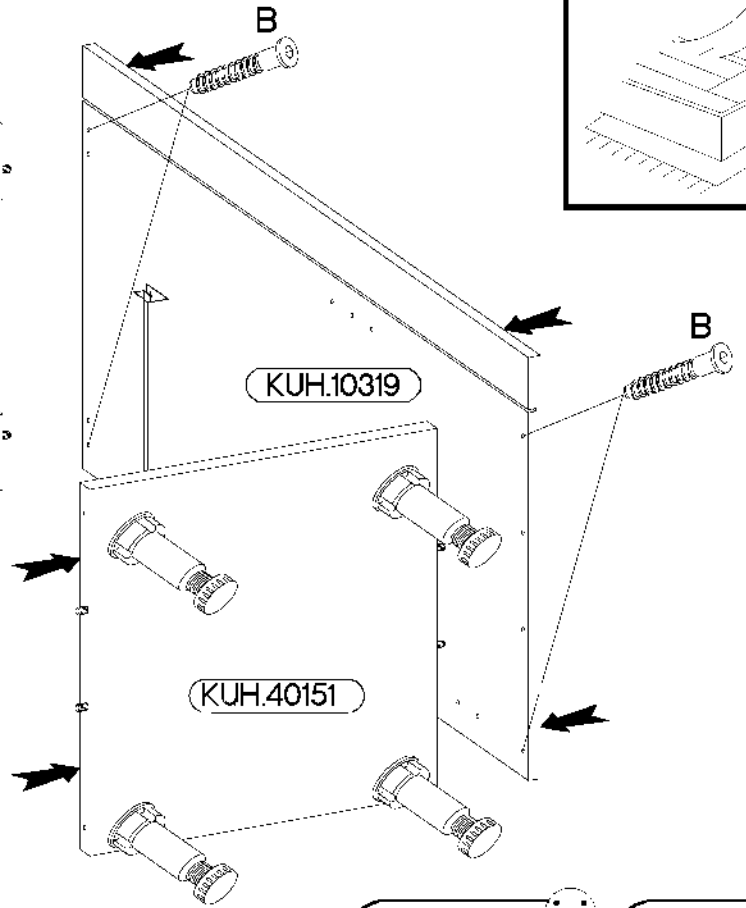
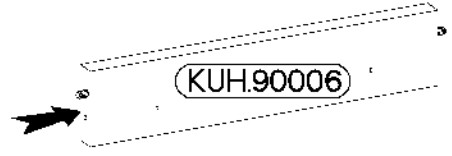
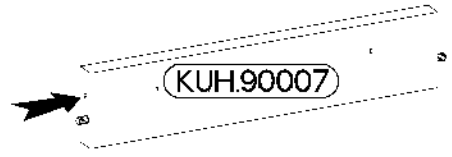
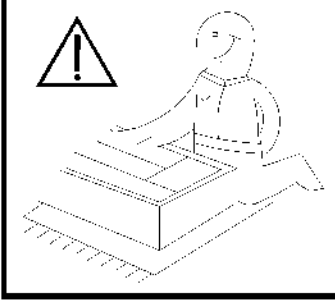
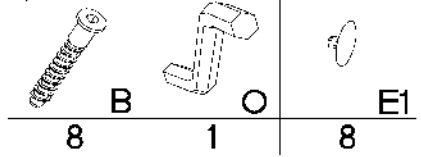
7

- 16 $\varnothing 3.5 \times 13 \text{mm}$ P5
- 4 F15
- 4 $\varnothing 8 \times 30 \text{mm}$ A





6,4 x 50mm

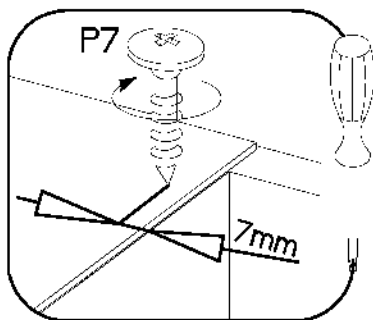
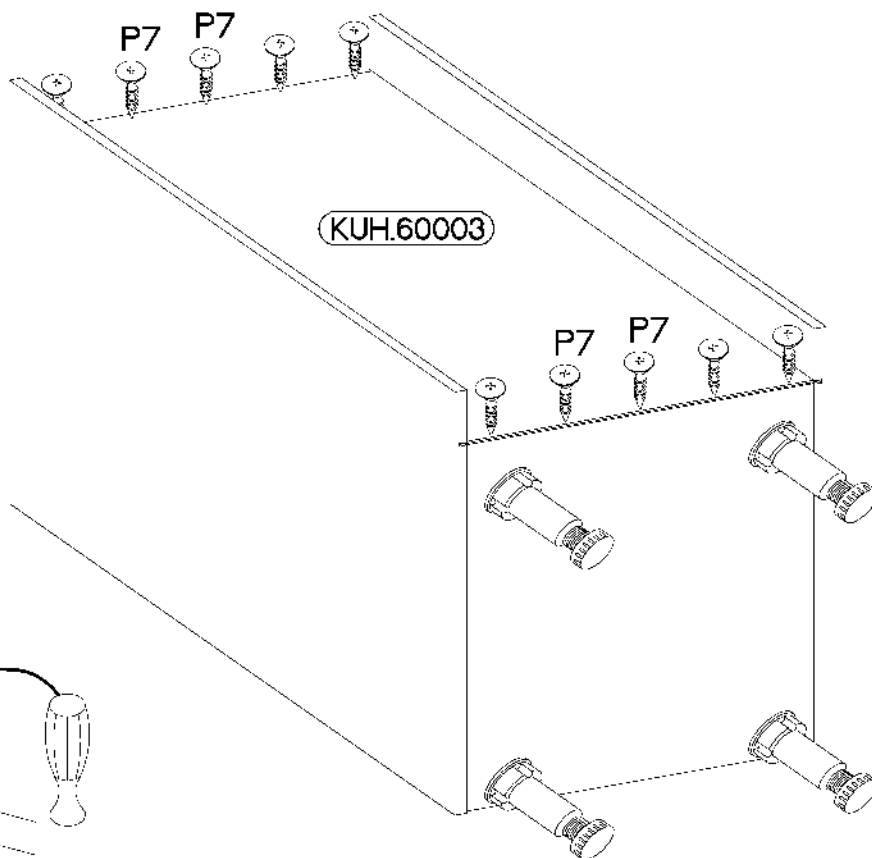
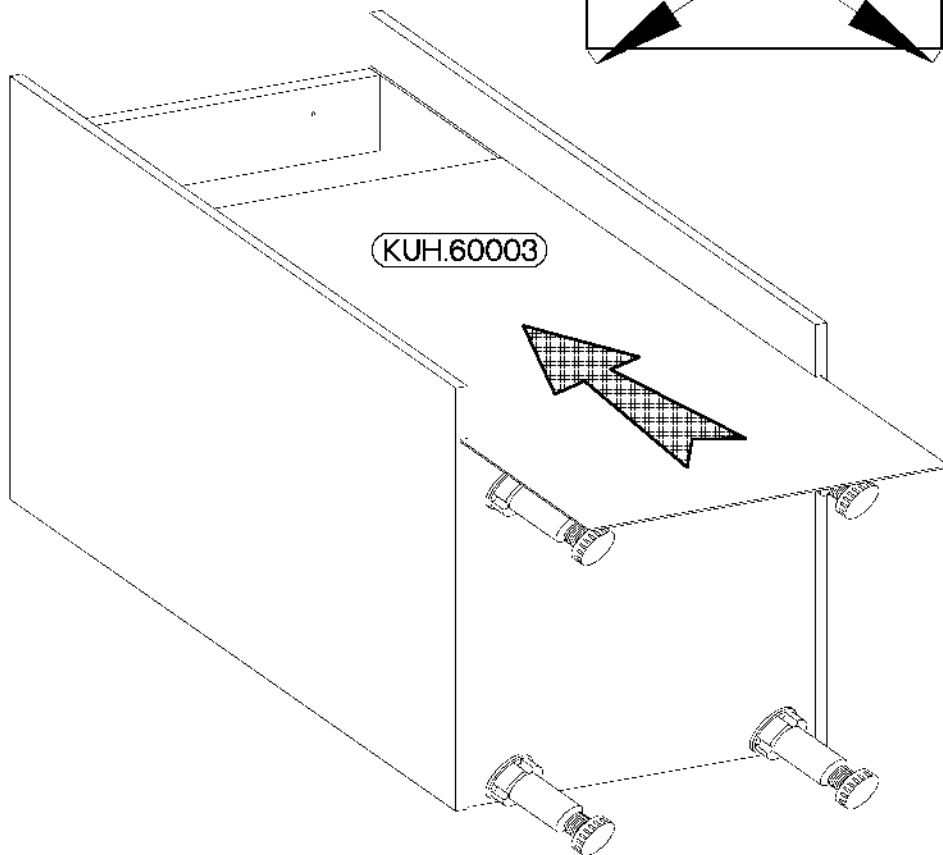
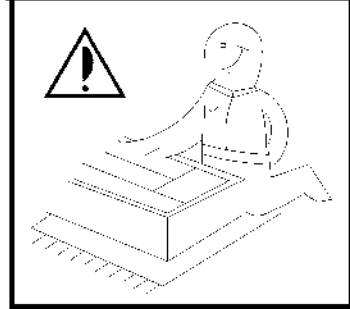
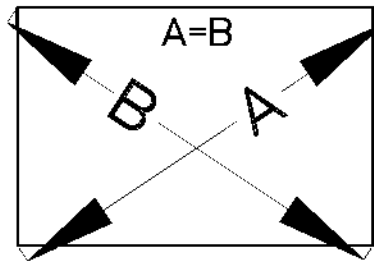


3.0x20mm



P7

8-10



1

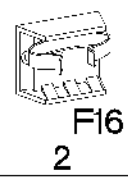
4.0x35mm 3.5x13mm



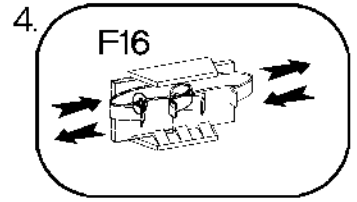
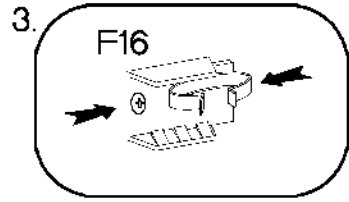
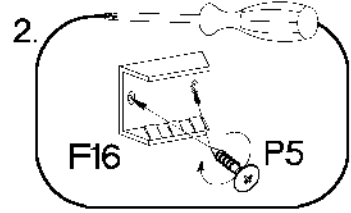
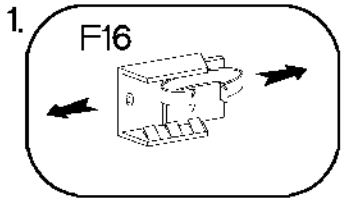
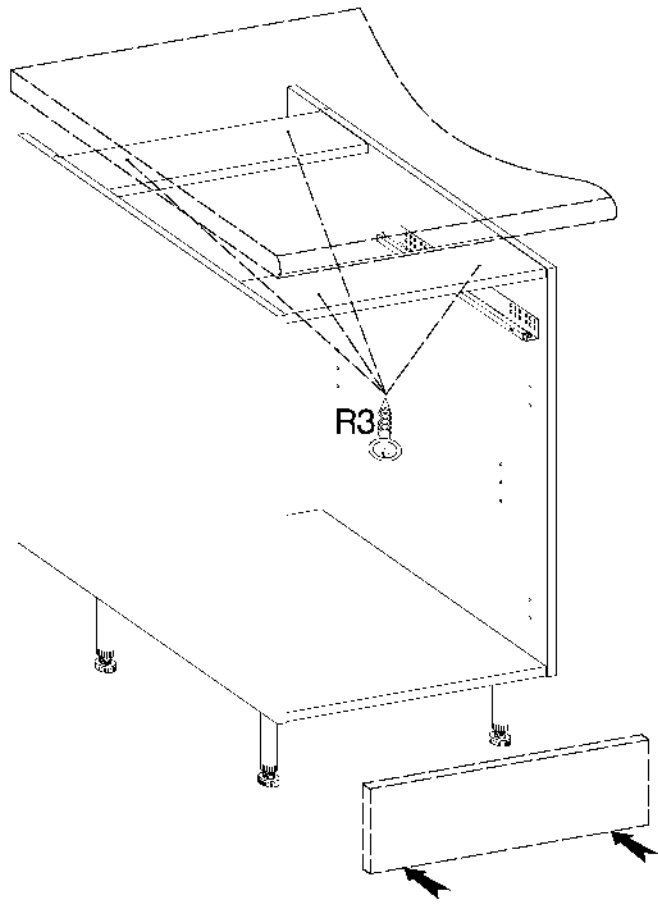
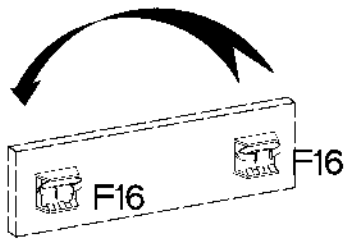
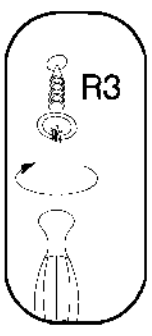
R3
4



P5
4



F16
2

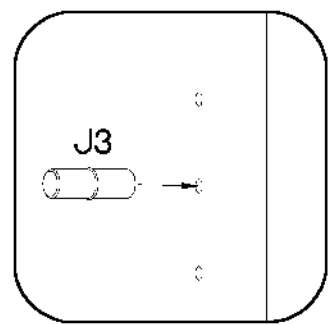
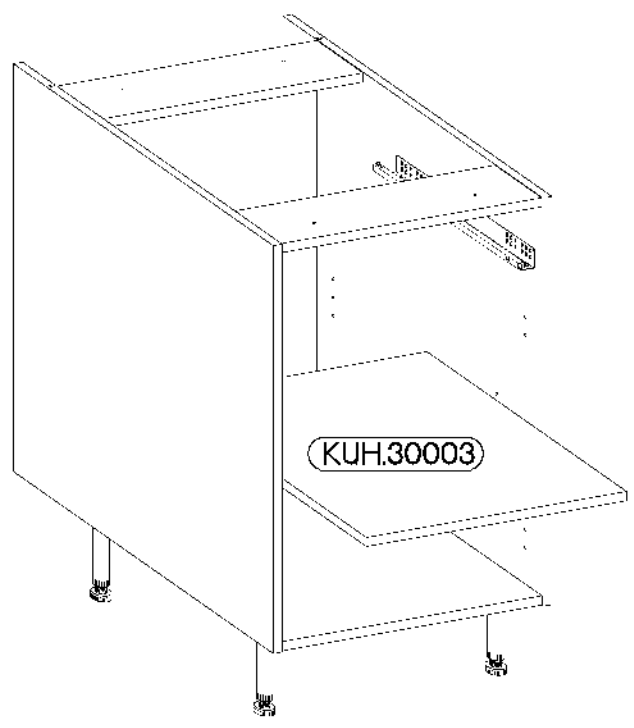


2

5/16mm

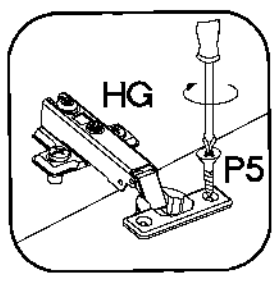
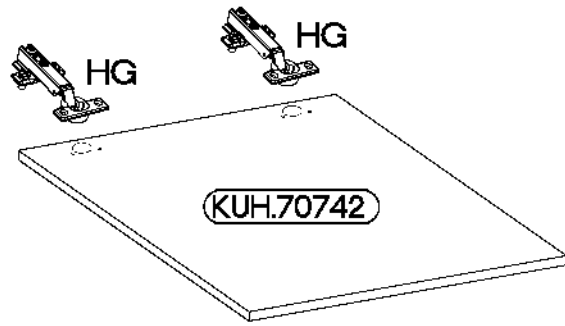


J3
4



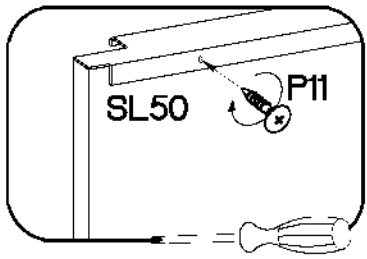
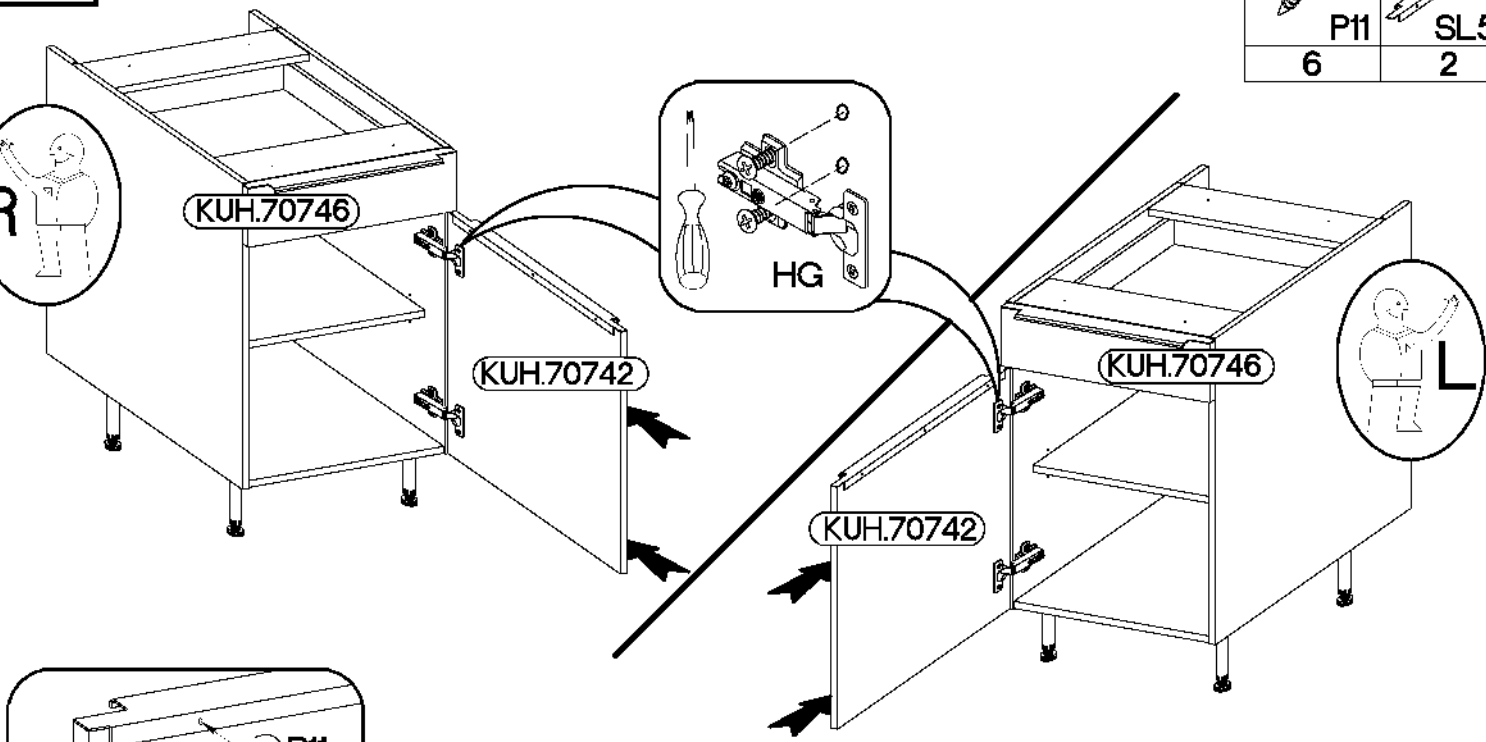
13

∅35/0mm HG 2	∅3.5x13mm P5 4
--------------------	----------------------

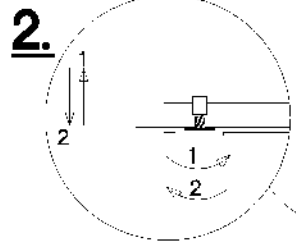
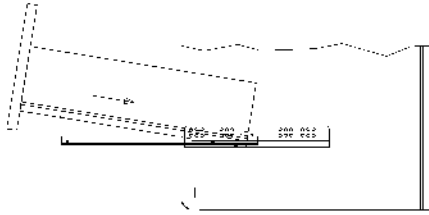


14

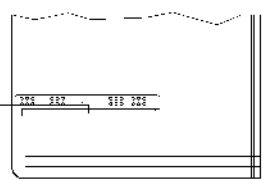
∅3.0x16mm P11 6	L=495mm SL50 2
-----------------------	----------------------



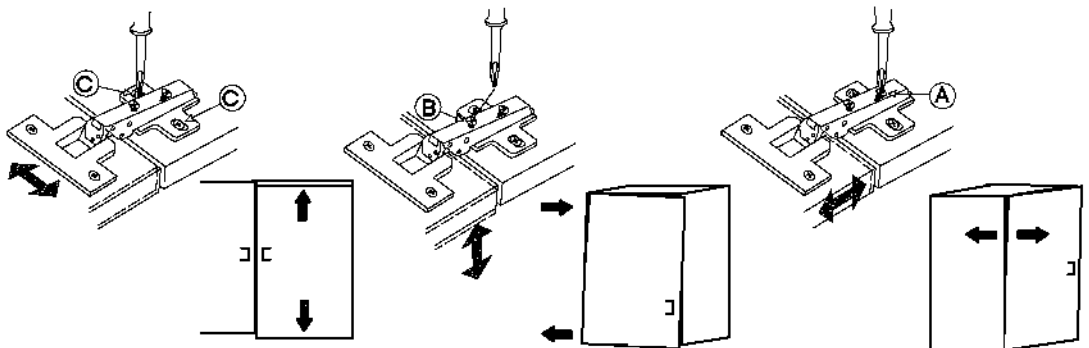
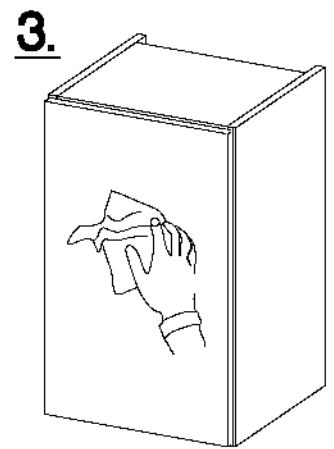
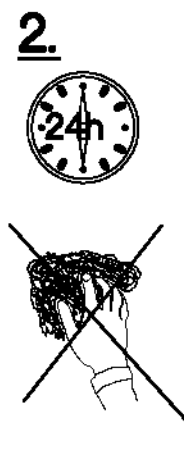
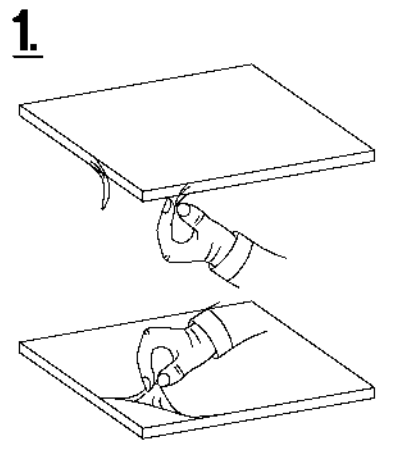
1.

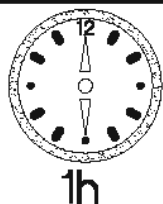
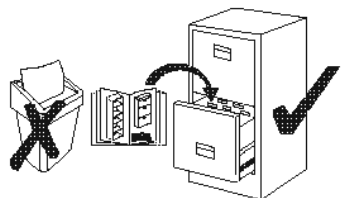
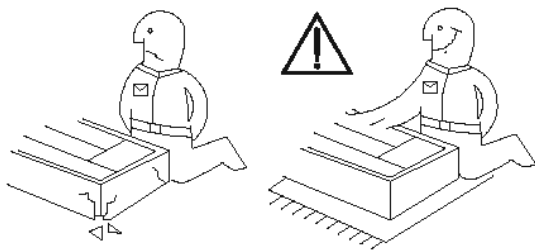
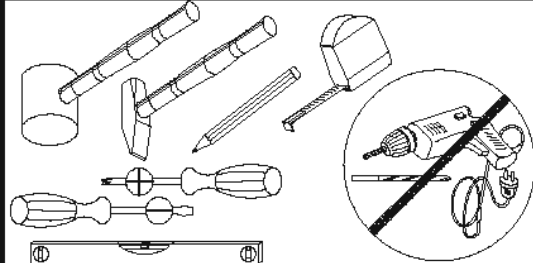
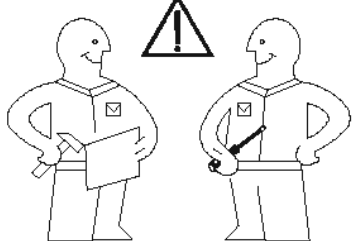


2.



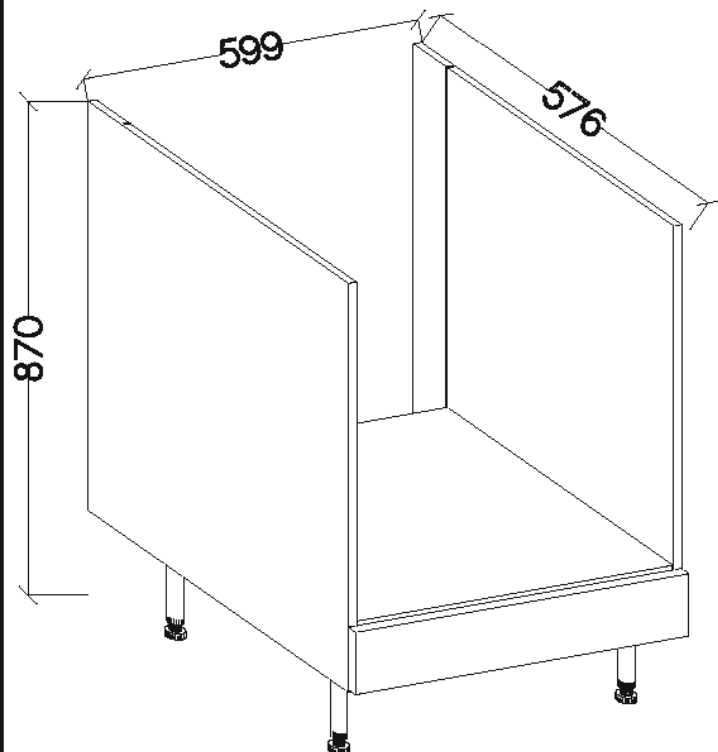
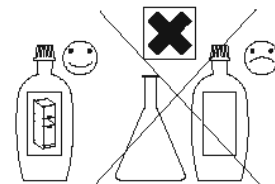
VARIANT HIGH GLOSS



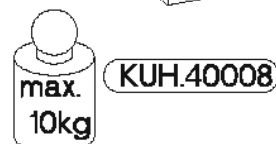
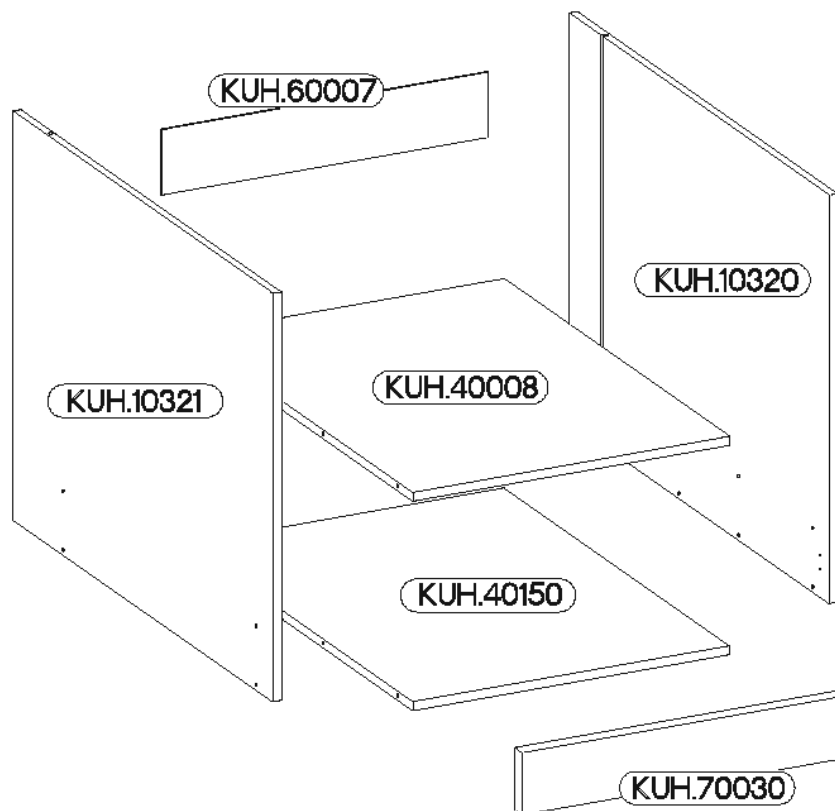


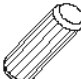

SAFADO / MARLEEN


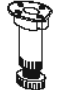





84-170-...
84-17B-...



respekta®



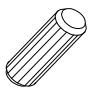
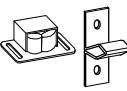

±8x30mm  A	6,4 x 50mm  B
8	8

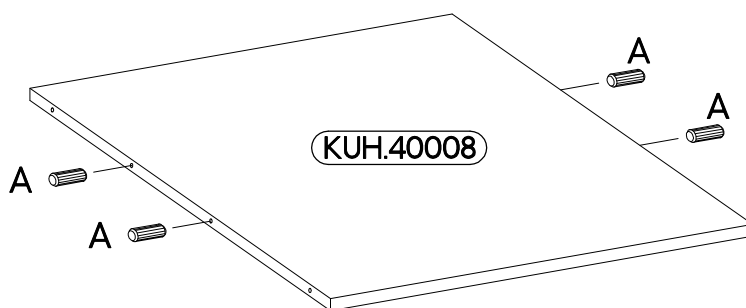
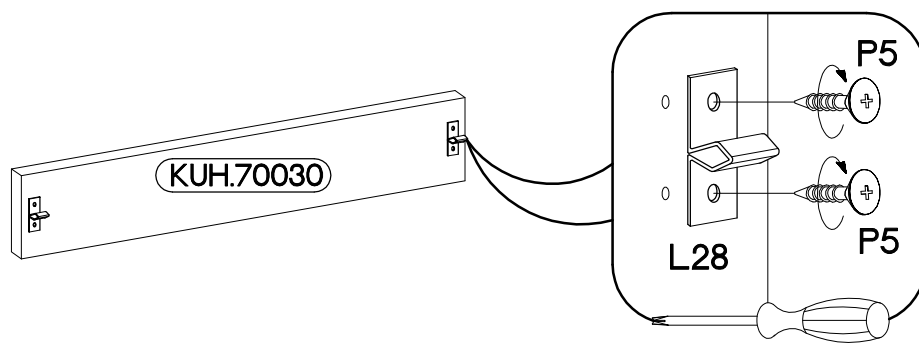
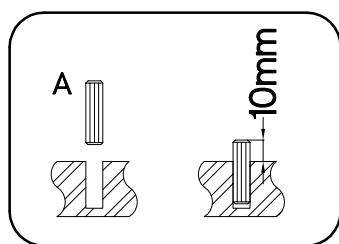
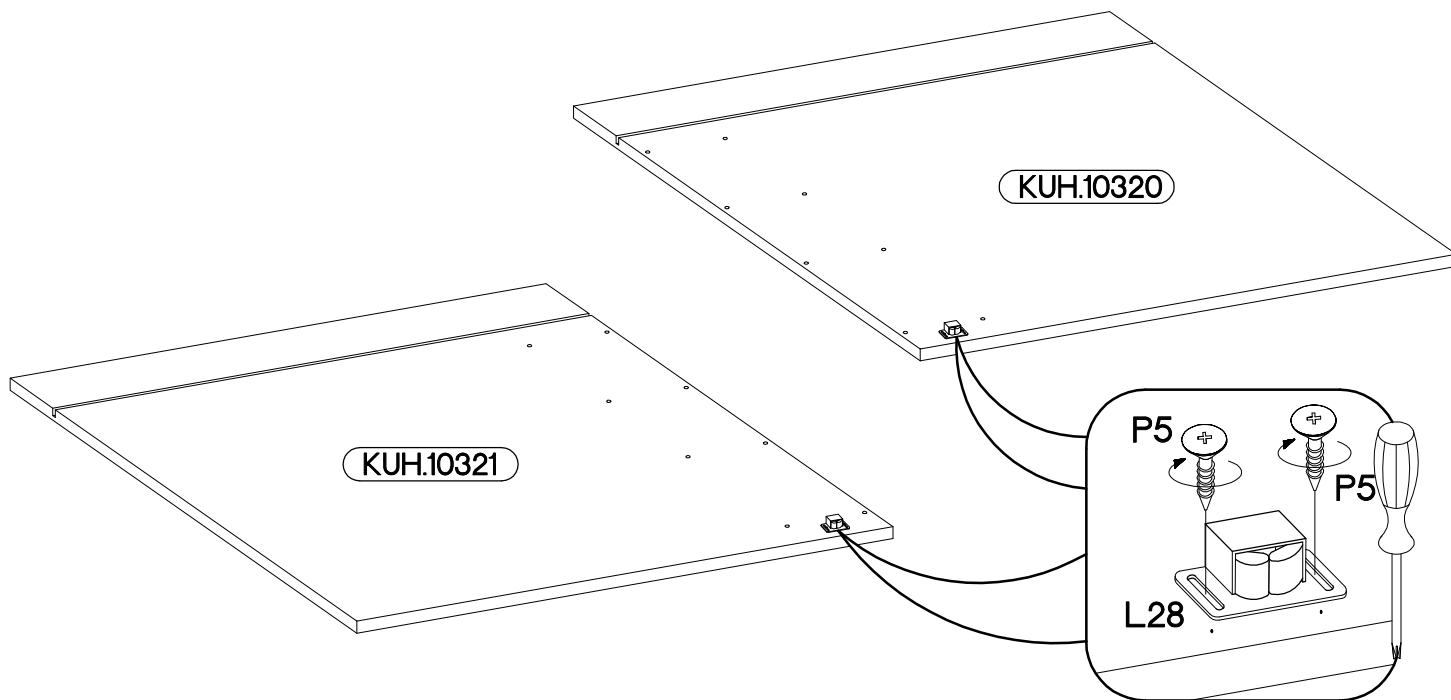
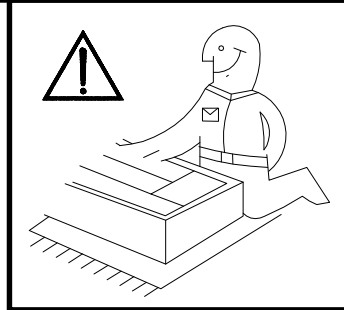
 E1	 F15	 F16	 L28	 O	±3.5x13mm  P5	±3.0x20mm  P7
8	4	2	2	1	28	8-10

Colli	Spare Part	Dimension
Colli 2/6	KUH.10320	720x560x16
	KUH.10321	720x560x16
	KUH.40008	567x485x16
	KUH.40150	567x485x16
	KUH.60007	585x115x2,5
	KUH.70030	596x110x16

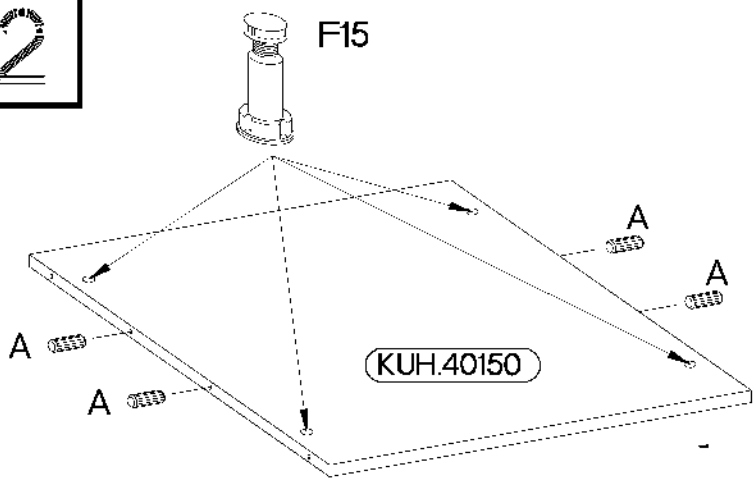
ISM-KUH-01601

1

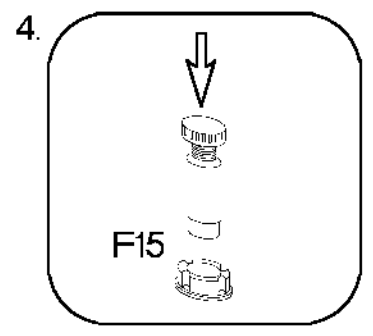
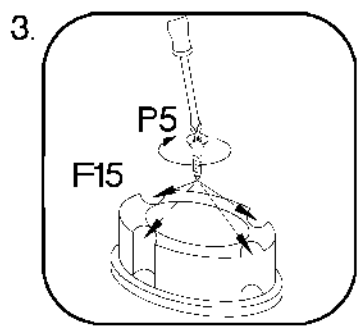
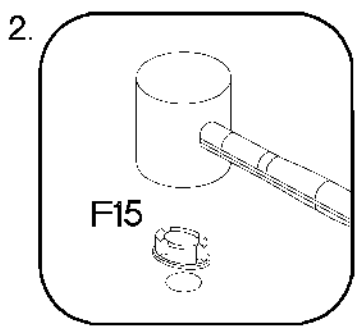
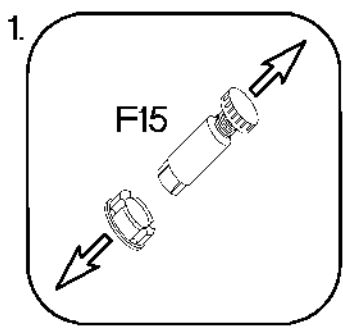
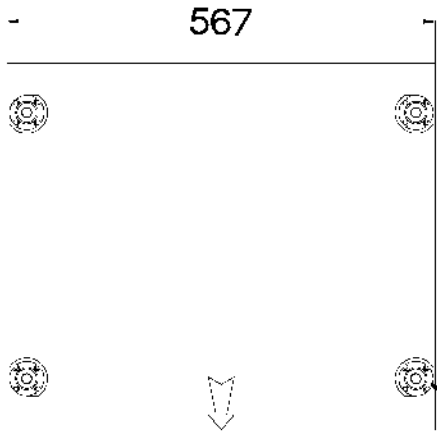
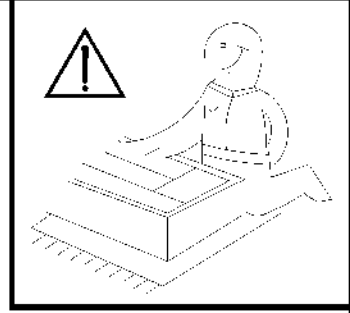
$\varnothing 8 \times 30 \text{mm}$  A 4	 L28 2	$\varnothing 3.5 \times 13 \text{mm}$  P5 8
---	--	--



2

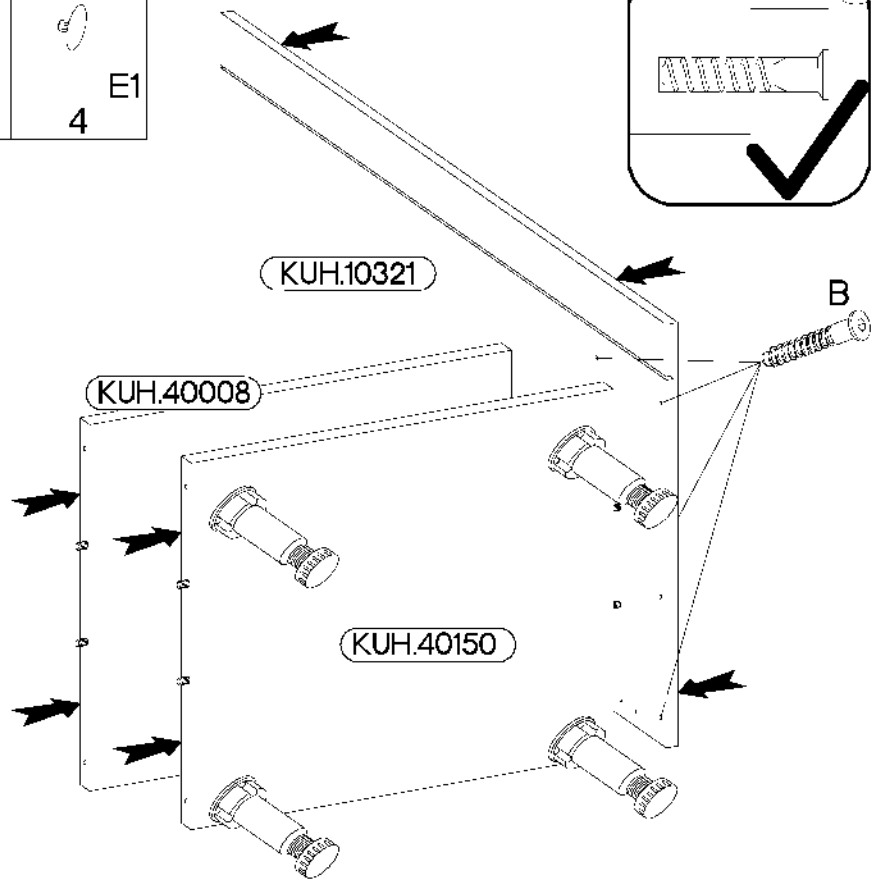
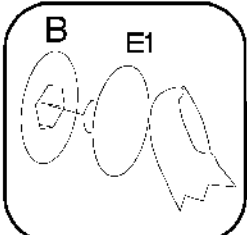
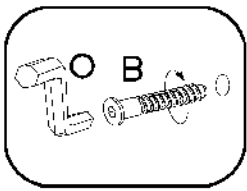
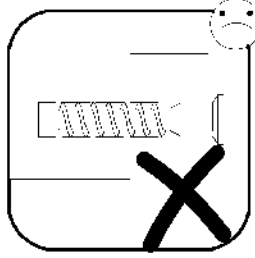
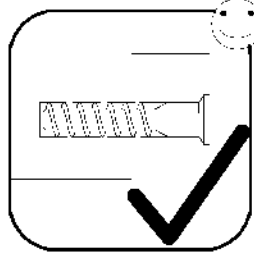


F15	P5	A
4	16	4



3

B	O	E1
4	1	4



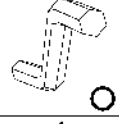
4

6,4 x 50mm



B

4



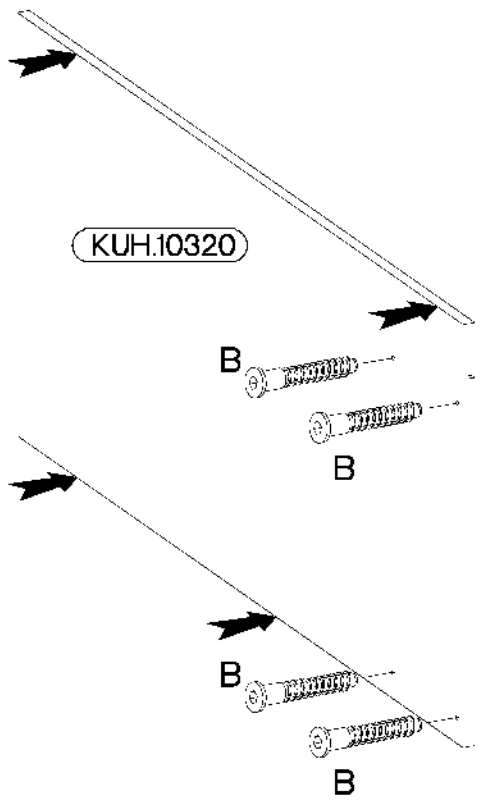
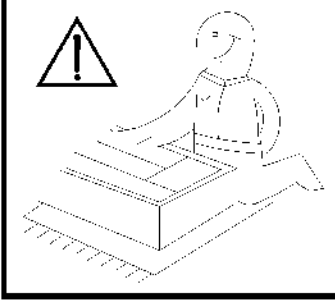
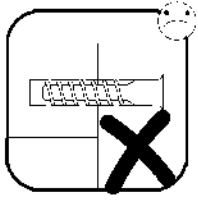
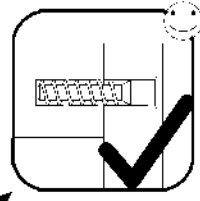
O

1



E1

4

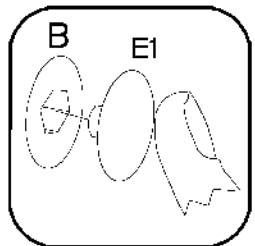
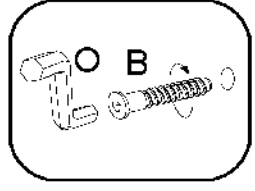


KUH.10321

KUH.10320

KUH.40008

KUH.40150



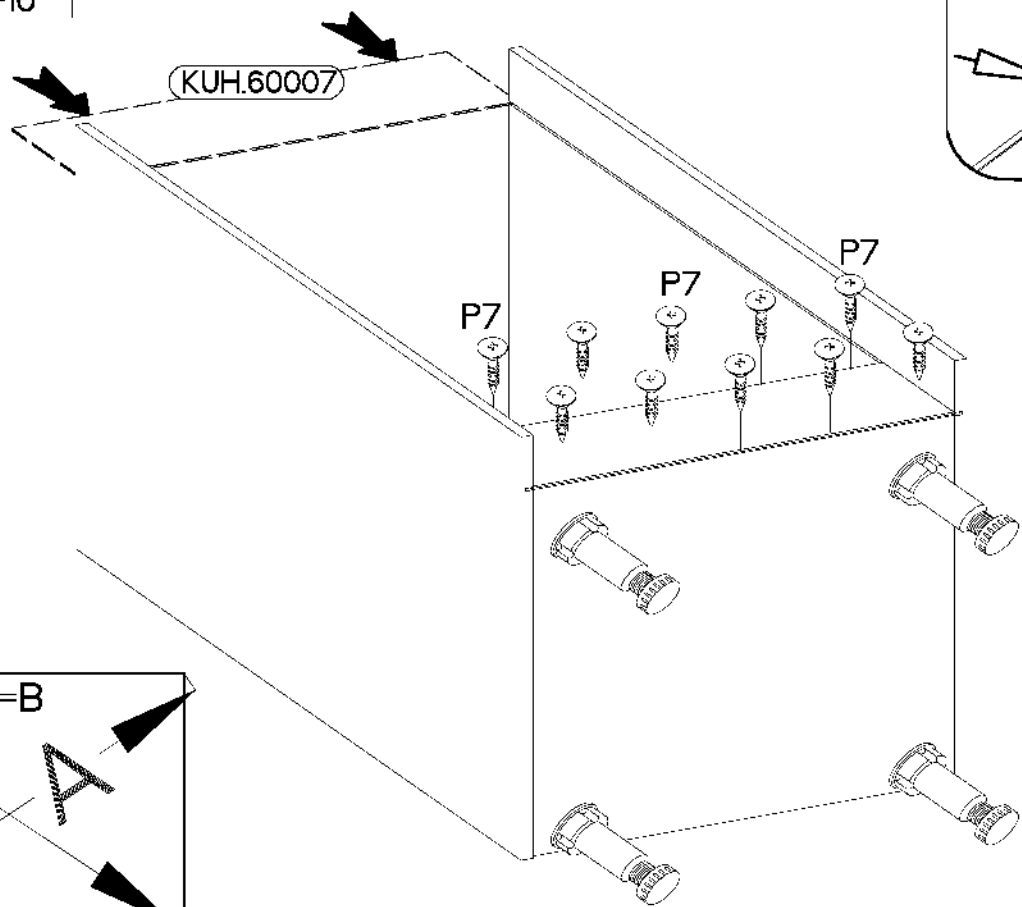
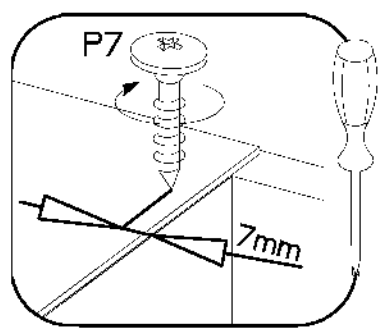
5

+3.0x20mm



P7

8-10

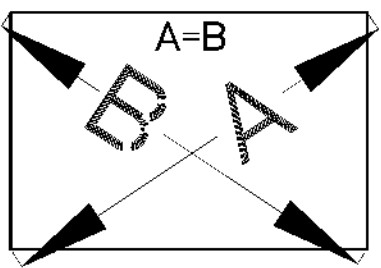


KUH.60007

P7

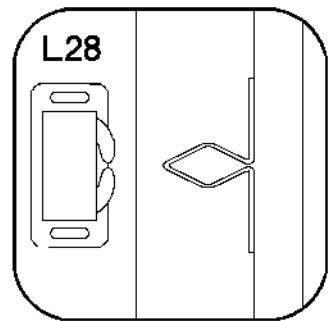
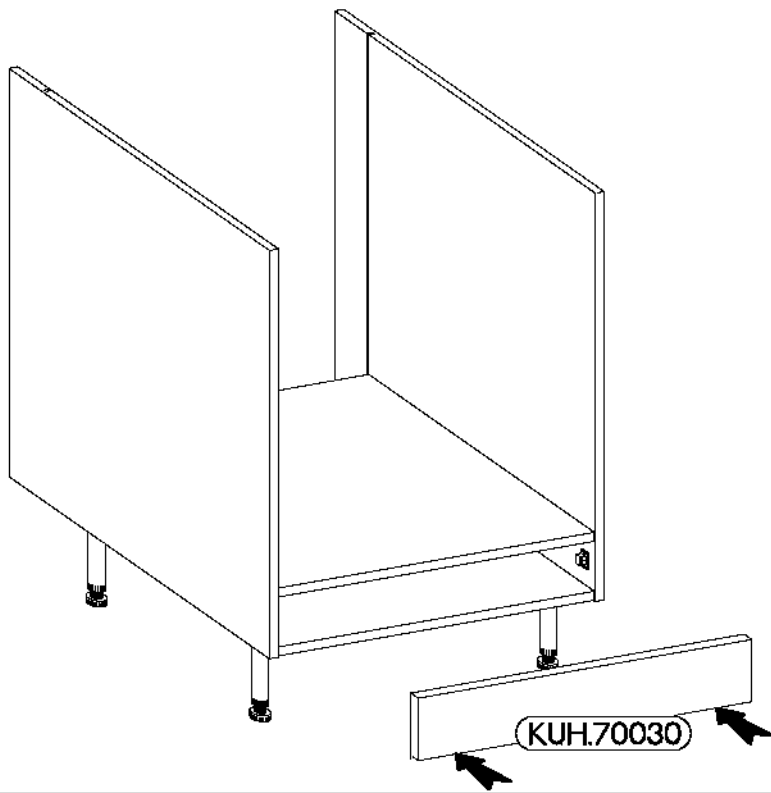
P7

P7



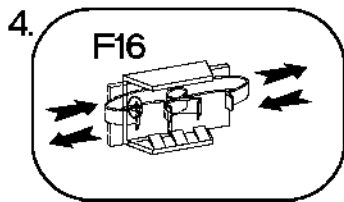
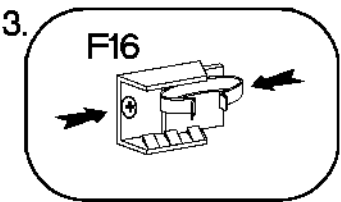
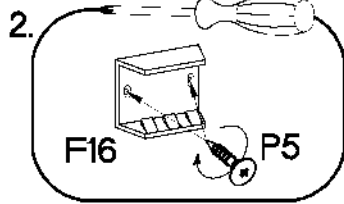
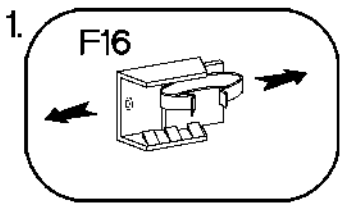
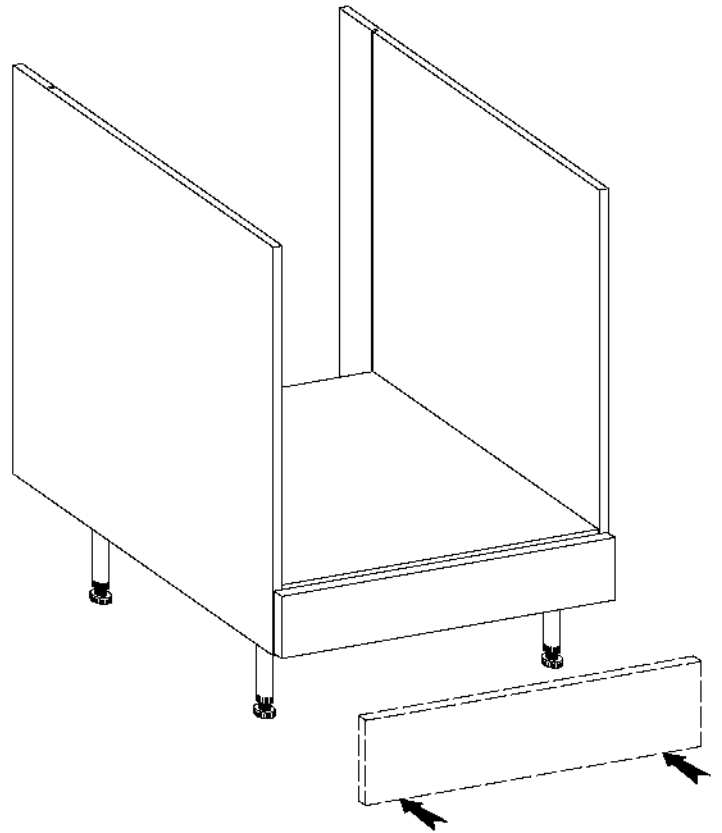
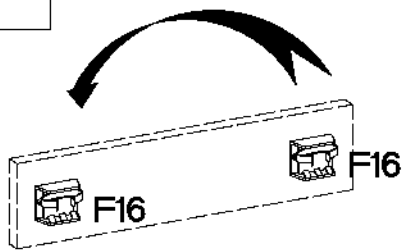
A=B

6

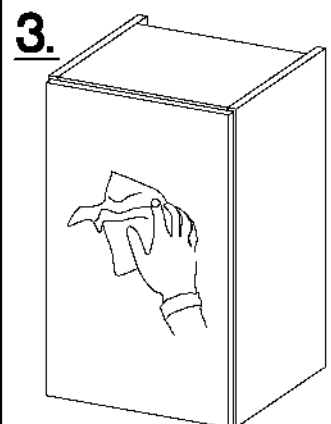
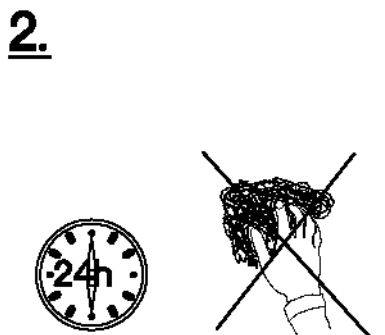
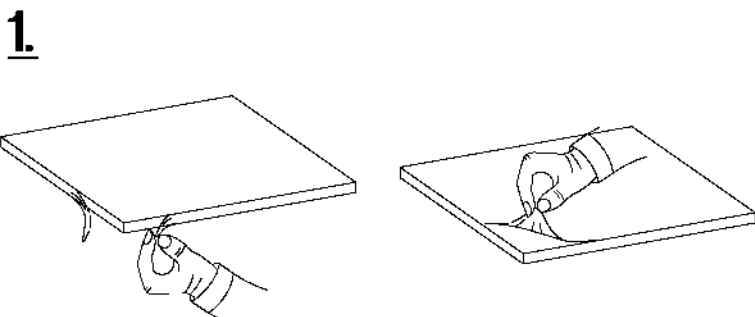


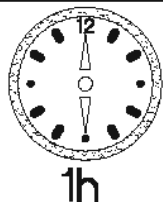
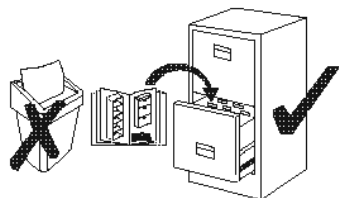
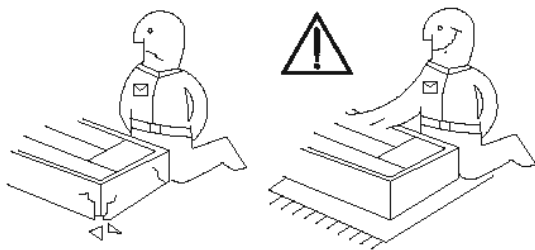
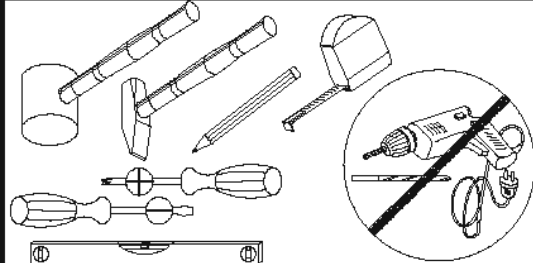
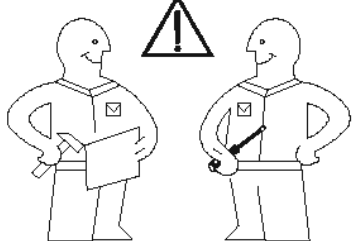
7

 P5 4	 F16 2
-------------	--------------



VARIANT HIGH GLOSS





SAFADO / MARLEEN

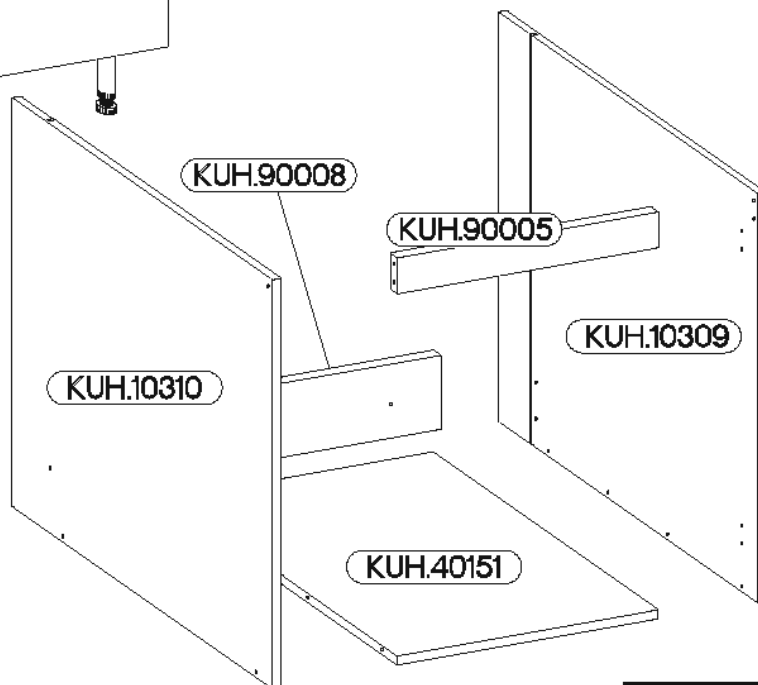
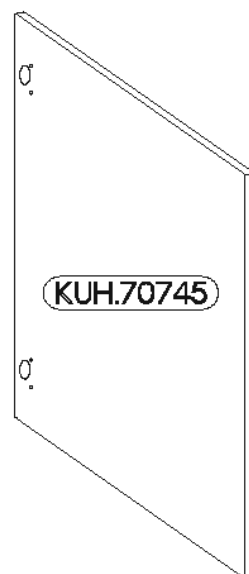
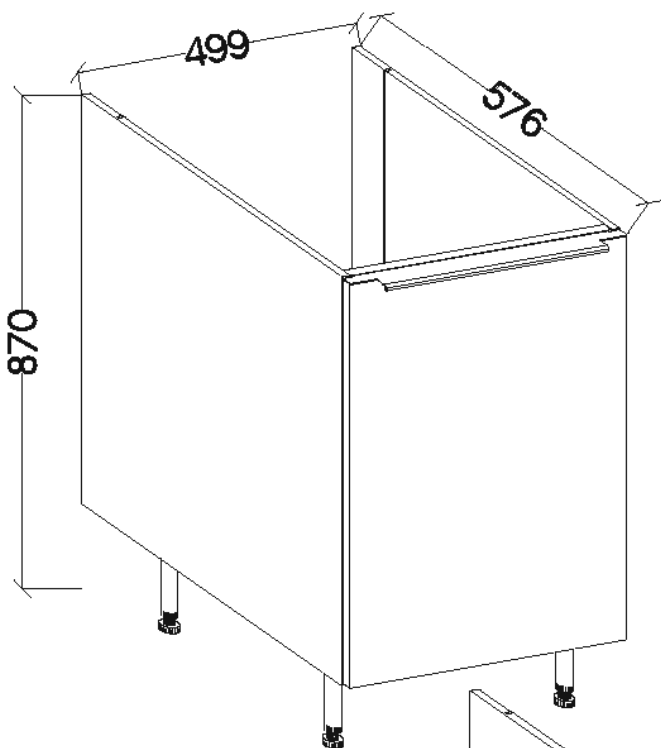
84-170-...
84-176-...
84-17C-...



respekta®



KUH.40151



±8x30mm A	6,4 x 50mm B	 E1	 L37	 L38			
8	8	8	2	2			
 F15	 F16	±35/0mm HG	 O	±3.5x13mm P5	±3.0x16mm P11	L=495mm SL50	 T10
4	2	2	1	32	17	1	2

Colli	Spare Part	Dimension
Colli 3/6	KUH.10309	720x560x16
	KUH.10310	720x560x16
	KUH.40151	467x485x16
	KUH.70745	711x496x16
	KUH.90005	467x63x16
	KUH.90008	467x130x16

ISM-KUH-01603

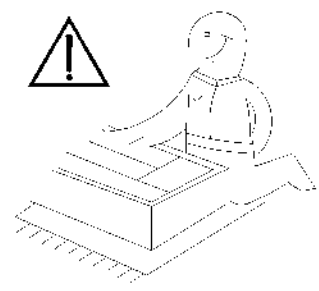
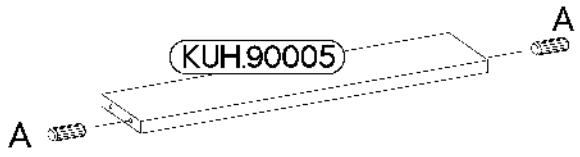
±8x30mm



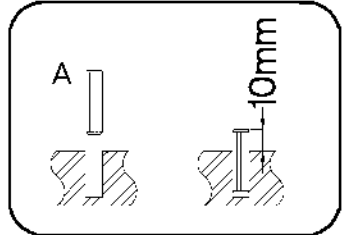
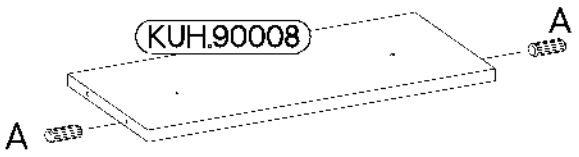
A

4

KUH.90005



KUH.90008



2

±8x30mm ±3.5x13mm



4



P5

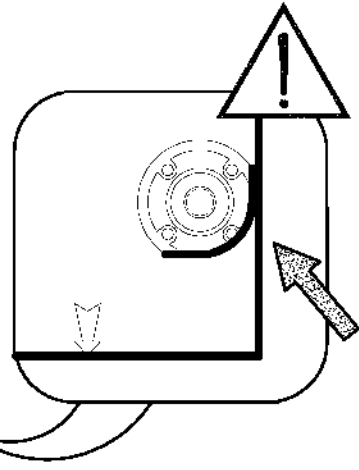
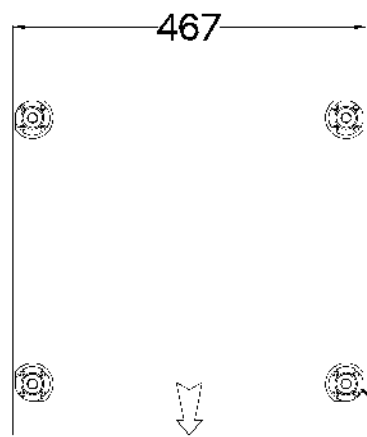
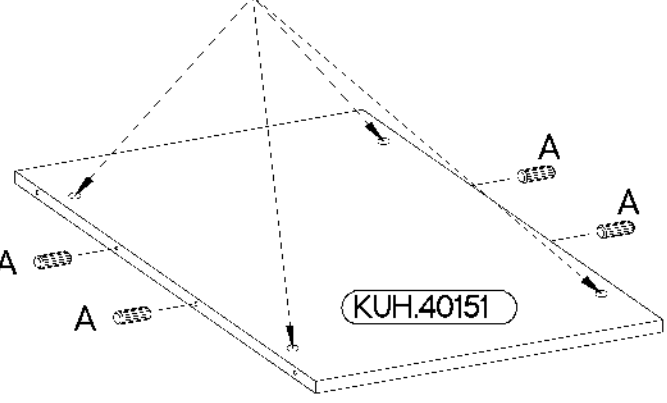
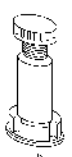
16



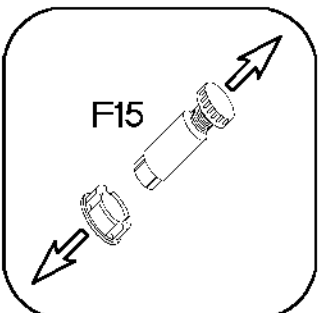
F15

4

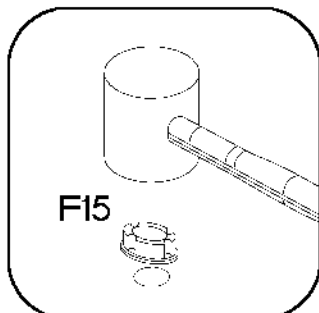
F15



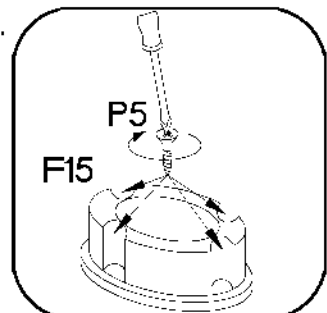
1.



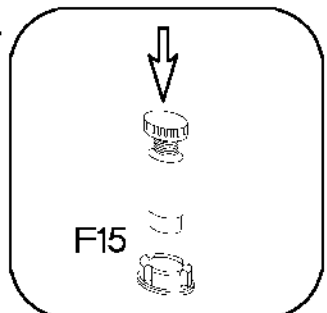
2.



3.



4.



3

±35/0mm ±3.5x13mm



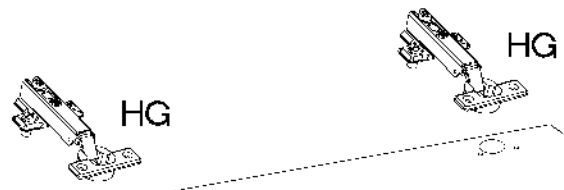
HG

2

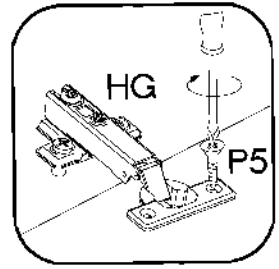


P5

4



KUH.70745

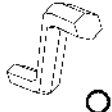


4

6,4 x 50mm



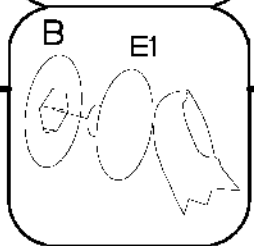
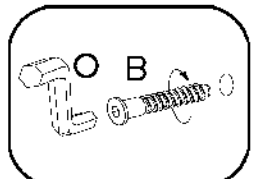
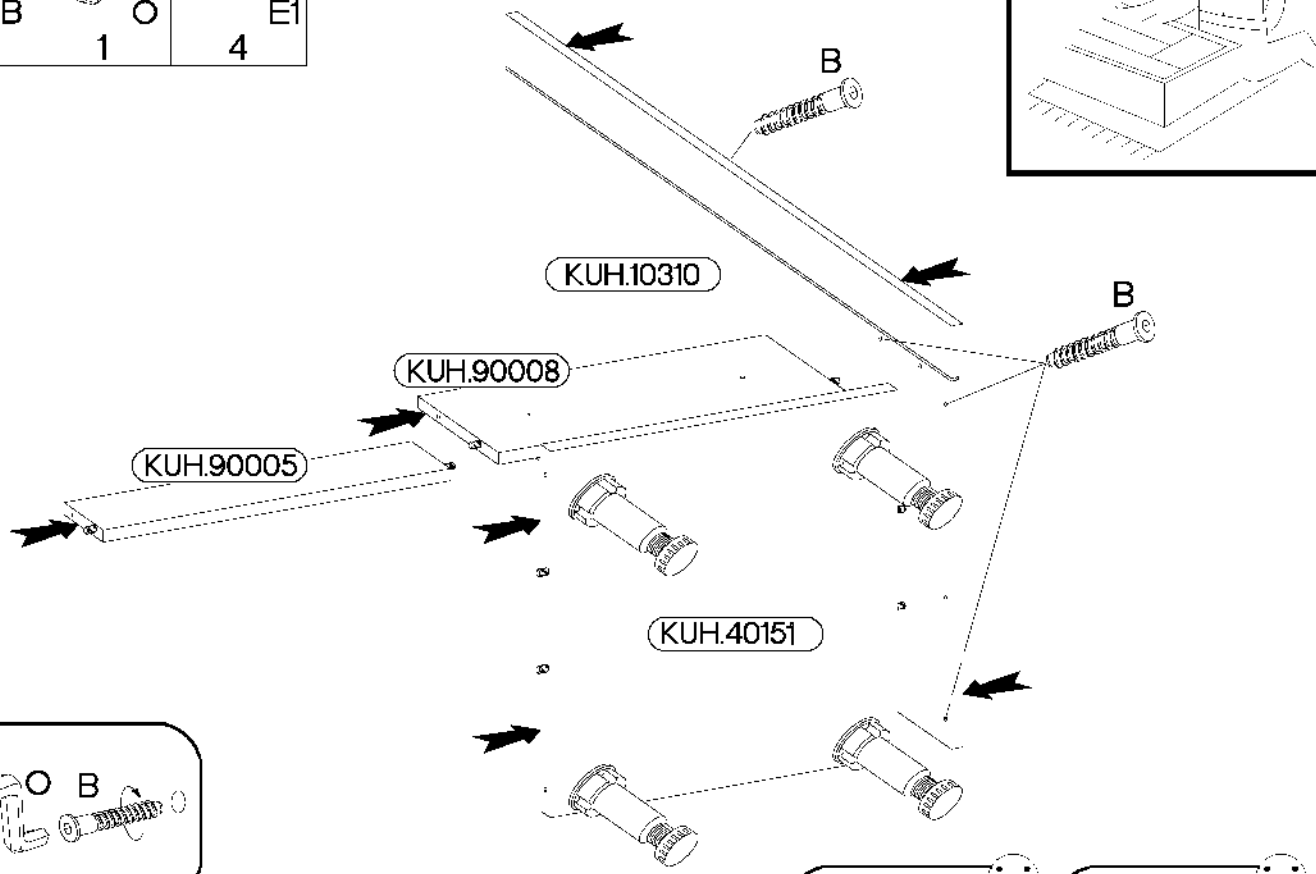
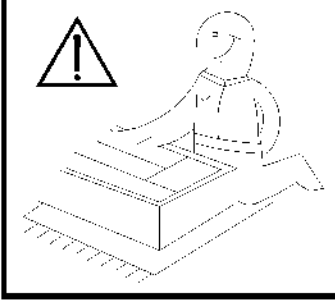
4



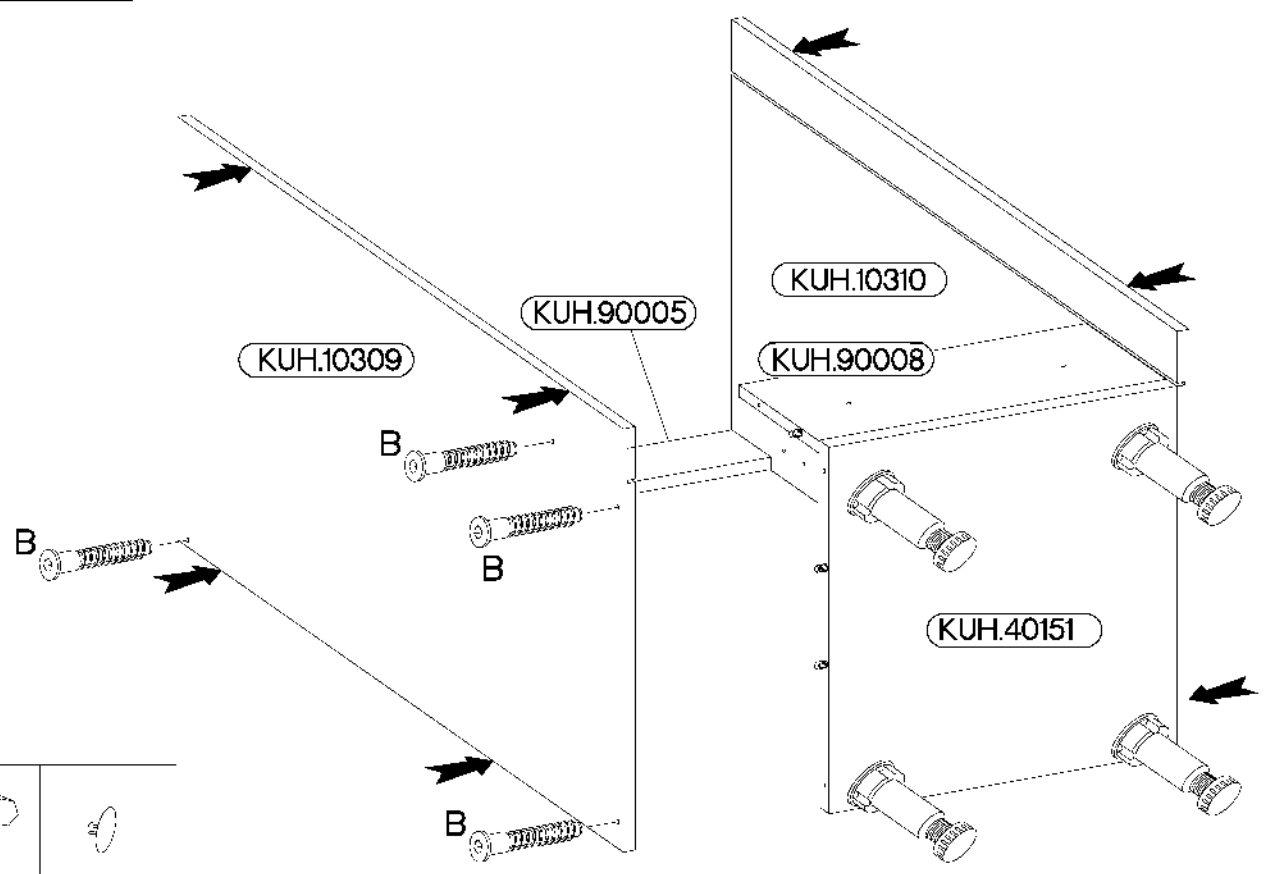
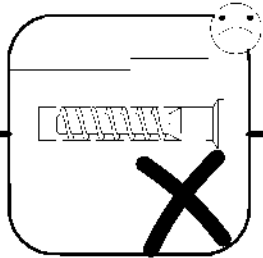
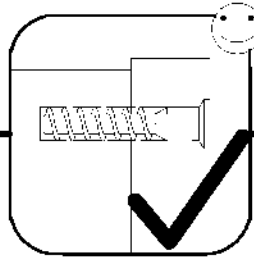
1



4



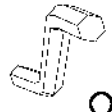
5



6,4 x 50mm



4



1



4

6

+3.5x13mm



P5

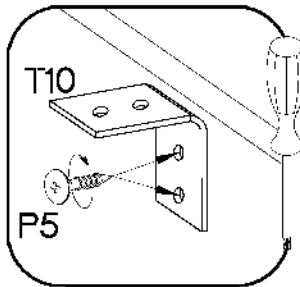
8



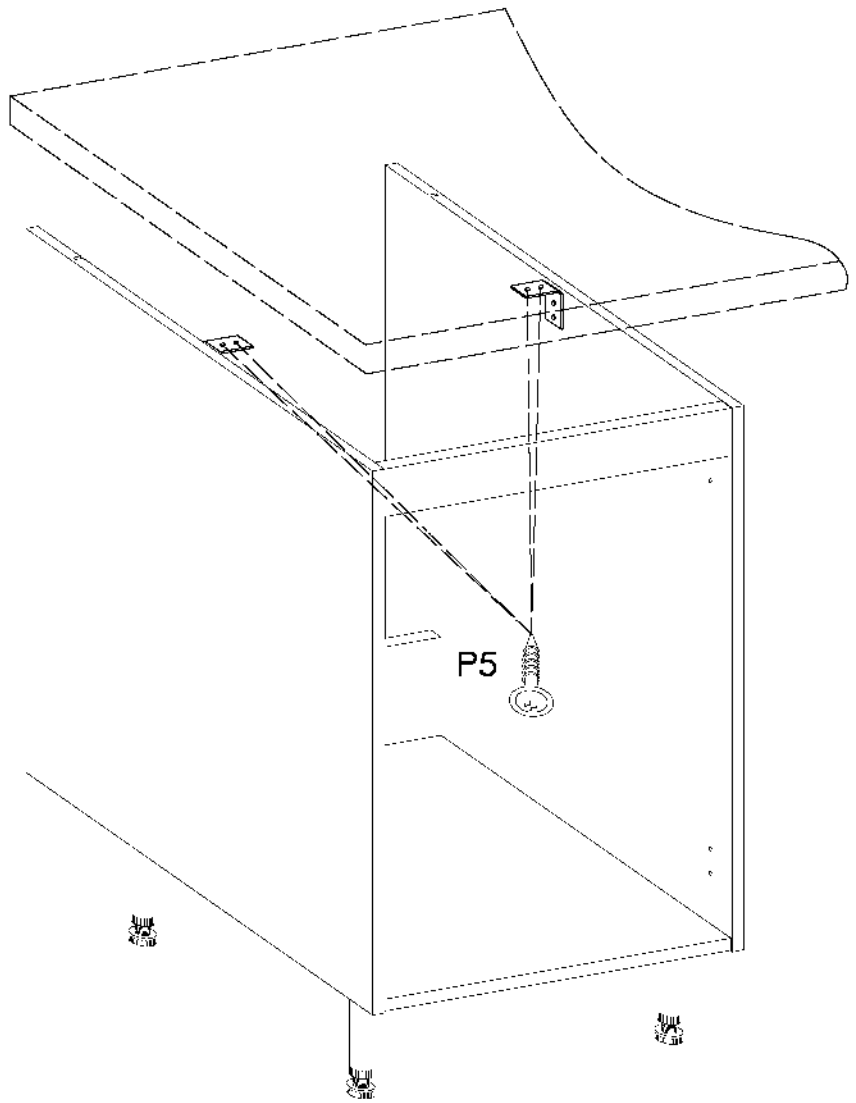
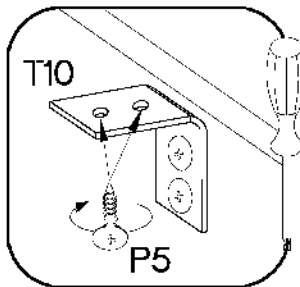
T10

2

1.



2.

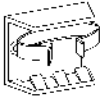
**7**

+3.5x13mm



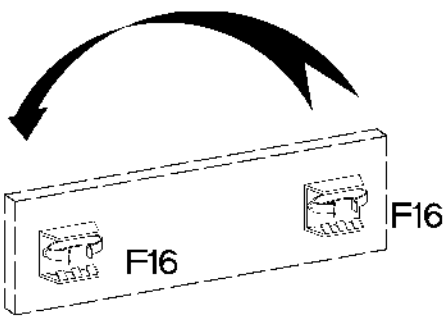
P5

4

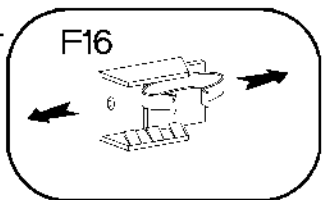


F16

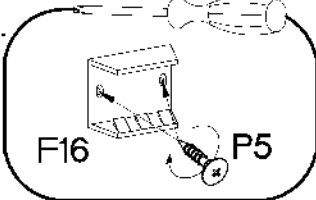
2



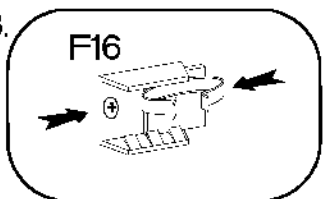
1.



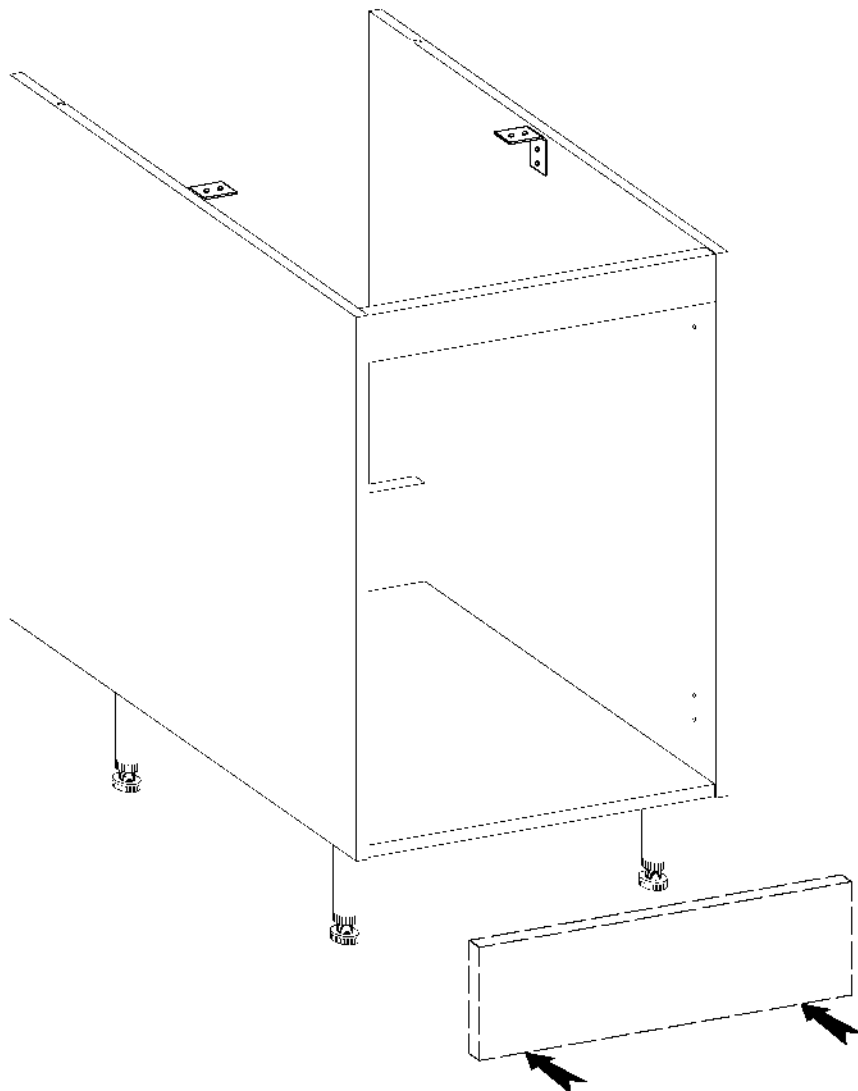
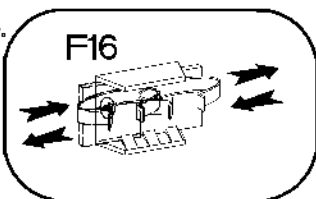
2.





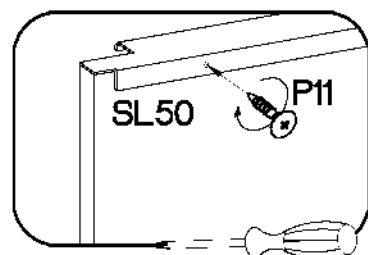
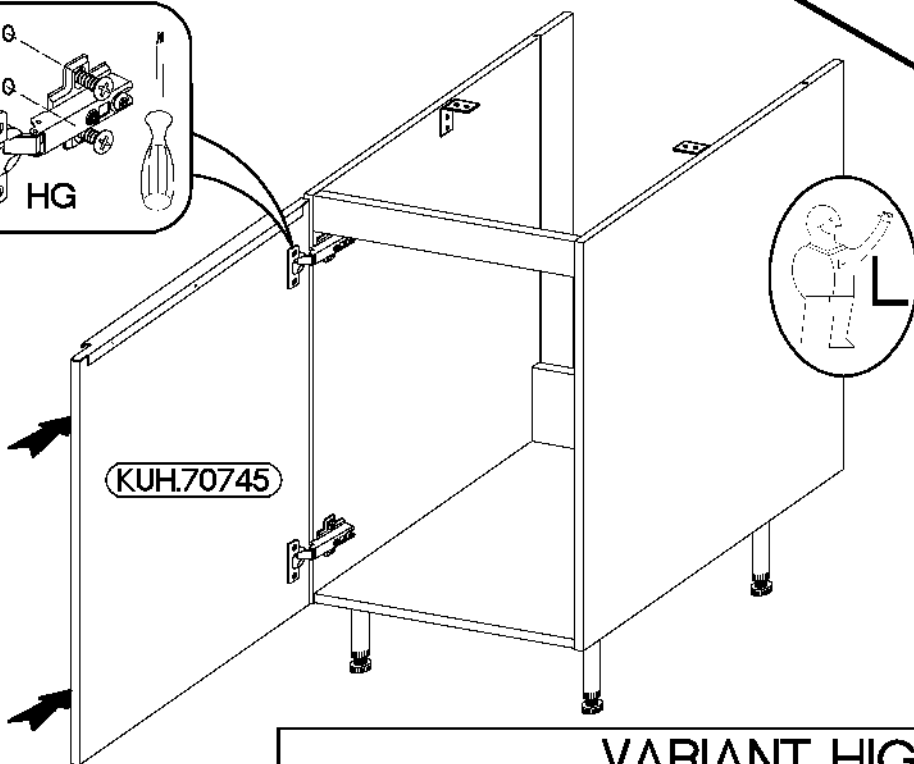
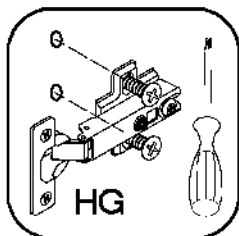
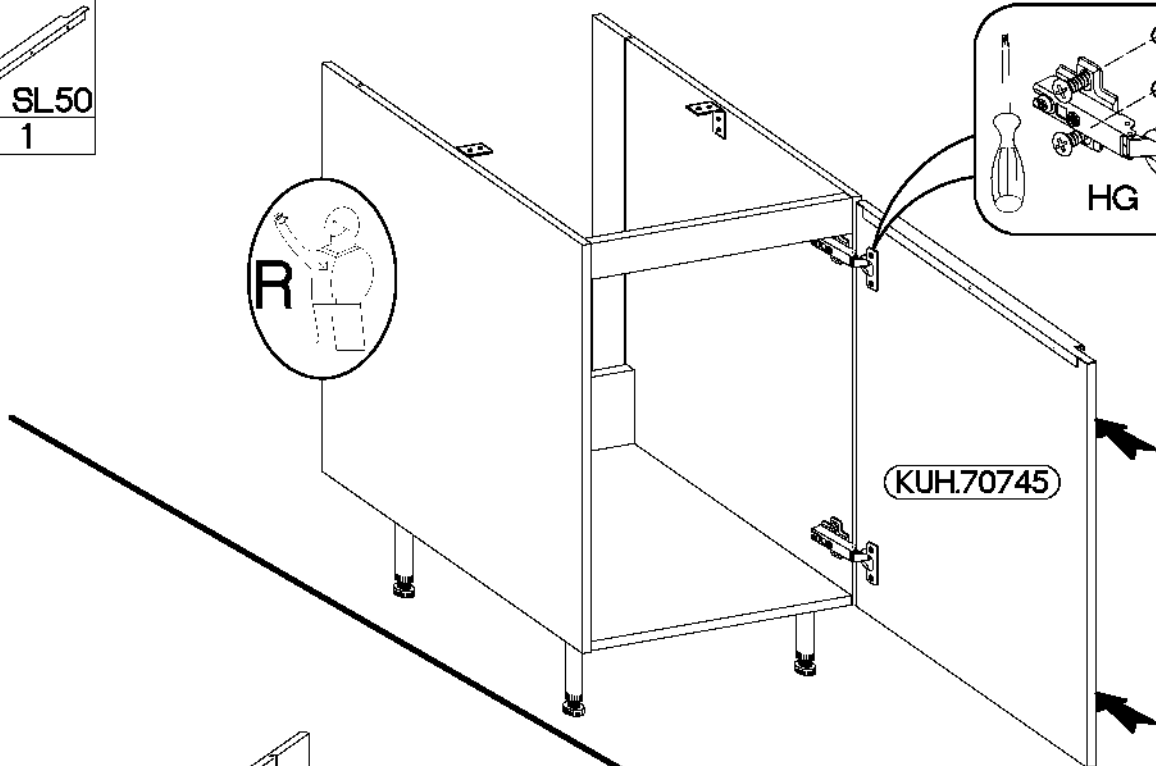
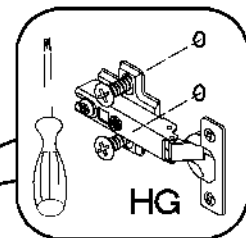
3.



4.

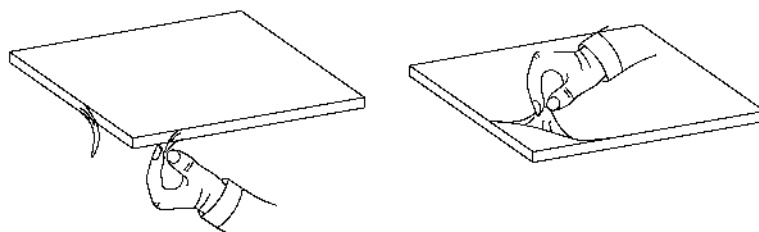


∅3.0x16mm	L=495mm
	
P11	SL50
3	1



VARIANT HIGH GLOSS

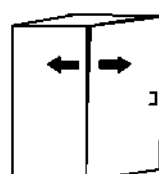
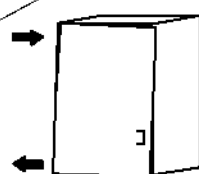
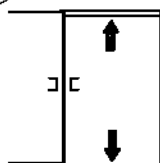
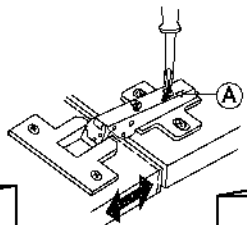
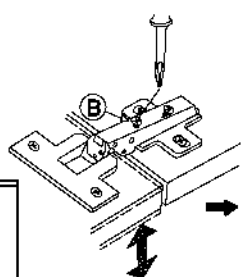
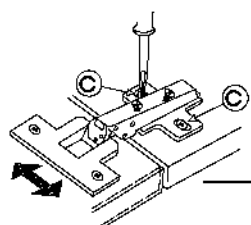
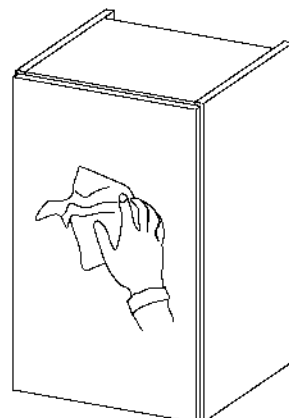
1.

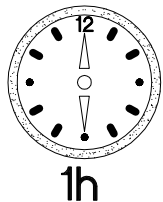
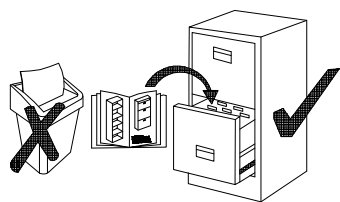
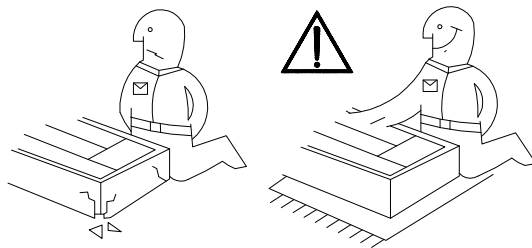
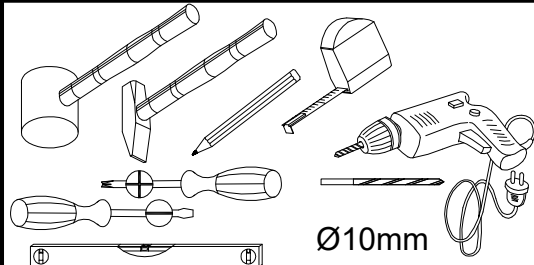
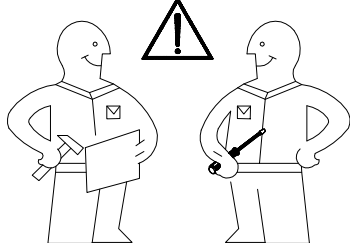


2.



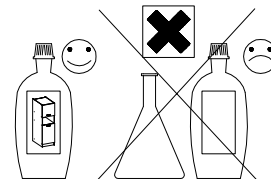
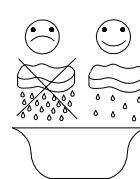
3.



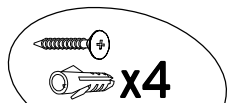
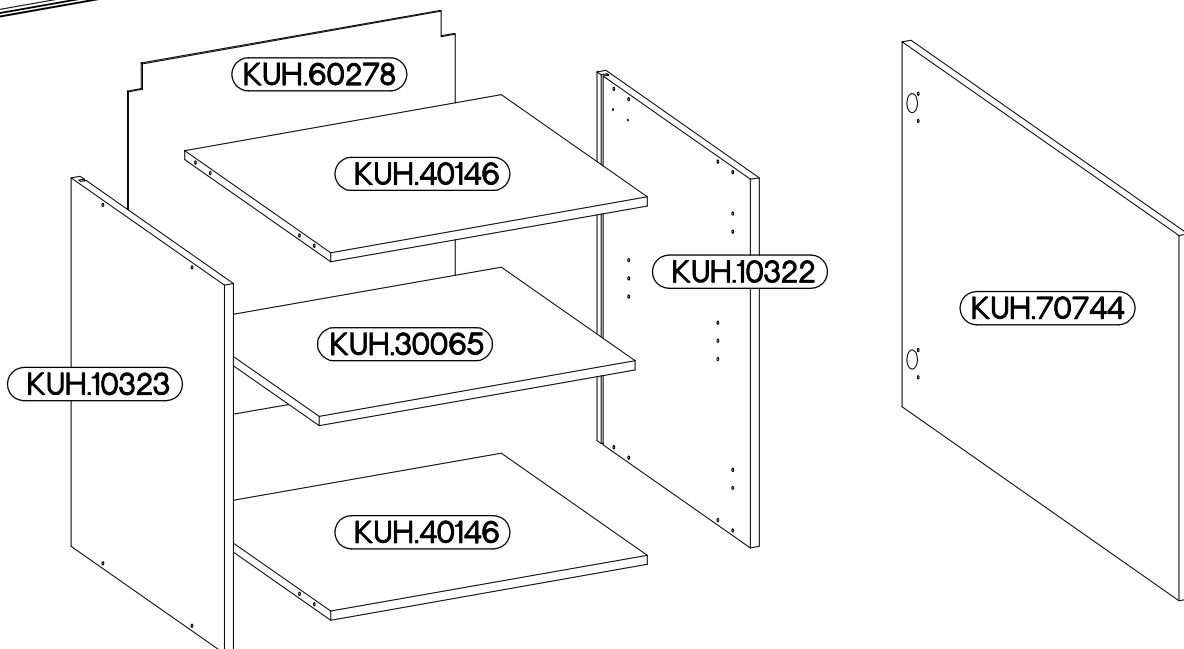
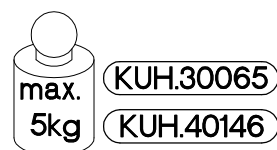
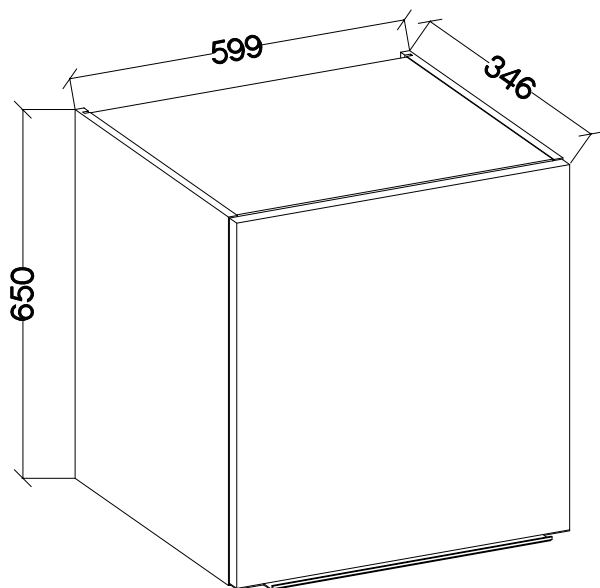


SAFADO / MARLEEN

84-170-...
84-176-...
84-17E-...



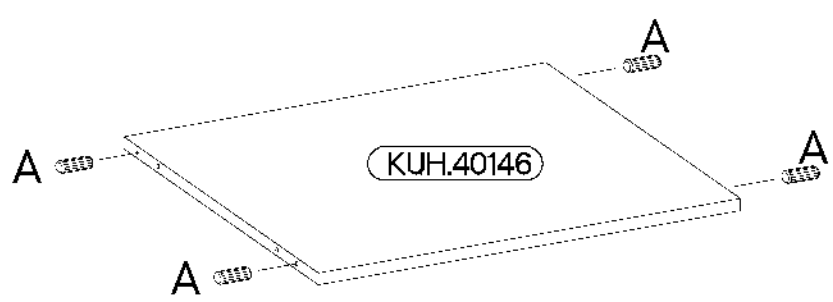
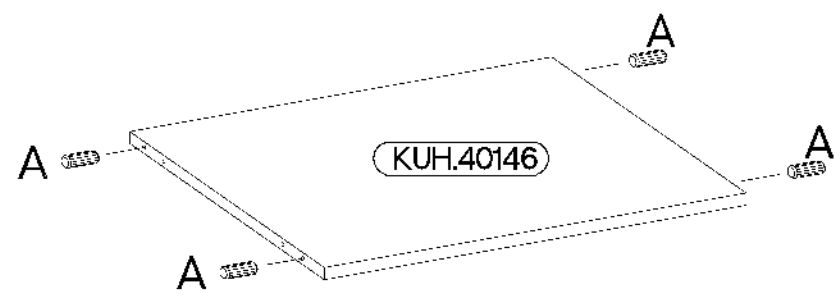
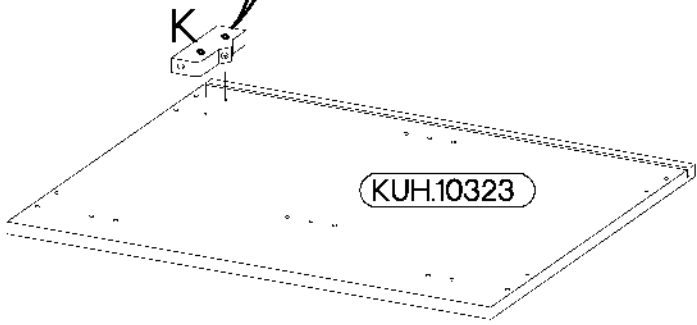
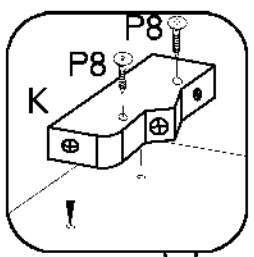
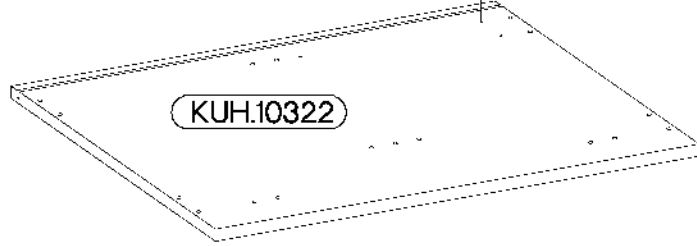
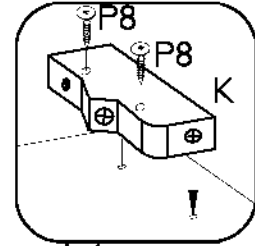
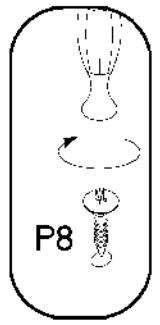
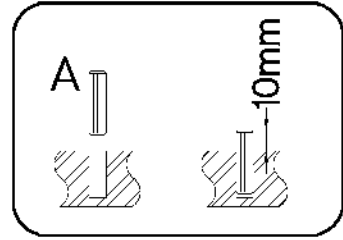
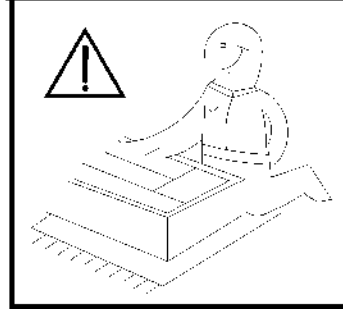
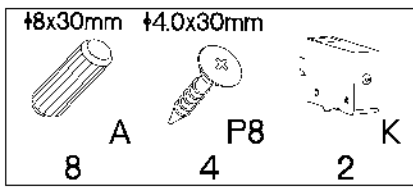
respekta®



†8x30mm A	6,4 x 50mm B	 E1	†35/0mm HG	†5/16mm J3	 K	 K16
8	8	8	2	4	2	2
 O	†3.5x13mm P5	†3.0x20mm P7	†4.0x30mm P8	†3.0x16mm P11	†4.0x25mm R	L=595mm SL60
1	4	10-15	4	4	2	1

Colli	Spare Part	Dimension
Colli 5/6	KUH.10322	650x330x16
	KUH.10323	650x330x16
	KUH.30065	566x288x16
	KUH.40146 x2	567x314x16
	KUH.60278	646x585x2,5
	KUH.70744	644x596x16

ISM-KUH-01604



2

6,4 x 50mm



4

B



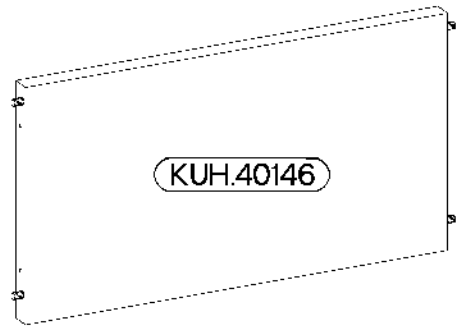
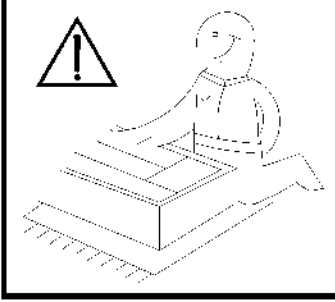
1

O

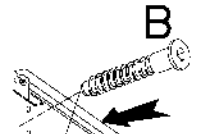


4

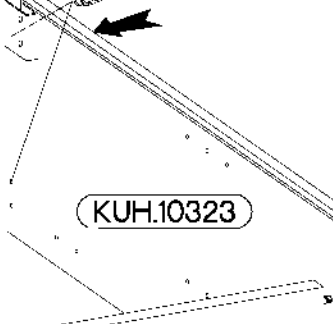
E1



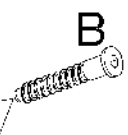
KUH.40146



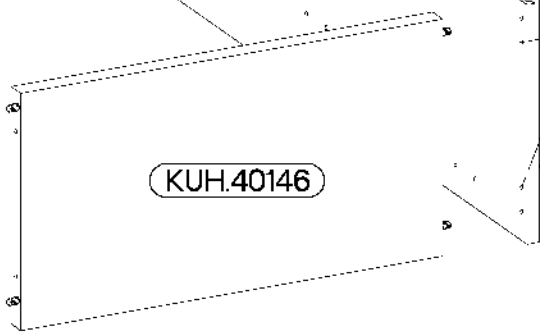
B



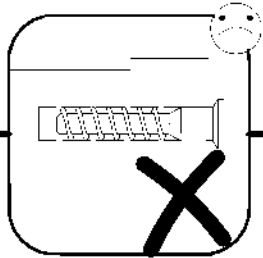
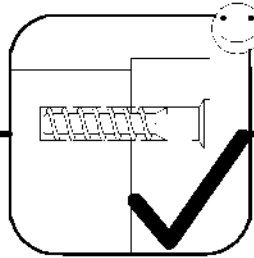
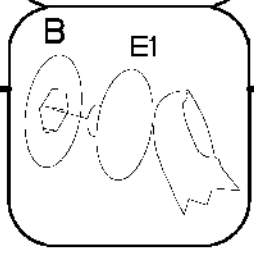
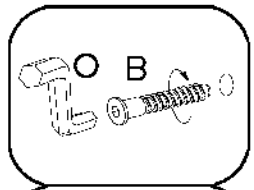
KUH.10323



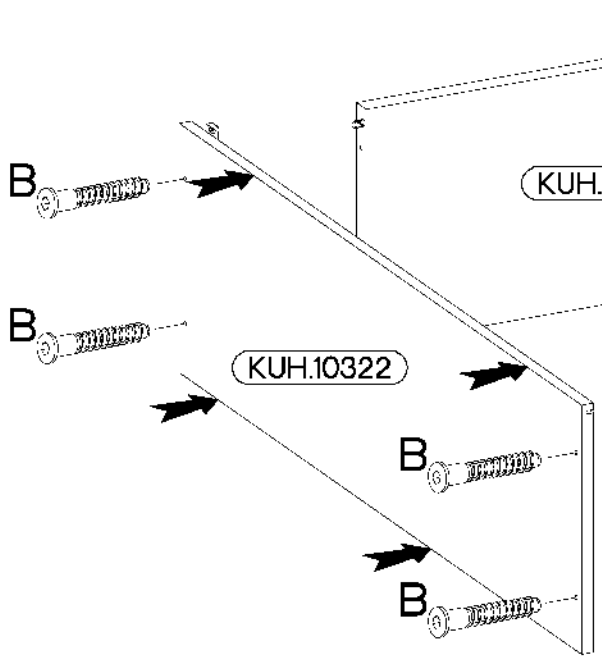
B



KUH.40146

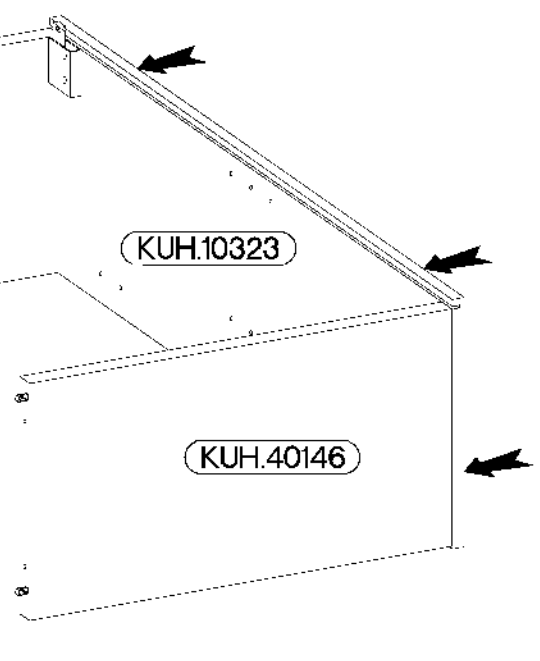


3



KUH.40146

KUH.10322



KUH.10323

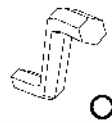
KUH.40146

6,4 x 50mm



4

B



1

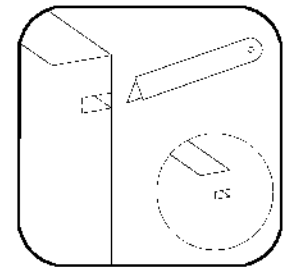
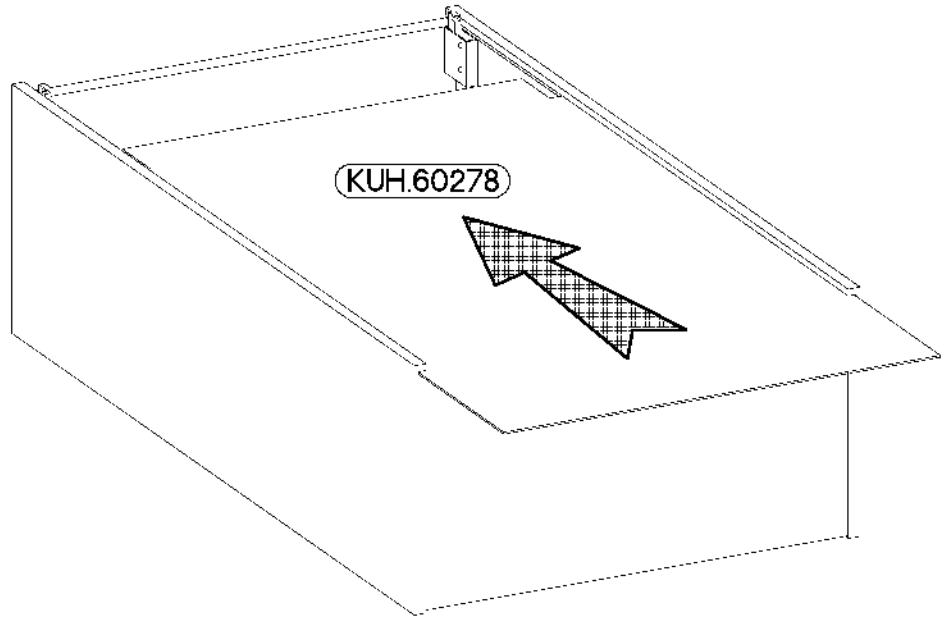
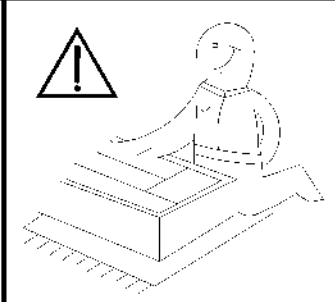
O



4

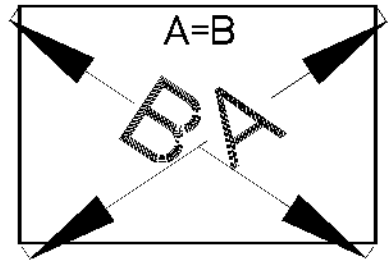
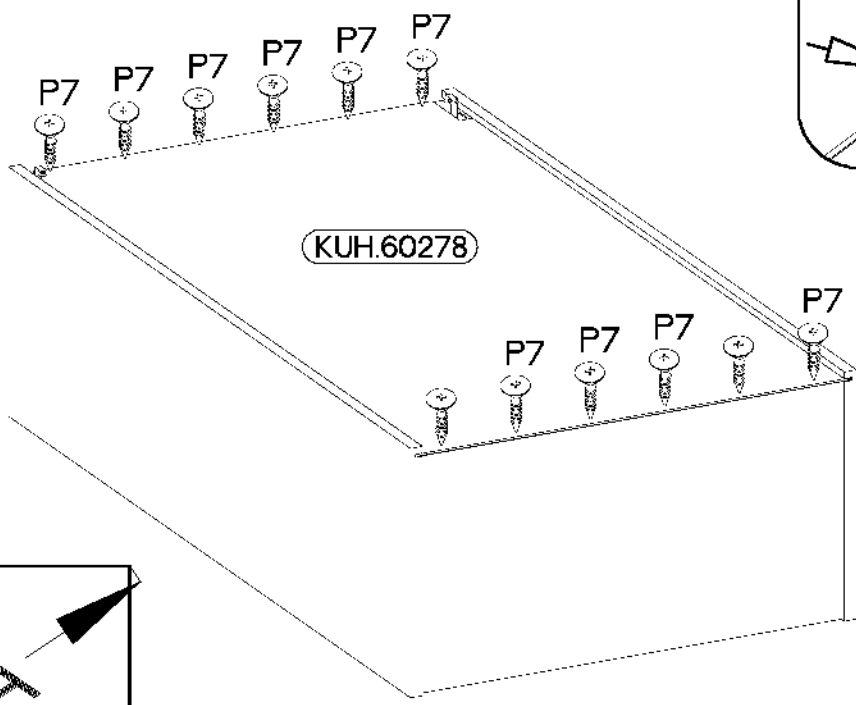
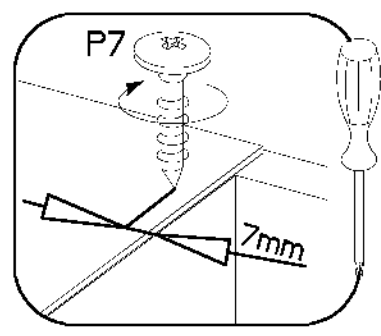
E1

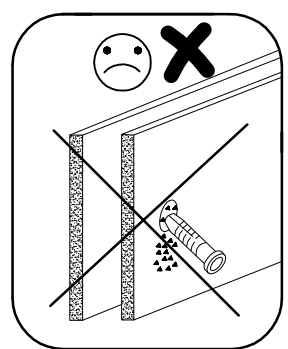
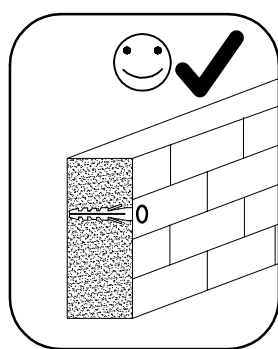
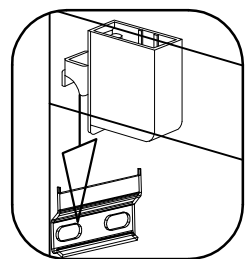
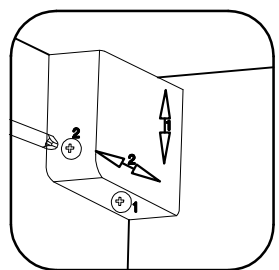
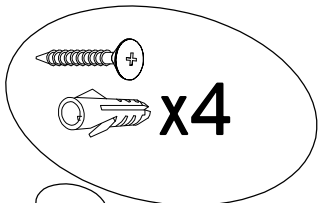
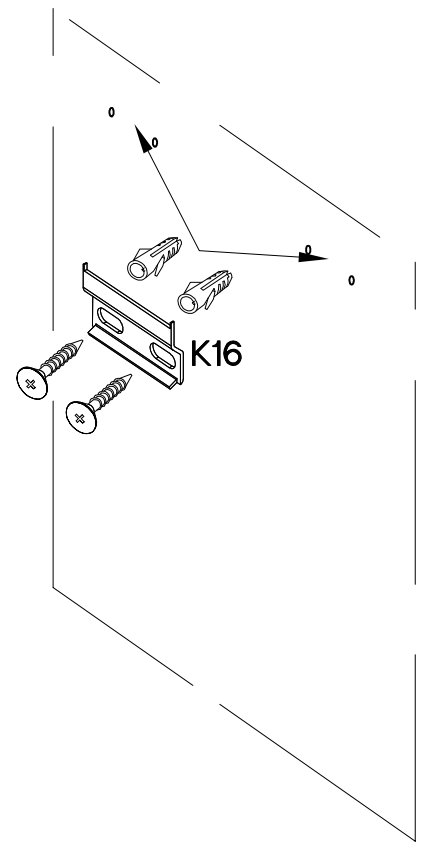
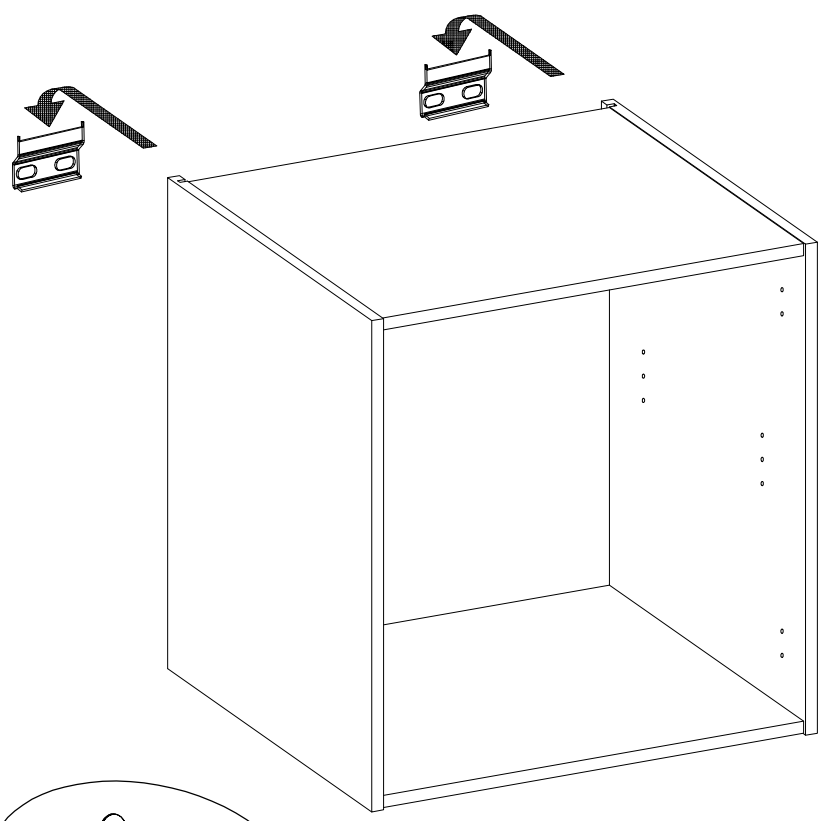
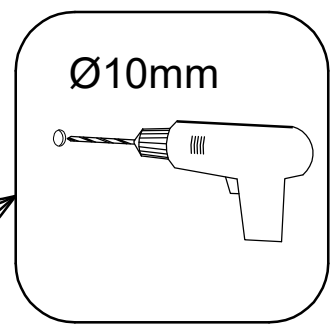
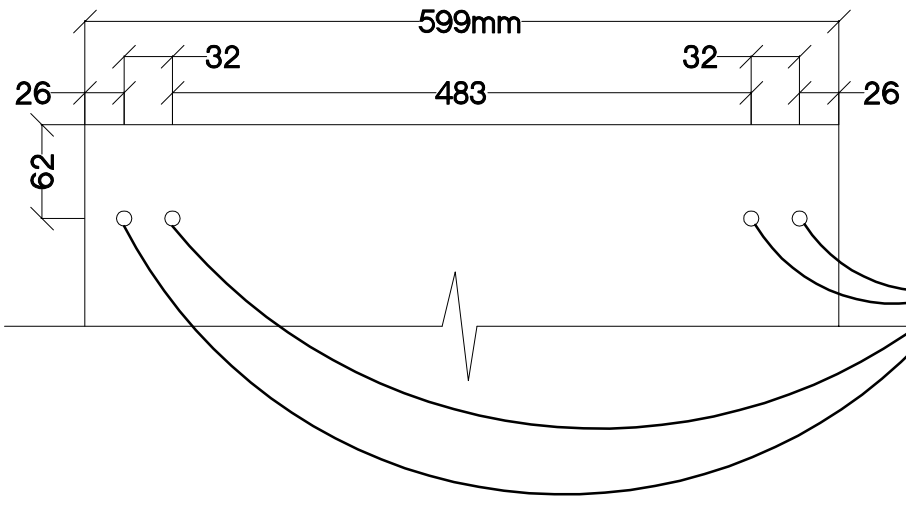
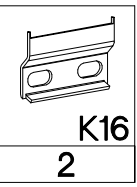
4



5

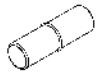
±3.0x20mm
P7
10-15





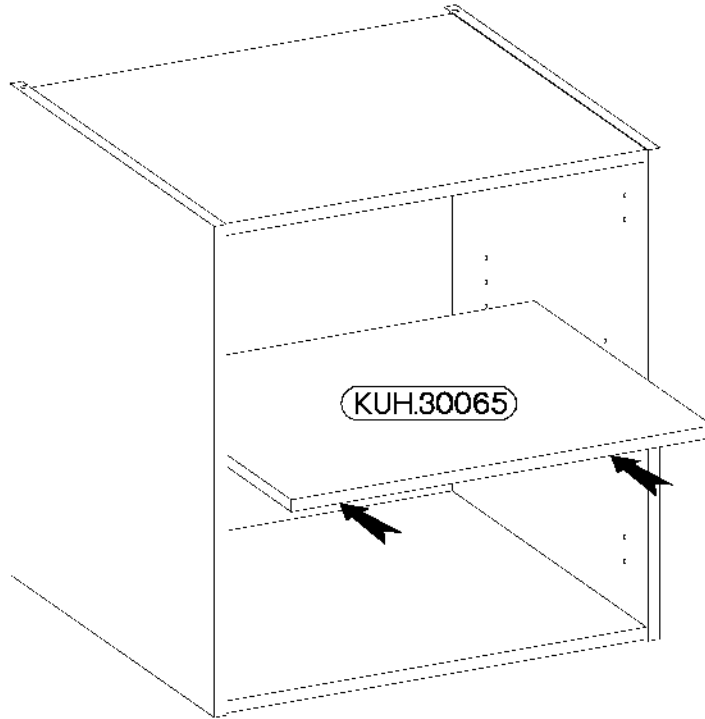
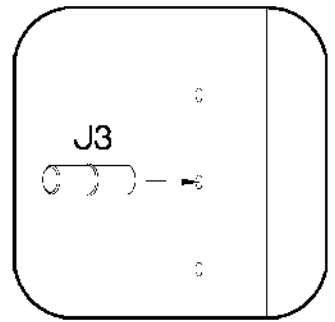


±5/16mm



J3

4



8

±35/0mm

±3.5x13mm



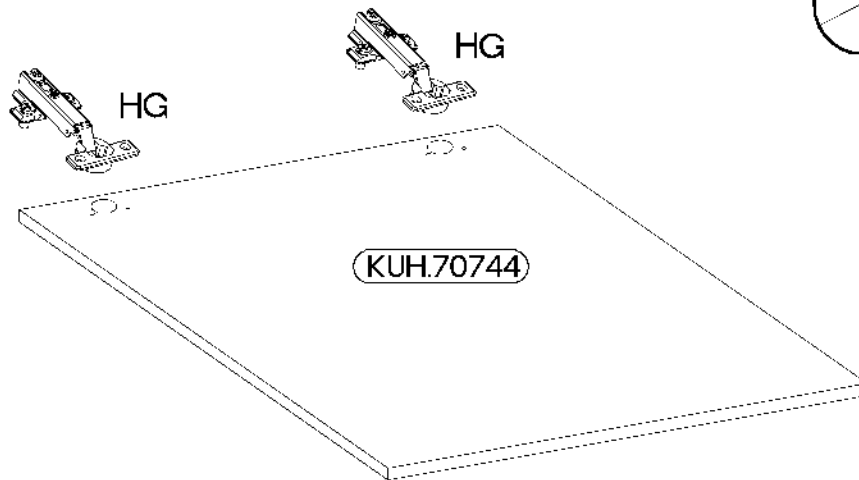
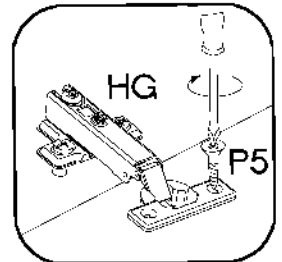
HG

2


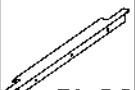


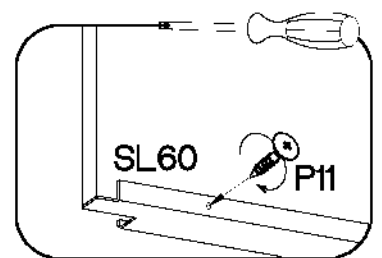
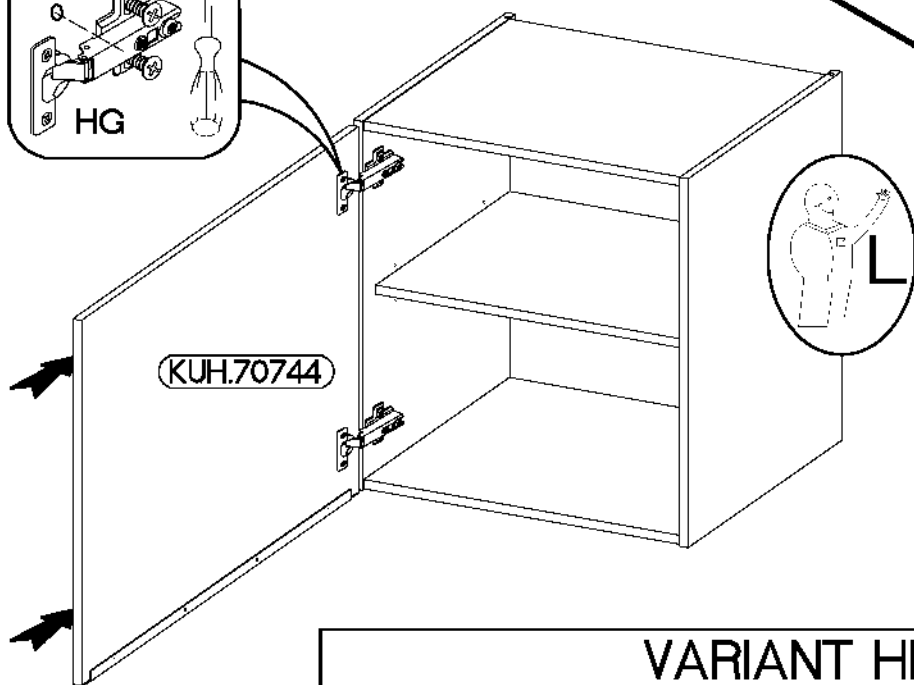
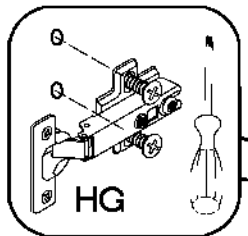
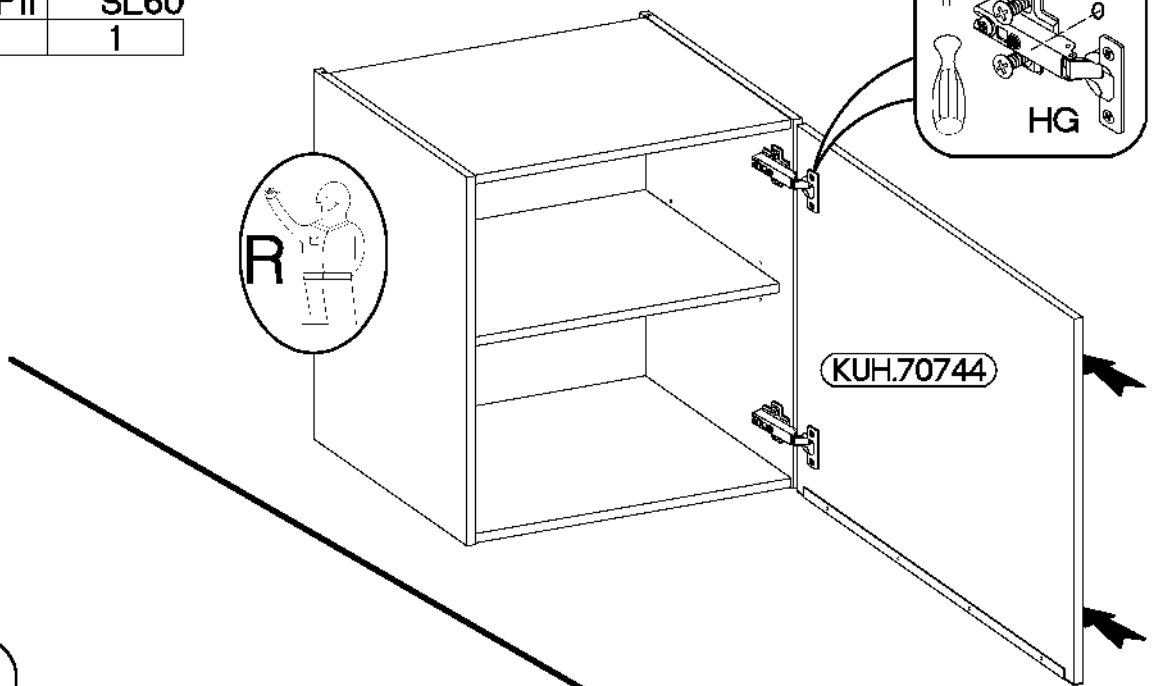
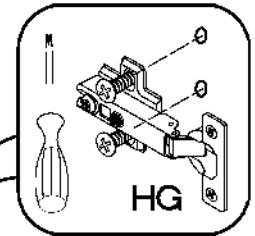
P5

4

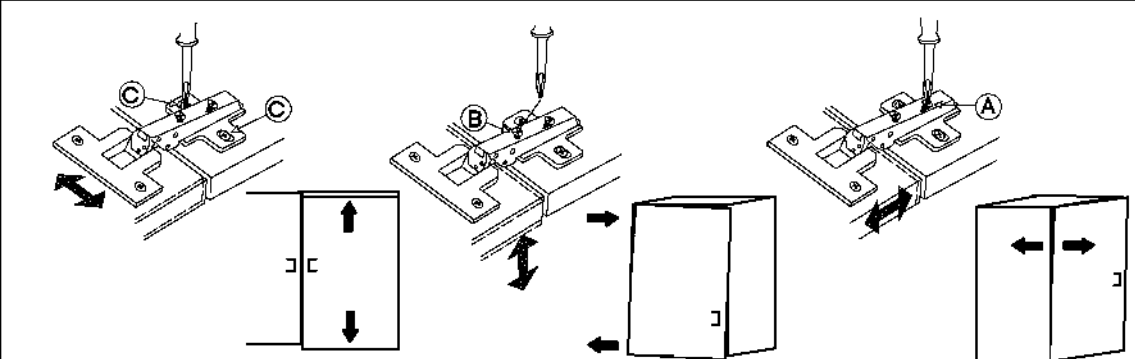
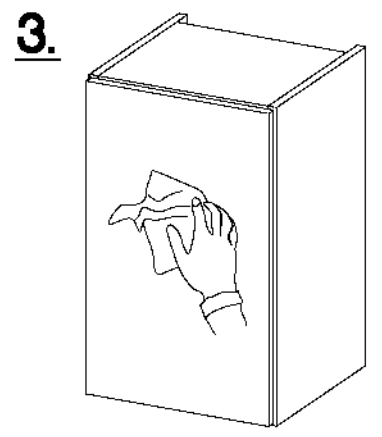
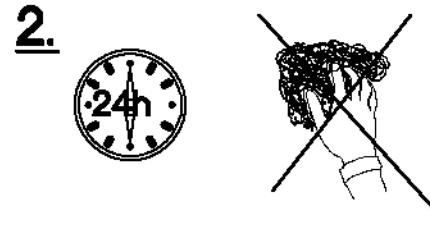
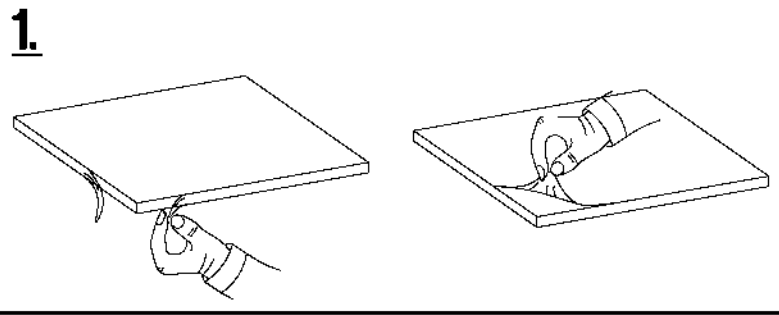


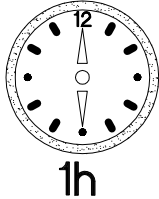
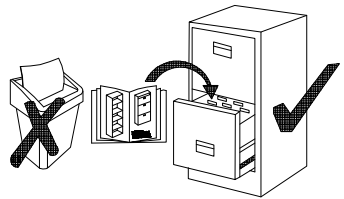
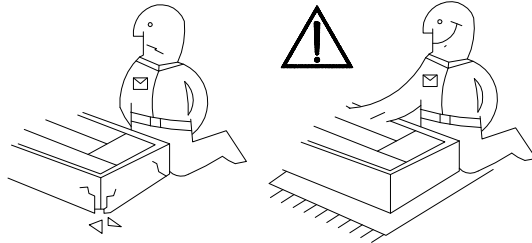
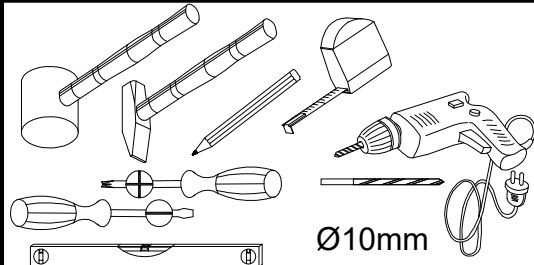
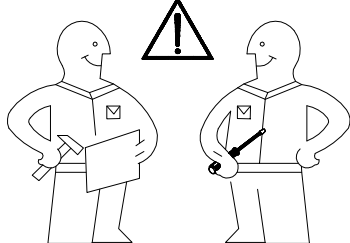
9

3.0x16mm	L=595mm
	
P11	SL60
4	1

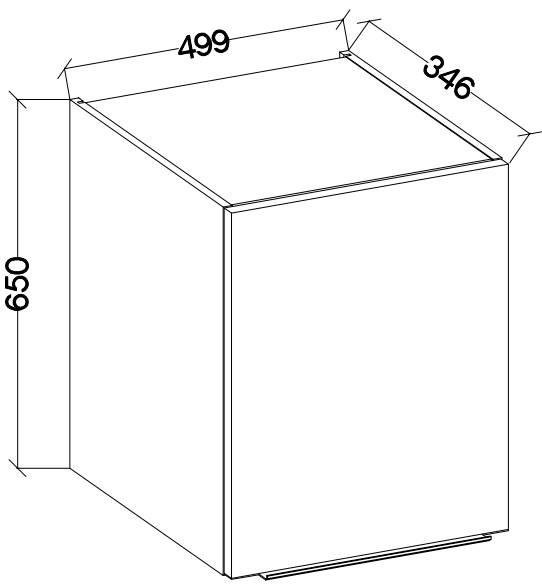
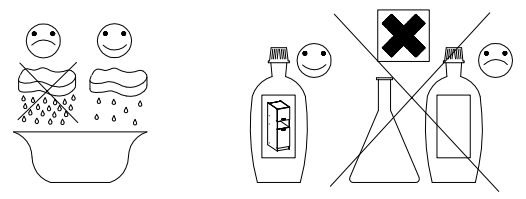


VARIANT HIGH GLOSS

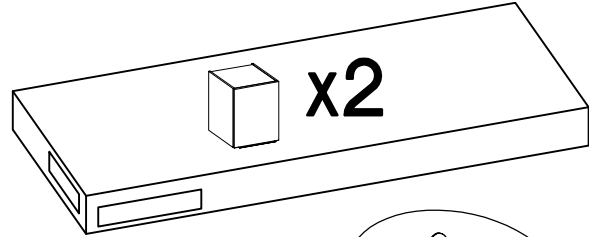




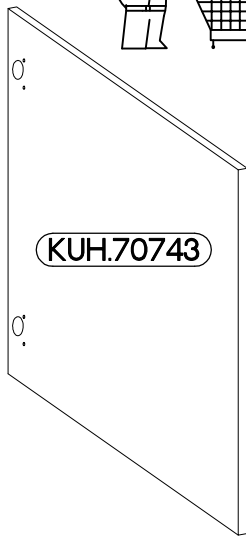
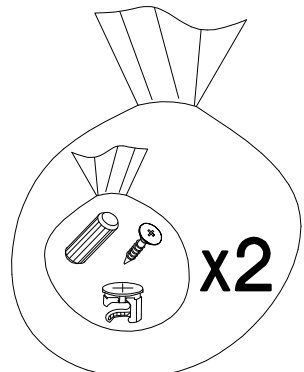
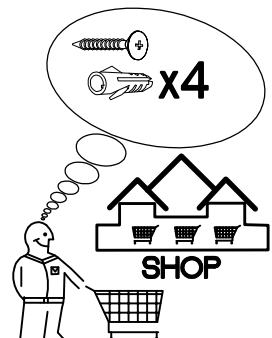
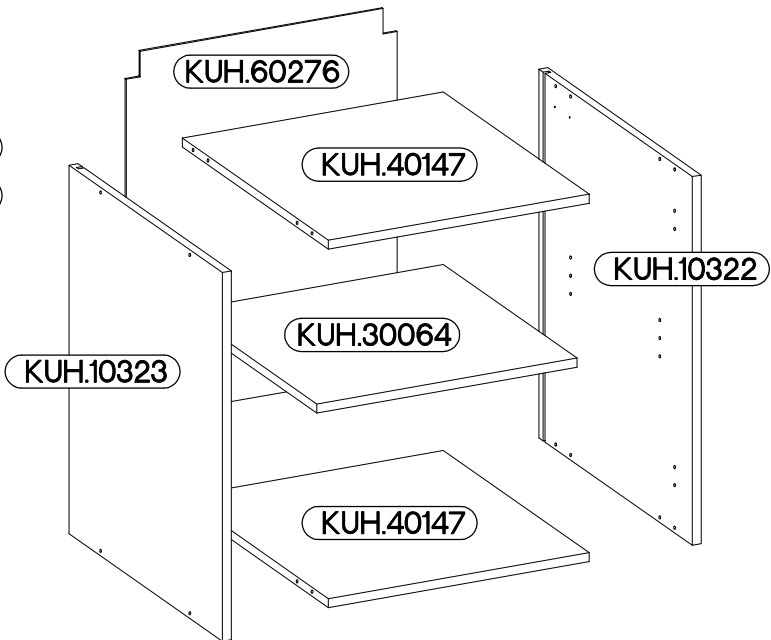
SAFADO / MARLEEN
 84-170-...
 84-176-...
 84-17D-...



respekta®



max. 5kg
 KUH.30064
 KUH.40147

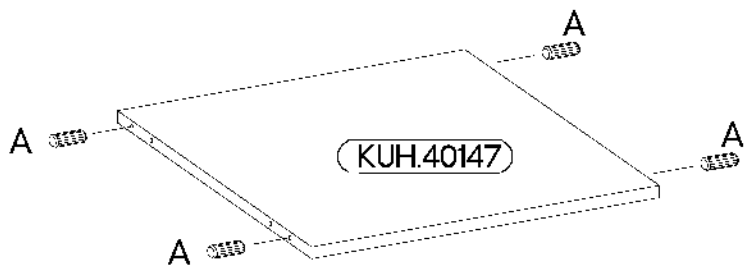
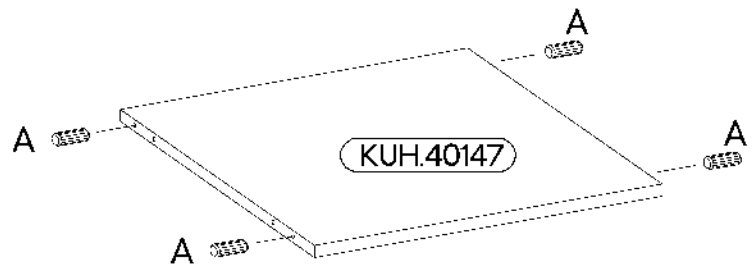
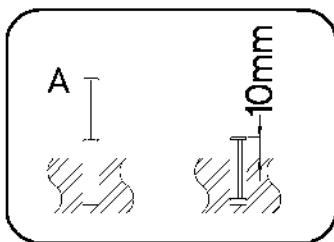
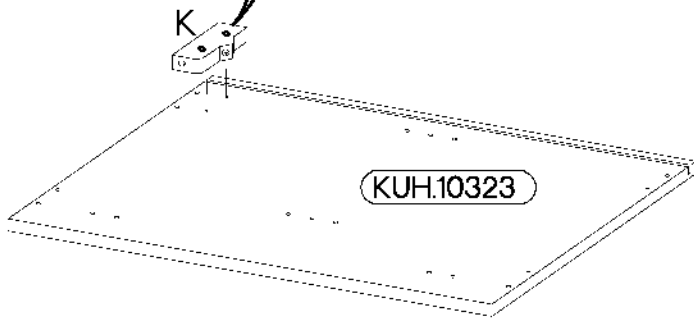
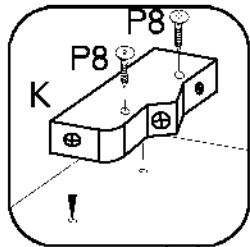
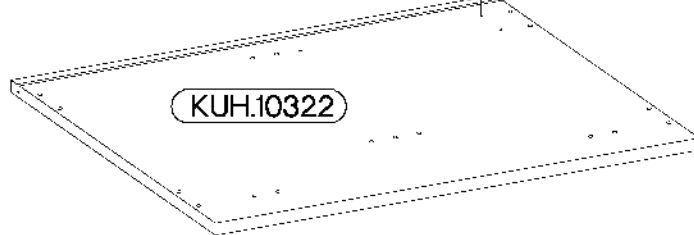
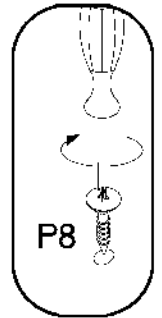
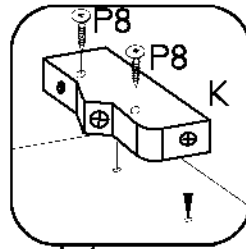
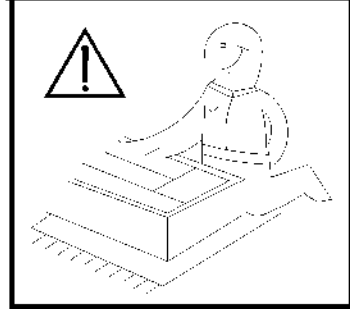
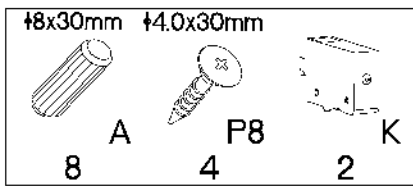


 A 8	 B 8	 E1 8	 HG 2	 J3 4	 K 2	
 K16 2	 O 1	 P5 4	 P7 8-10	 P8 4	 P11 3	 SL50 1
		 +3.5x13mm	 +3.0x20mm	 +4.0x30mm	 +3.0x16mm	 L=495mm

Colli	Spare Part	Dimension
Colli 4/6	KUH.10322	650x330x16
	KUH.10323	650x330x16
	KUH.30064	466x288x16
	KUH.40147 x2	467x314x16
	KUH.60276	646x485x2,5
	KUH.70743	644x496x16

x2

ISM-KUH-01605



2

6,4 x 50mm



4

B



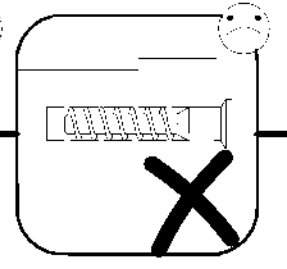
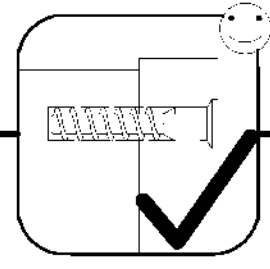
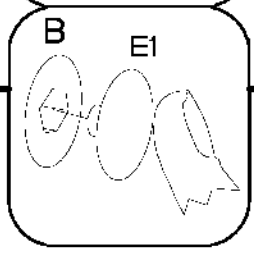
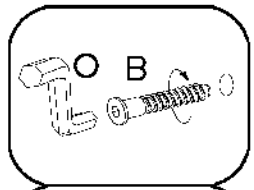
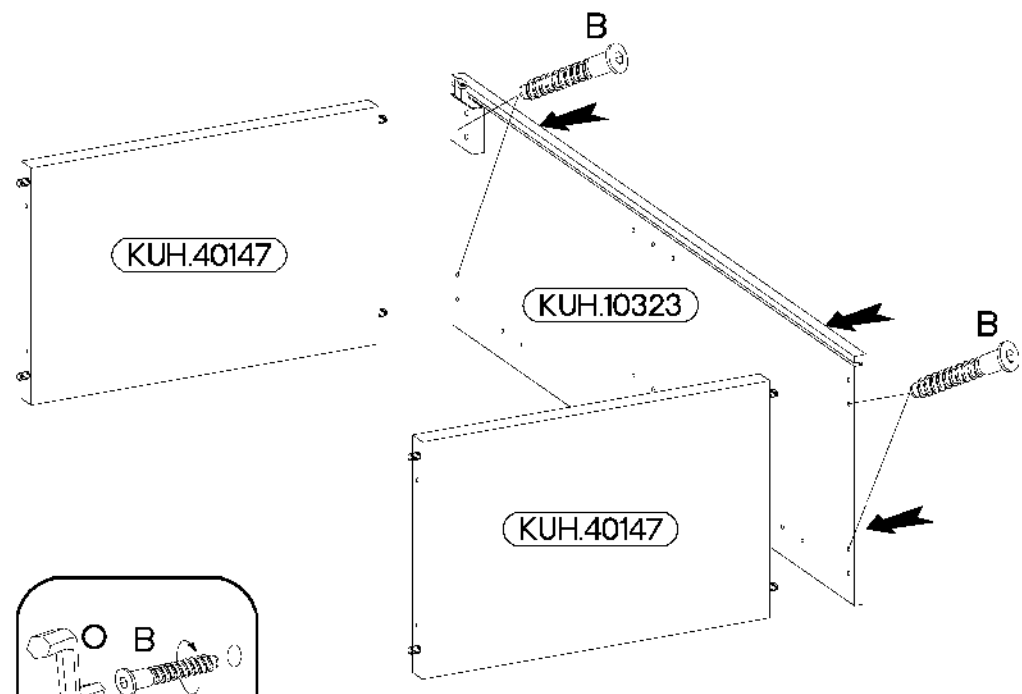
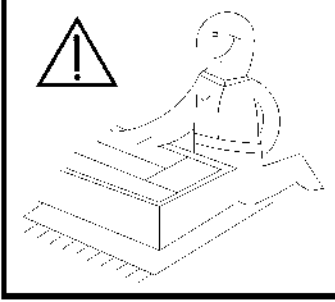
1

O

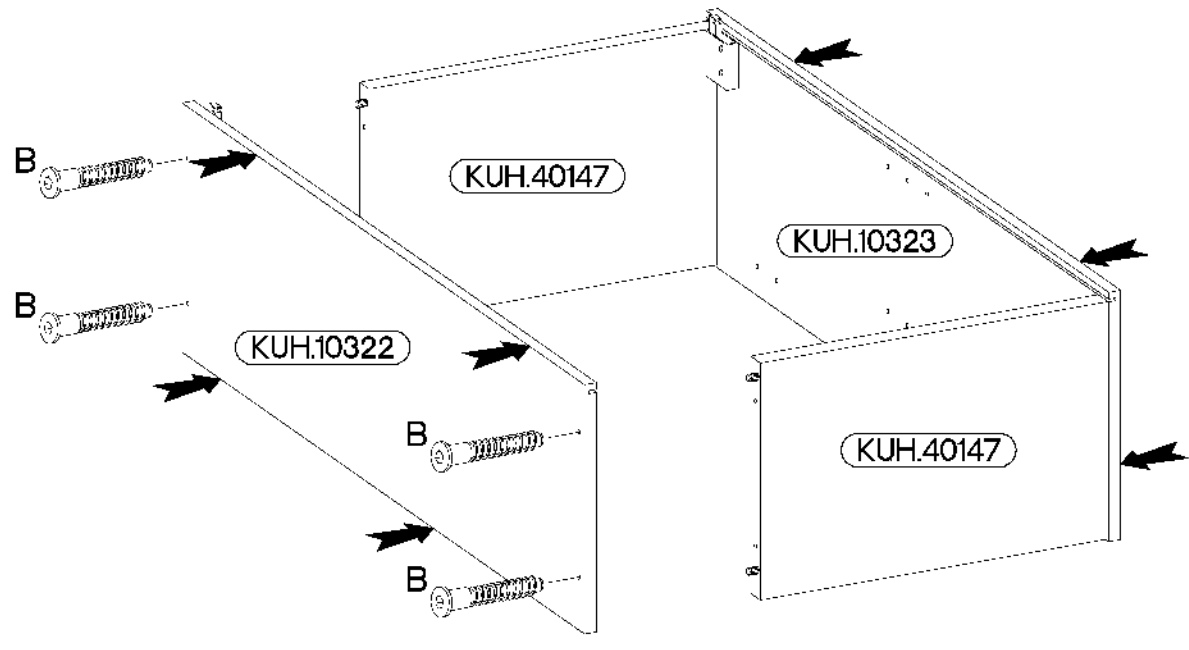


4

E1



3

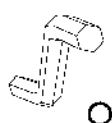


6,4 x 50mm



4

B



1

O

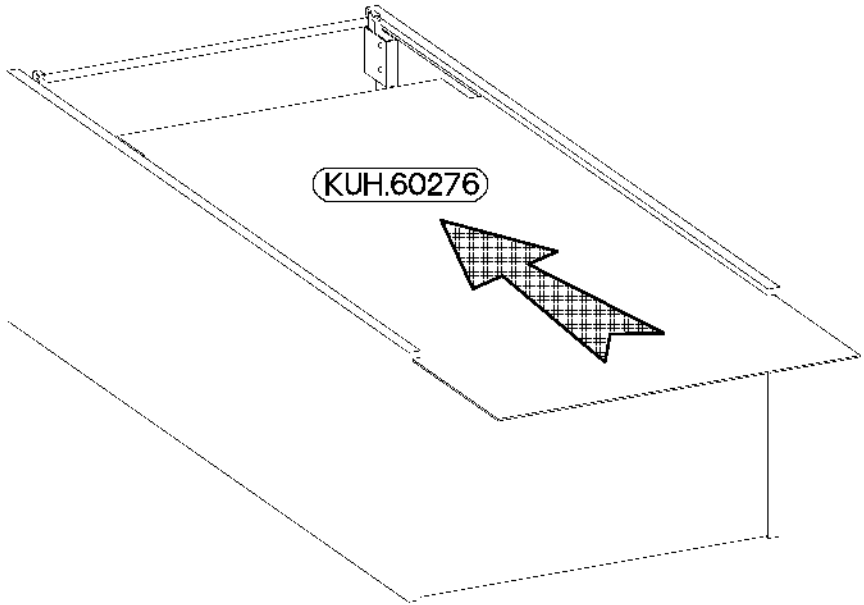
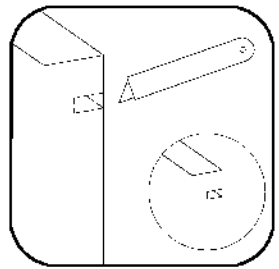
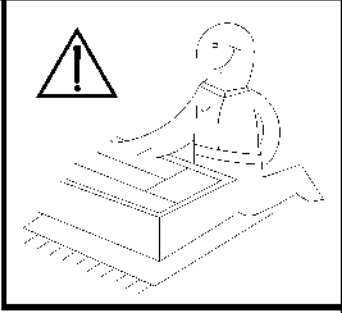


4

E1

4 B 1 O 4 E1

4



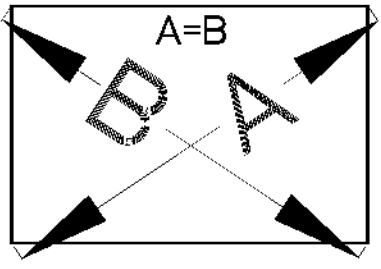
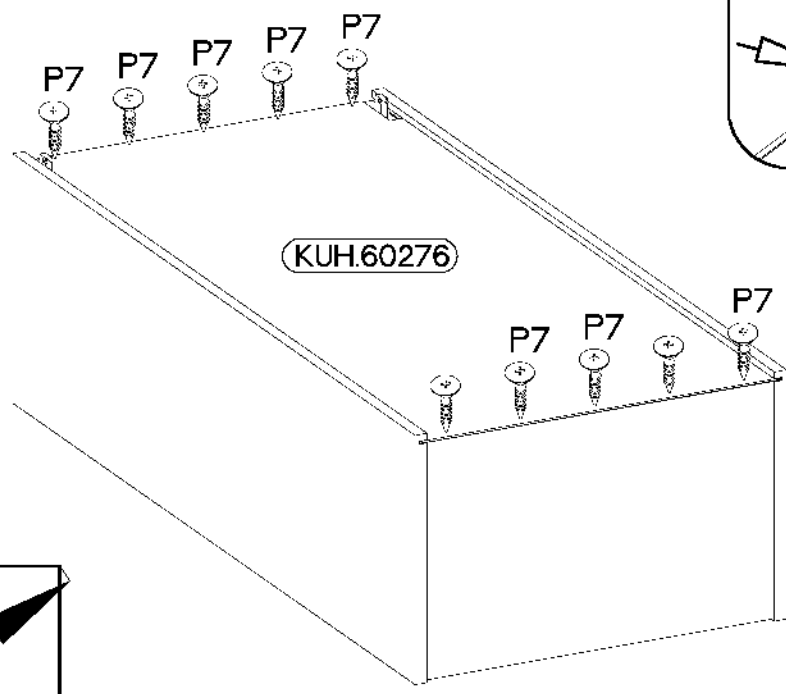
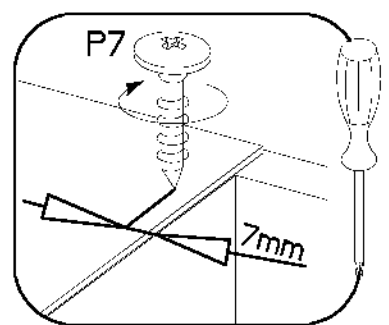
5

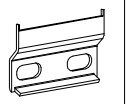
±3.0x20mm



P7

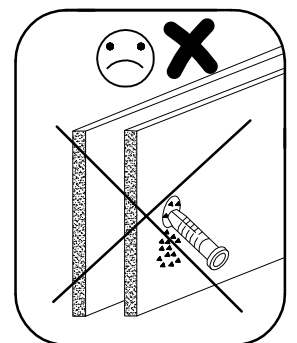
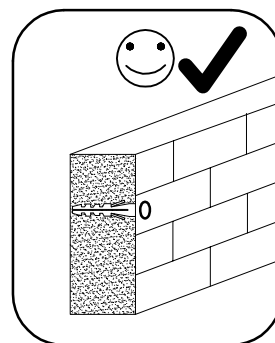
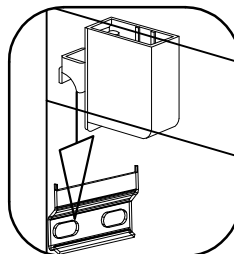
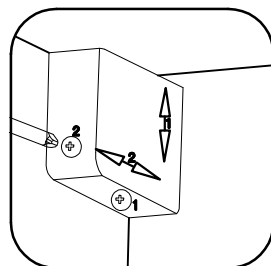
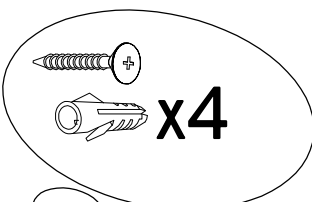
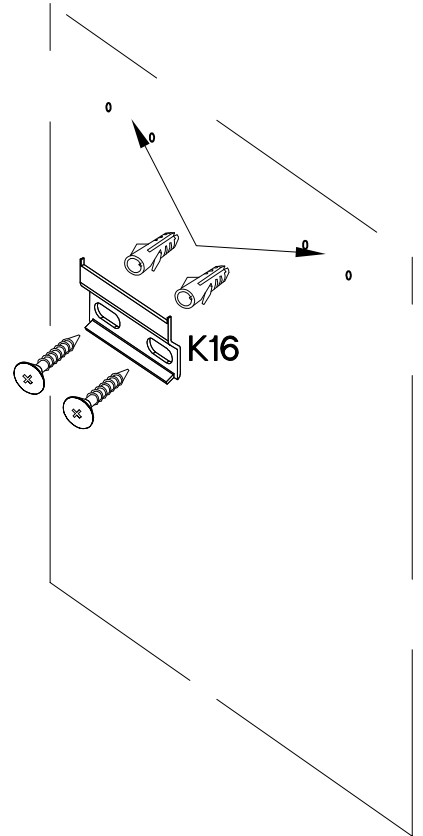
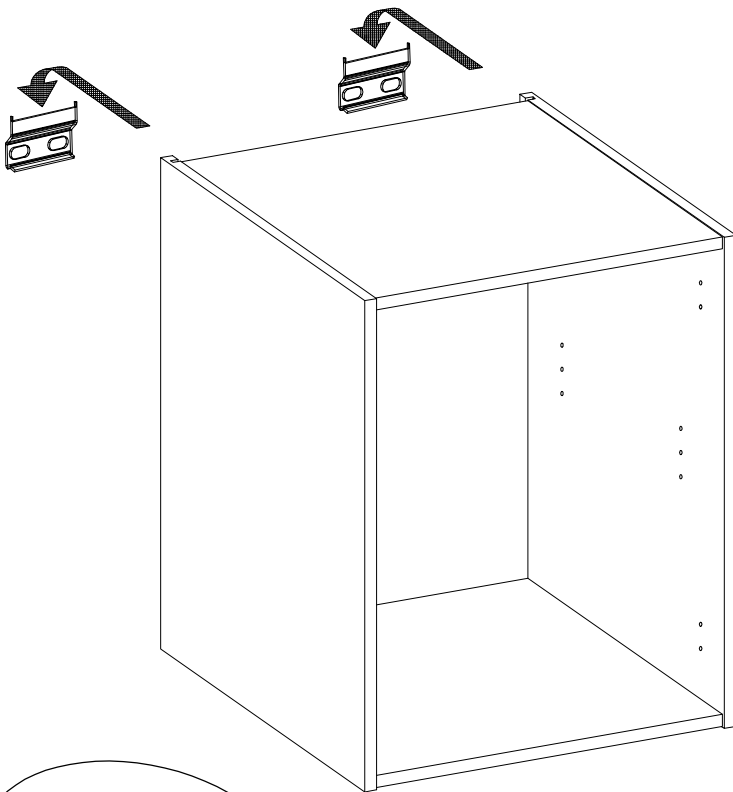
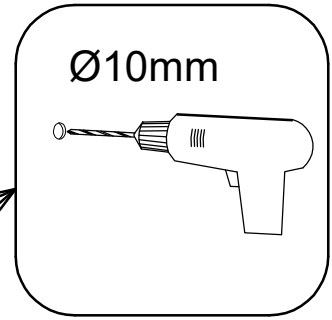
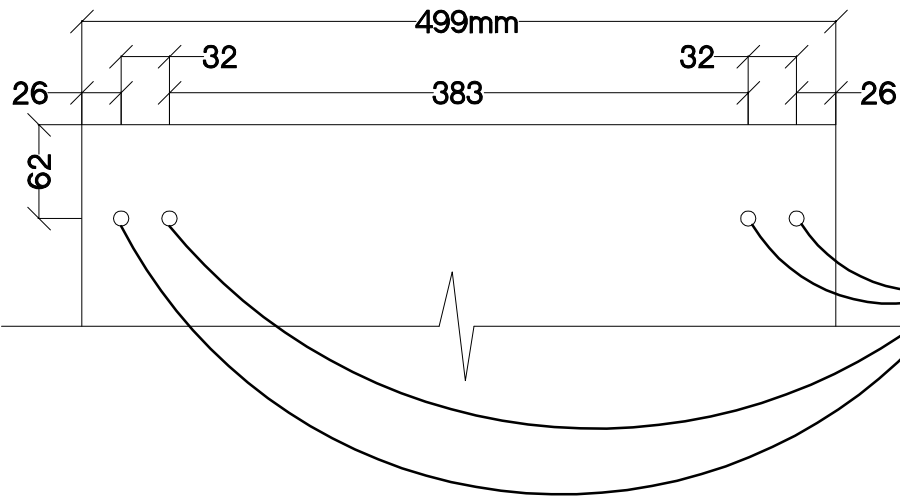
8-10





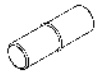
K16

2



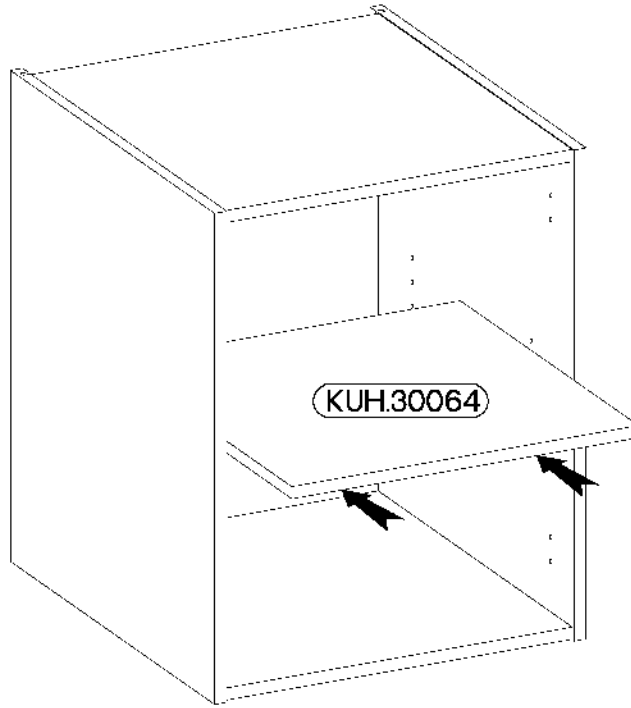
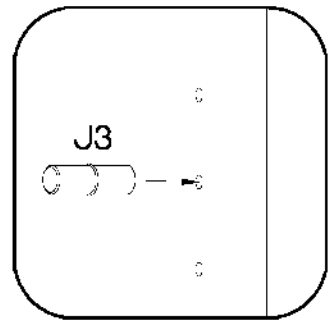


±5/16mm



J3

4



8

±35/0mm

±3.5x13mm



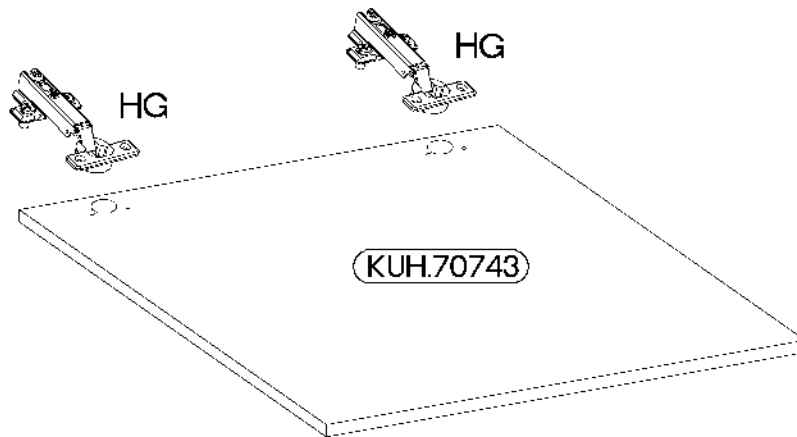
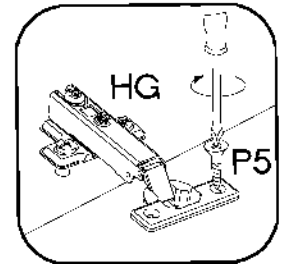
HG



2

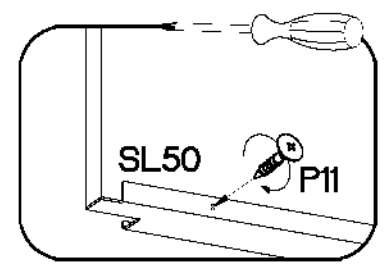
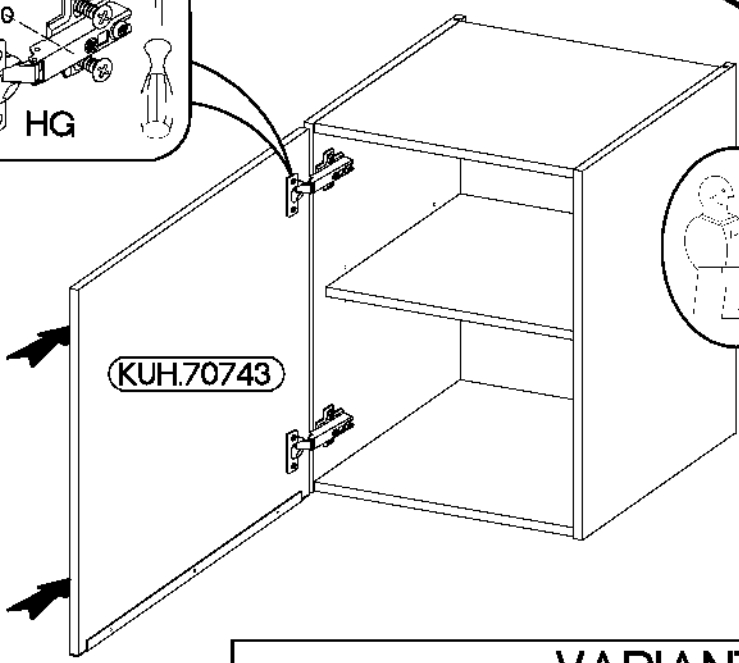
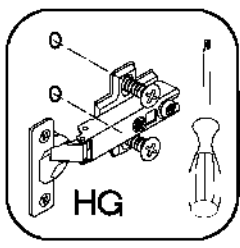
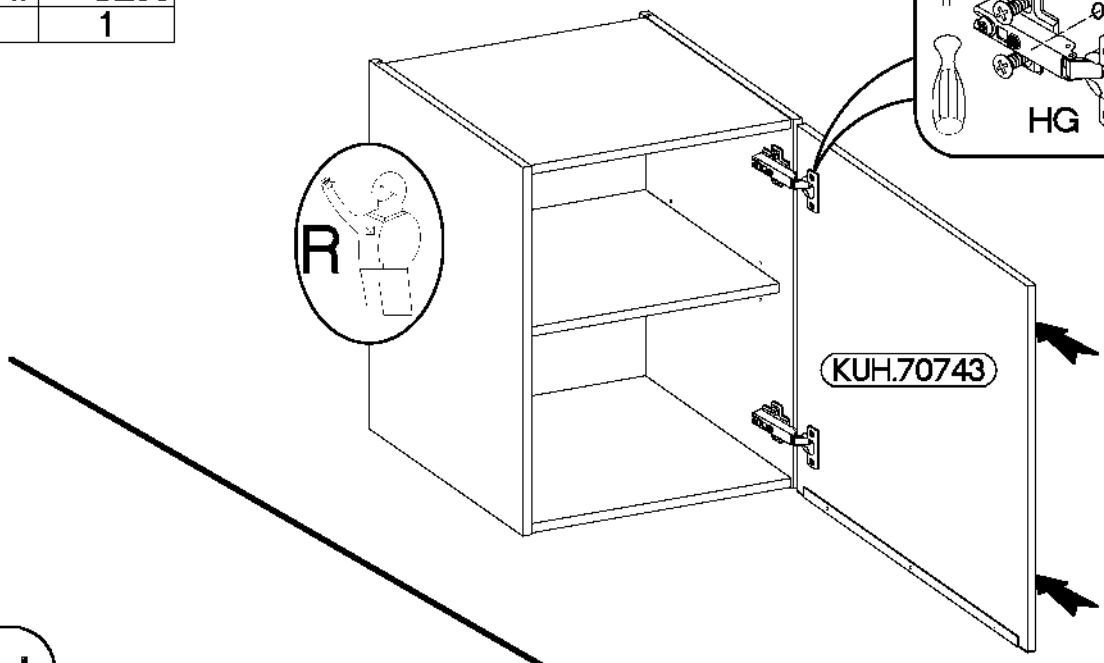
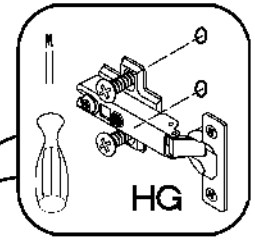


P5

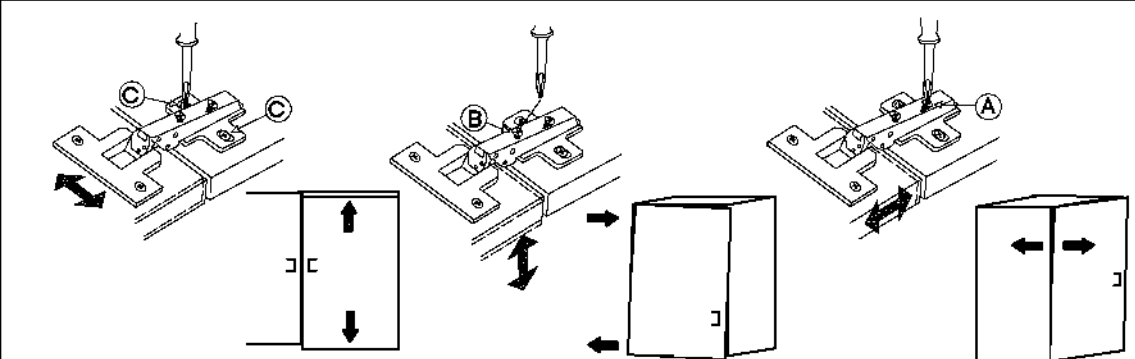
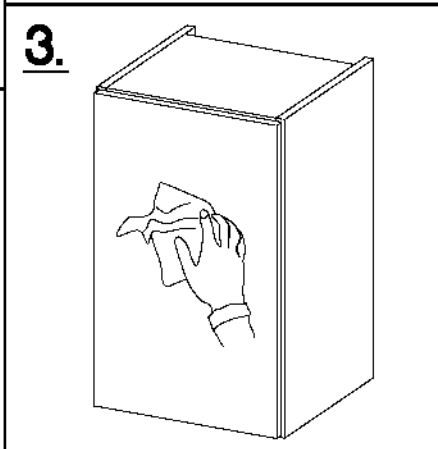
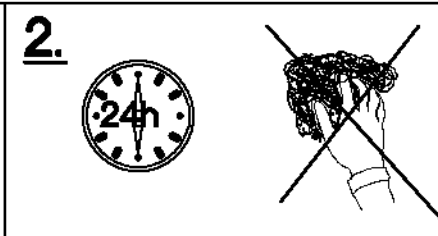
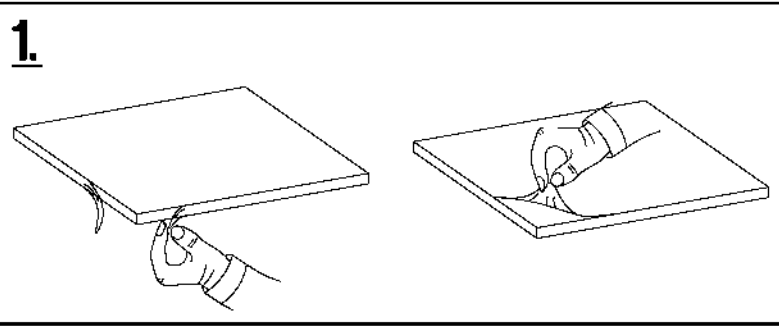
4

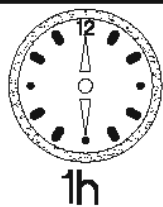
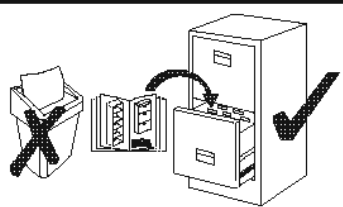
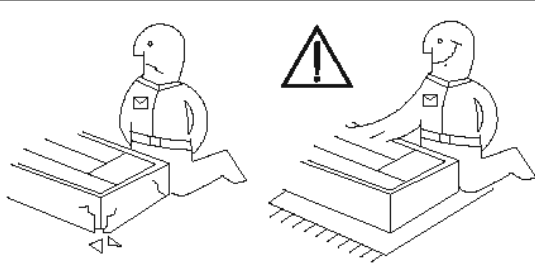
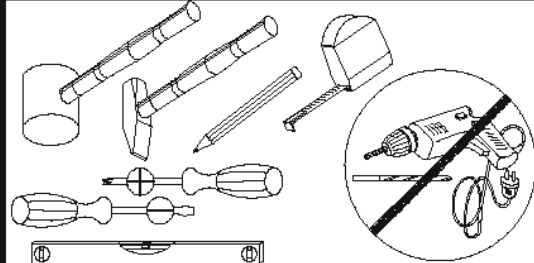
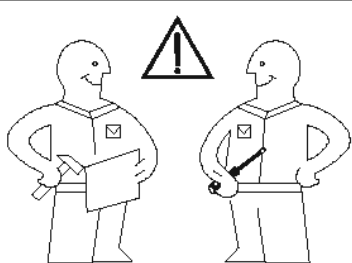


∅3.0x16mm	L=495mm
	
P11	SL50
3	1



VARIANT HIGH GLOSS





SAFADO / MARLEEN

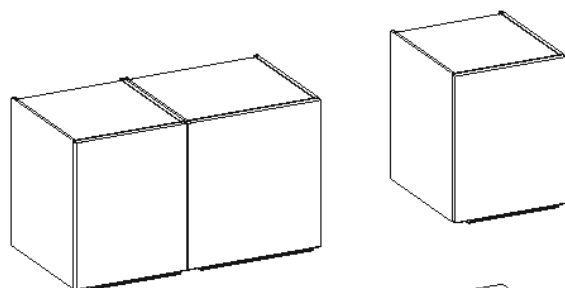
84-170-...

84-176-...

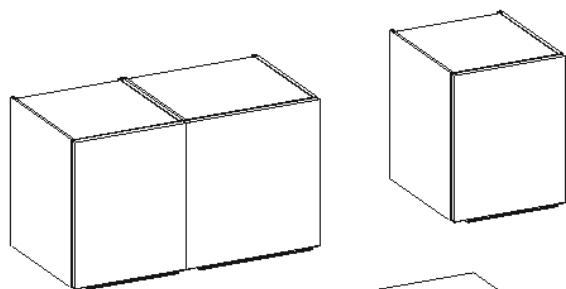
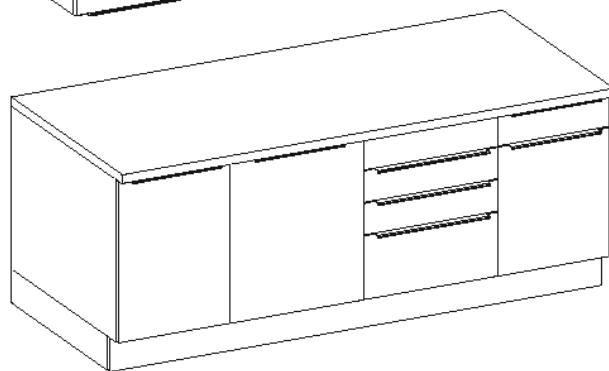
84-17F-...



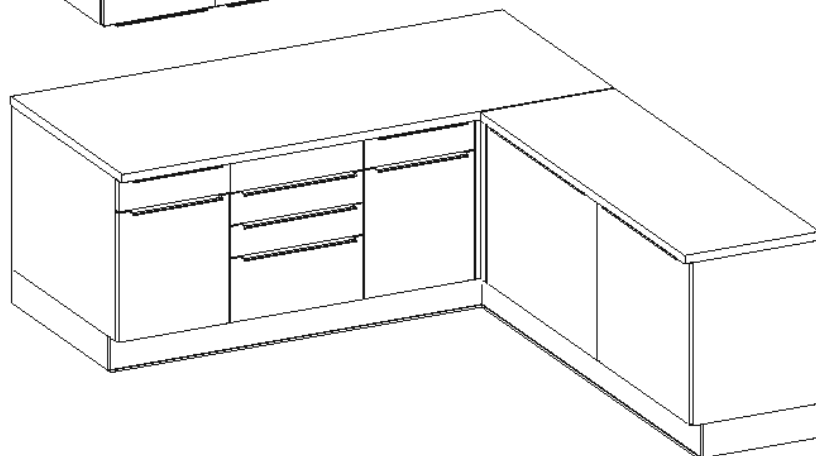
RESPEKTA®



VARIANT 1

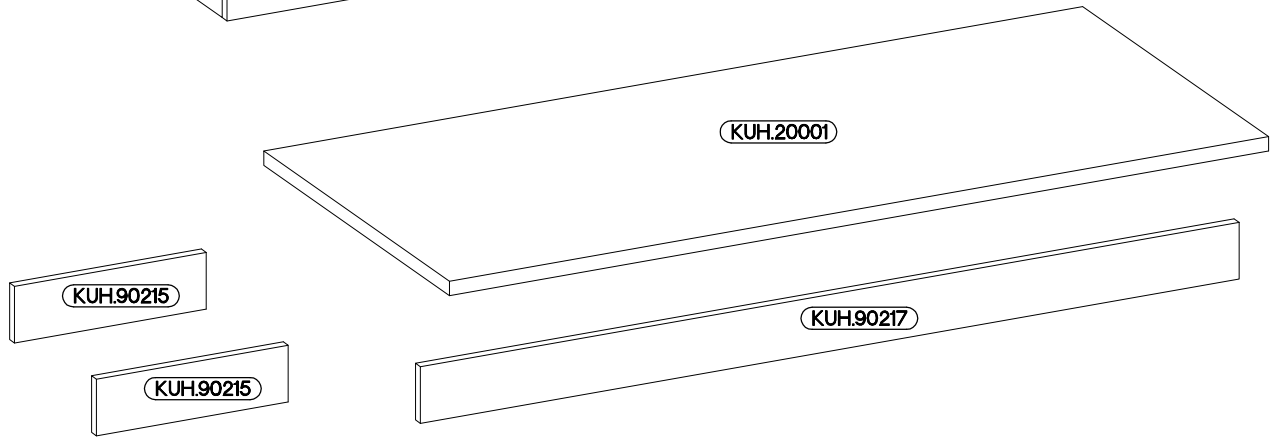
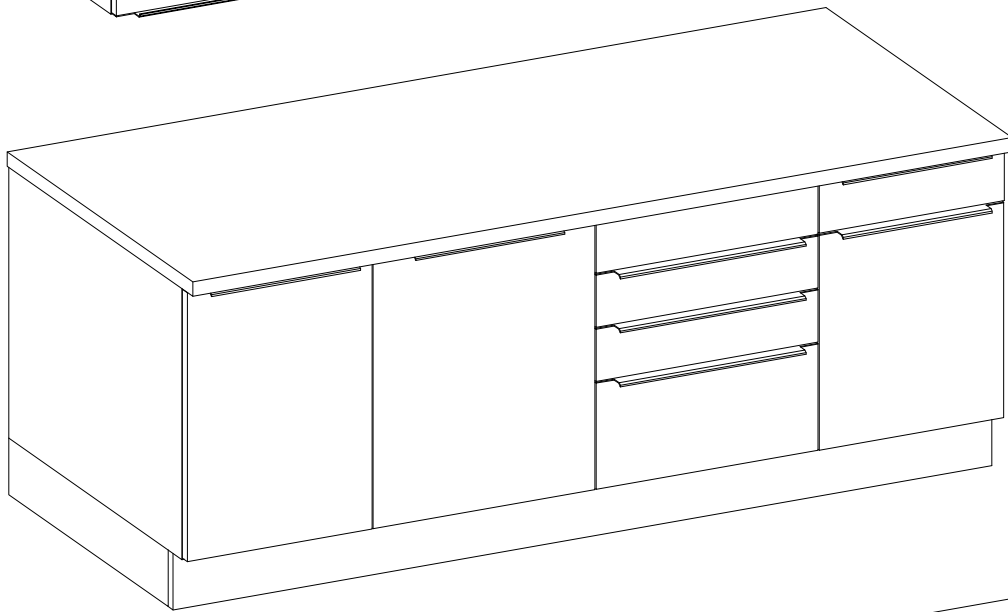
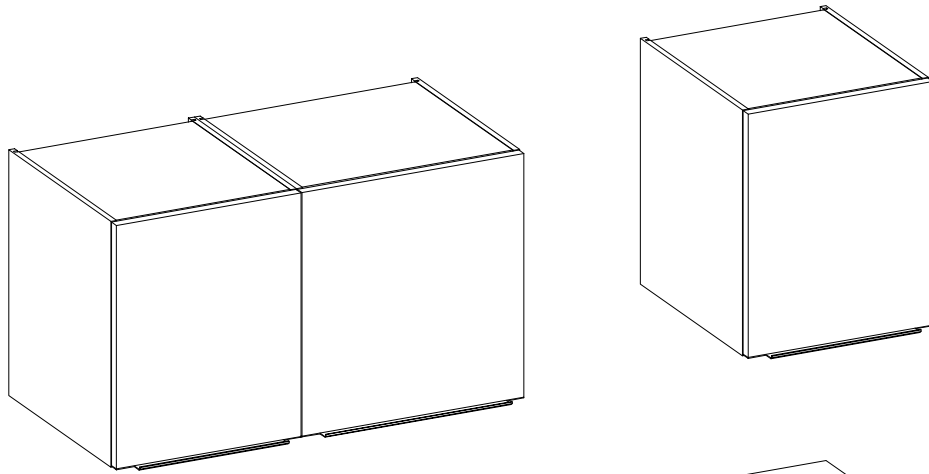


VARIANT 2



ISM-KUH-01597

VARIANT 1



Colli	Spare Part	Dimension
Colli 6/6	KUH.20001	2200x600x38
	KUH.90215 x2	515x150x16
	KUH.90217	2199x150x16

±3.5x13mm



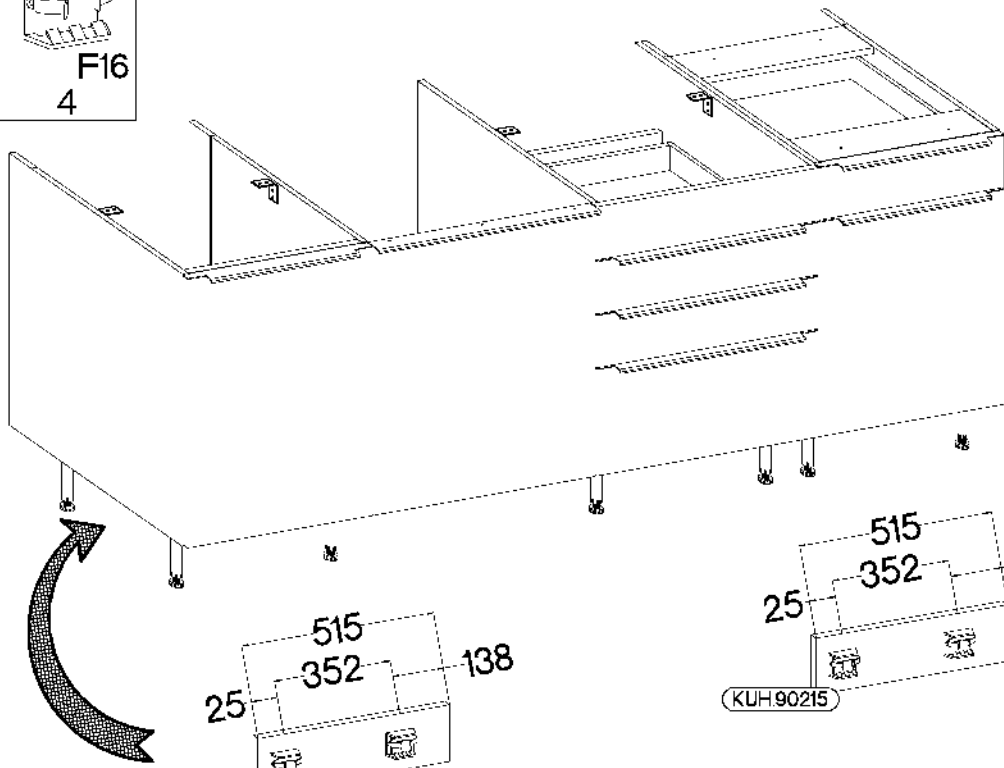
P5

8



F16

4

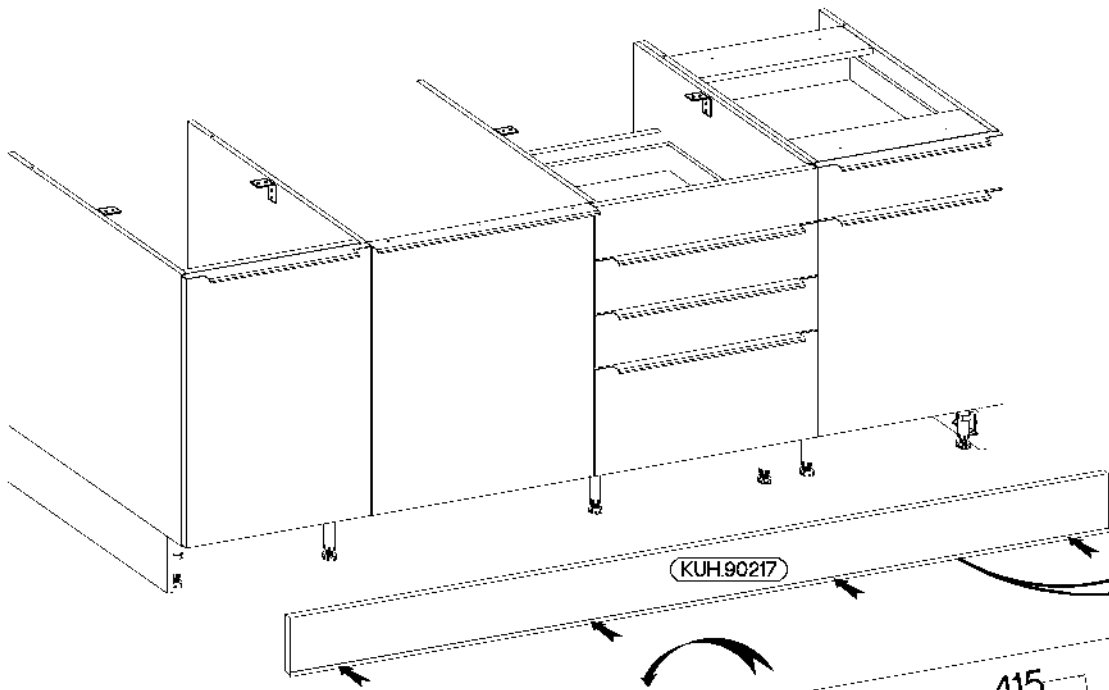


KUH.90215

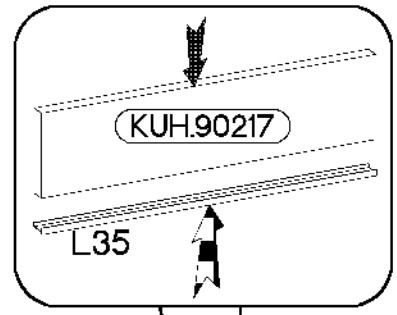
KUH.90215

2

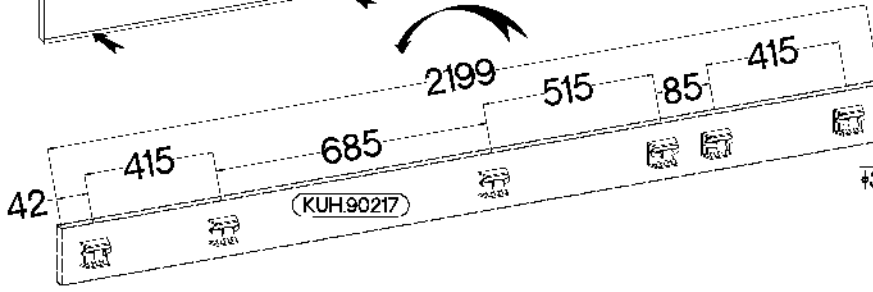
- 1.
- 2.
- 3.
- 4.



KUH.90217



L35



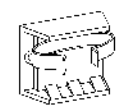
KUH.90217

±3.5x13mm



P5

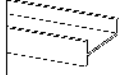
12



F16

6



L=2200mm

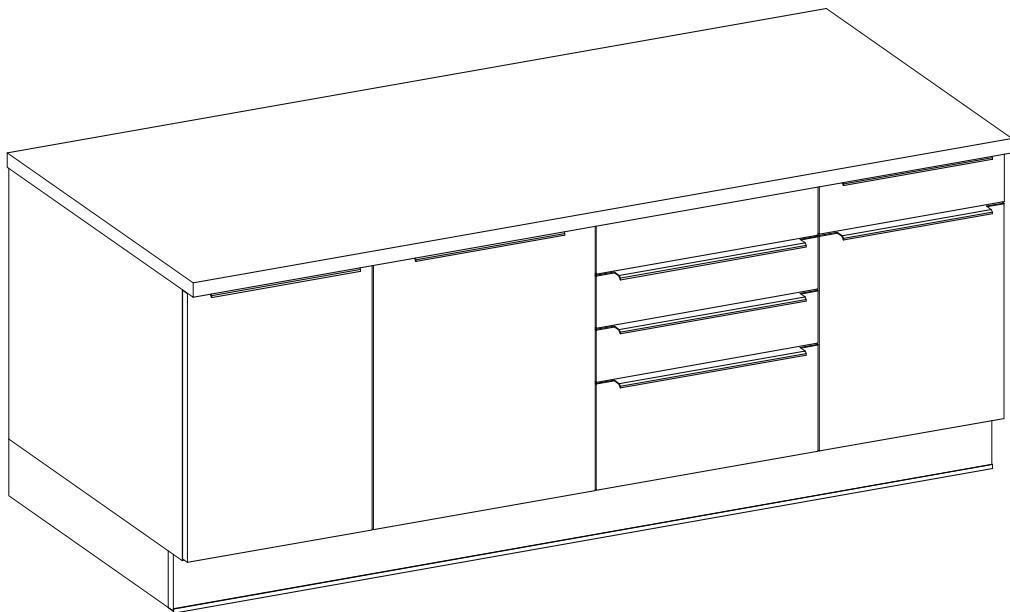
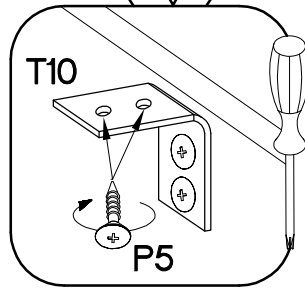
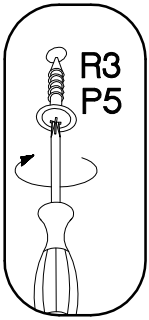
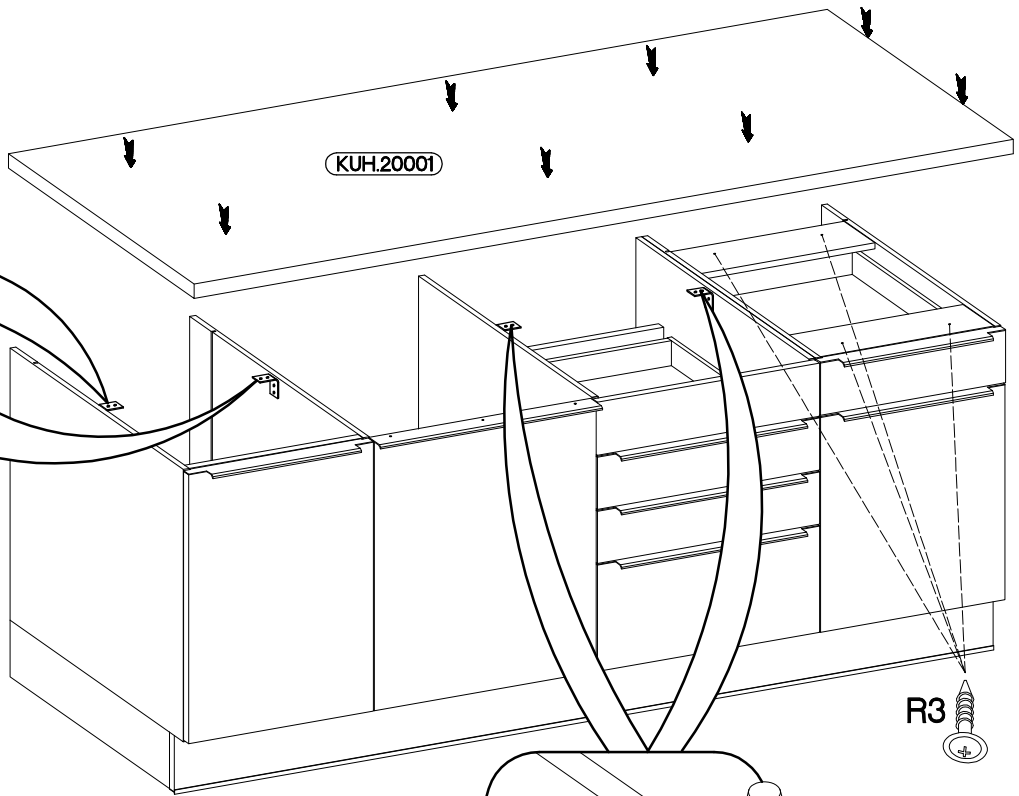
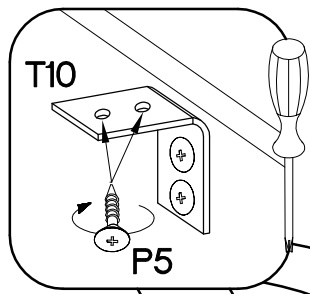




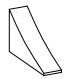
L35

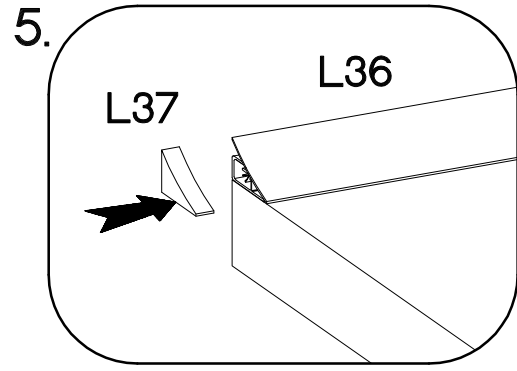
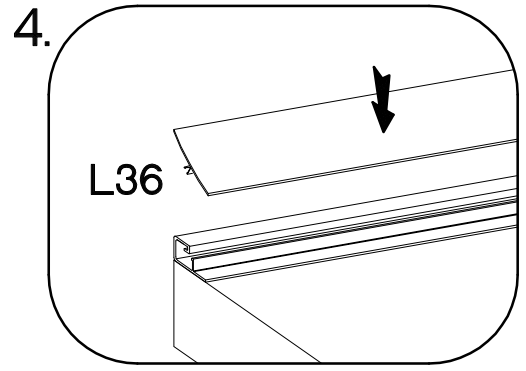
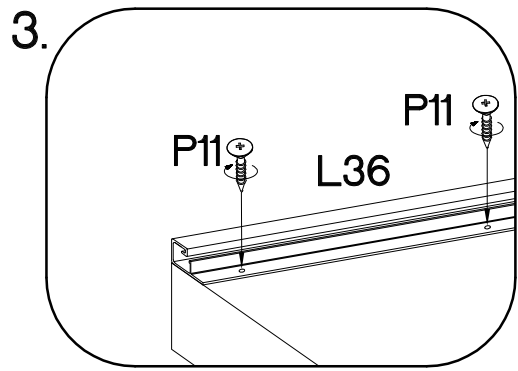
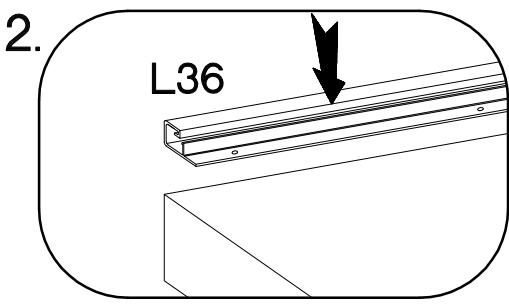
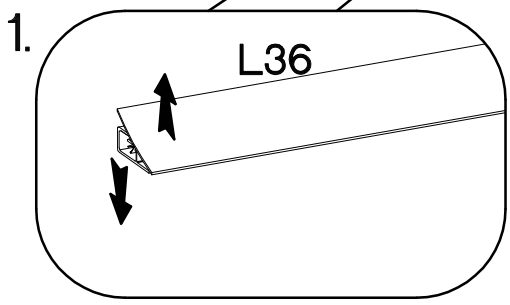
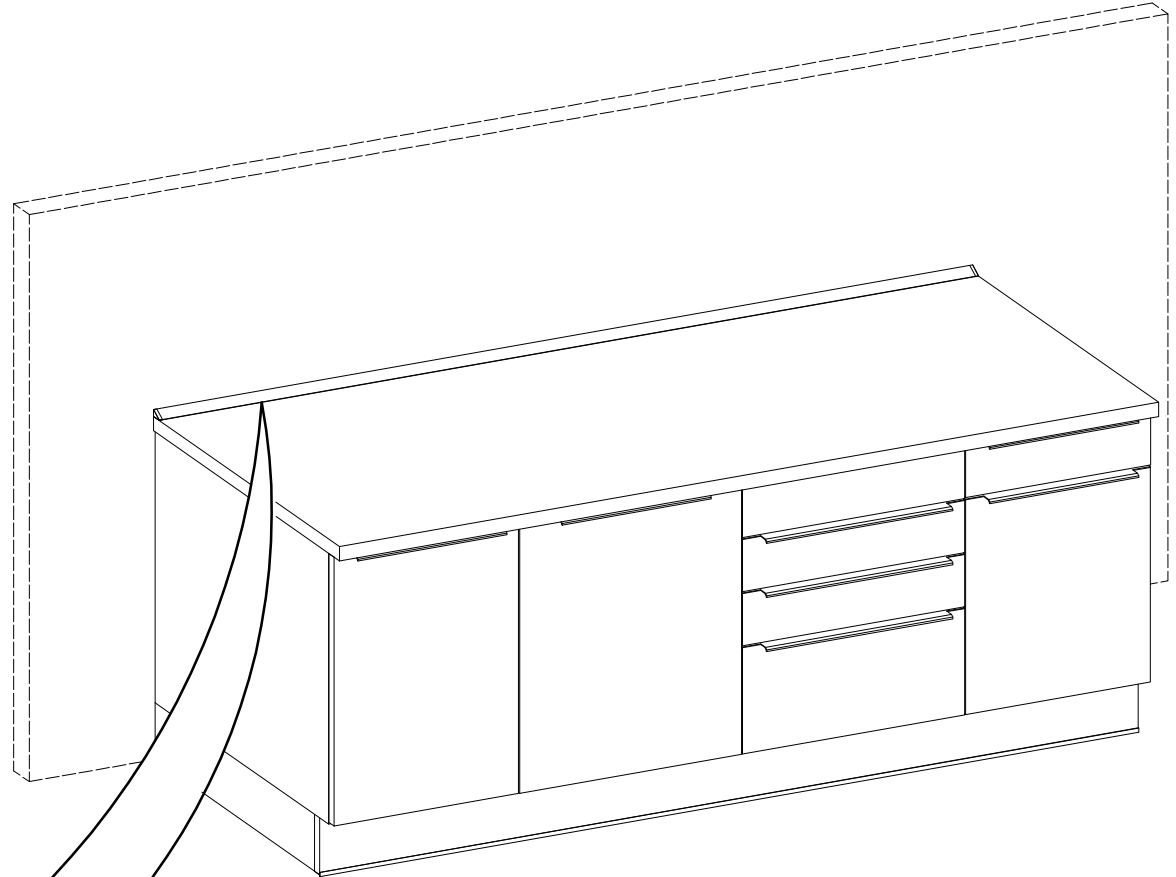
1

3

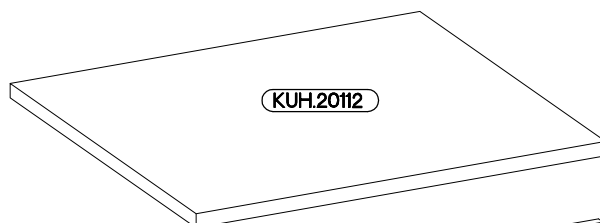
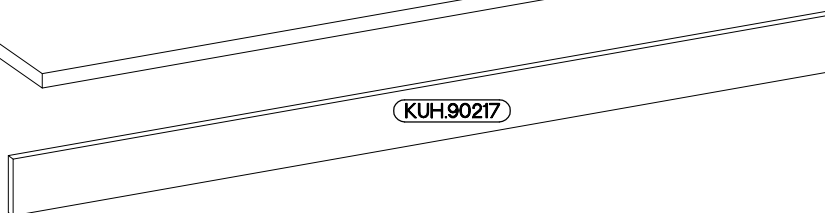
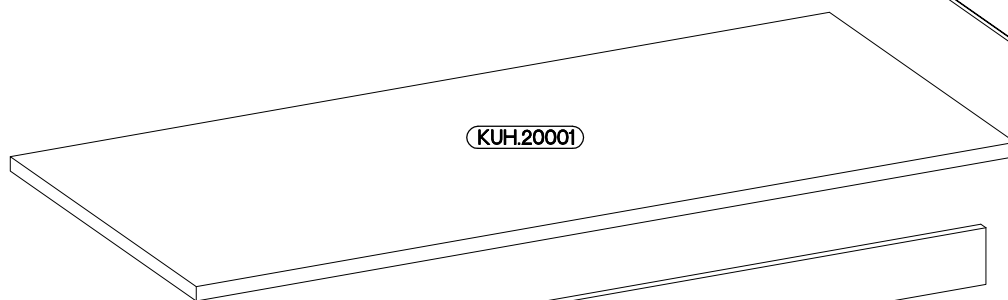
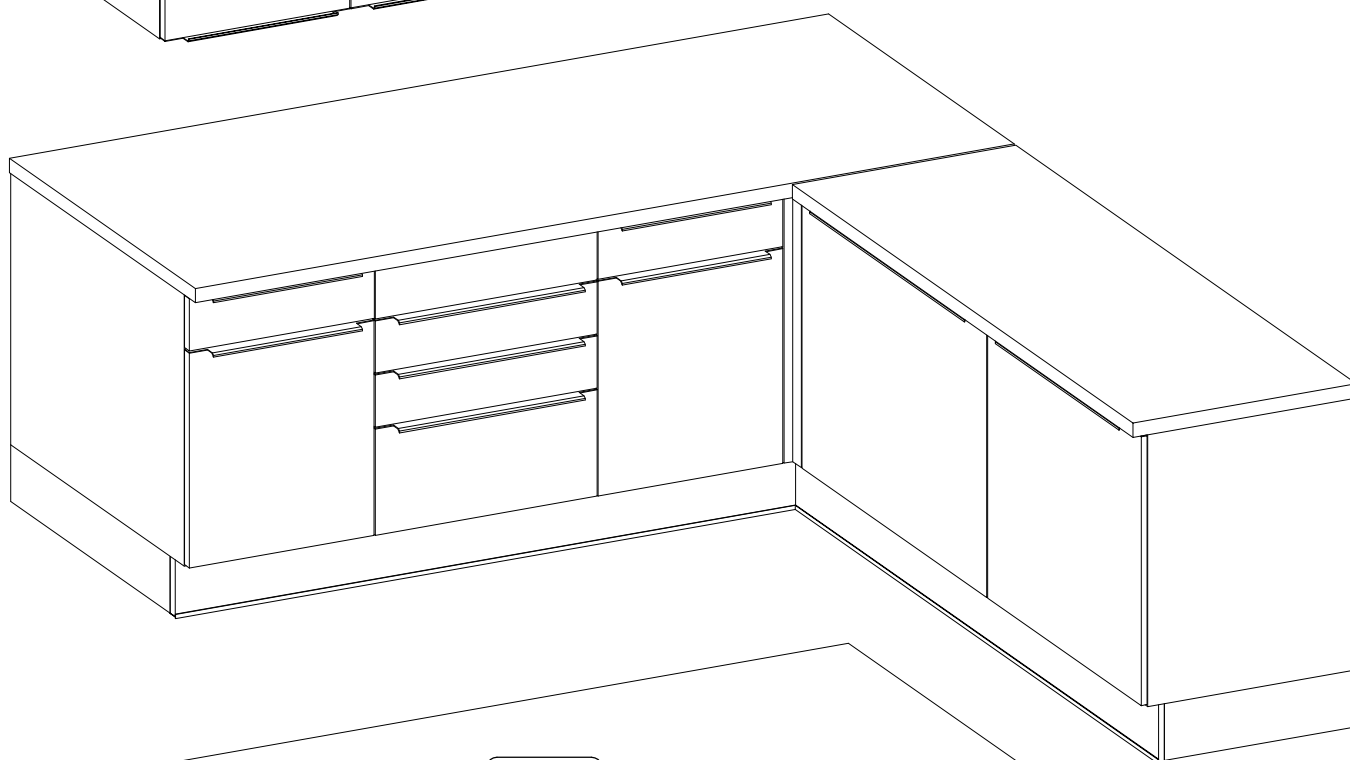
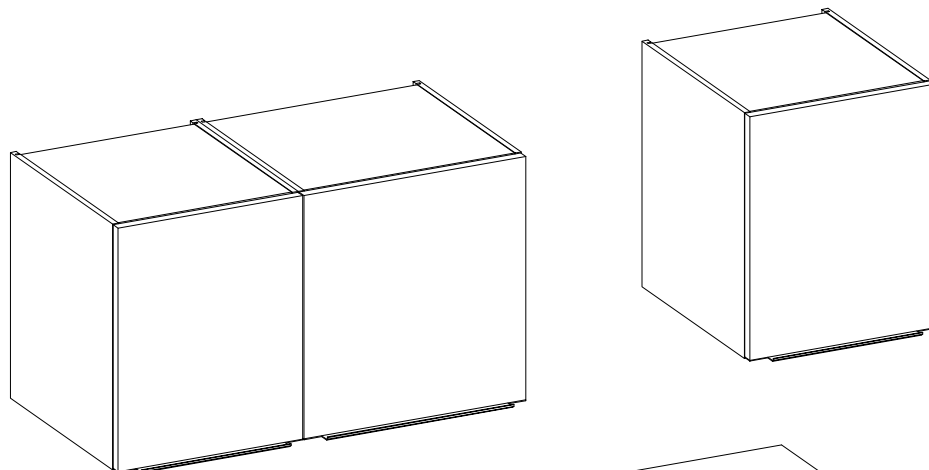
4.0x35mm	3.5x13mm
	
R3	P5
4	8



$\phi 3.0 \times 16 \text{mm}$  P11 8	L=2200mm  L36 1	 L37 2
--	--	--

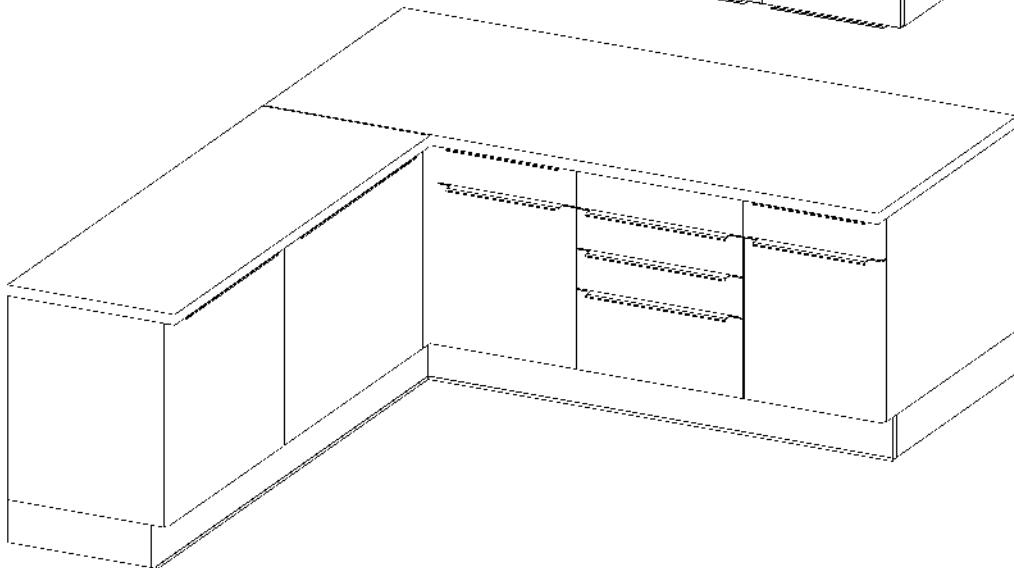
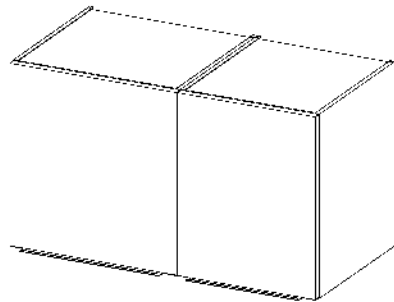
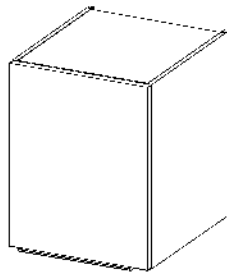
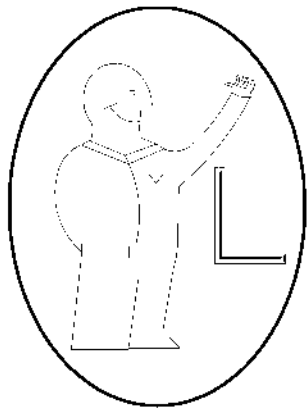
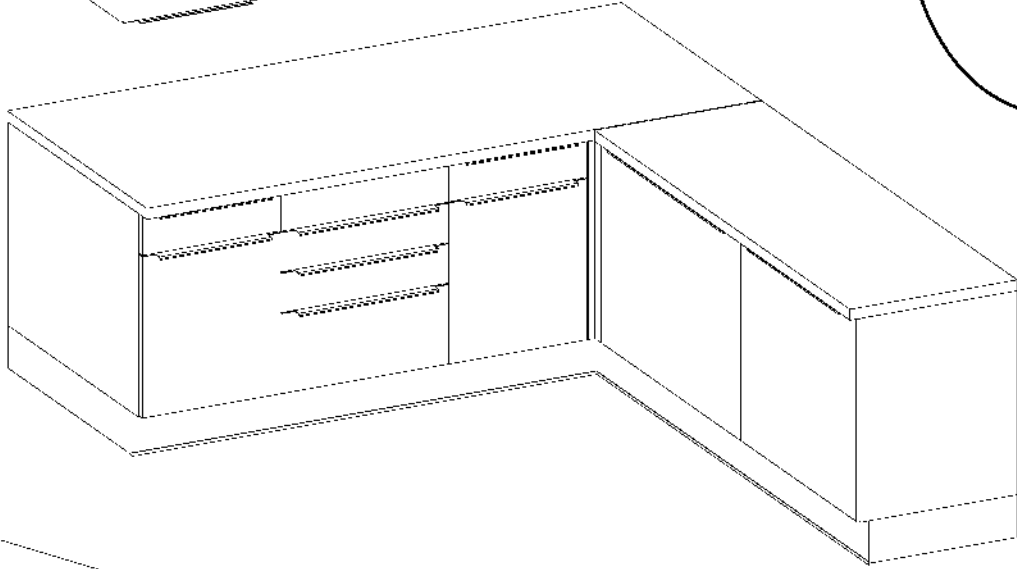
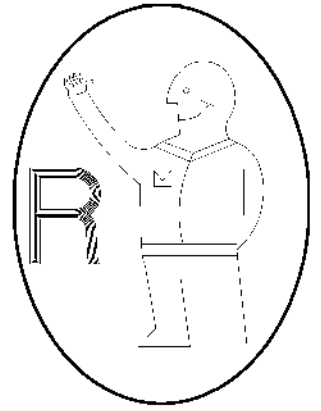
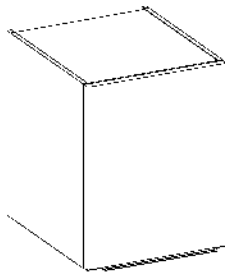
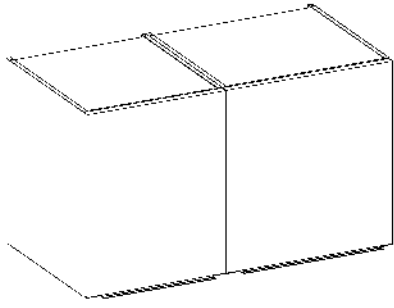


VARIANT 2



Colli	Spare Part	Dimension
Colli 2/2	KUH.20112	1100x600x38
	KUH.90258	1172x150x16

Colli	Spare Part	Dimension
Colli 6/6	KUH.20001	2200x600x38
	KUH.90215 x2	515x150x16
	KUH.90217	2199x150x16

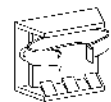


±3.5x13mm



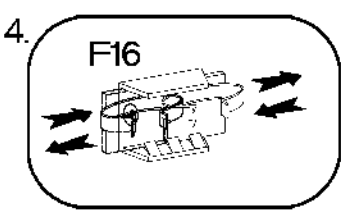
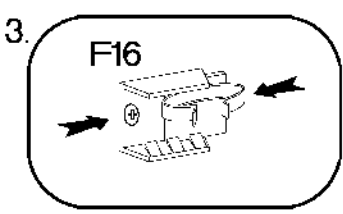
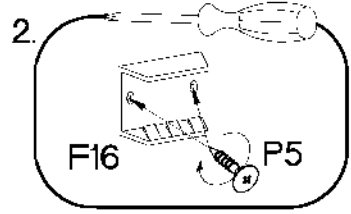
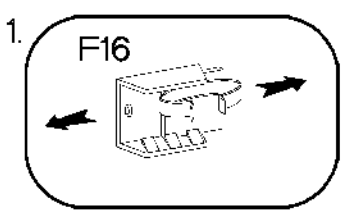
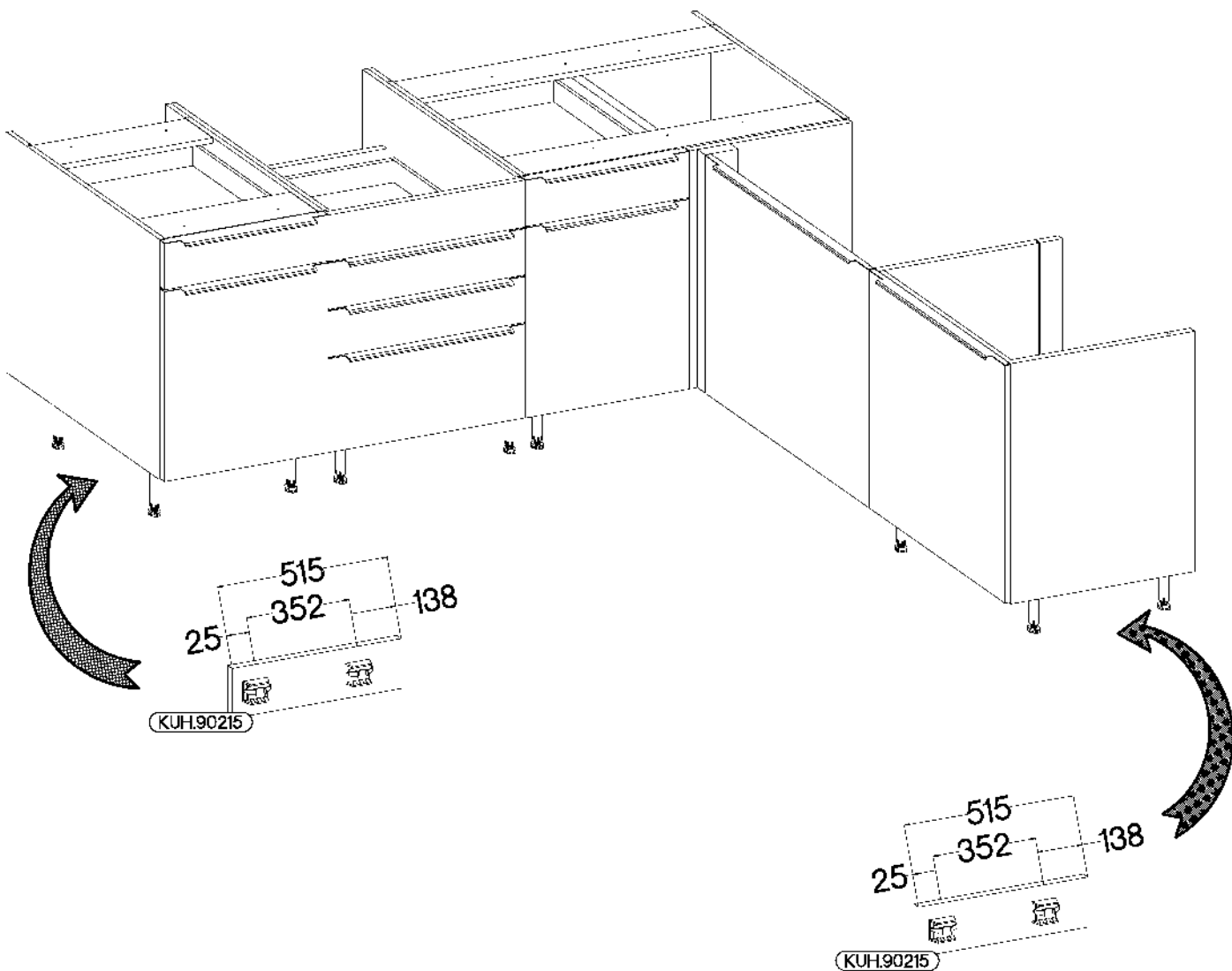
P5

8



F16

4



3.5x13mm

L=2200mm



P5

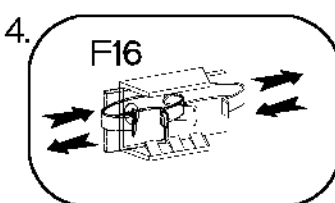
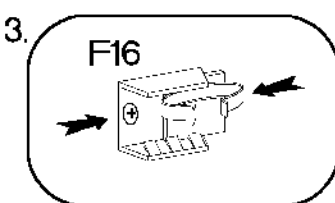
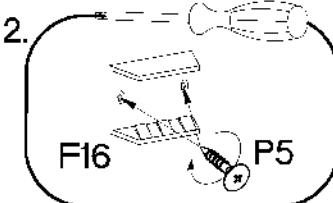
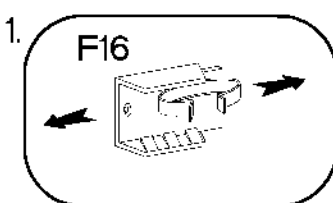
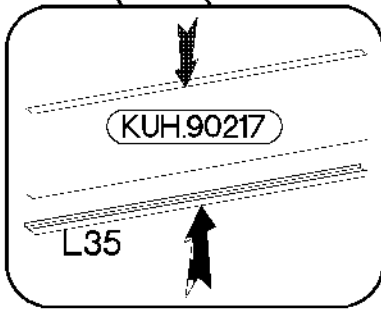
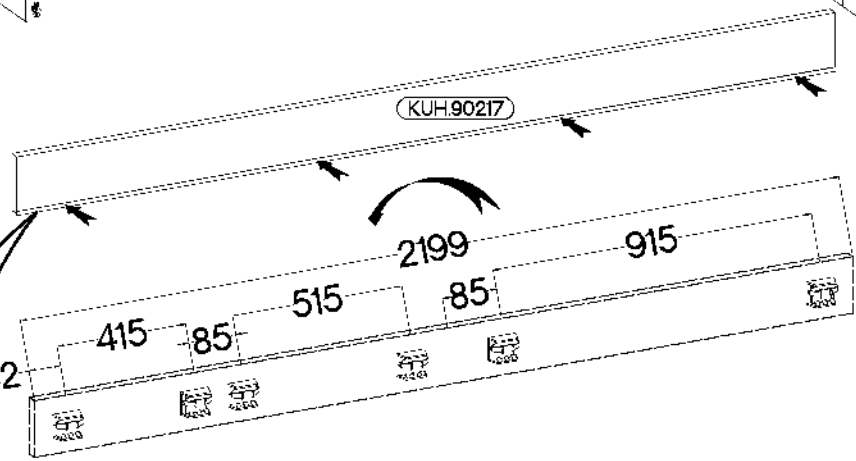
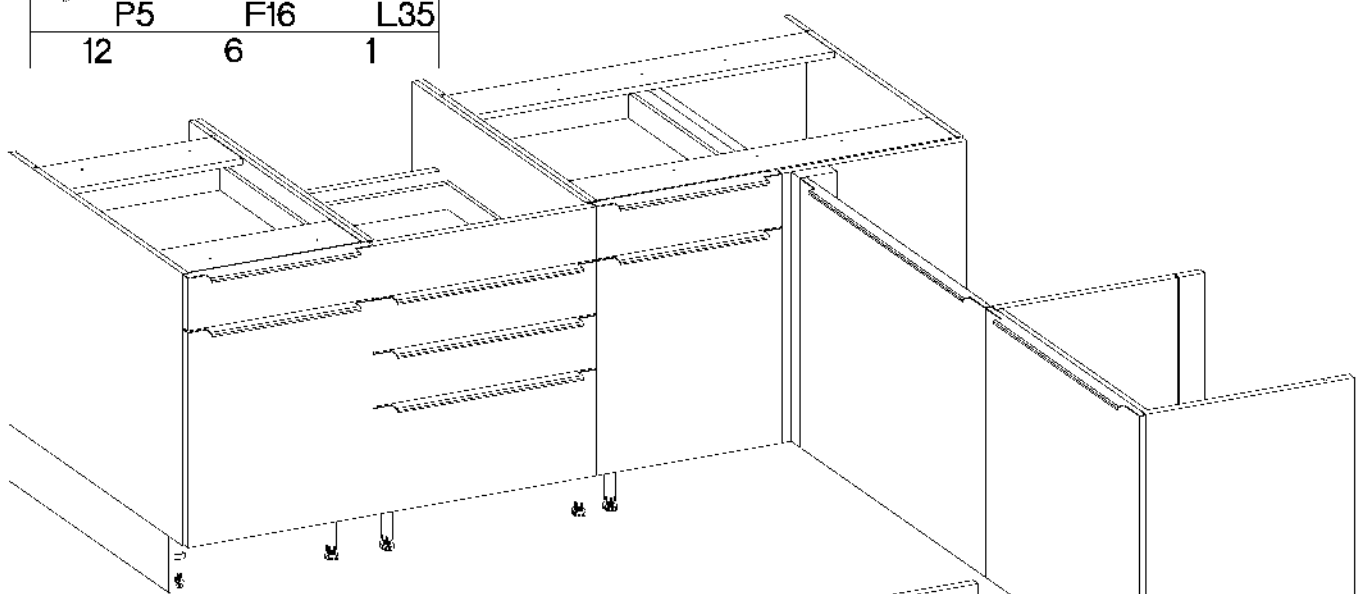
F16

L35

12

6

1



7

3.5x13mm

L=1172mm



P5

4



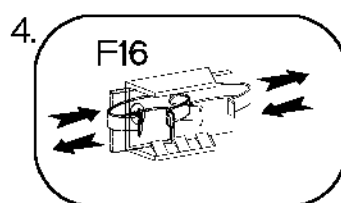
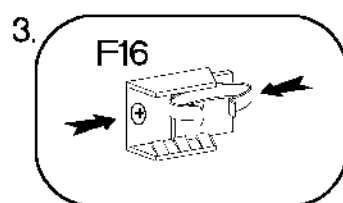
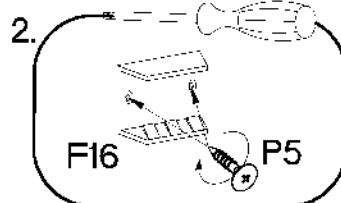
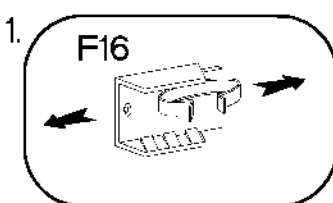
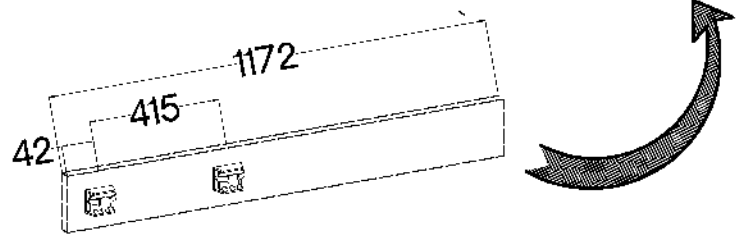
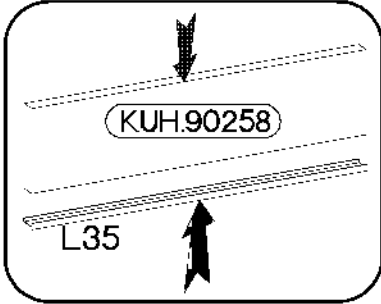
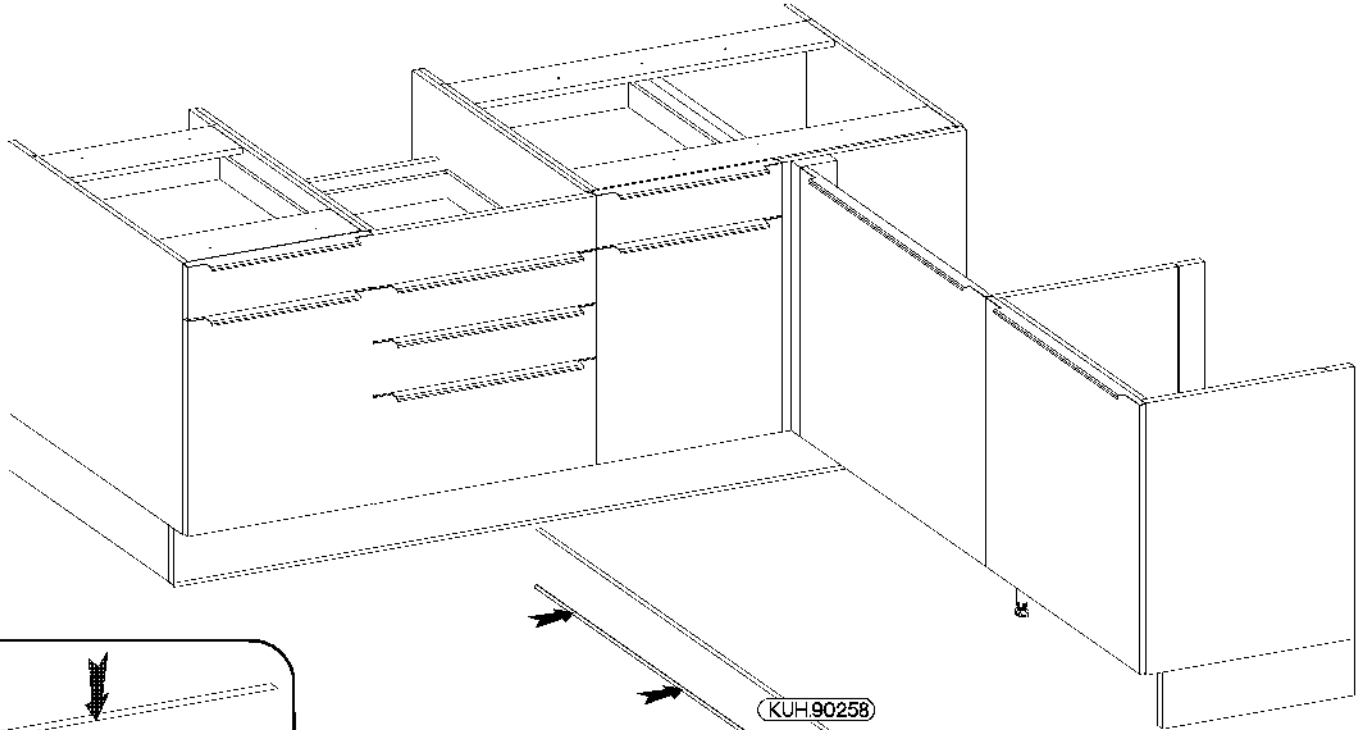
F16



2

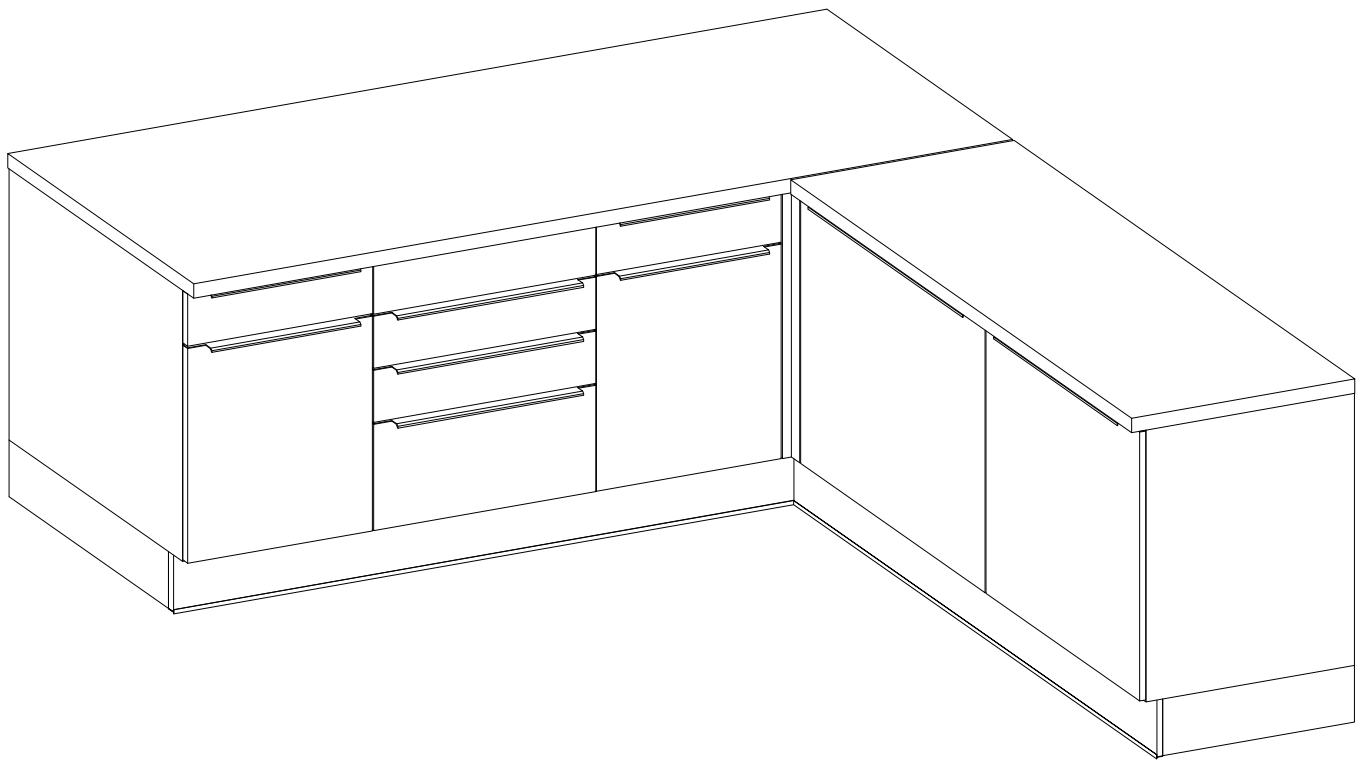
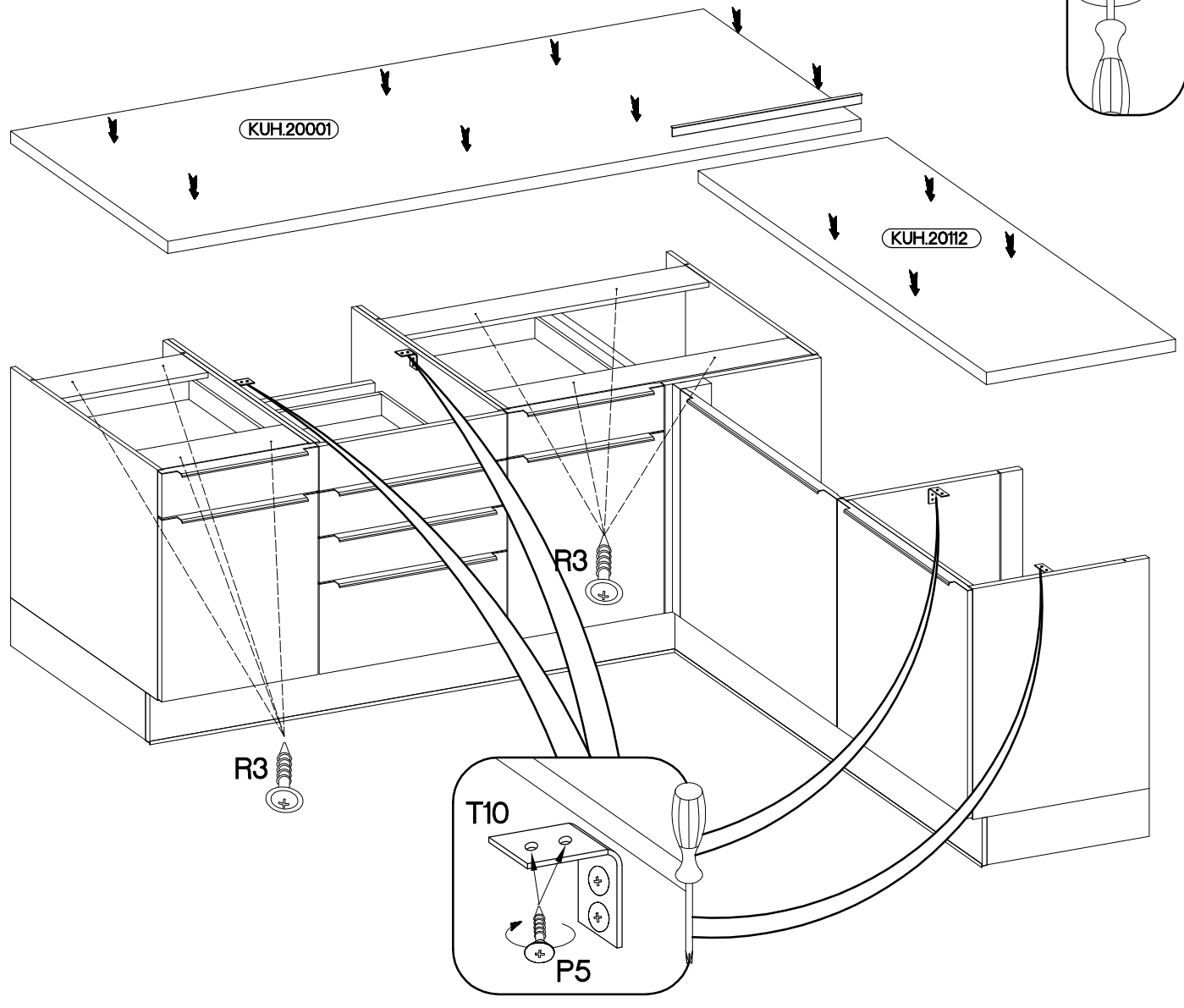
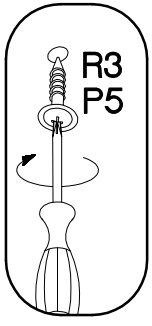


L35

1




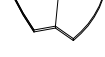


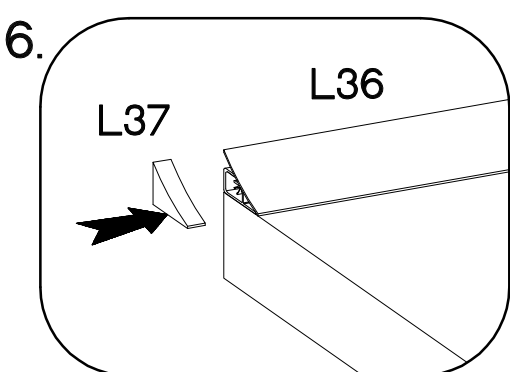
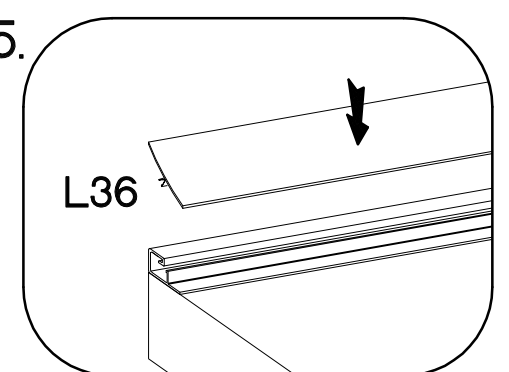
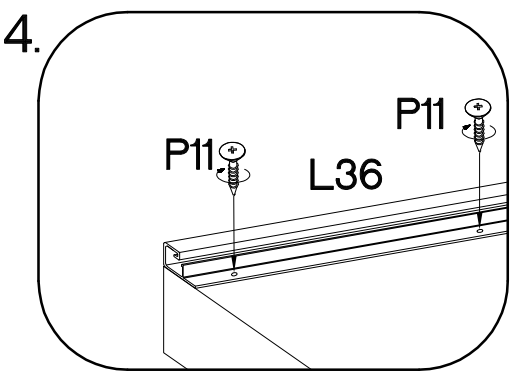
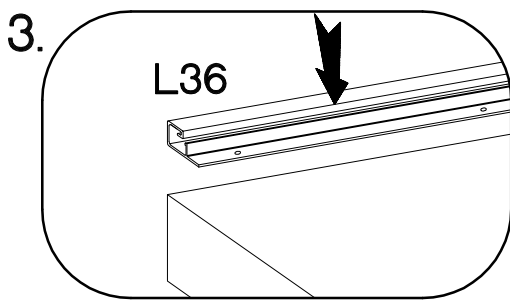
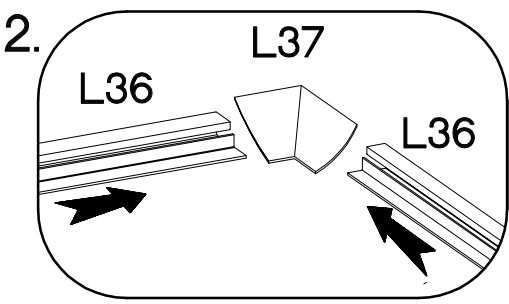
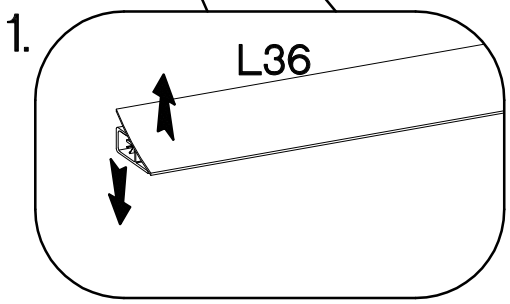
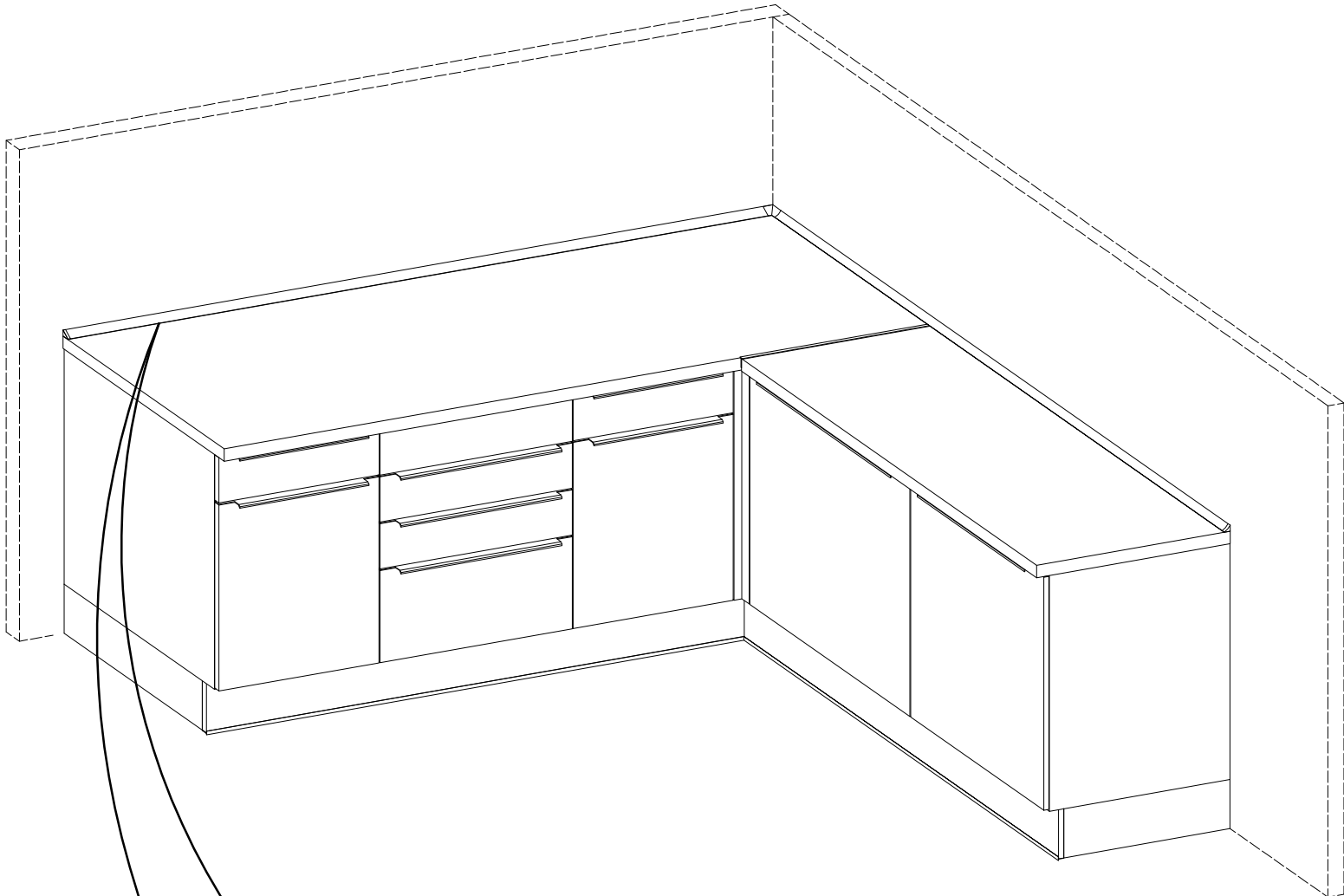
4.0x35mm	3.5x13mm
	
R3	P5
8	8



φ3.0x16mm

L=2200mm

			
P11	L36	L37	L38
14	2	2	1



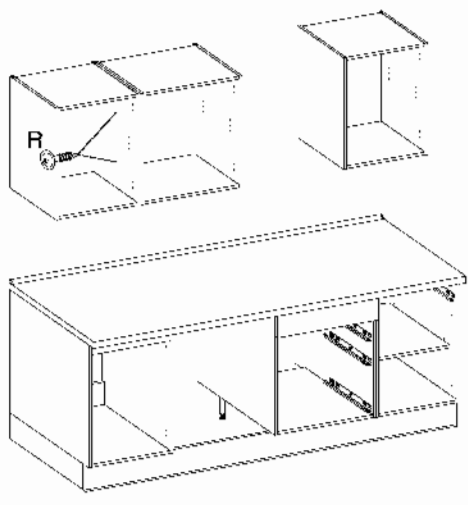
10

4.0x25mm



2

V 1

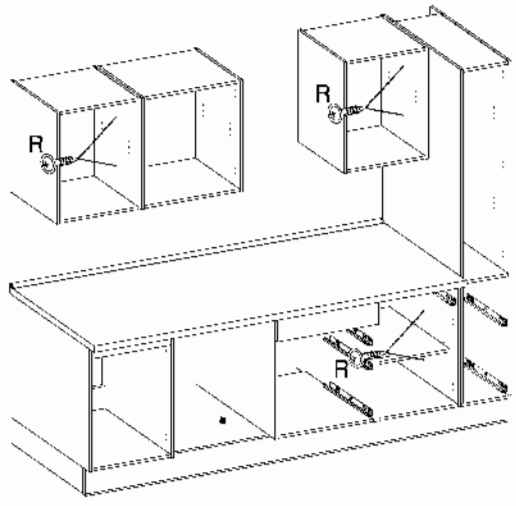


4.0x25mm



6

V 2

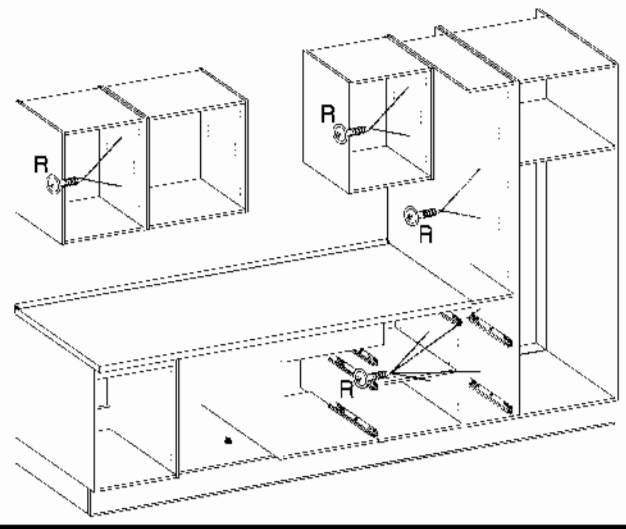


4.0x25mm



10

V 3

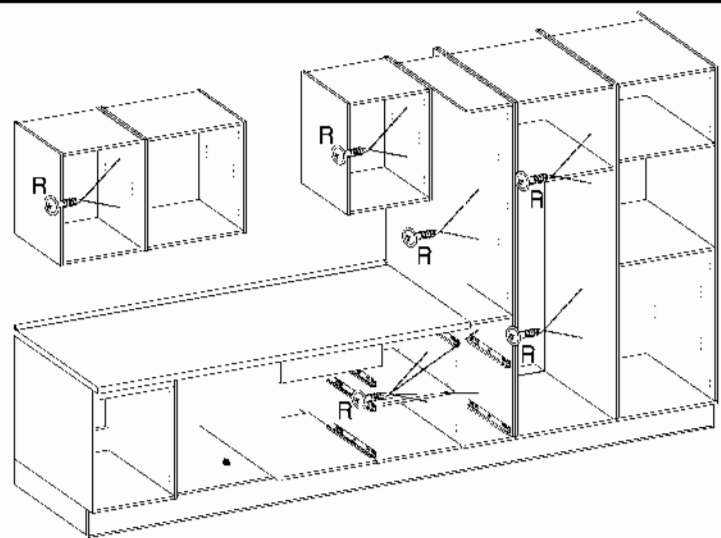


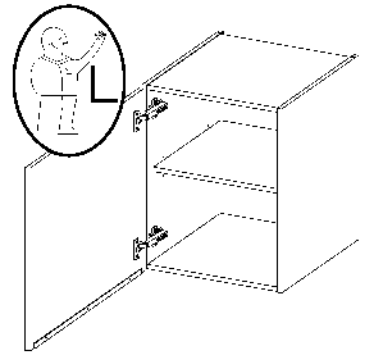
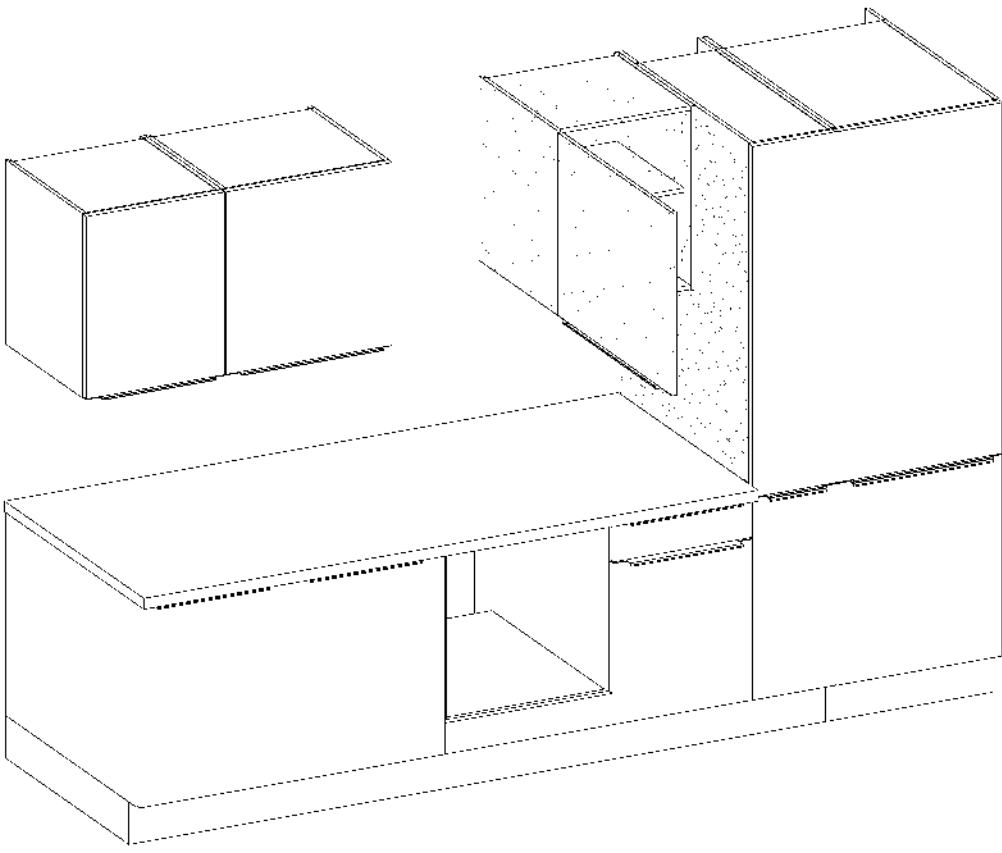
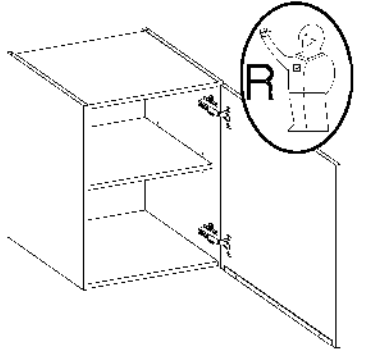
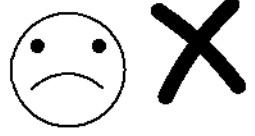
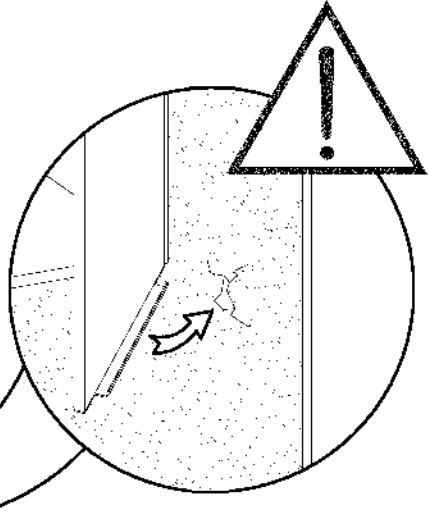
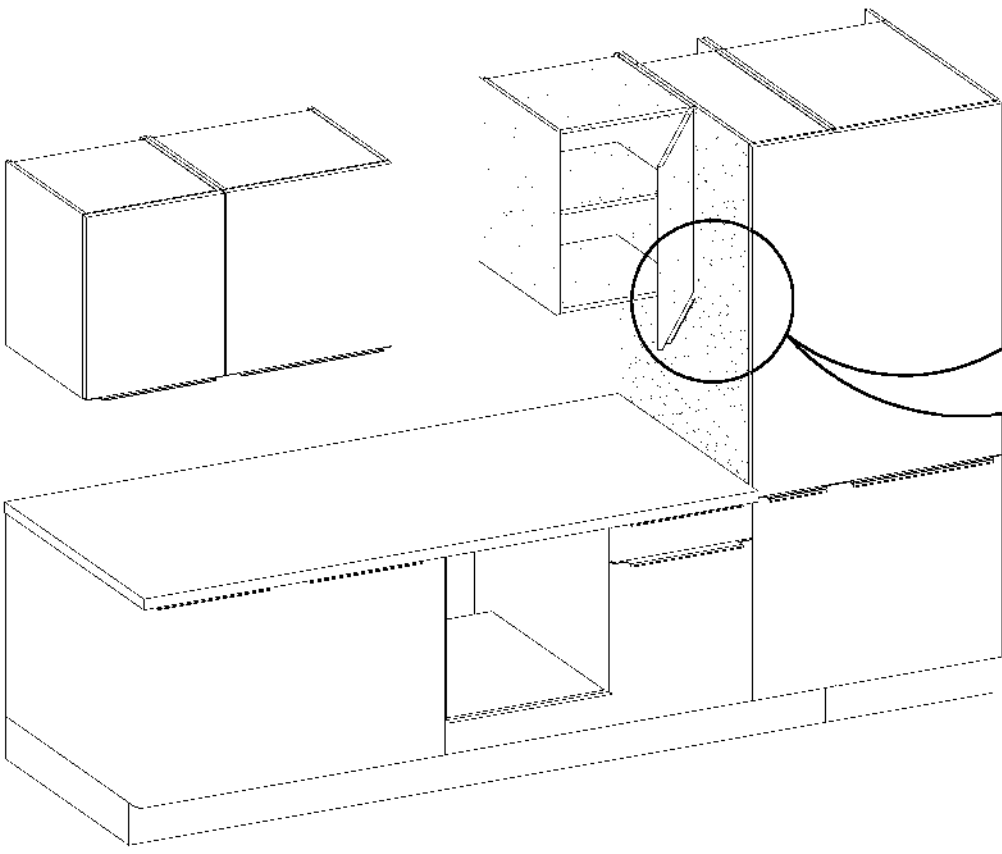
4.0x25mm

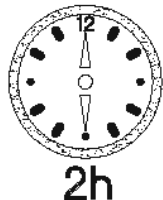
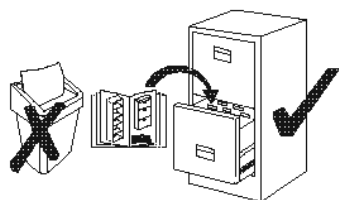
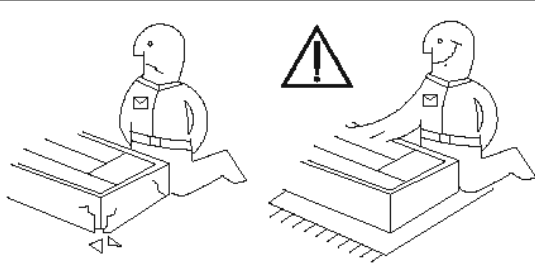
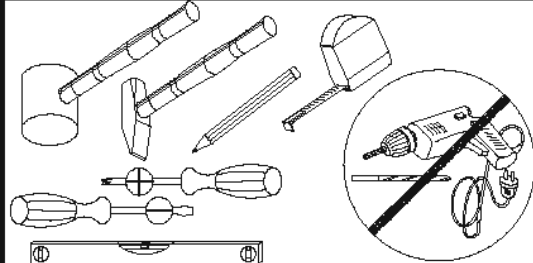
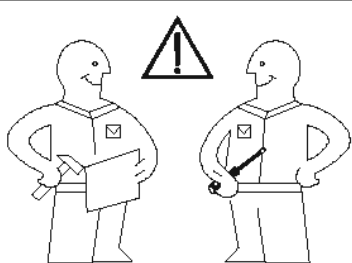


14

V 4





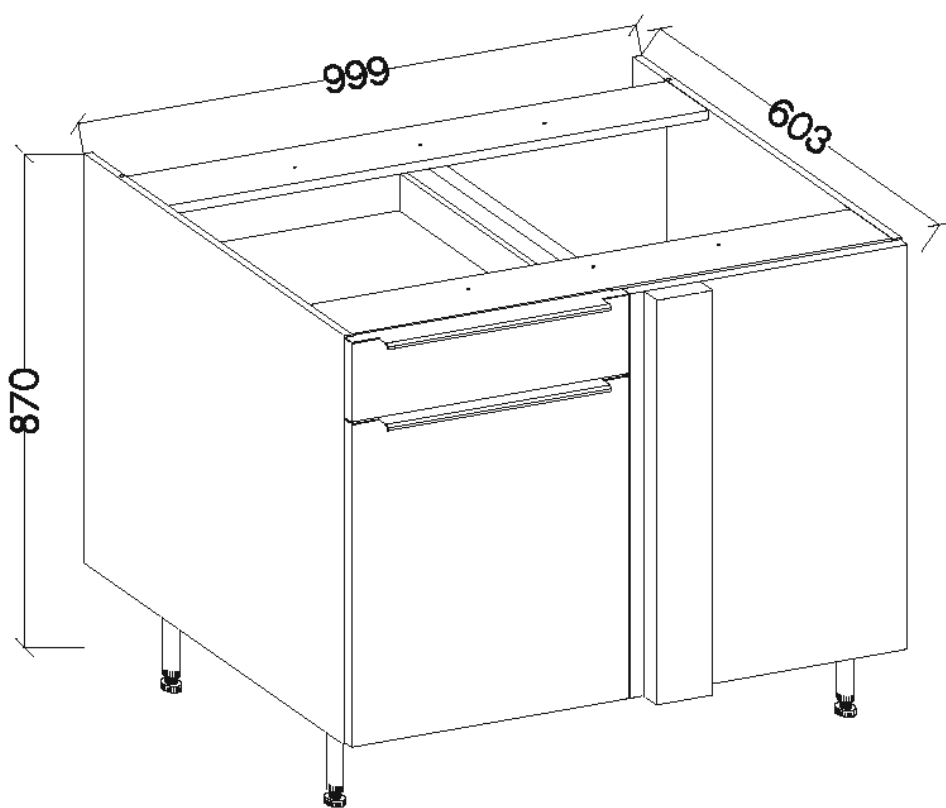





SAFADO / MARLEEN




73-156-...
73-15G-...
73-15H-...







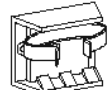

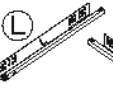


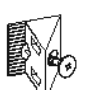

respekta®











±8x30mm  A	6,4 x 50mm  B	±6x42mm  B2
--	--	--

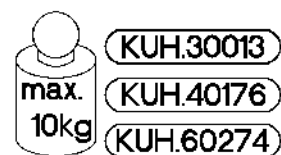
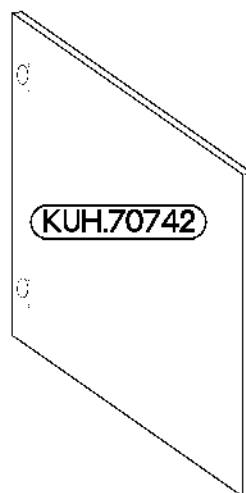
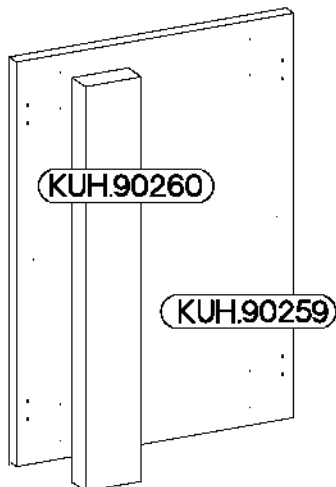
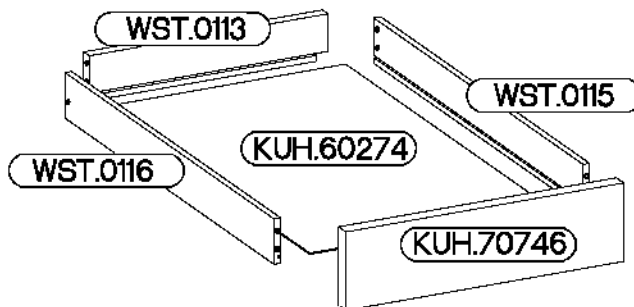
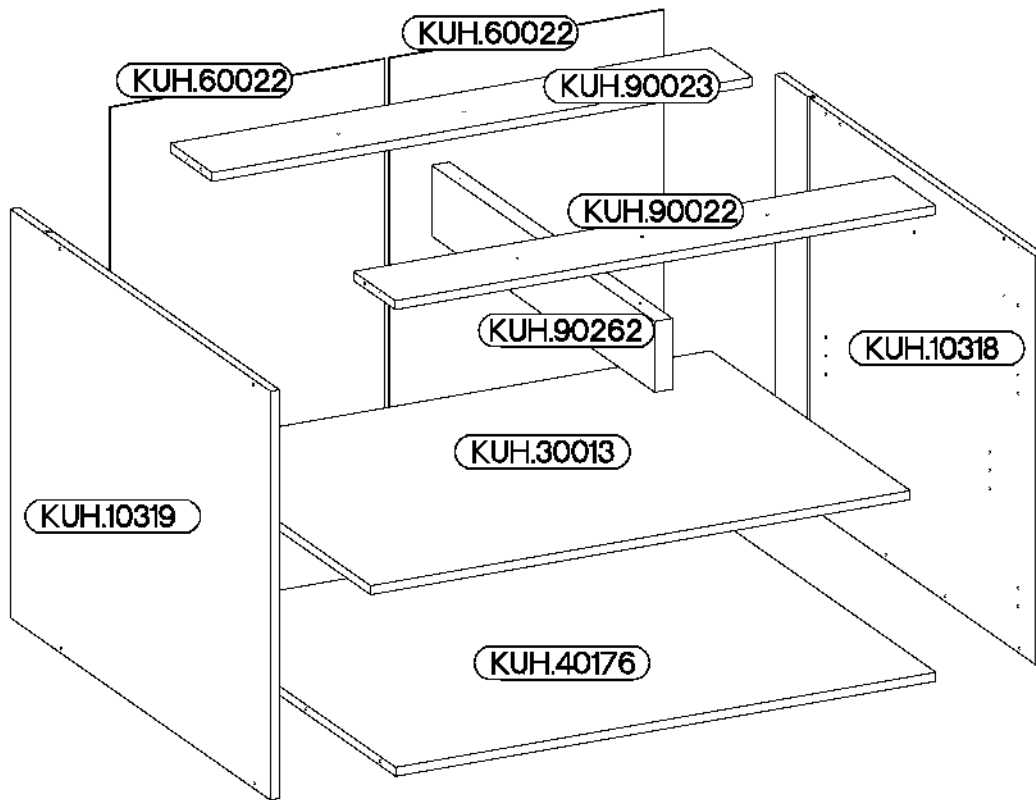
12  C5	10  D2	2  E1
--	---	--

±12/10mm  C5	L=20mm  D2	8  E1
--	---	--

 F15	 F16	 HG6	 L=450mm	 R	 J3	 L	 L=680mm
--	--	--	---	---	---	--	--

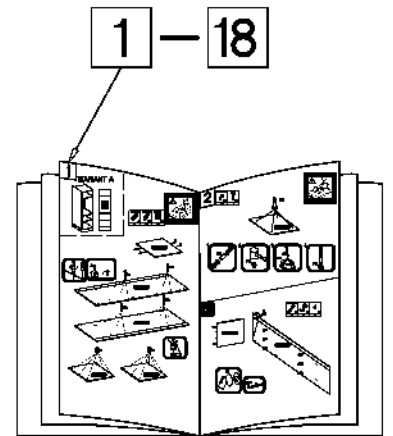
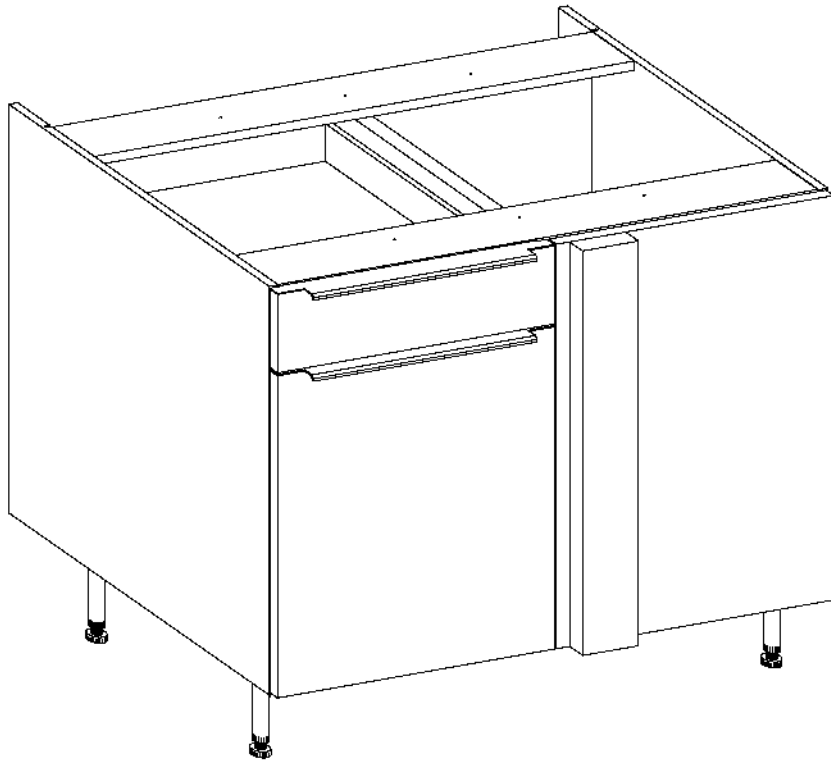
±4.0x16mm  P1	±3.5x13mm  P5	±3.0x20mm  P7	±4.0x30mm  P8	±3.0x16mm  P11	±4.0x35mm  R3	L=495mm  SL50	 T3
--	--	--	--	---	--	--	---

ISM-KUH-01596

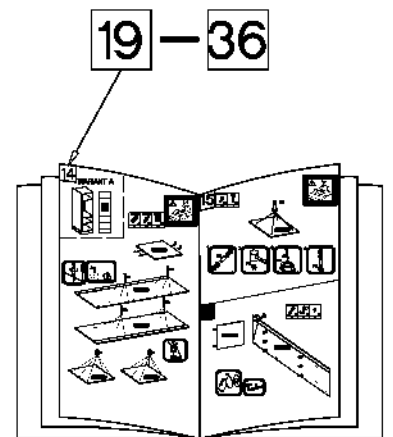
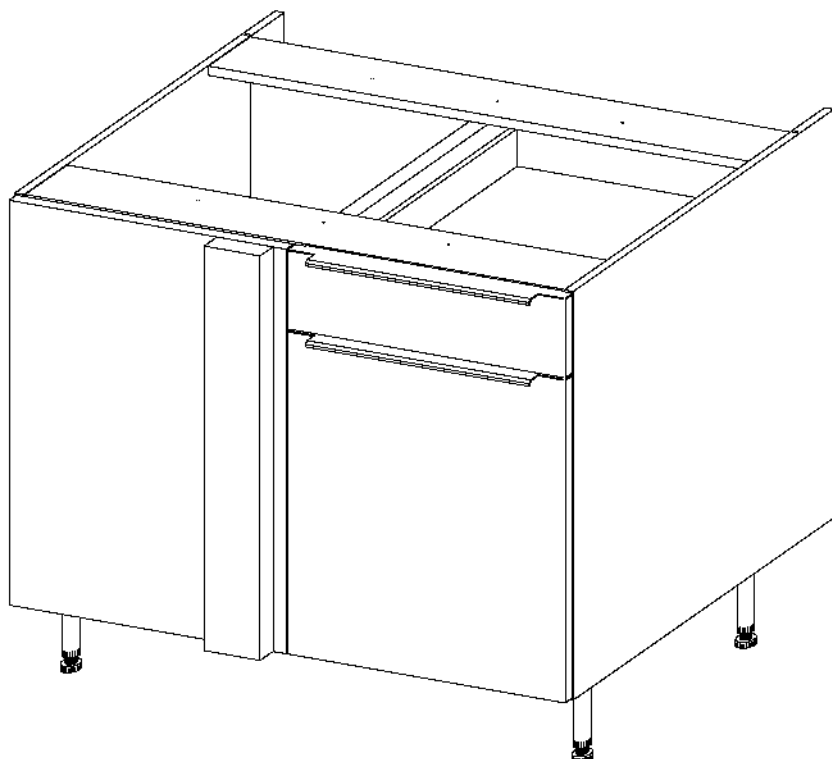


Colli	Spare Part	Dimension
Colli 1/2	KUH.10318	720x560x16
	KUH.10319	720x560x16
	KUH.30013	966x430x16
	KUH.40176	967x485x16
	KUH.60022 x2	713x491x2,5
	KUH.60274	448x437x2,5
	KUH.70742	568x496x16
	KUH.70746	138x496x16
	KUH.90259	713x496x16
	KUH.90260	713x100x28
	KUH.90262	480x125x32
	WST.0113	427x80x12
	WST.0115	450x80x12
WST.0116	450x80x12	
Colli 2/2	KUH.90022	967x90x16
	KUH.90023	967x90x16

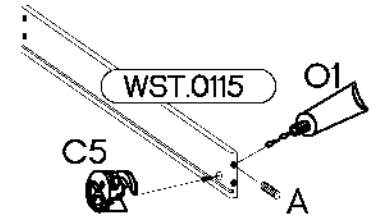
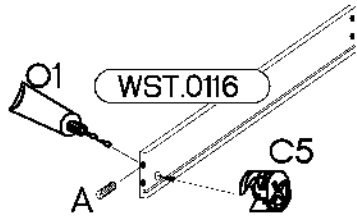
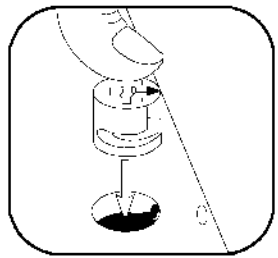
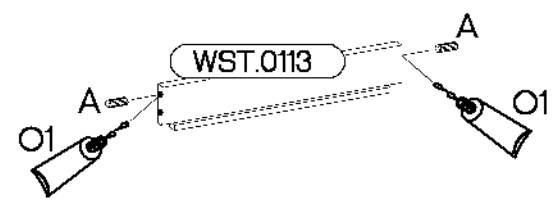
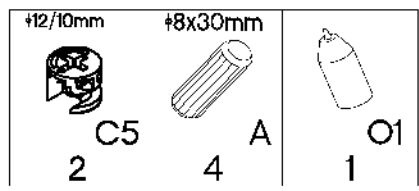
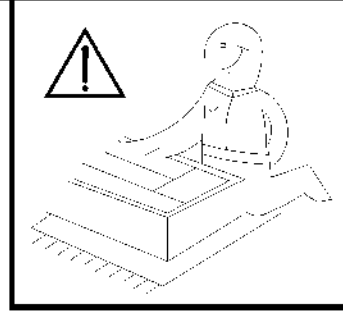
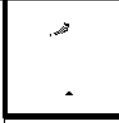
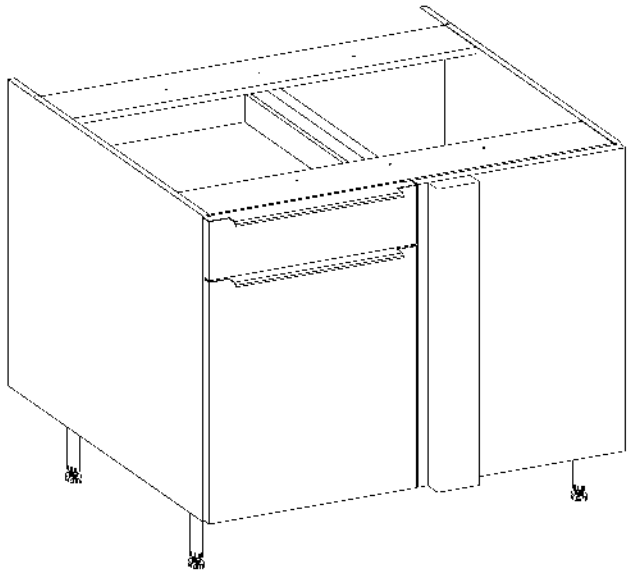
VARIANT L



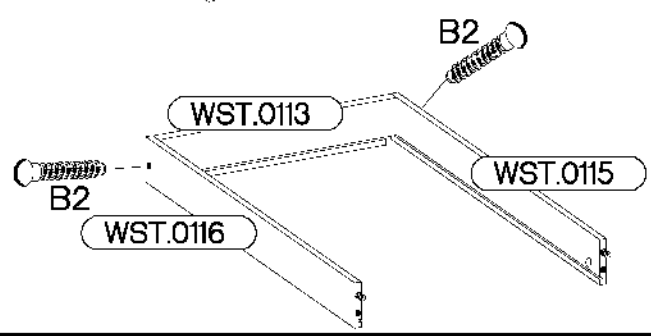
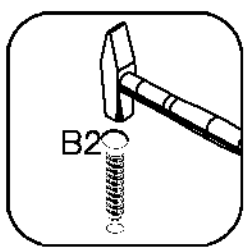
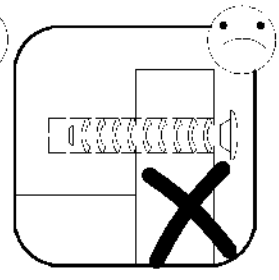
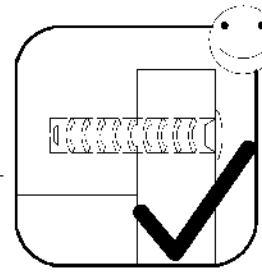
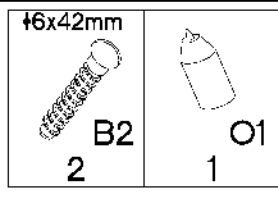
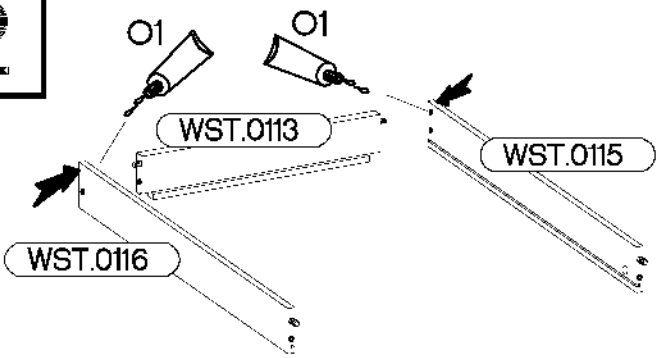
VARIANT R



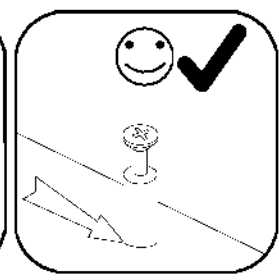
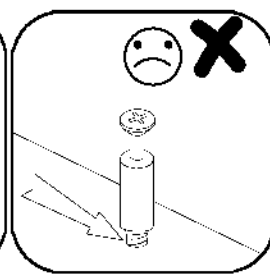
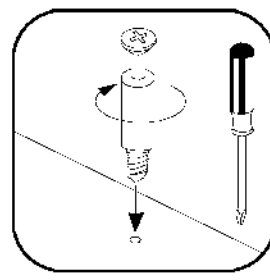
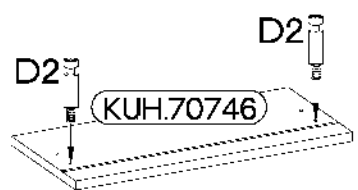
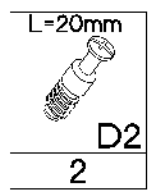
VARIANT L



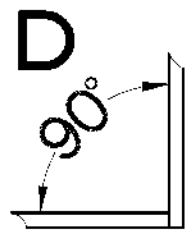
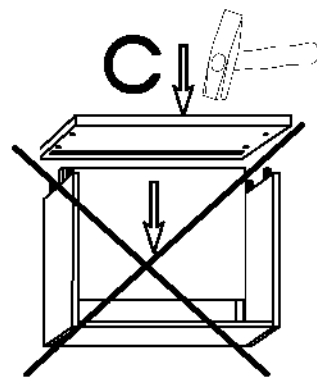
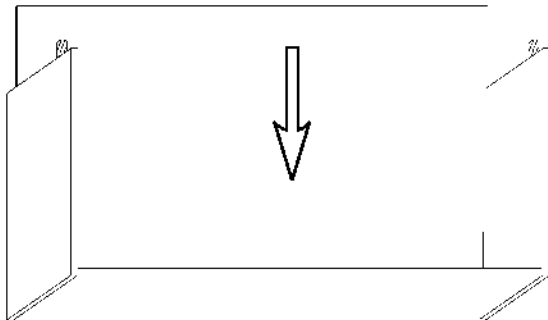
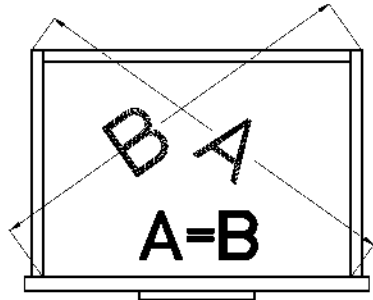
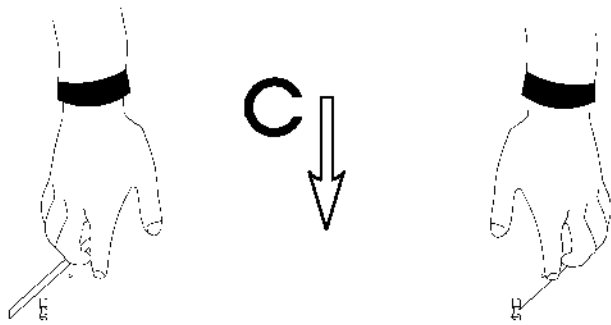
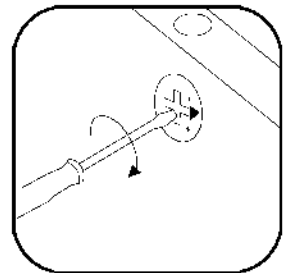
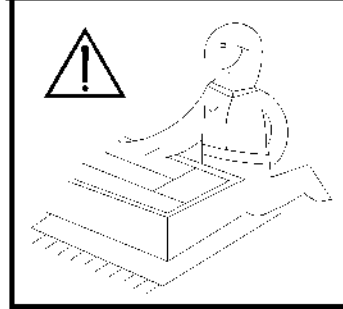
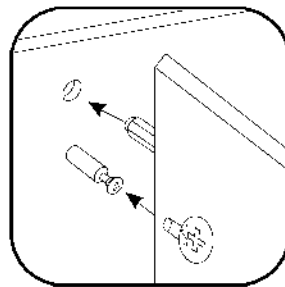
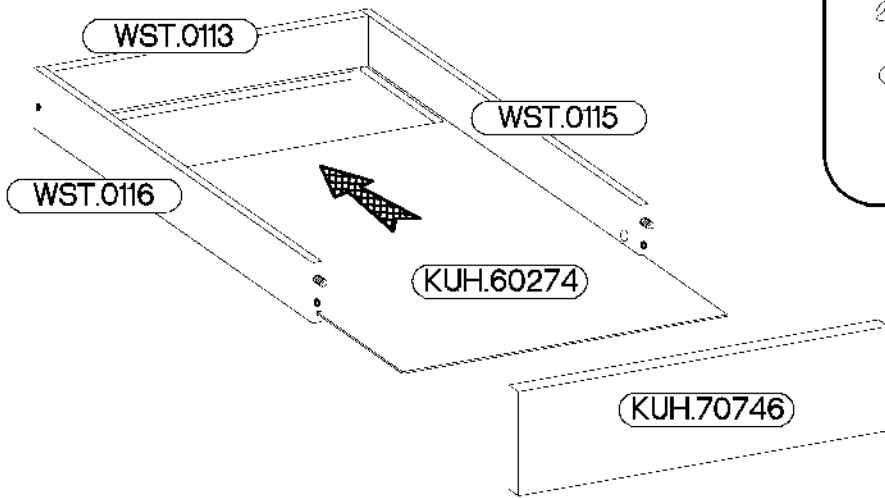
2



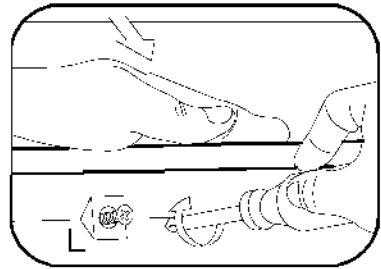
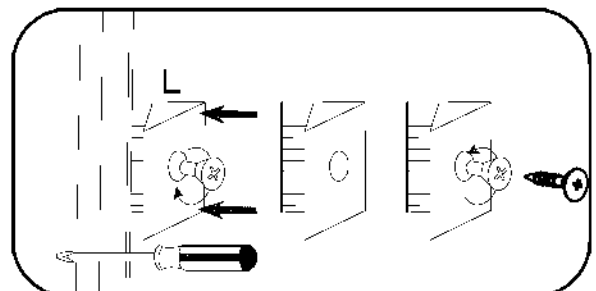
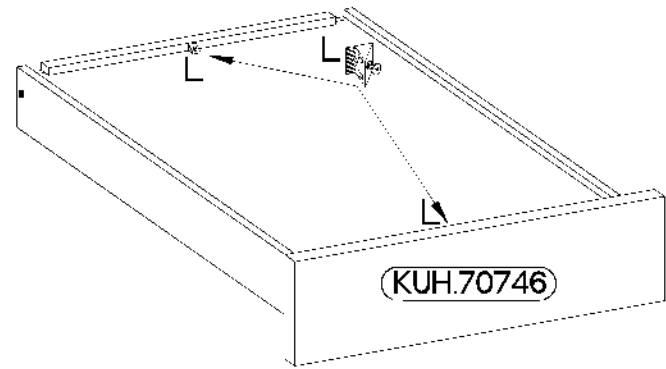
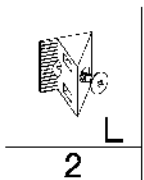
3



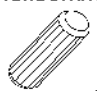

4

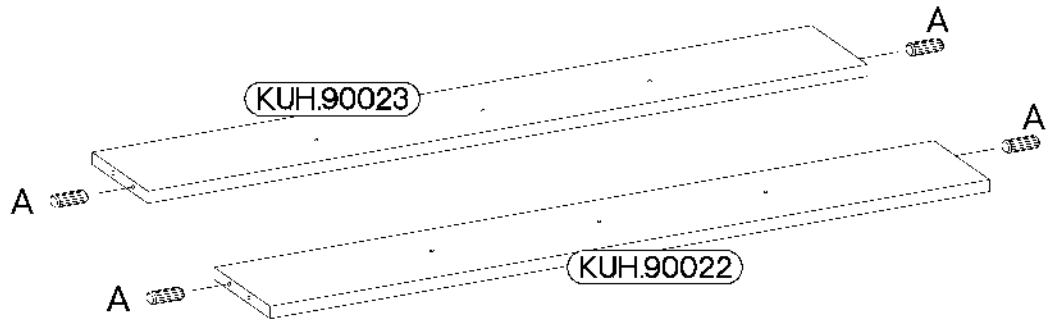
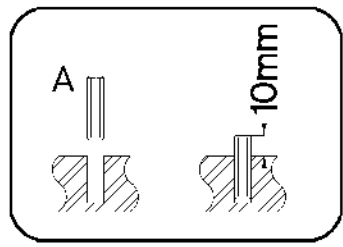
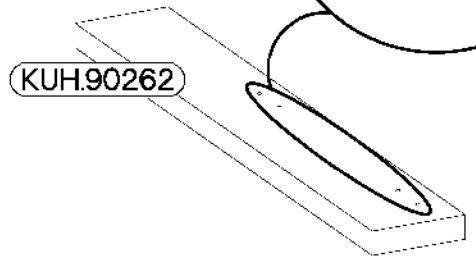
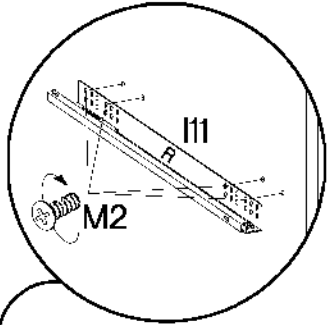
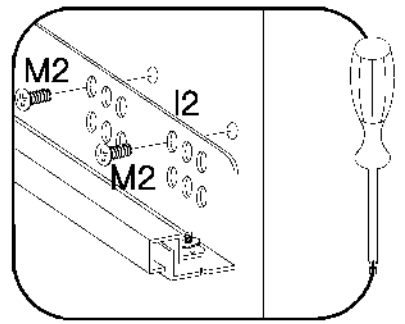
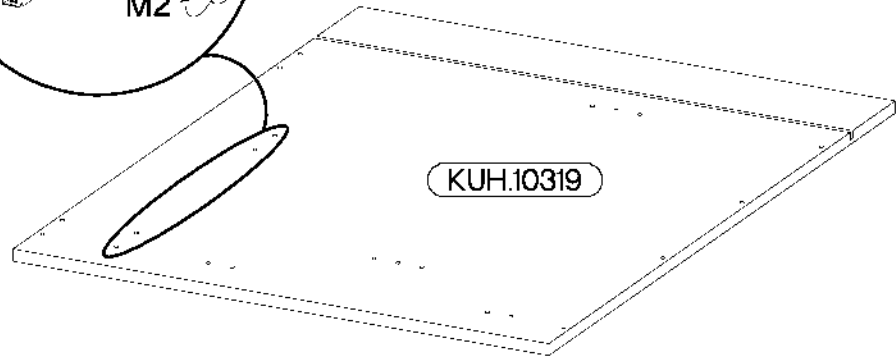
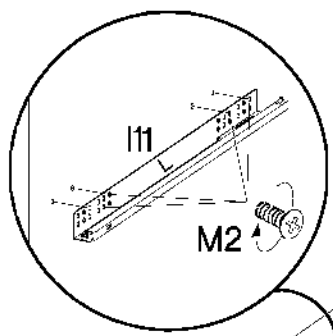
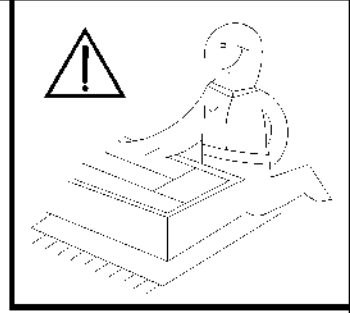


5





$\varnothing 8 \times 30 \text{mm}$ 	$\varnothing 6.3 \times 13 \text{mm}$ 	
A L=450mm 4	I11 R 1	M2 8





φ3.5x13mm



P5

16



F15

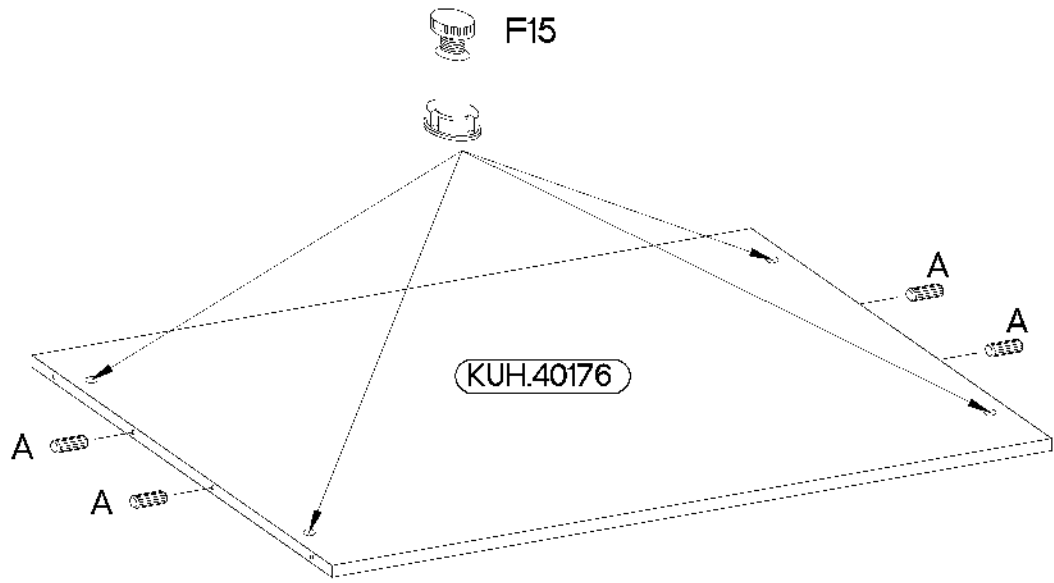
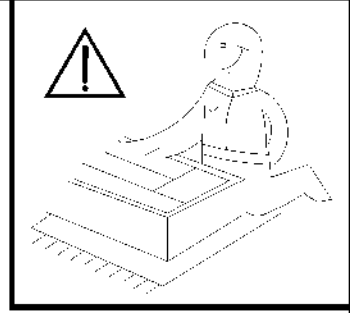
4

φ8x30mm

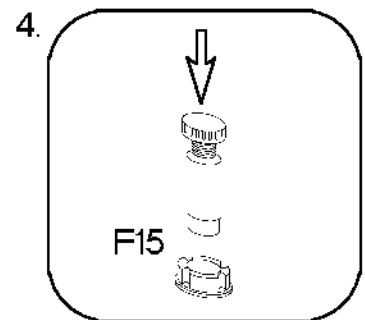
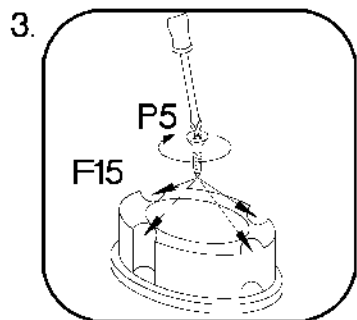
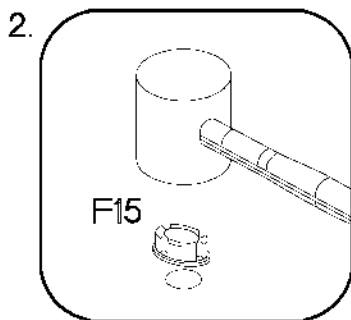
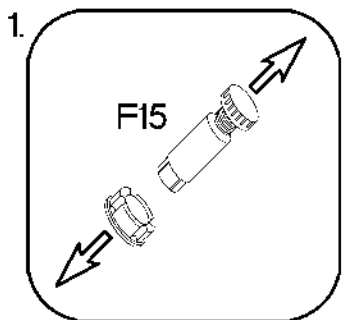
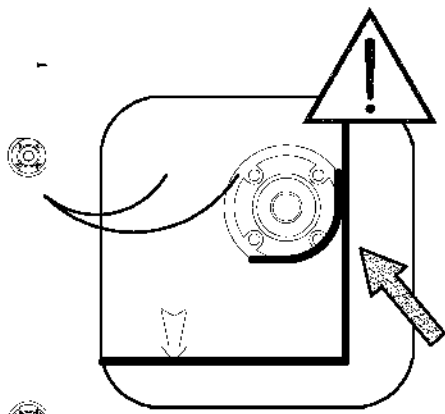


A

4



967





6,4 x 50mm



B

4



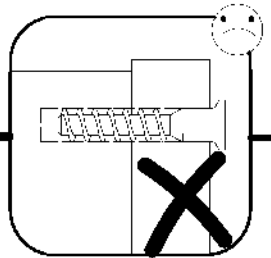
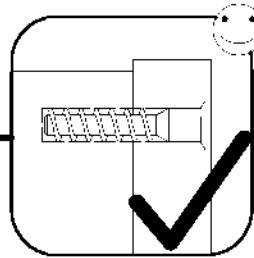
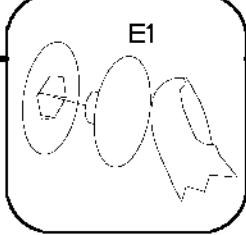
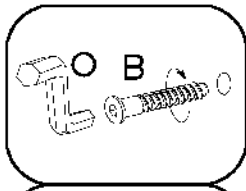
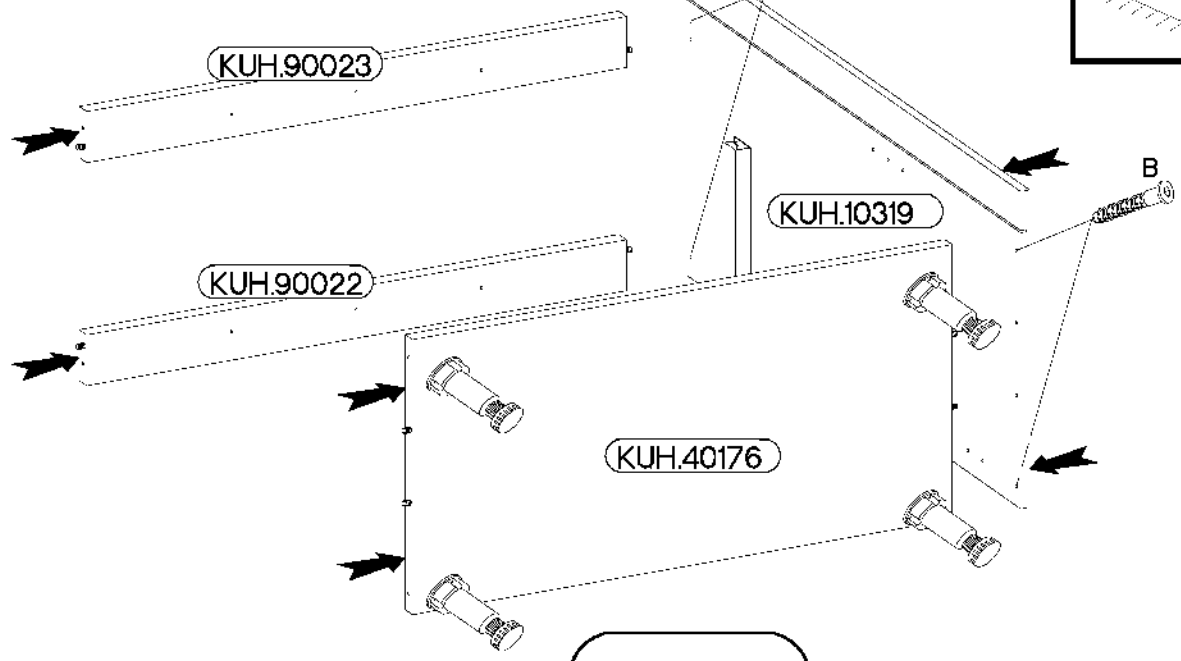
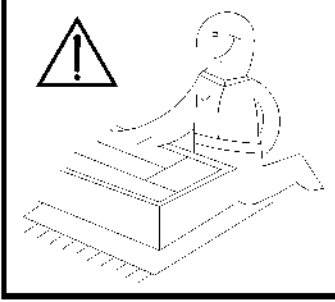
O

1



E1

4



6,4 x 50mm



B

4



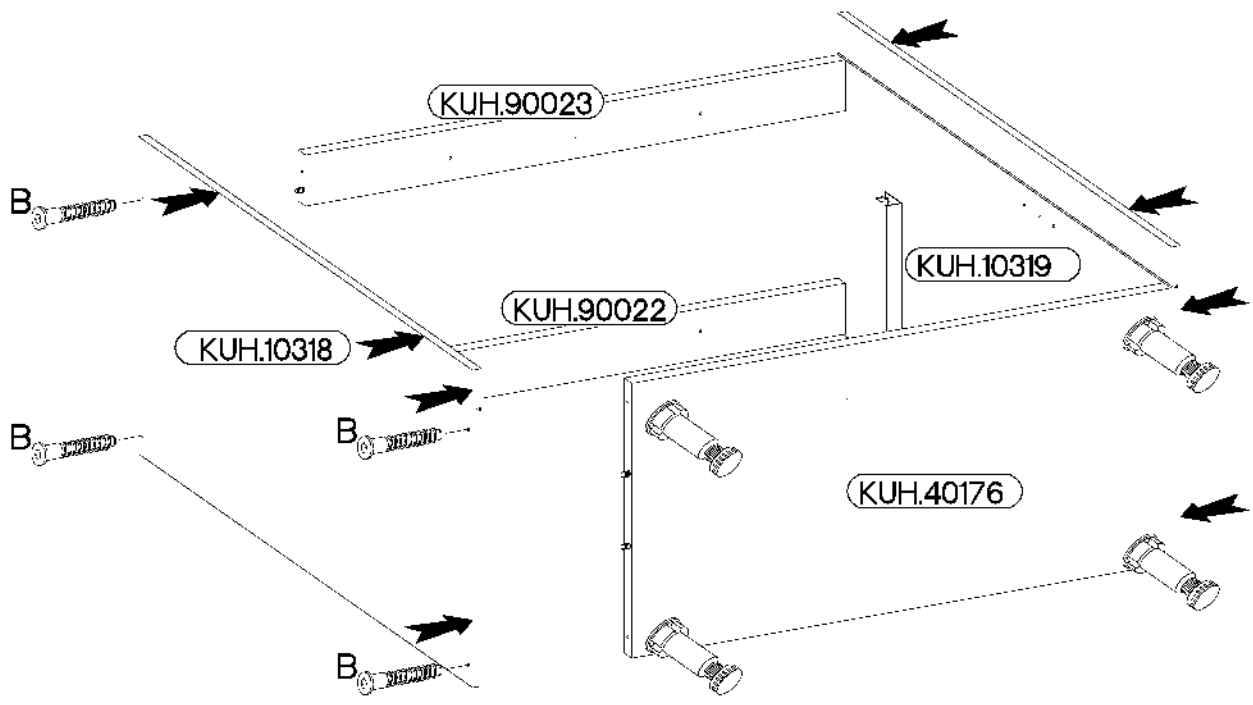
O

1



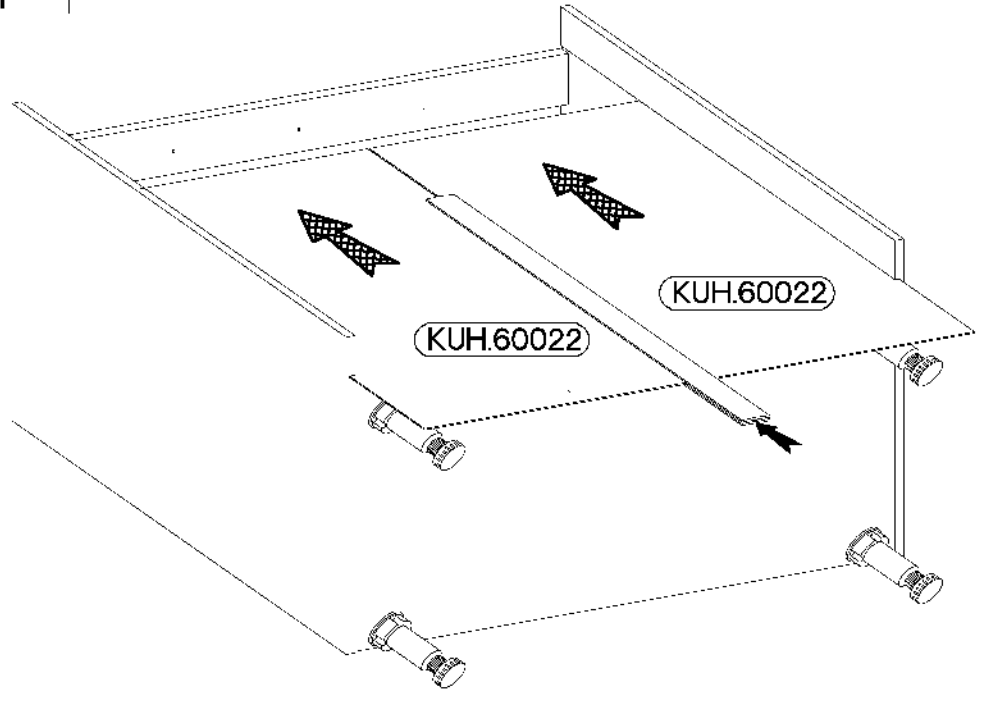
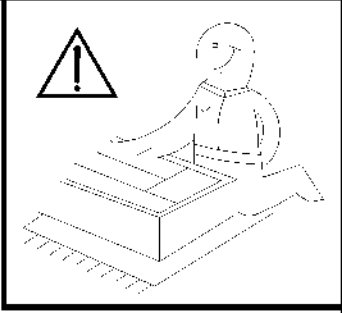
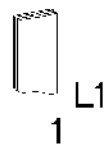
E1

4



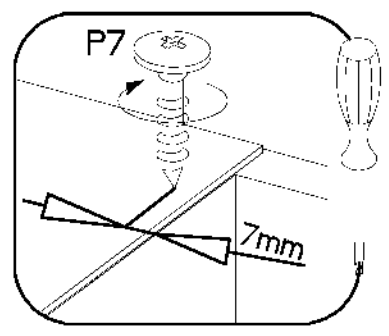
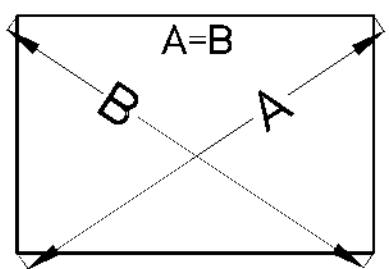
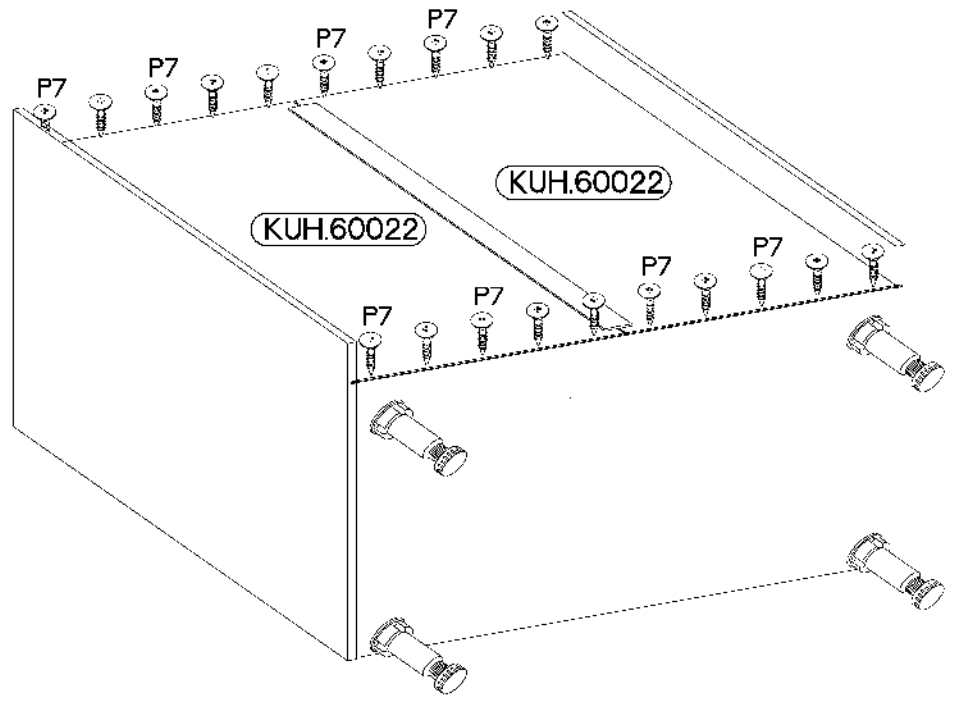
10

L=680mm

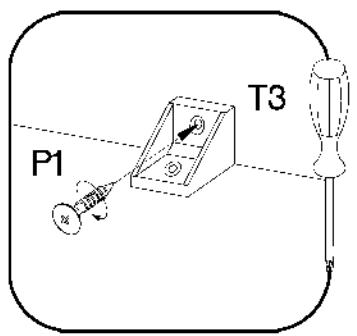
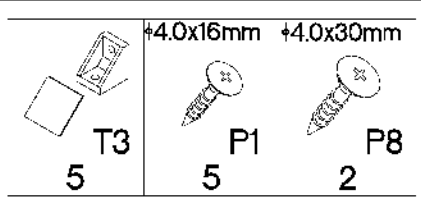


11

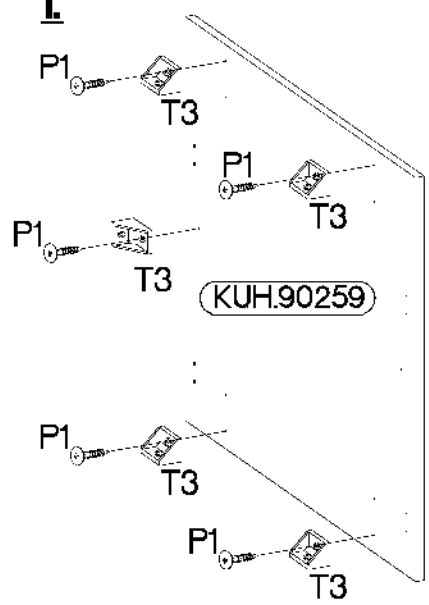
3.0x20mm



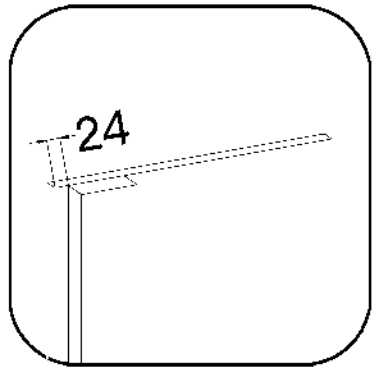
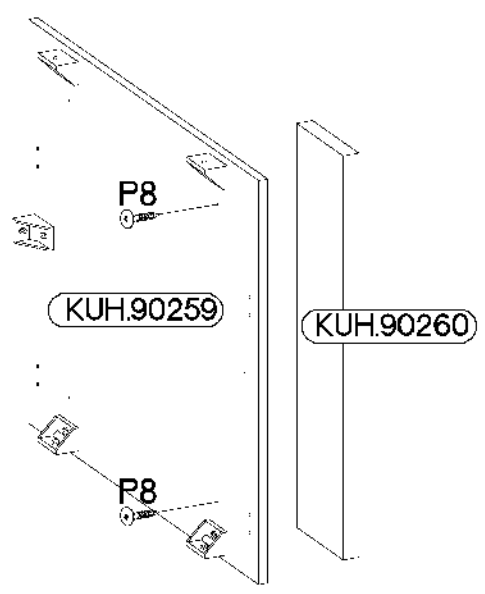
2



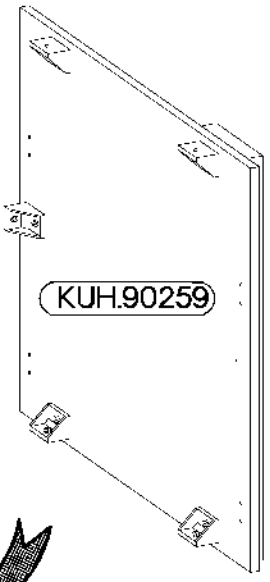
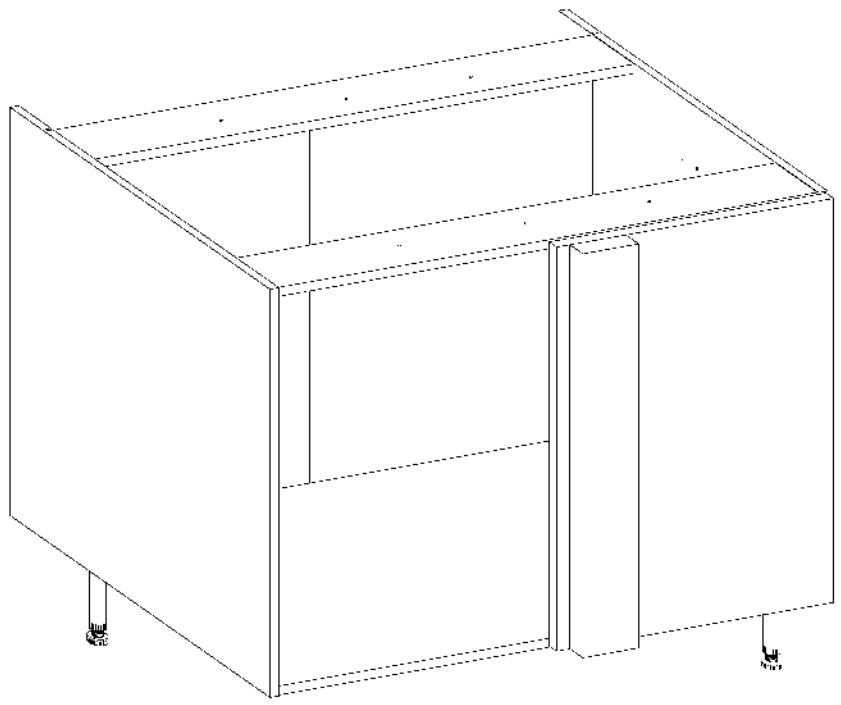
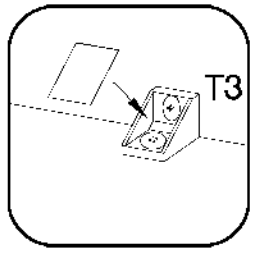
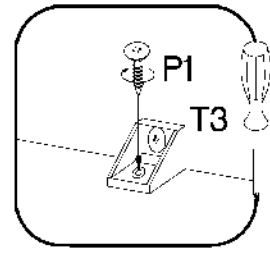
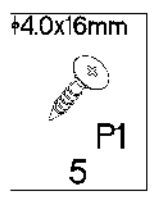
1



2



3



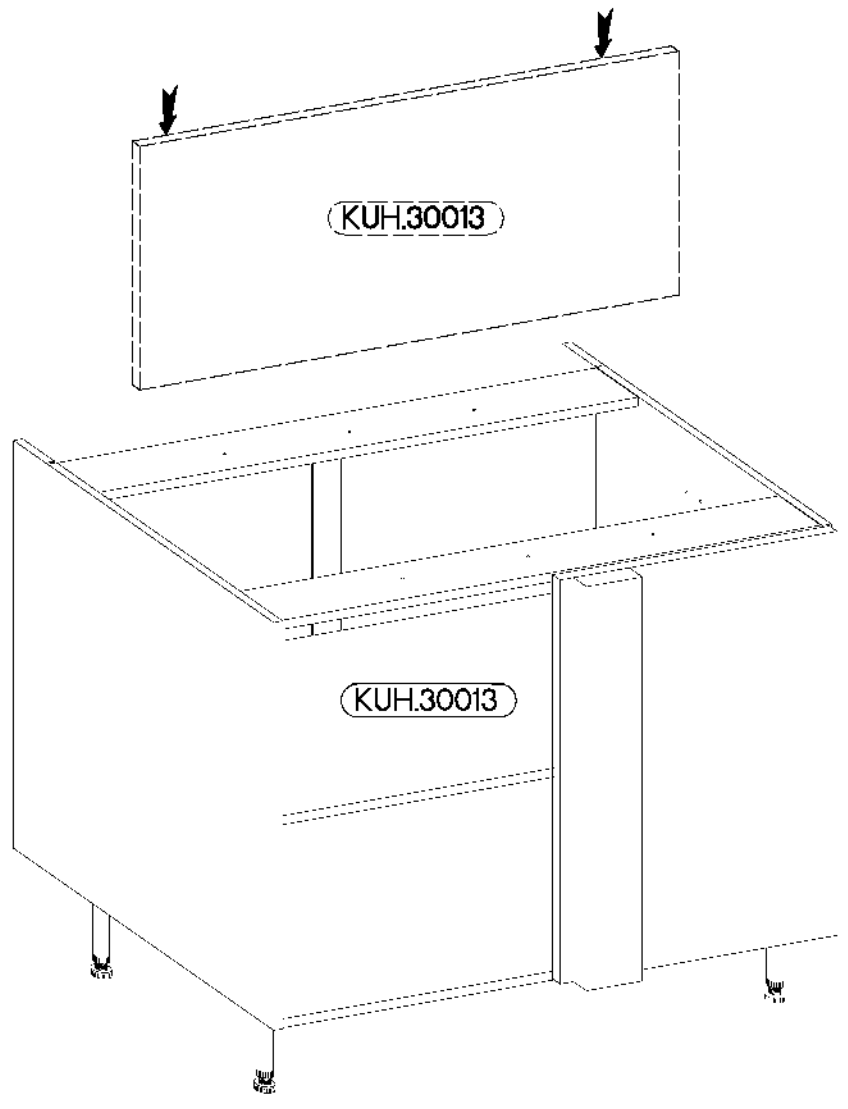
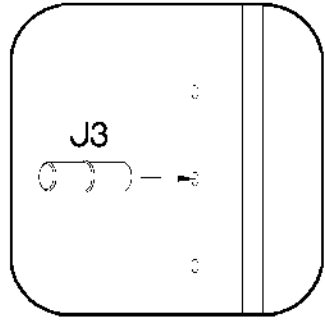
14

±5/16mm



J3

4



15

6,4 x 50mm



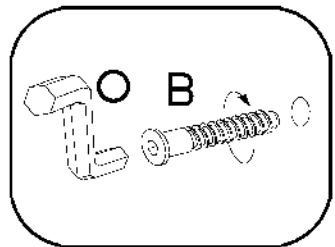
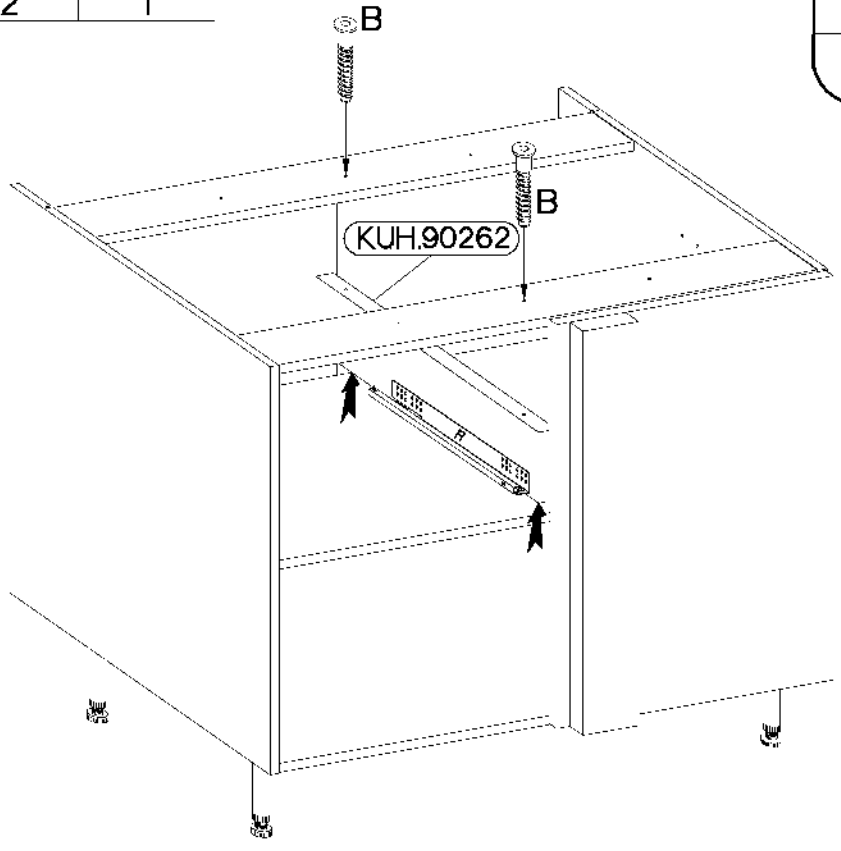
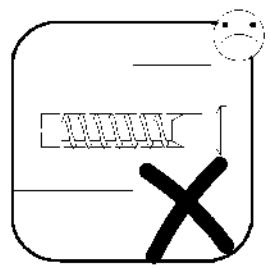
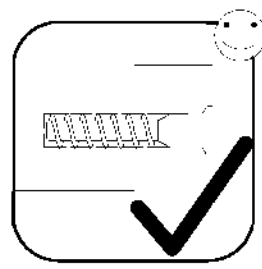
2

B



1

O



16

±4.0x35mm

±3.5x13mm



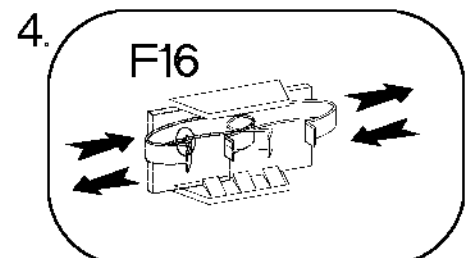
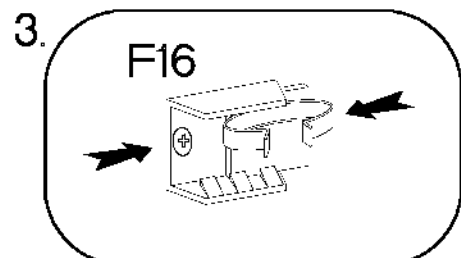
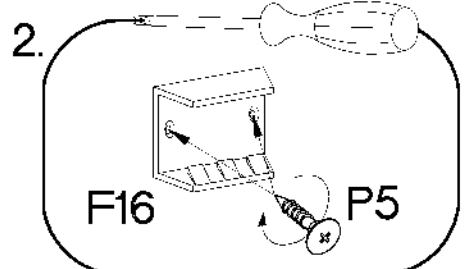
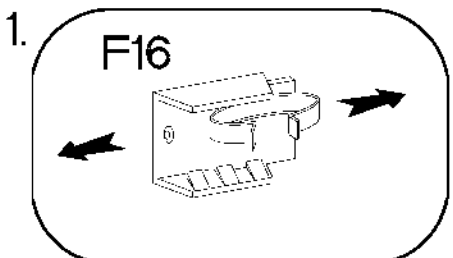
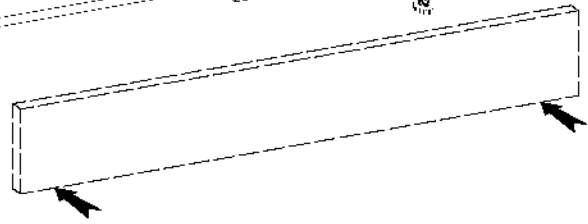
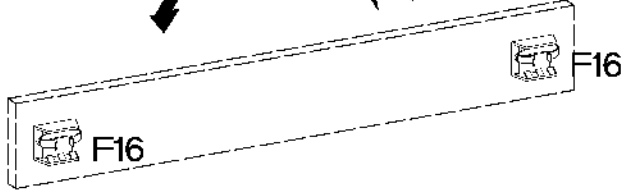
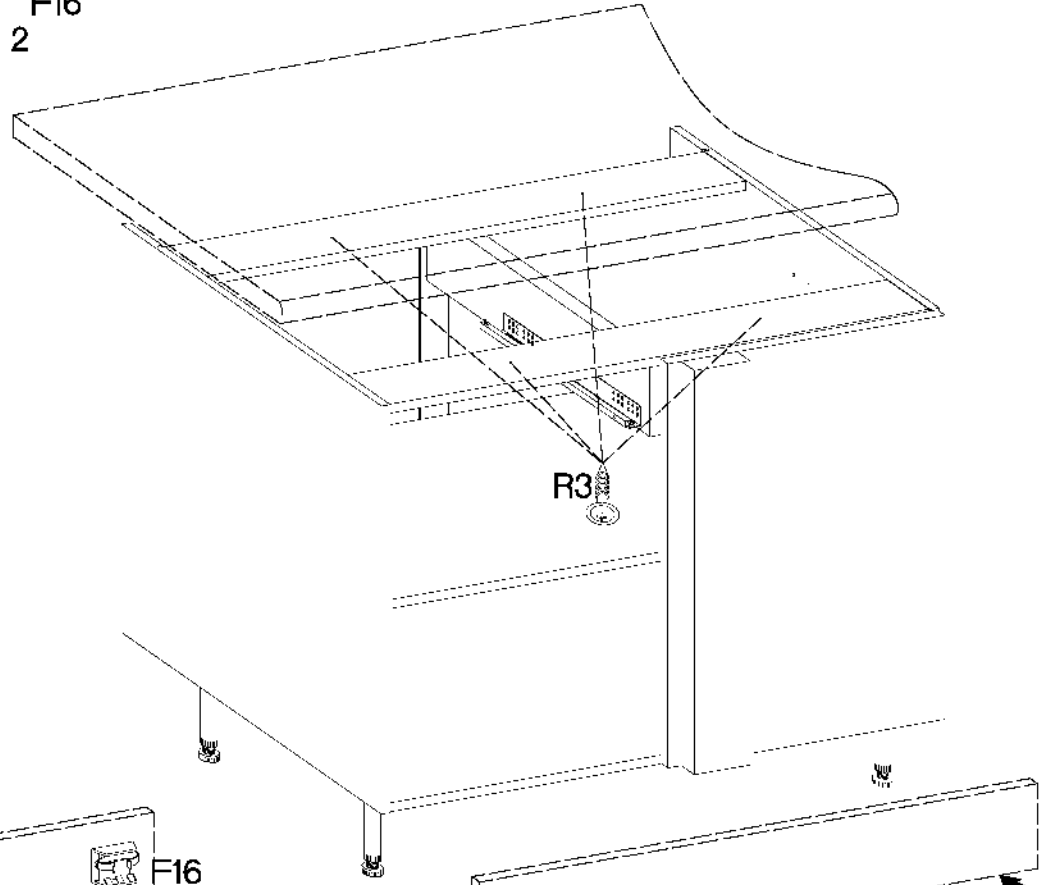
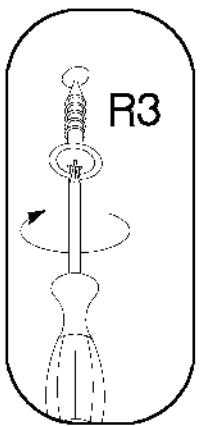
R3
4



P5
4



F16
2



17

±35/90°

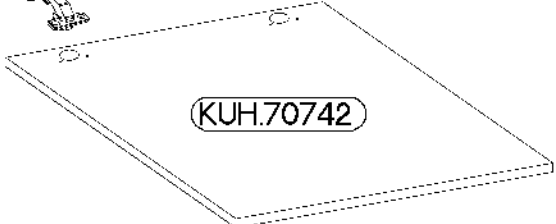
±3.5x13mm



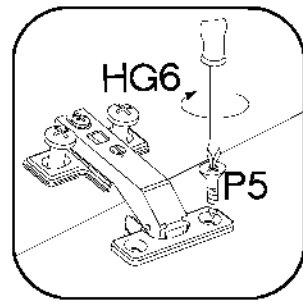
HG6
2





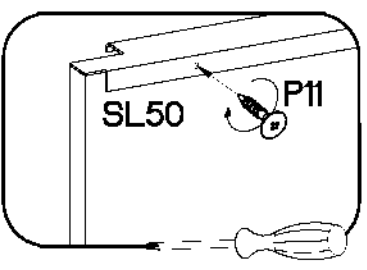
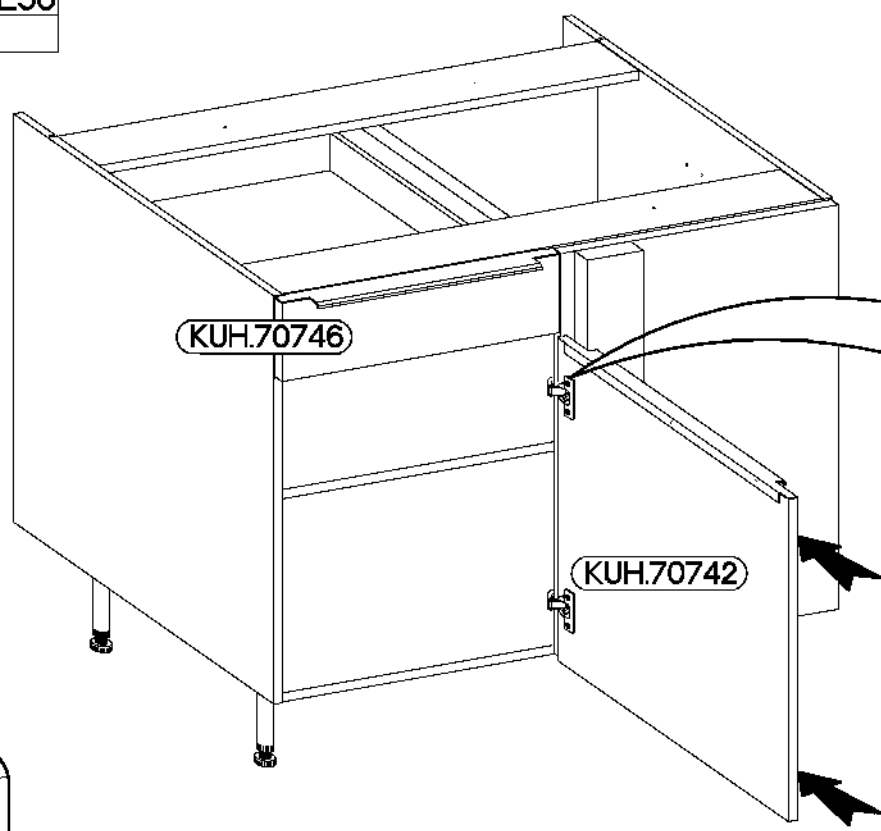
P5
4



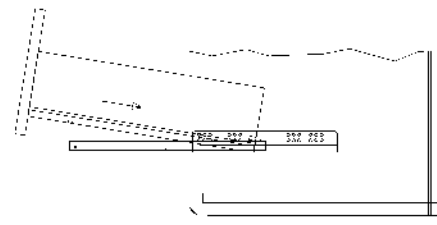
(KUH.70742)



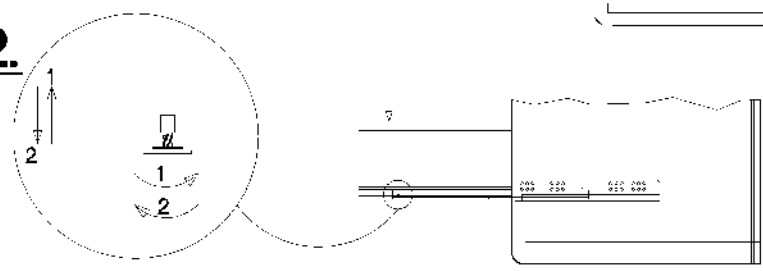
3.0x16mm	L=495mm
	
P11	SL50
6	2



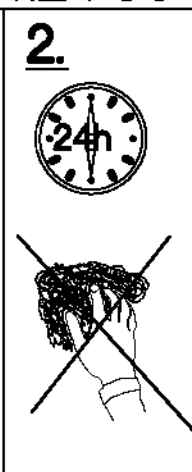
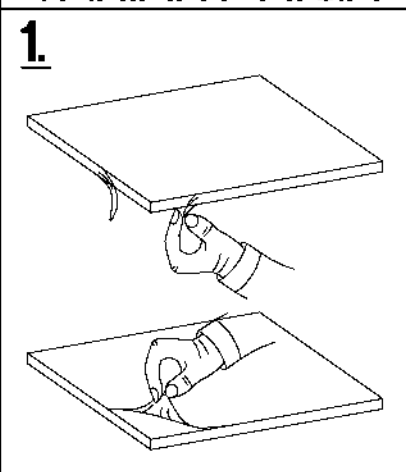
1.



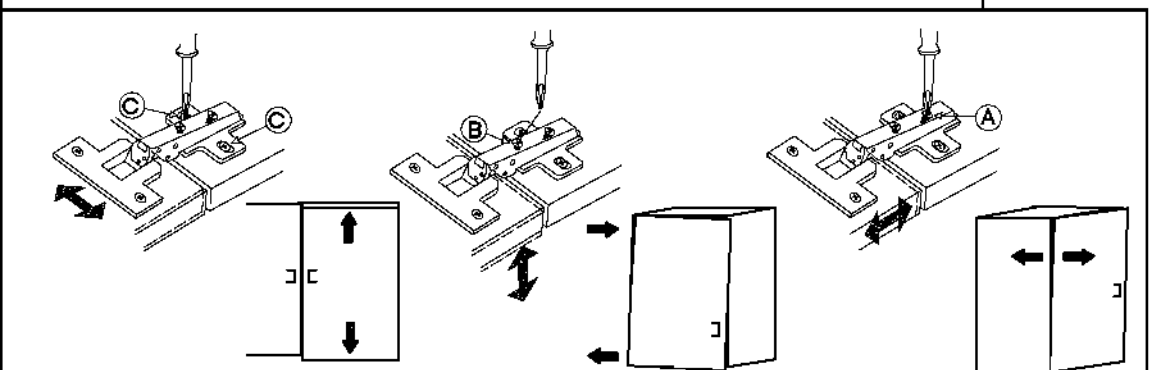
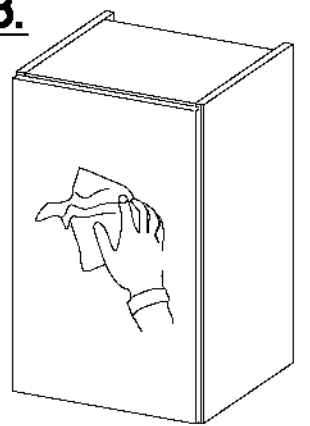
2.



VARIANT HIGH GLOSS

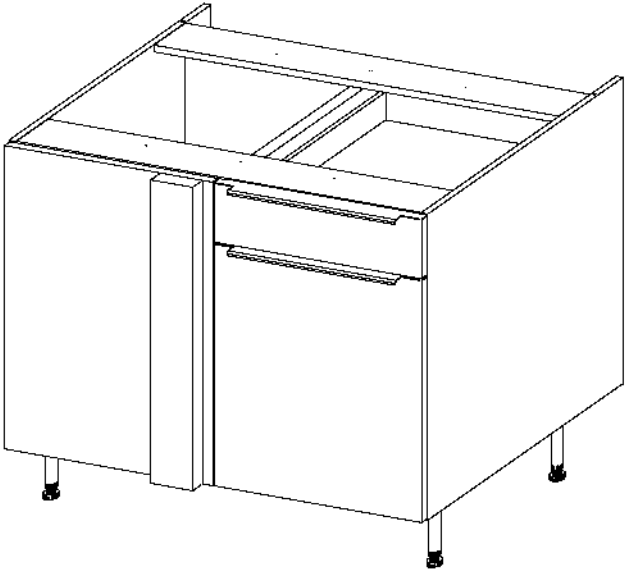
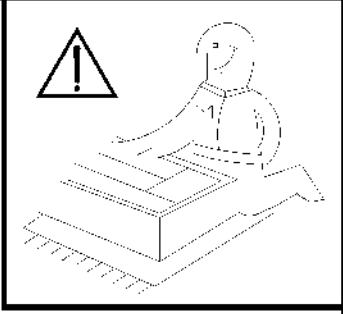


3.

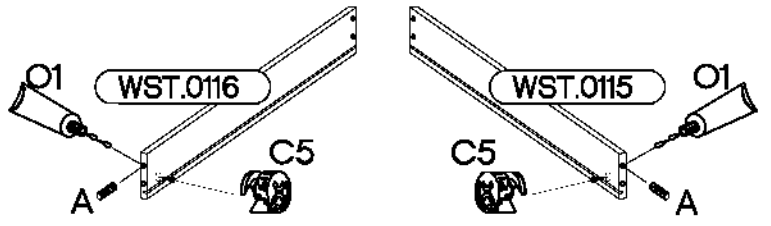
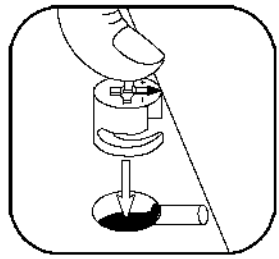
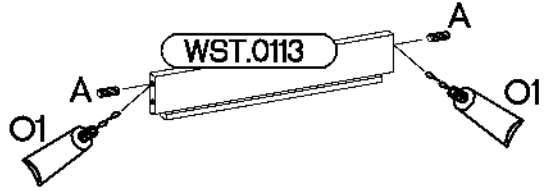


VARIANT R

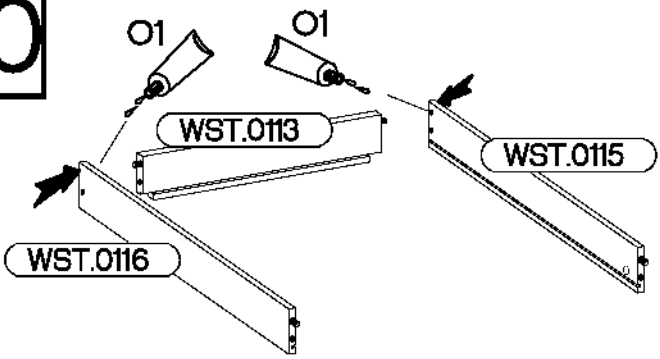
19



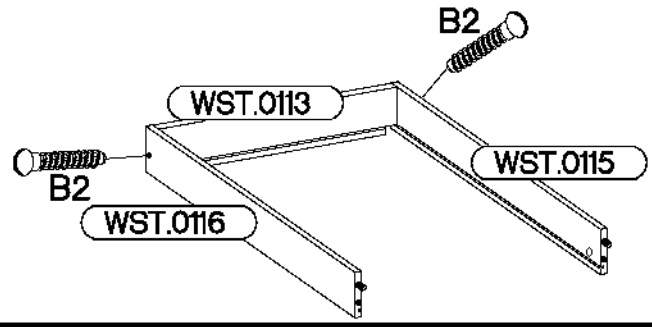
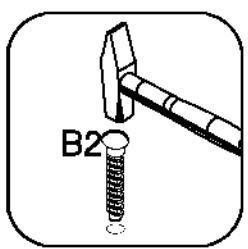
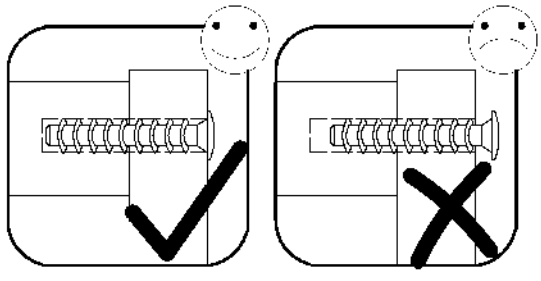
†12/10mm C5 2	†8x30mm A 4	 O1 1
--------------------------------	------------------------------	--------------------



20

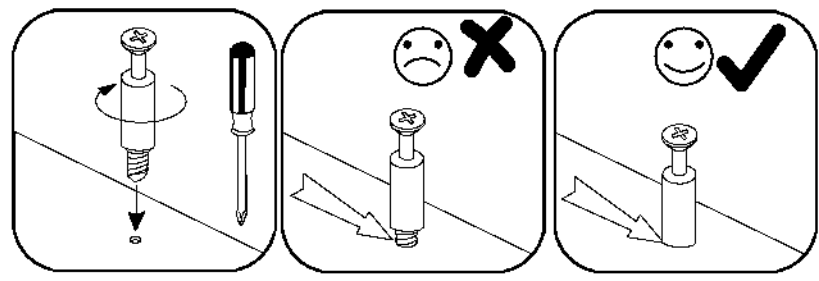
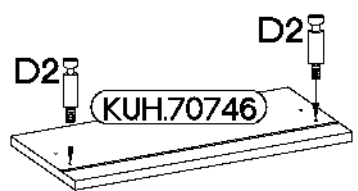


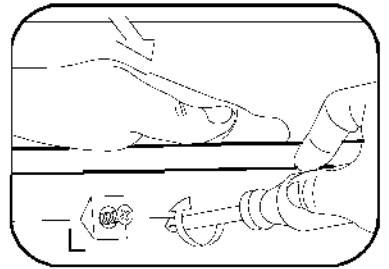
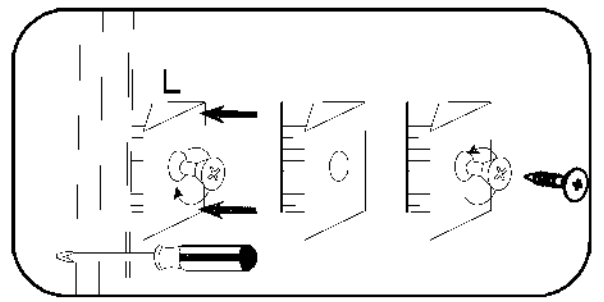
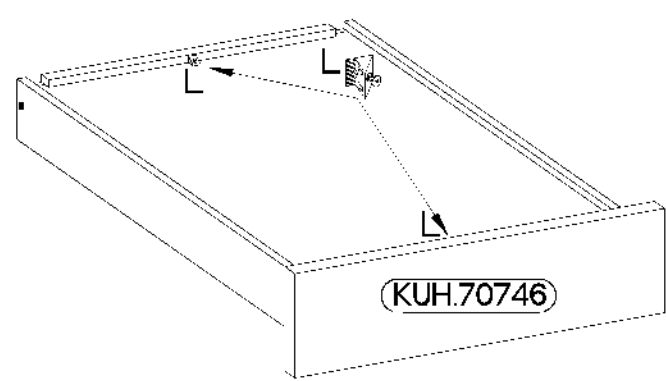
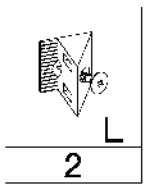
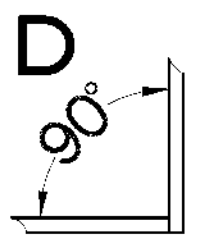
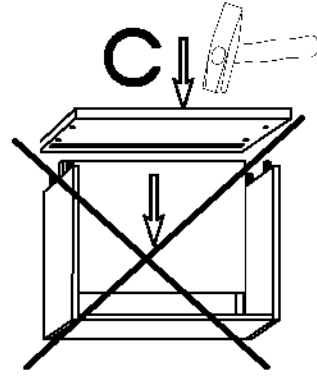
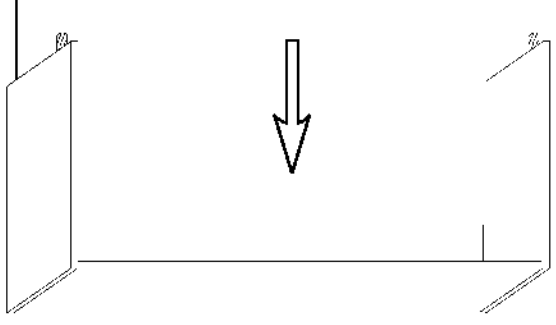
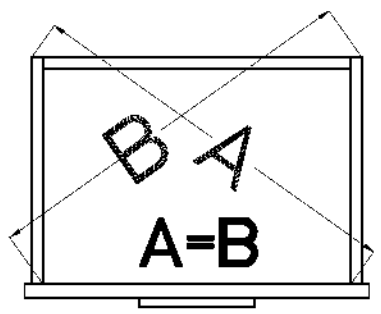
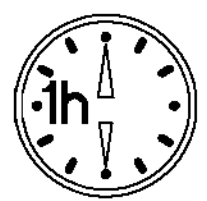
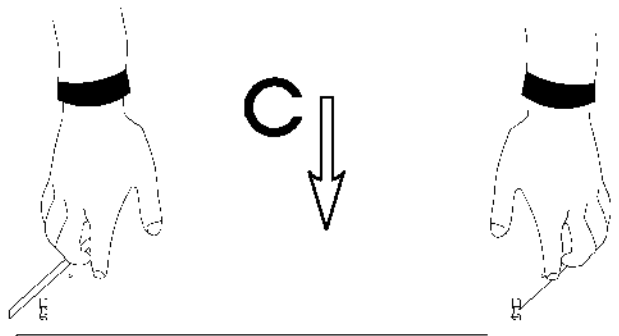
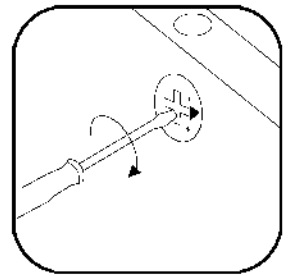
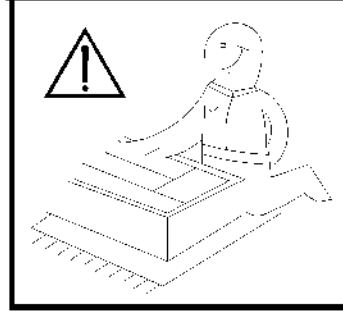
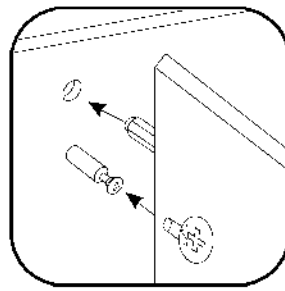
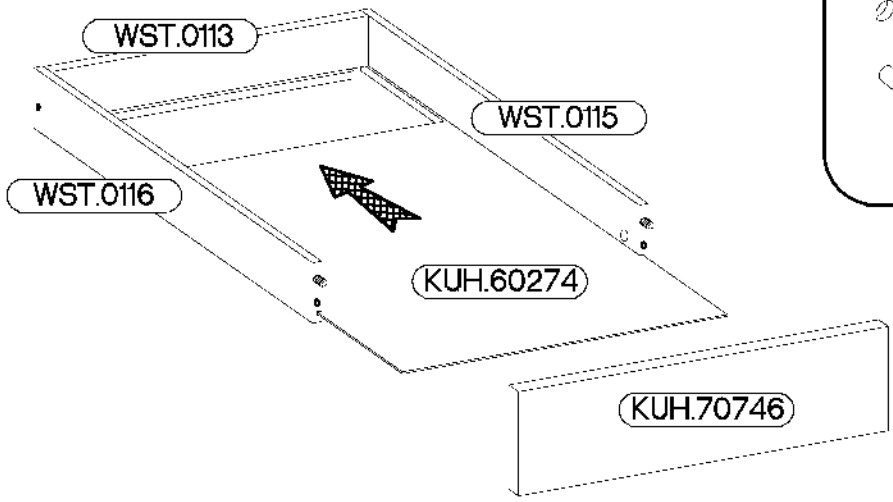
†6x42mm B2 2	 O1 1
-------------------------------	--------------------

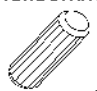



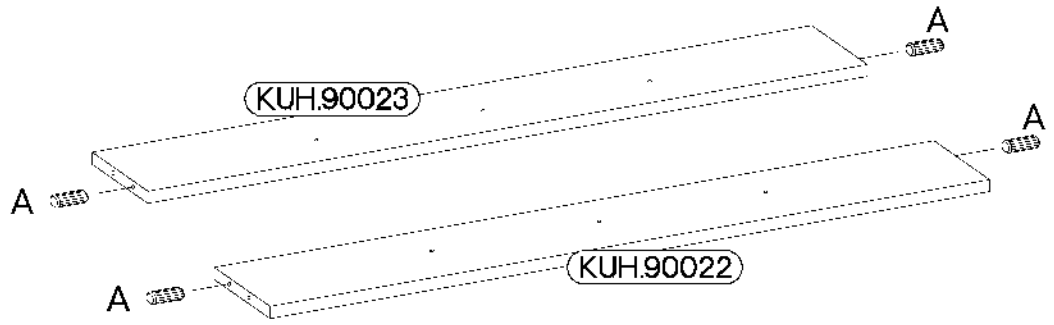
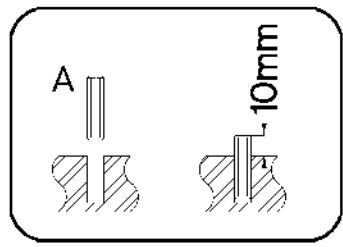
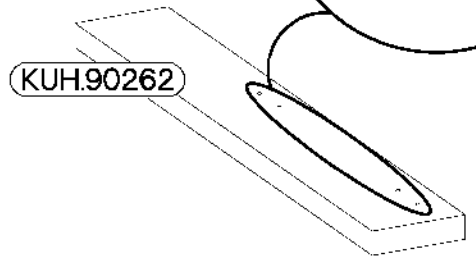
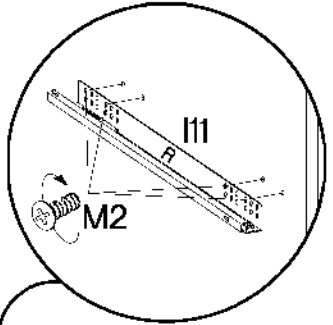
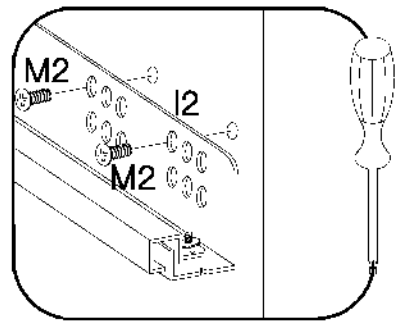
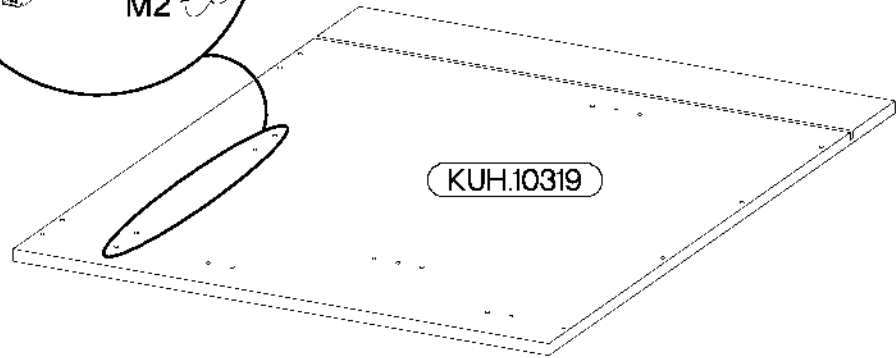
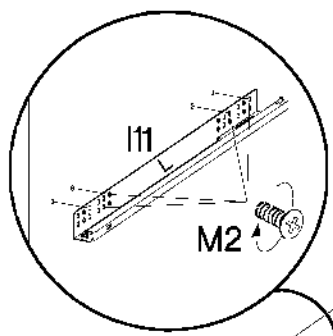
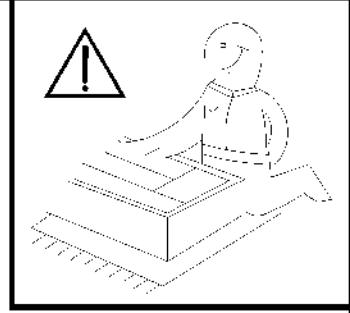
21

L=20mm D2 2





$\varnothing 8 \times 30 \text{mm}$	$\varnothing 6.3 \times 13 \text{mm}$
	
A	M2
L=450mm	
4	8



±3.5x13mm

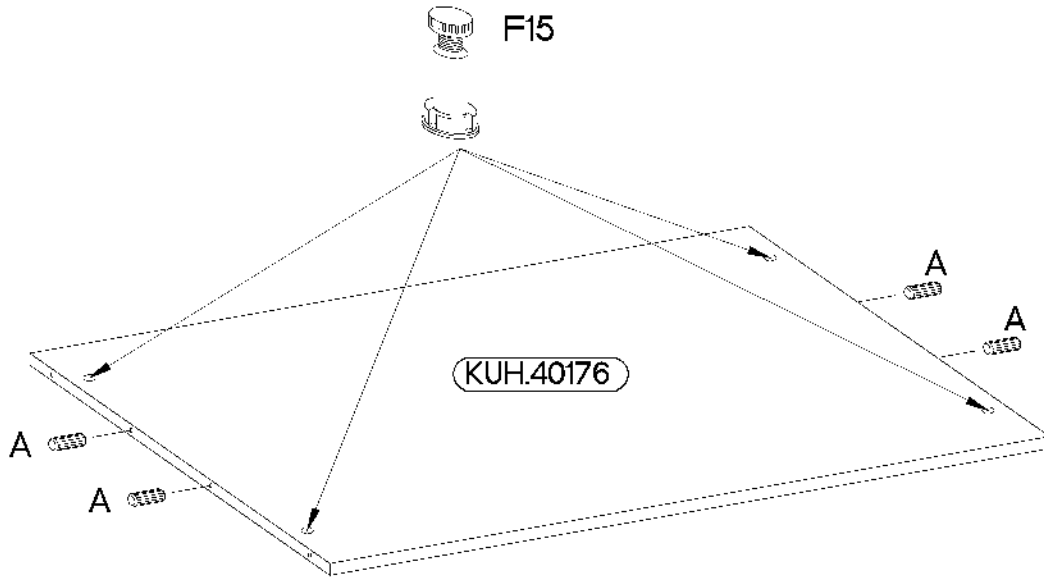
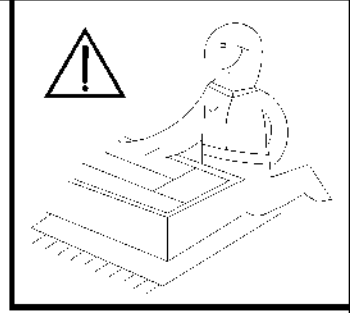


F15
4

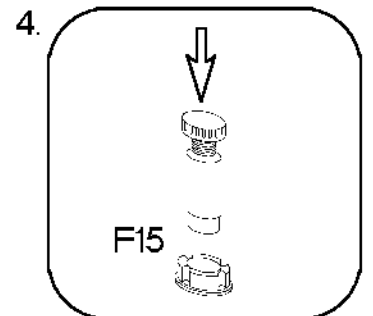
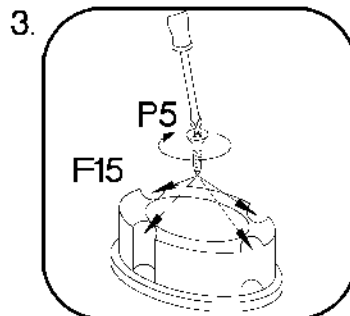
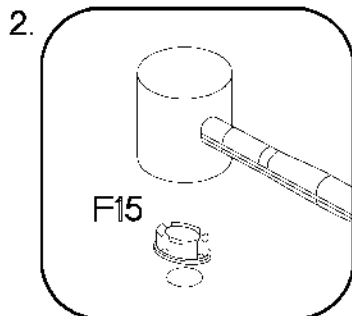
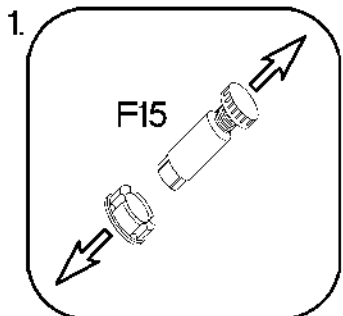
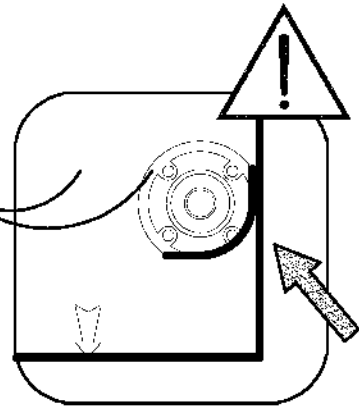
±8x30mm



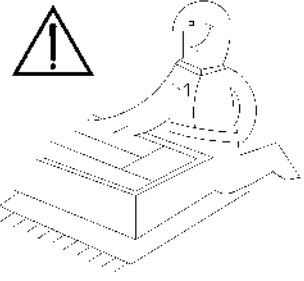
A
4


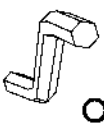



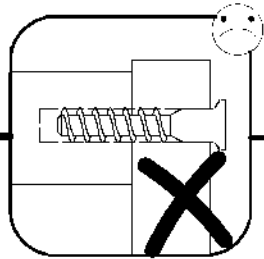
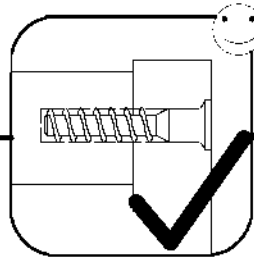
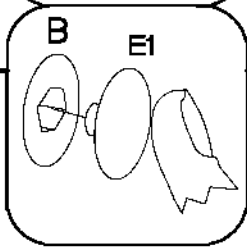
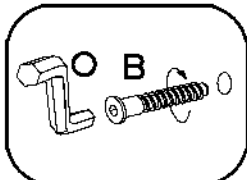
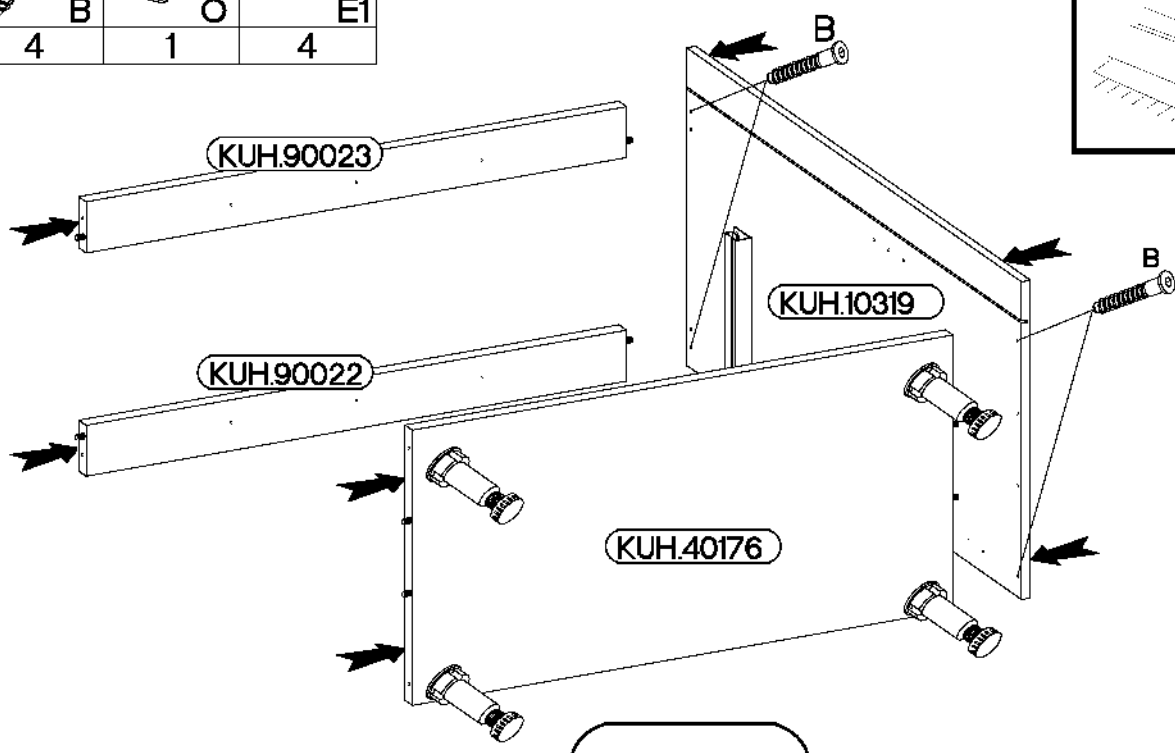
967




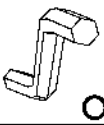

26

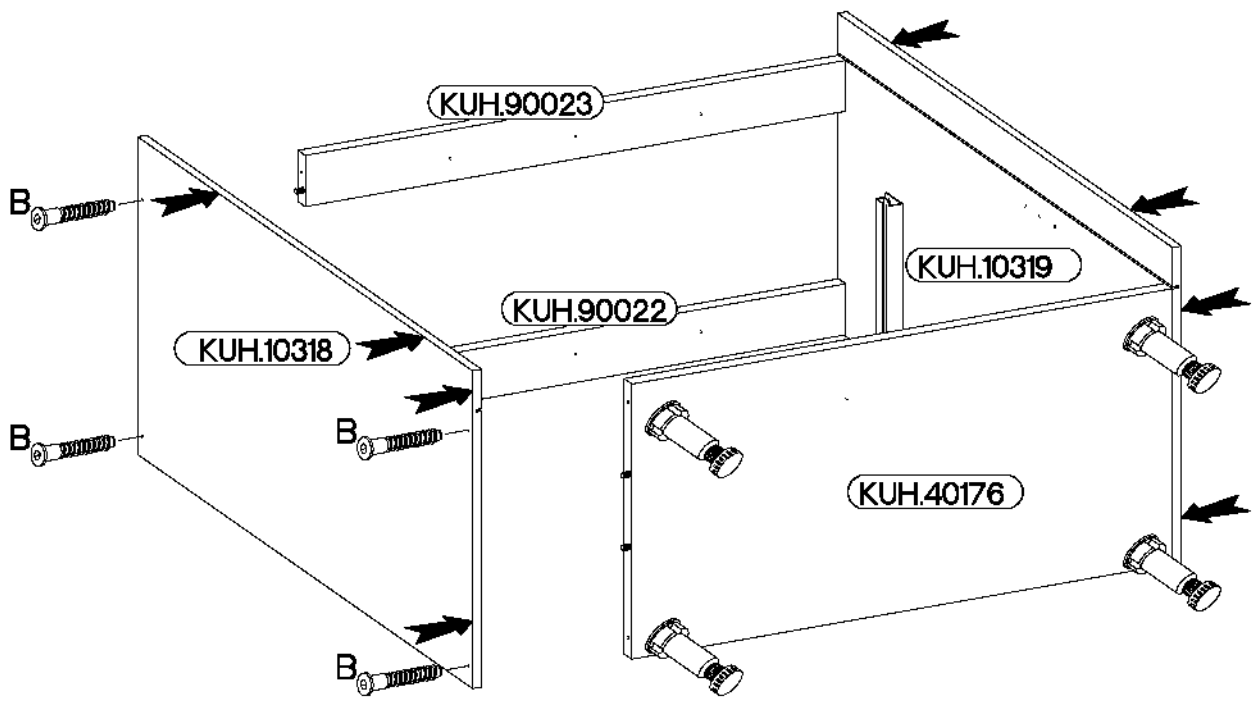


6,4 x 50mm		
		
B	O	E1
4	1	4



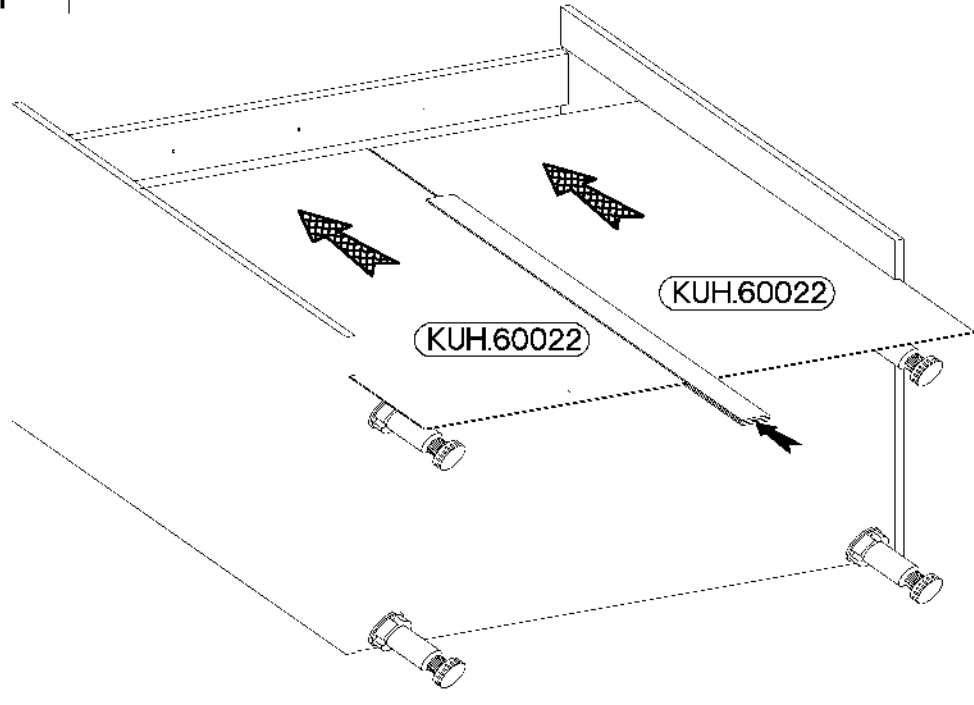
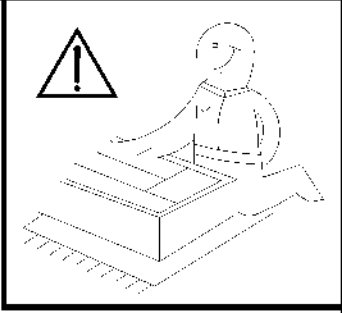
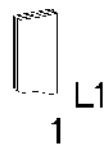
27

6,4 x 50mm		
		
B	O	E1
4	1	4



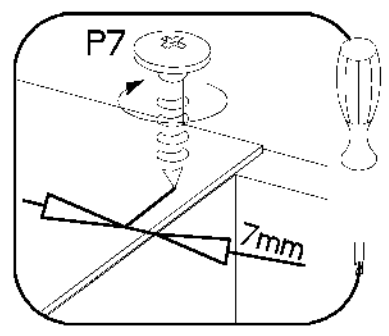
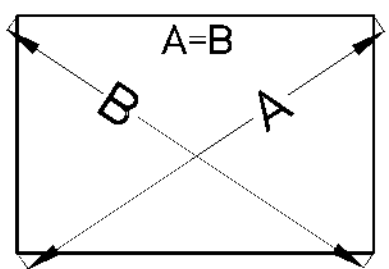
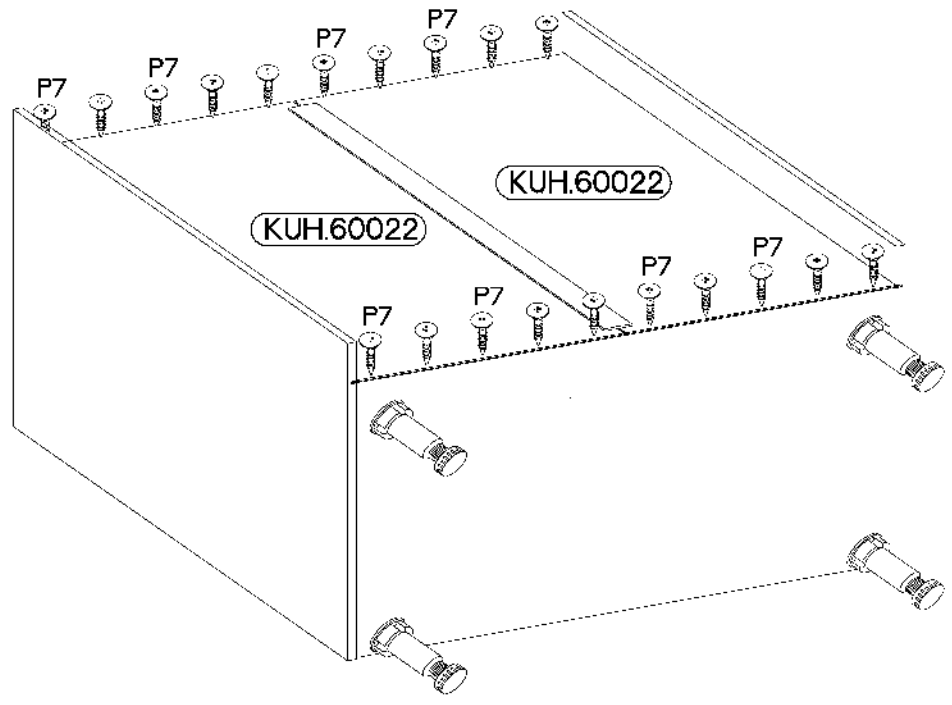
28

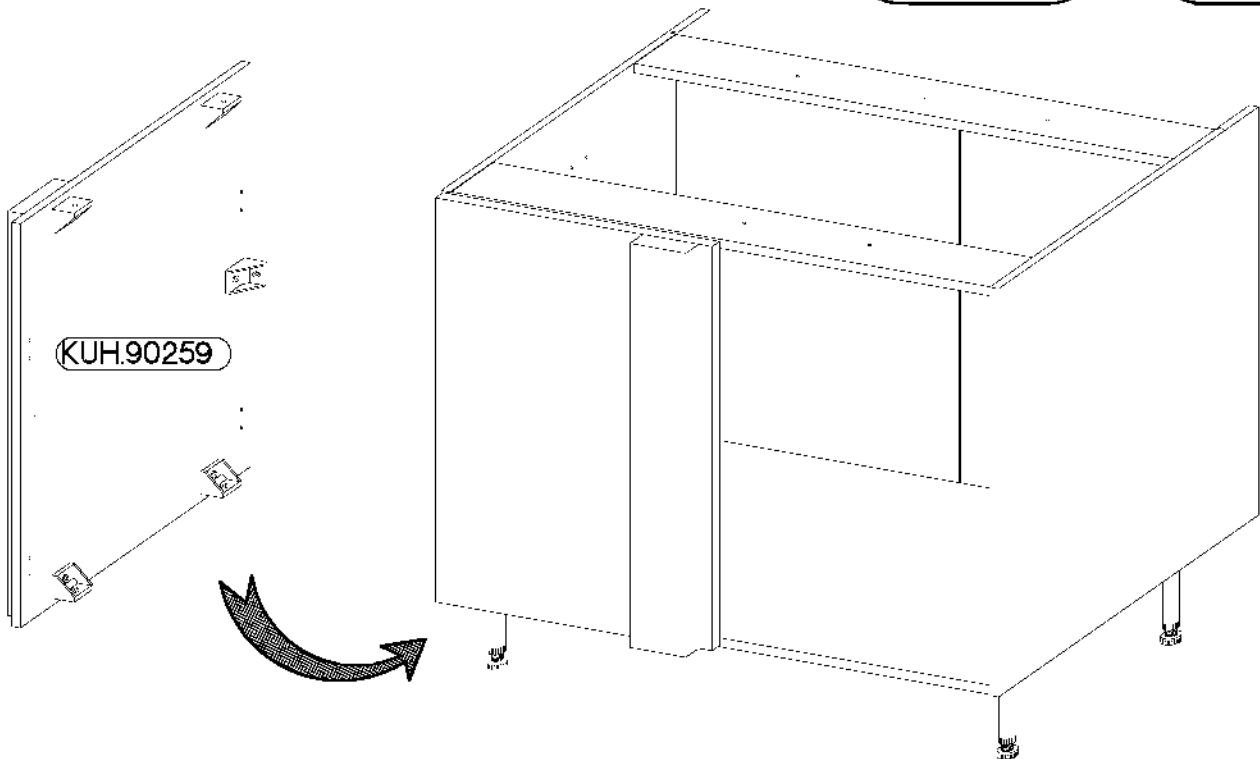
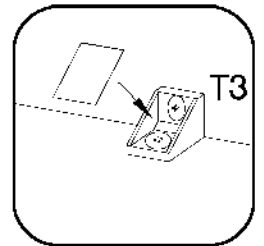
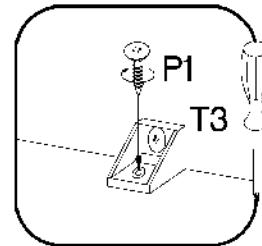
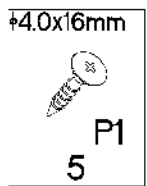
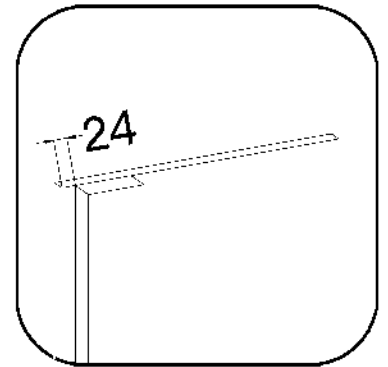
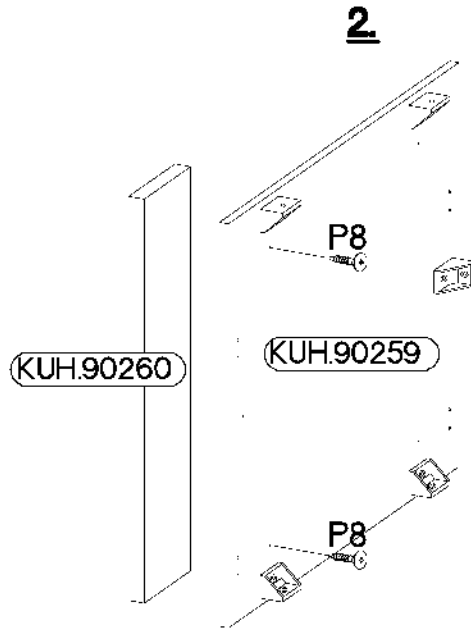
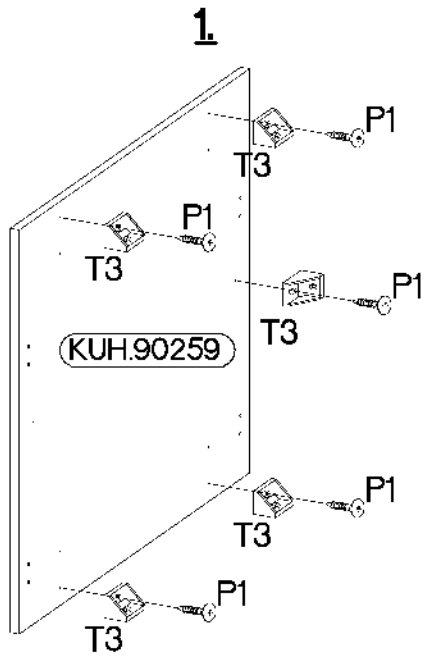
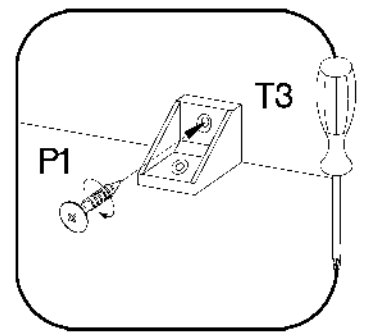
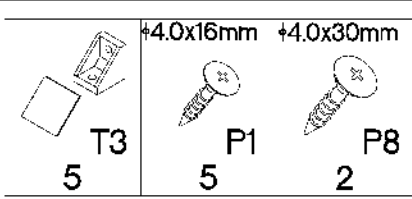
L=680mm



29

3.0x20mm





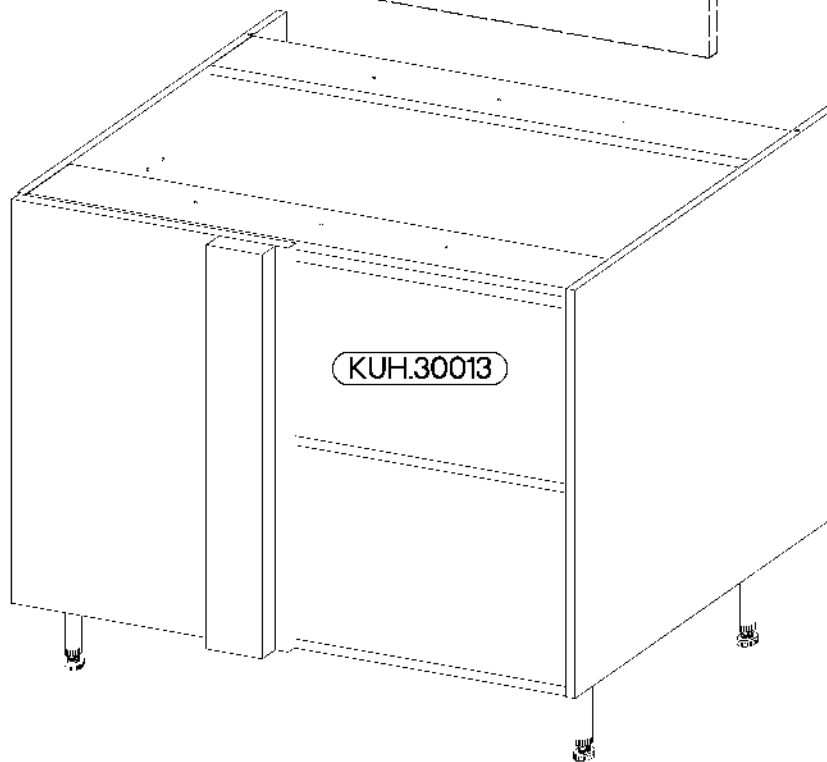
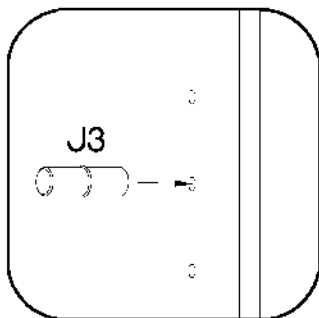
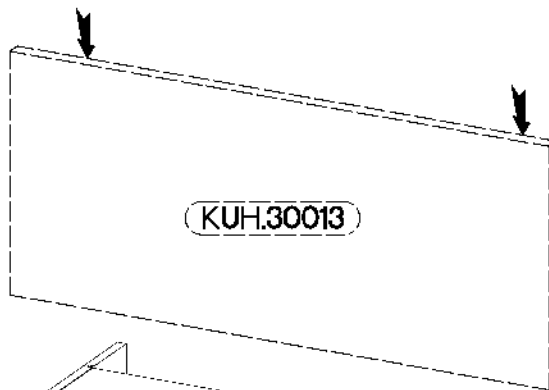
32

±5/16mm



J3

4



33

6,4 x 50mm



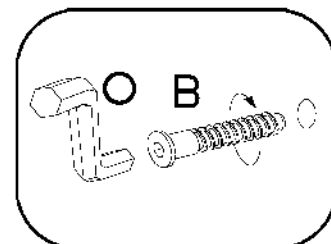
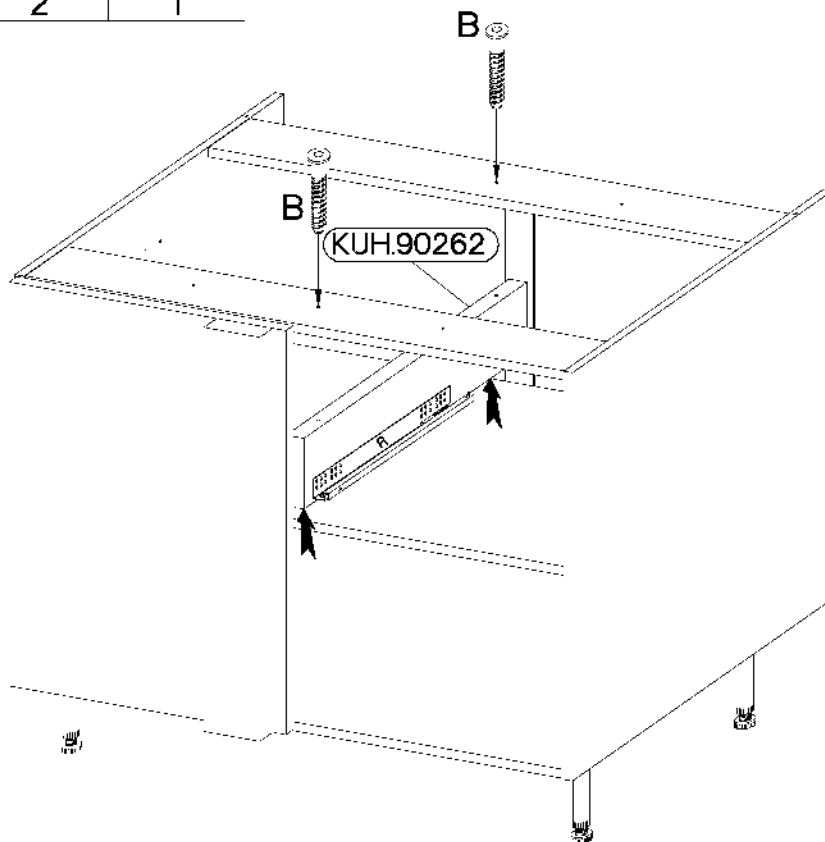
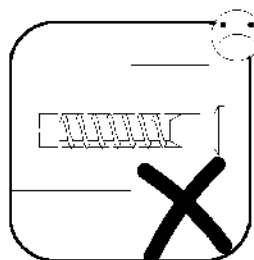
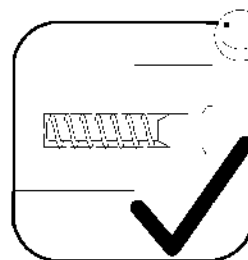
2

B



1

O



34

4.0x35mm

3.5x13mm



R3

4



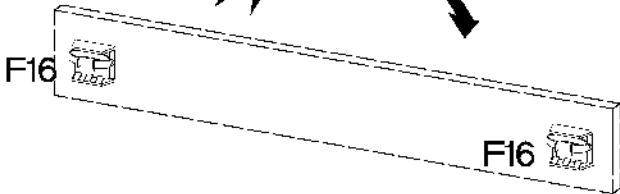
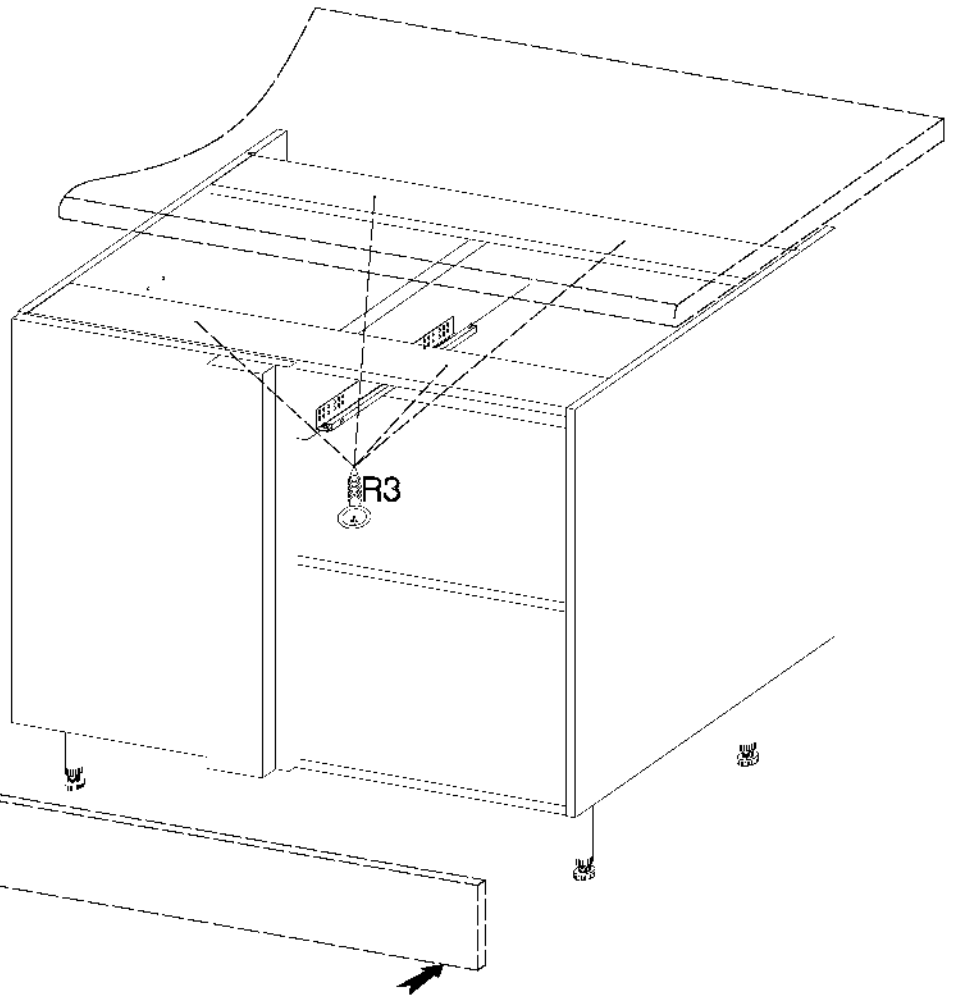
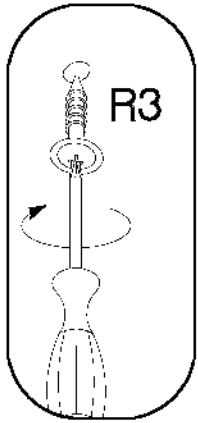
P5

4

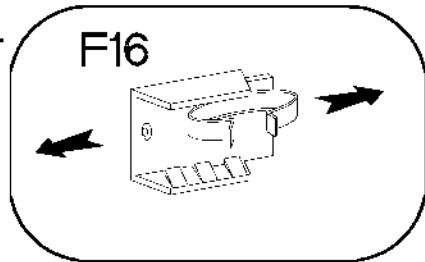


F16

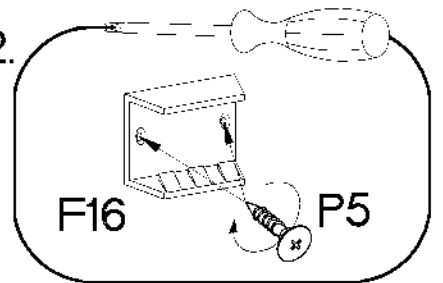
2



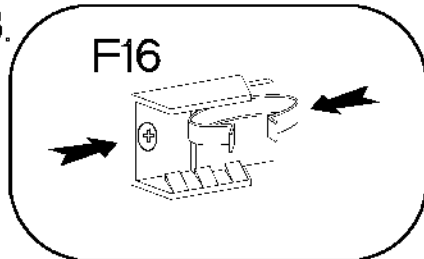
1.



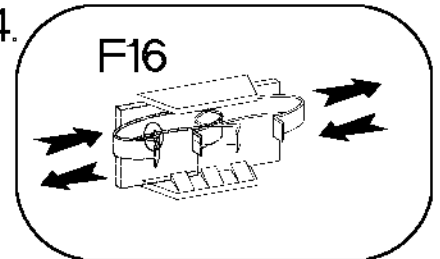
2.



3.



4.



35

35/90°

3.5x13mm



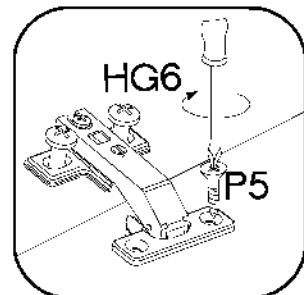
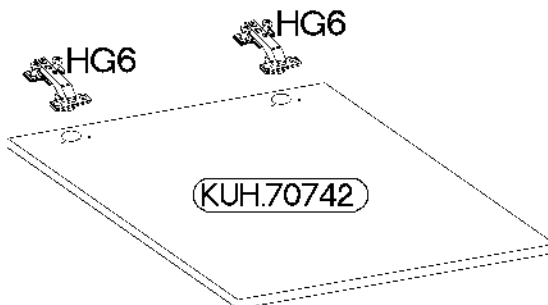
HG6



2

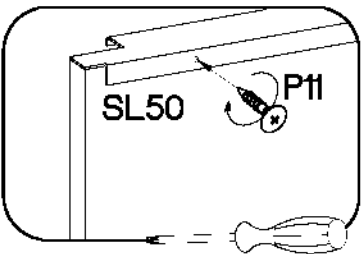
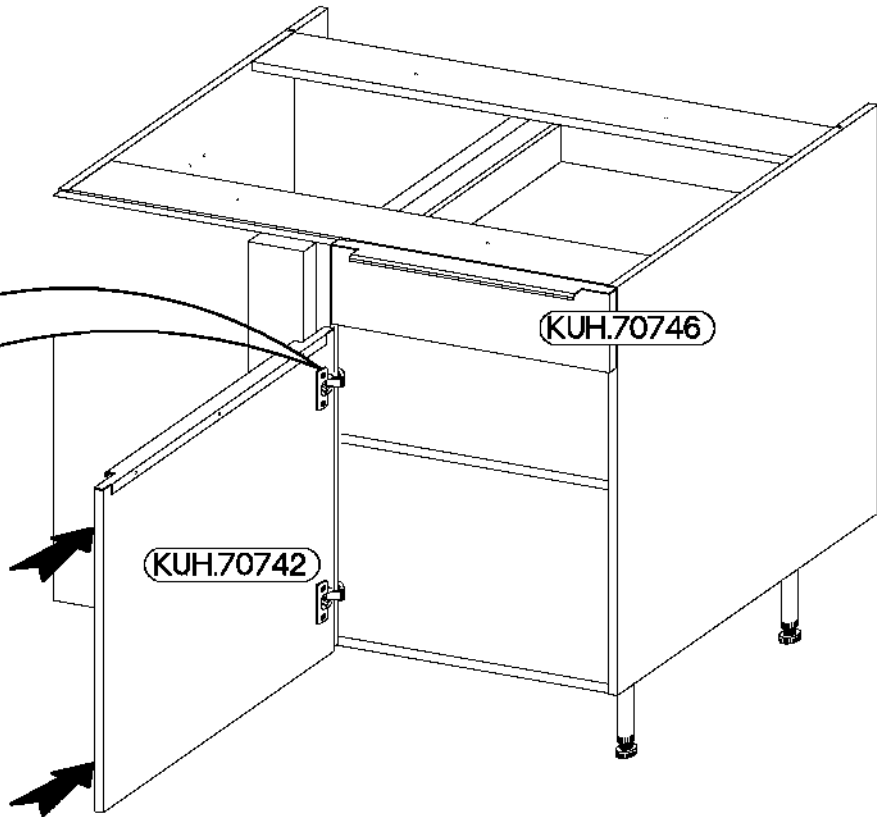
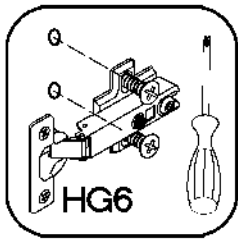


P5

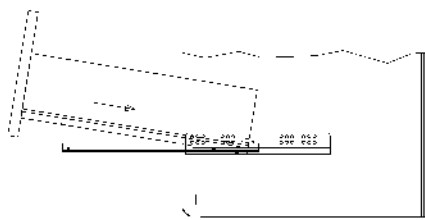
4



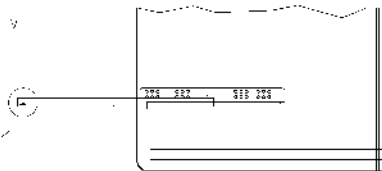
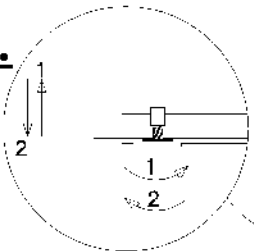
 P11 6	 SL50 2
--	---



1.

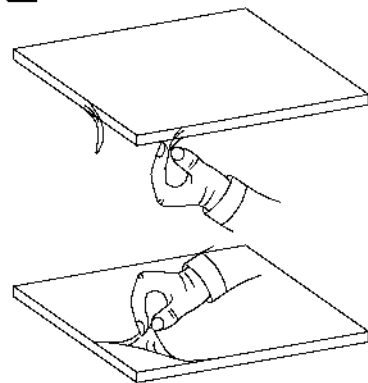


2.

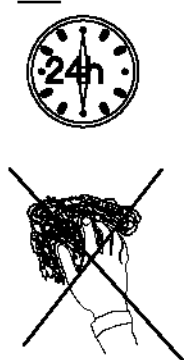


VARIANT HIGH GLOSS

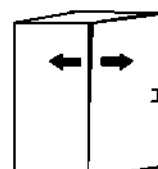
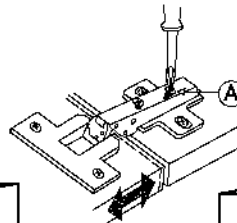
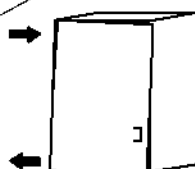
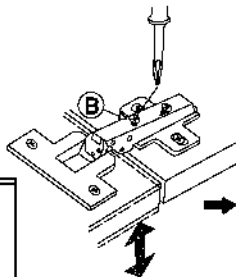
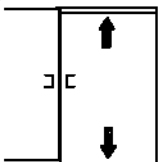
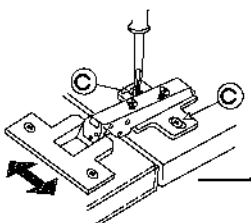
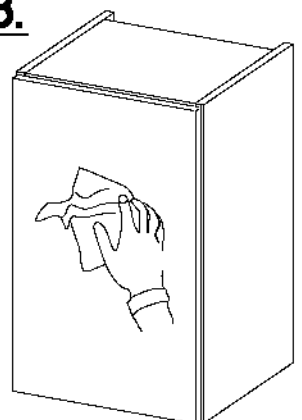
1.



2.



3.



Marke	Respekta
Hersteller und verantwortliche Person mit Adresse	NEG Novex Großhandelsgesellschaft für Elektro- und Haustechnik GmbH Chenover Straße 5 67117 Limburgerhof Deutschland info@neg-novex.de www.respekta.de