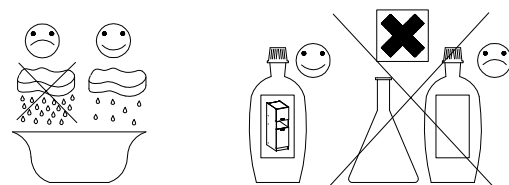
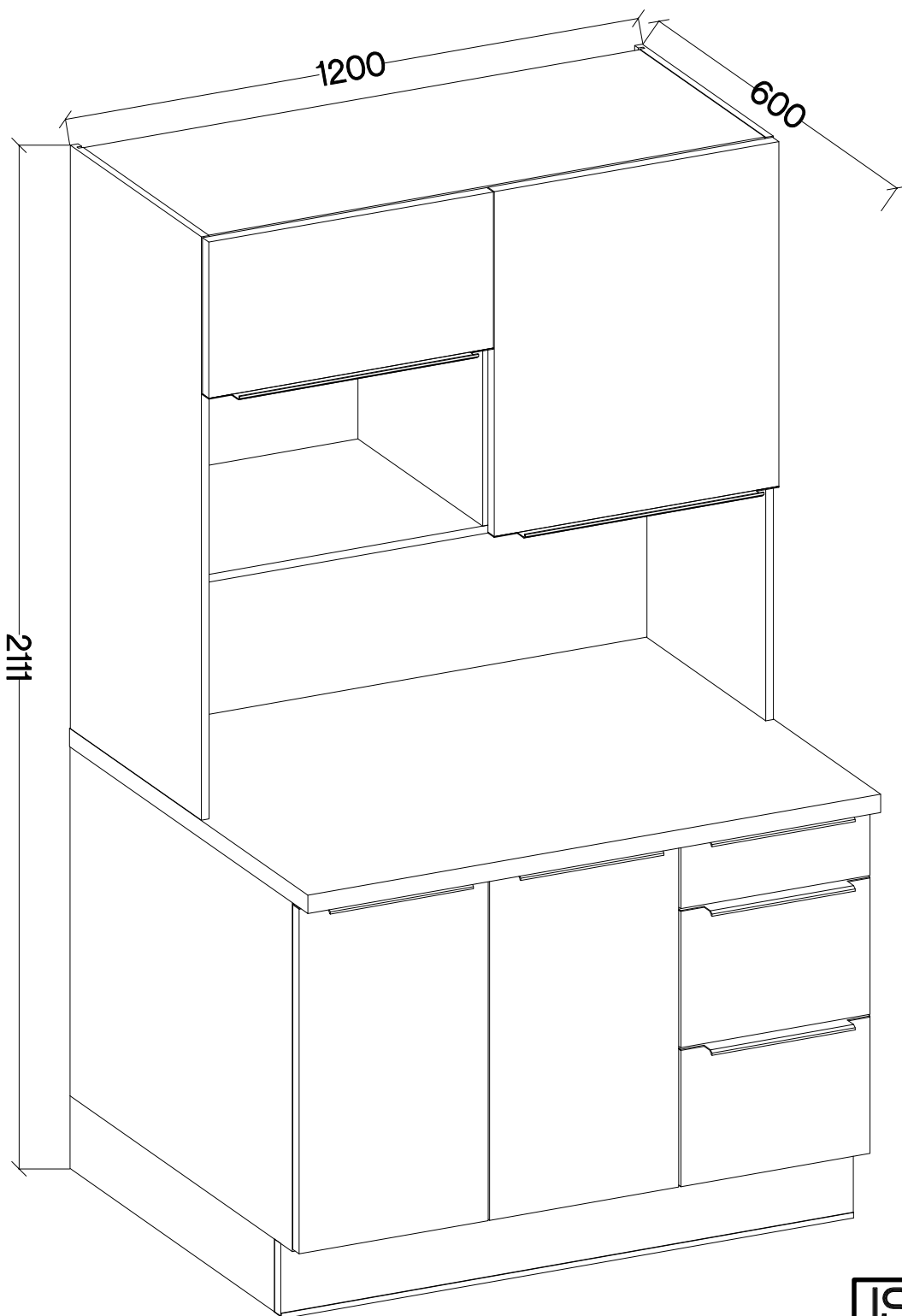


SAFADO / MARLEEN

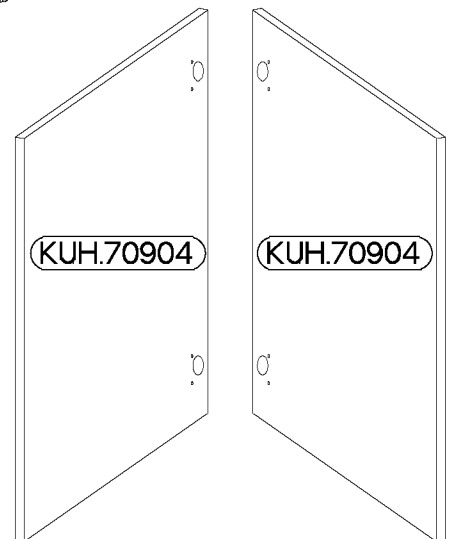
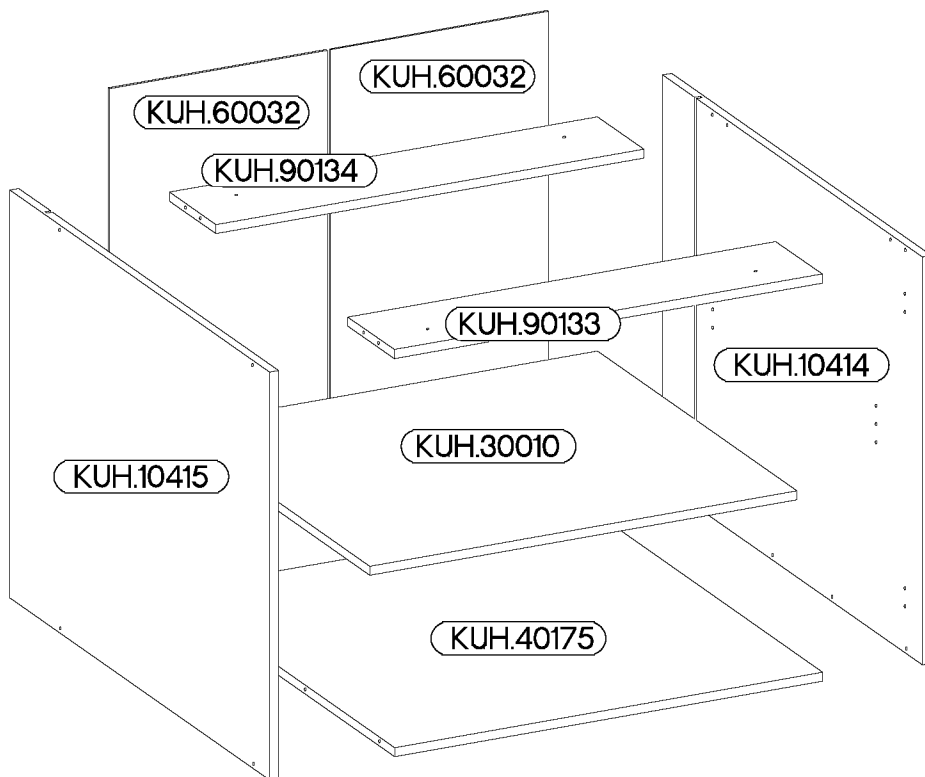
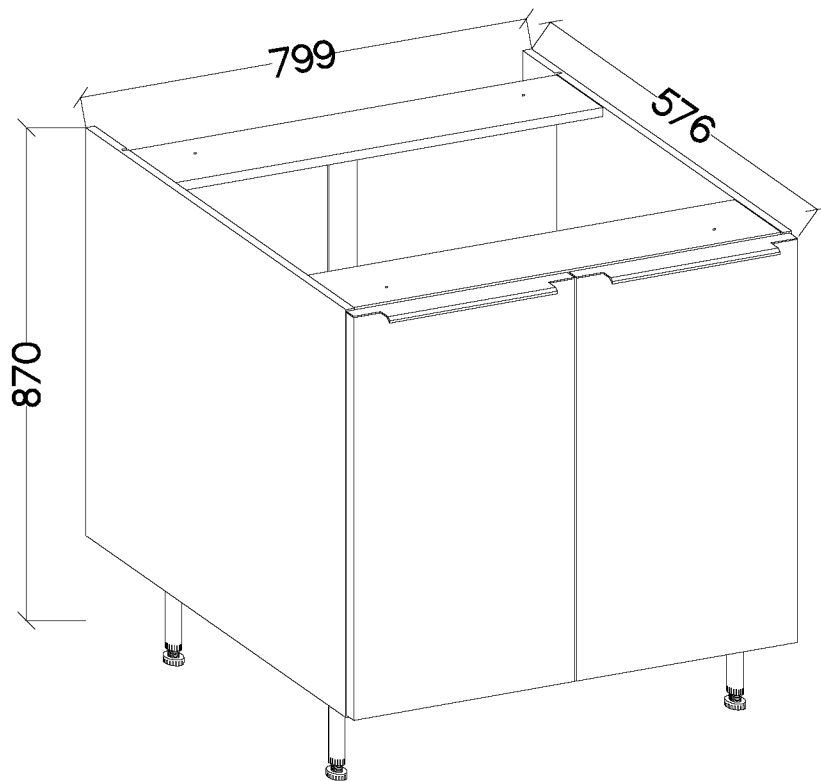
- 73-157-...
- 73-15I-...
- 73-15J-...
- 73-15K-...
- 73-15L-...

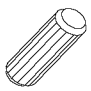


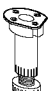
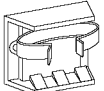
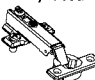
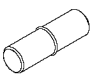








respekta®



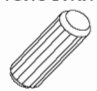


ISM-KUH-01598

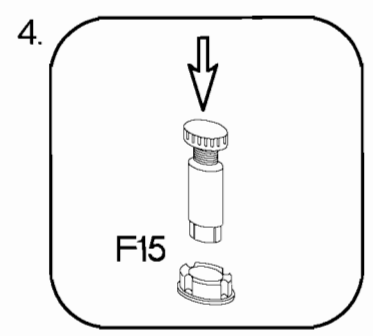
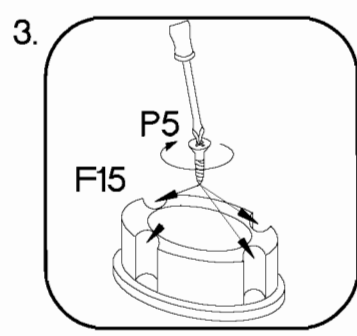
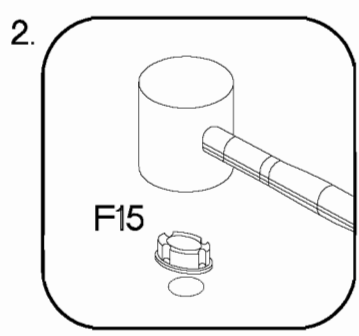
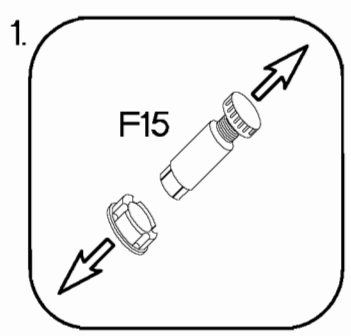
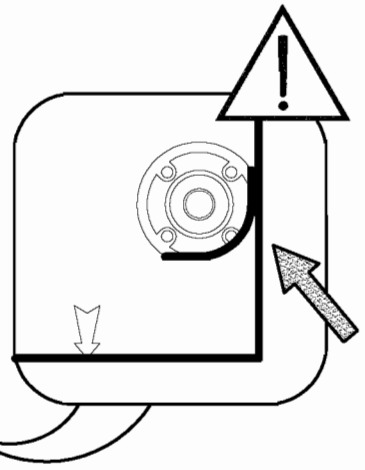
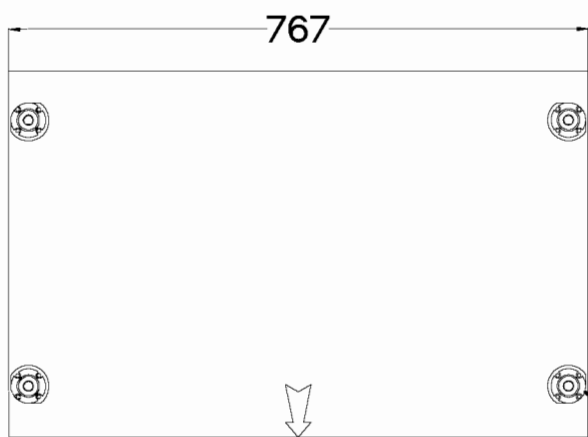
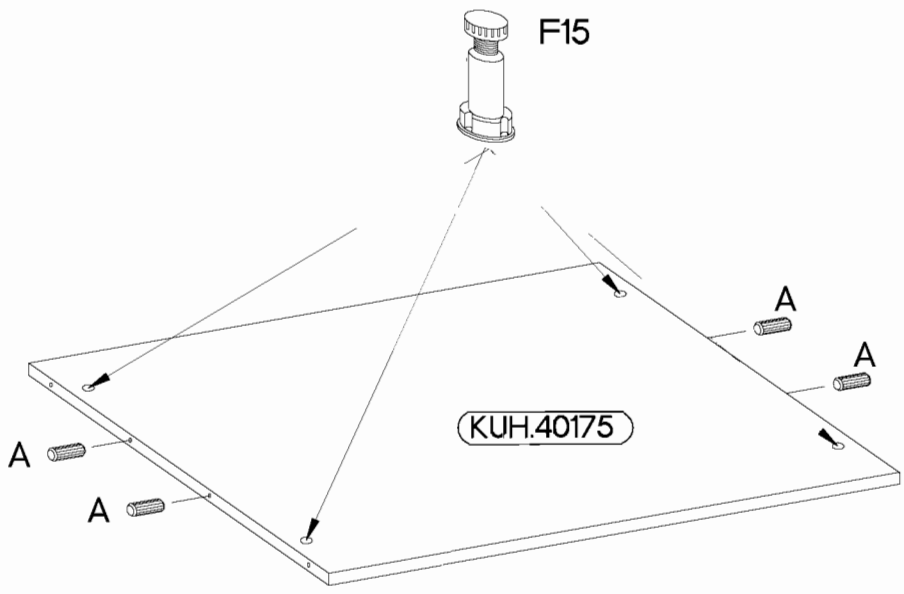
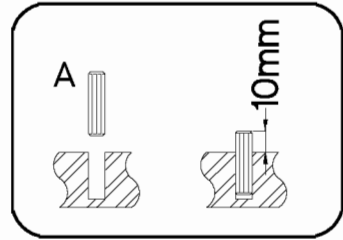
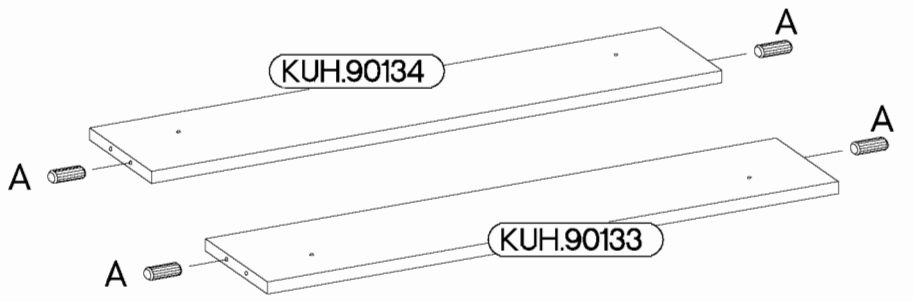
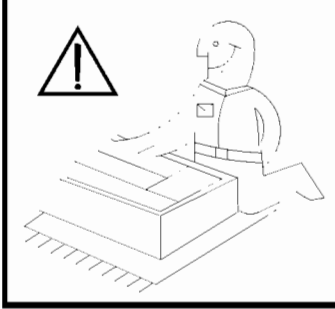


$\varnothing 8 \times 30 \text{mm}$  A	6.4 x 50mm  B	 E1	 F15	 F16	$\varnothing 35/0 \text{mm}$  HG
8	8	8	4	4	4
$\varnothing 5/16 \text{mm}$  J3	L=680mm  L1	 O	$\varnothing 3.5 \times 13 \text{mm}$  P5	$\varnothing 3.0 \times 20 \text{mm}$  P7	$\varnothing 3.0 \times 16 \text{mm}$  P11
4	1	1	32	15-20	6
					L=395mm  SL40
					2

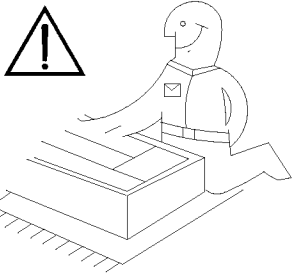
Colli	Spare Part	Dimension
Colli 1/4	KUH.10414	720x560x16
	KUH.10415	720x560x16
	KUH.30010	766x430x16
	KUH.40175	767x485x16
	KUH.60032 x2	713x391x2,5
	KUH.70904 x2	711x396x16
	KUH.90133	767x100x16
	KUH.90134	767x100x16

1

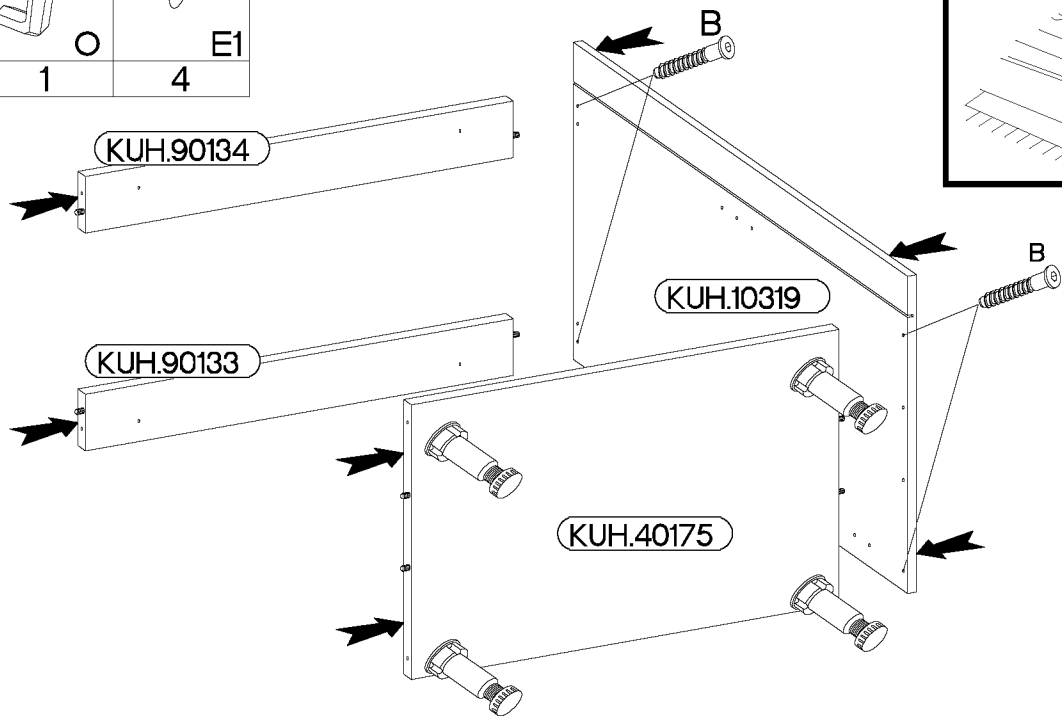
		
A	P5	F15
8	16	4



2

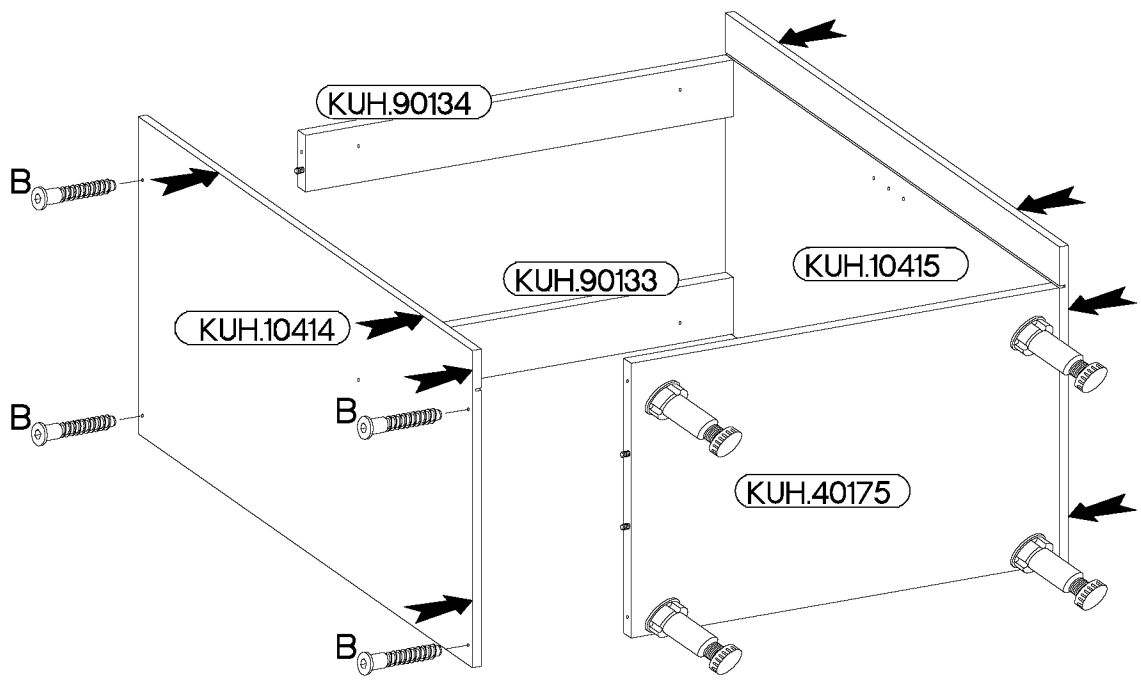
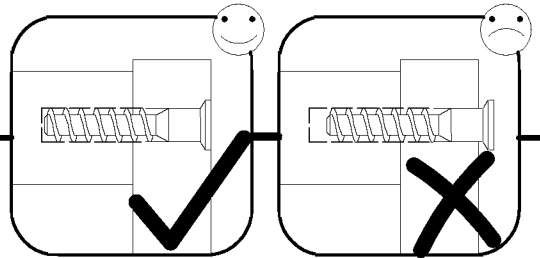
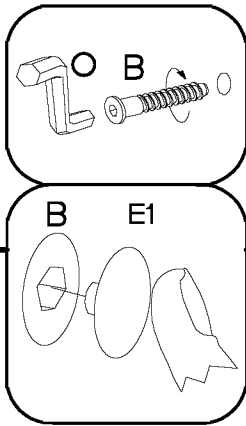


6,4 x 50mm		
B	O	E1
4	1	4



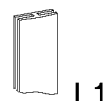
3

6,4 x 50mm		
B	O	E1
4	1	4



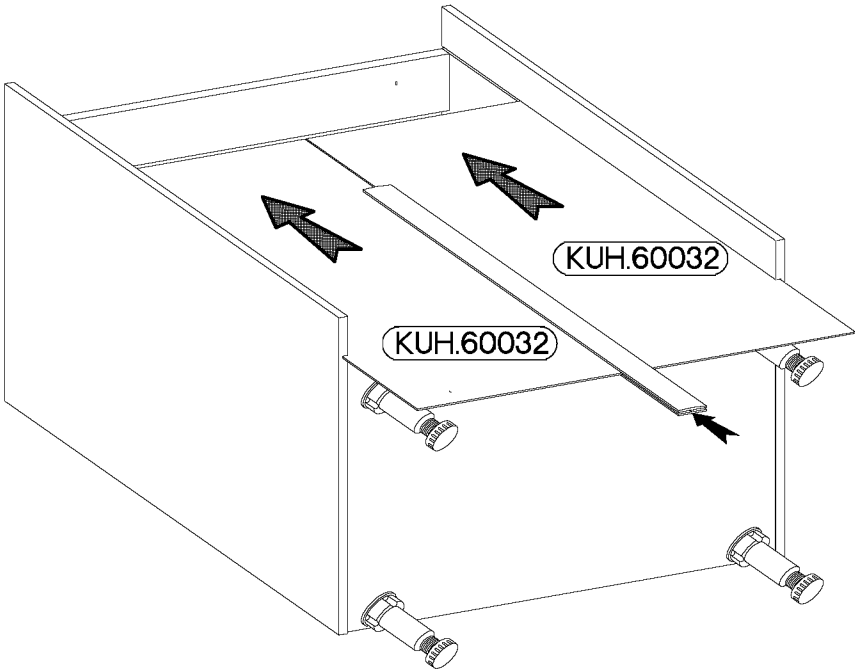
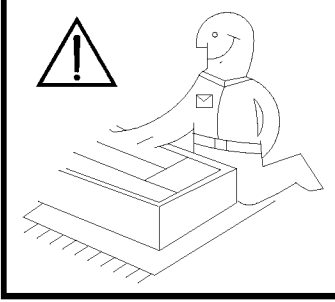
4

L=680mm



L1

1



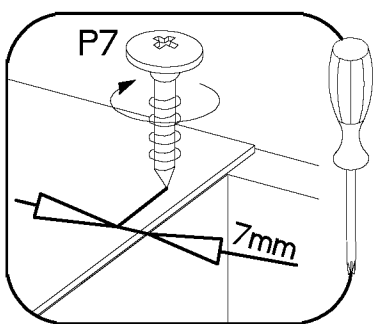
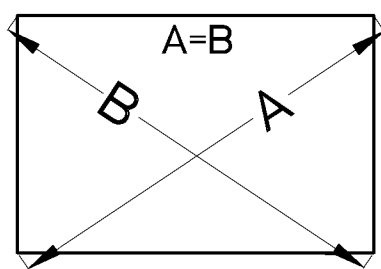
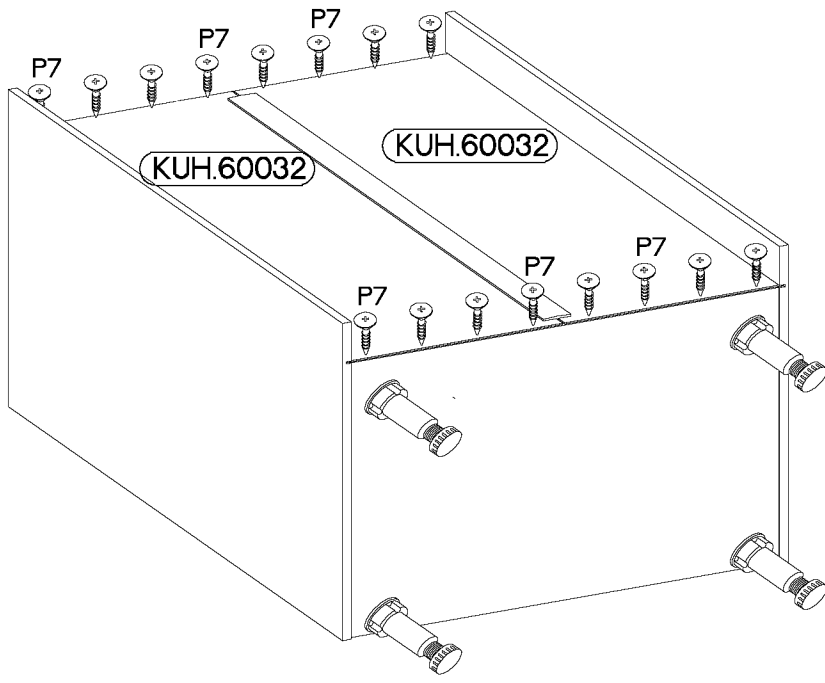
5

φ3.0x20mm

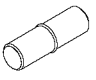


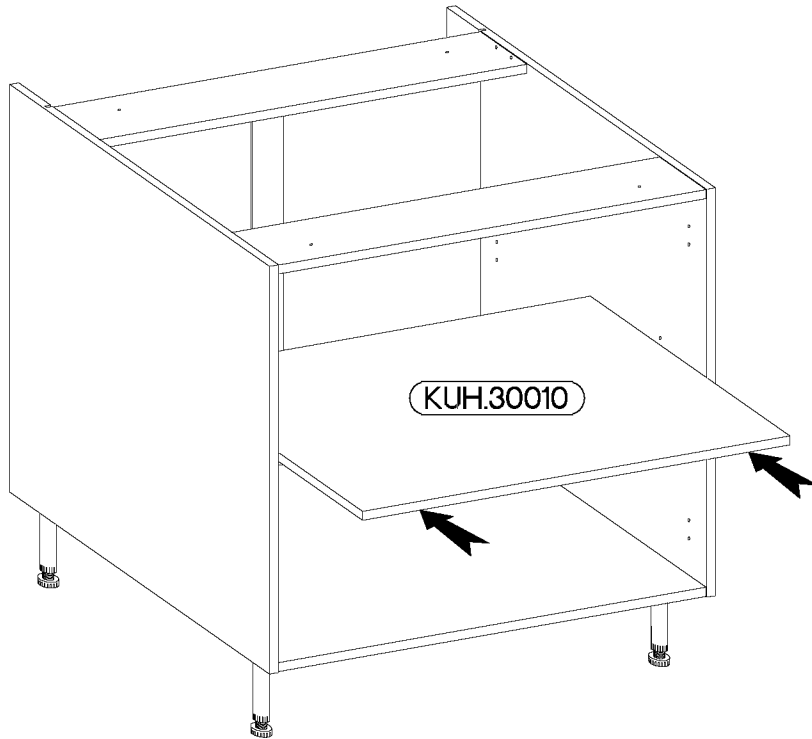
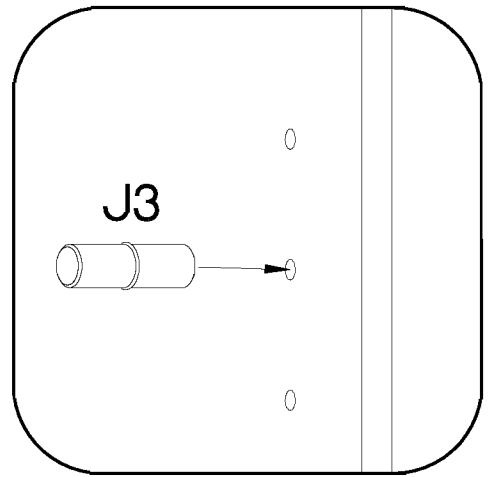
P7

15-20

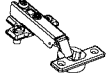



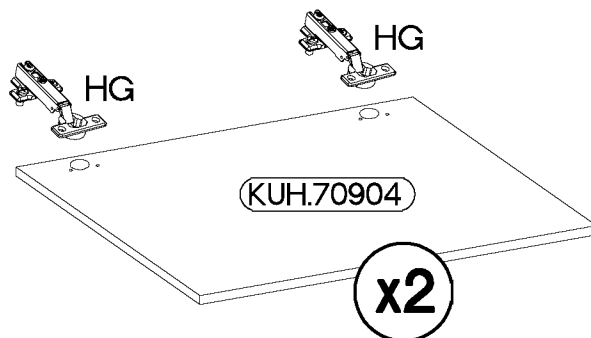
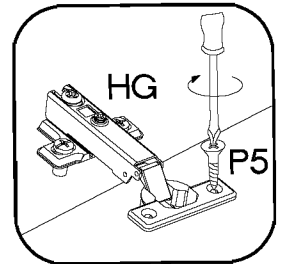
6


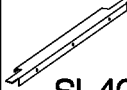
±5/16mm

J3
4

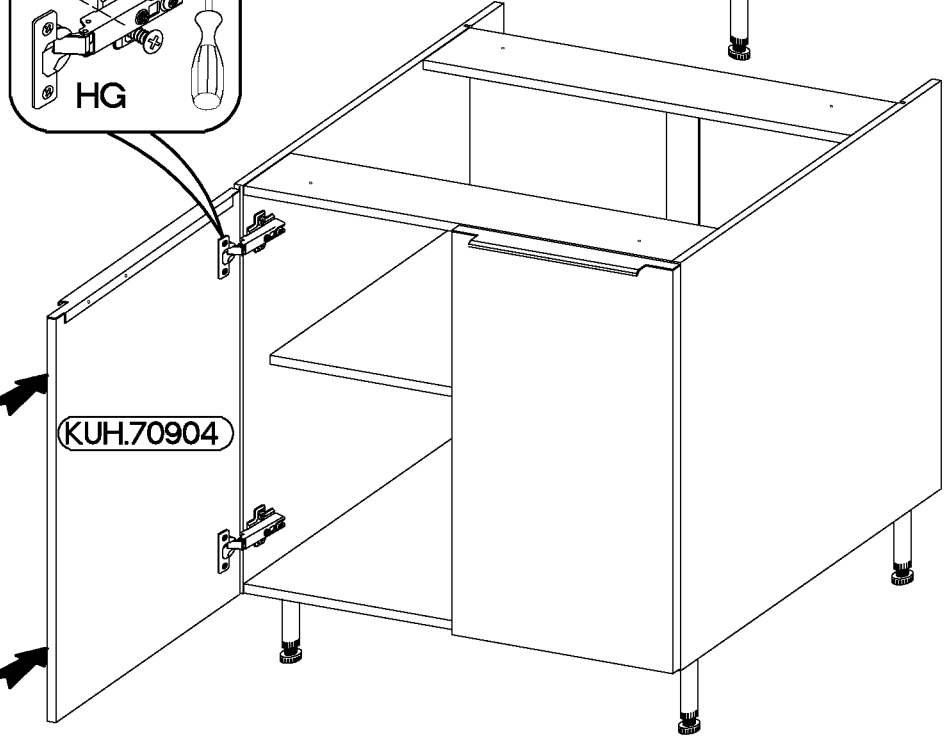
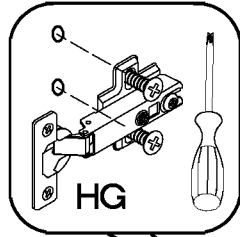
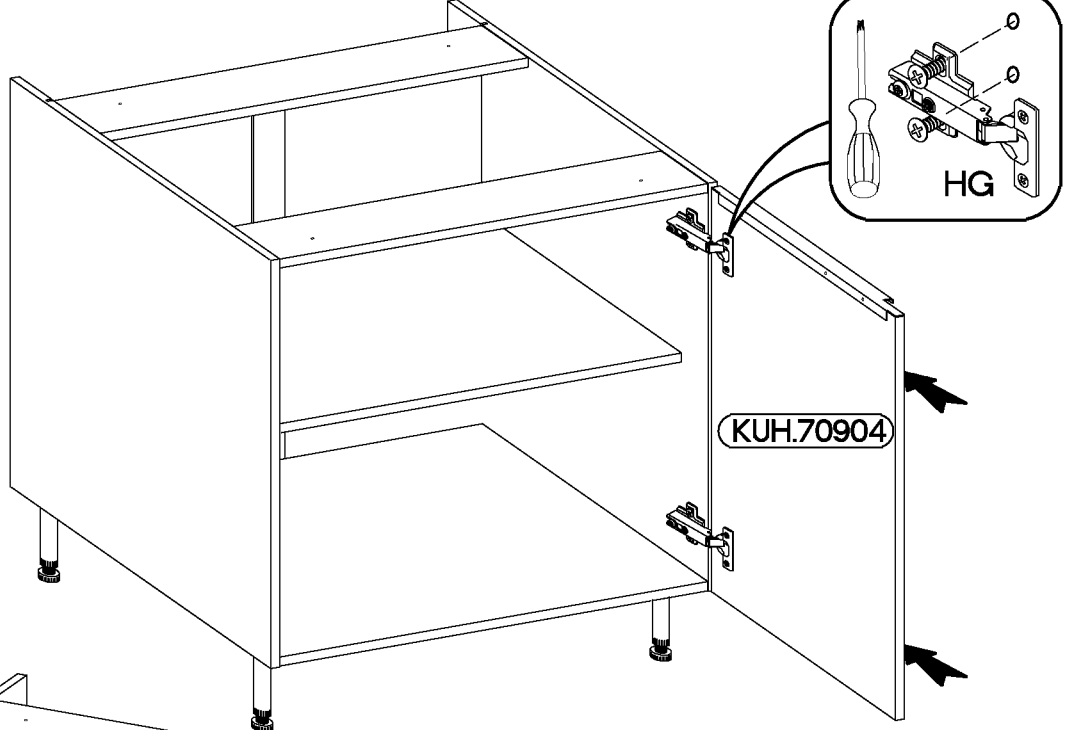


7

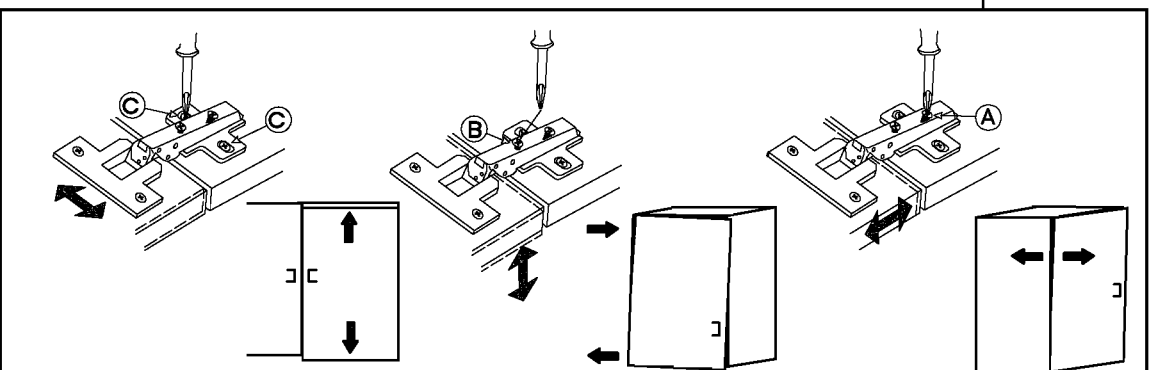
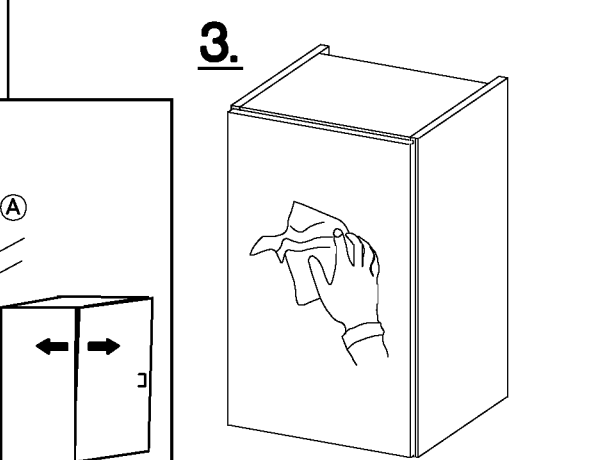
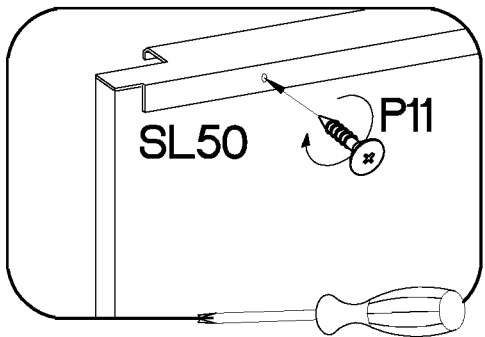
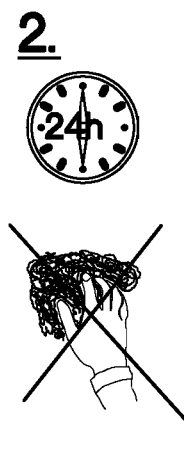
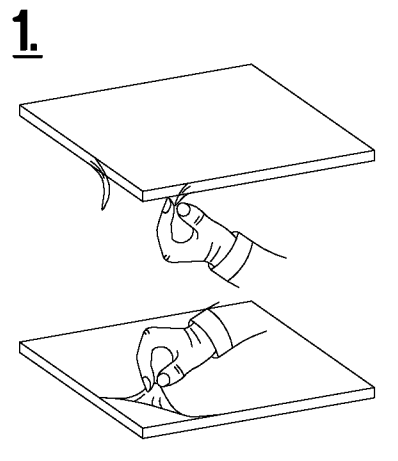
±35/0mm	±3.5x13mm
	
HG	P5
4	8

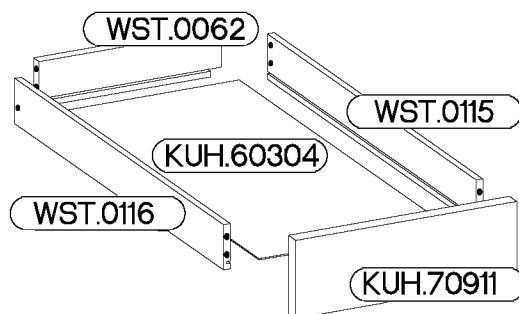
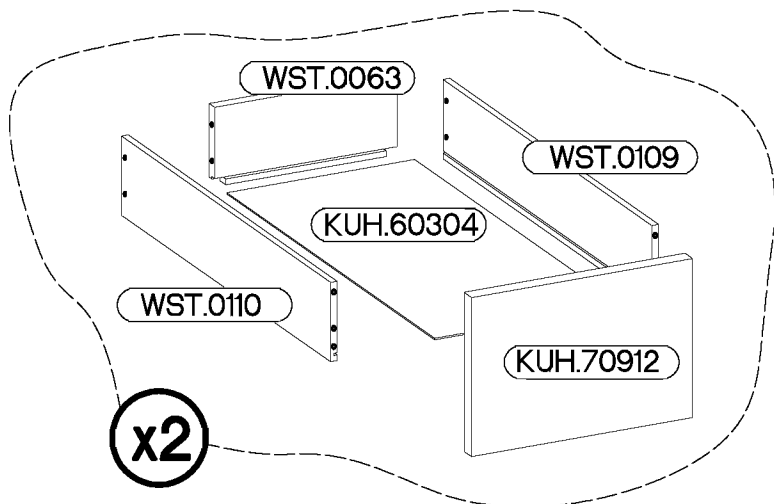
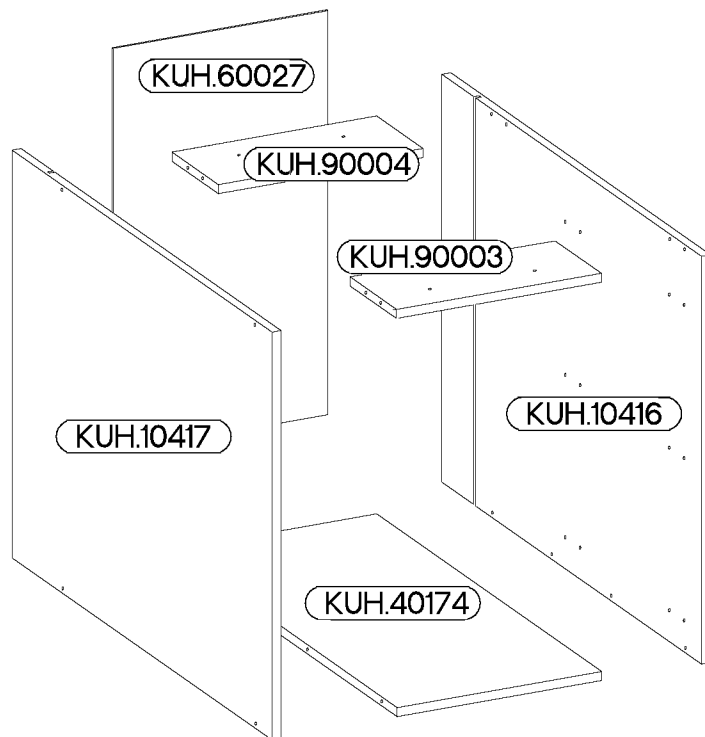
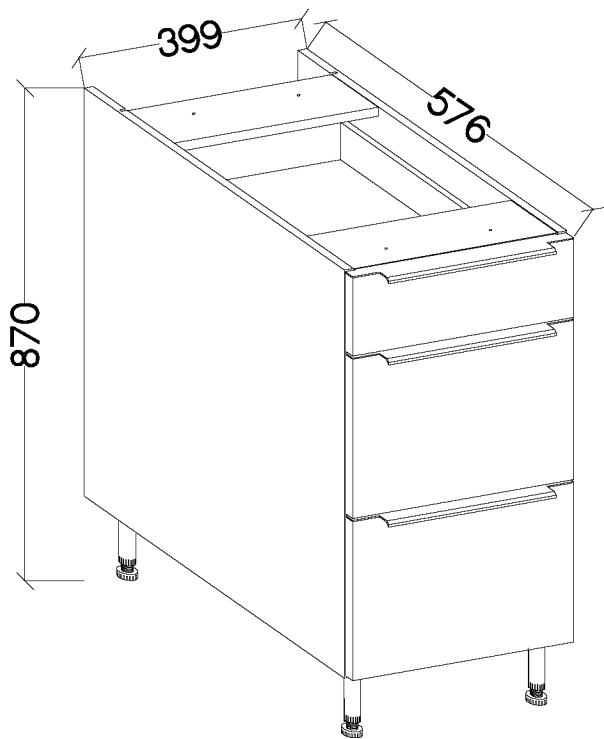


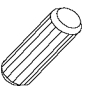



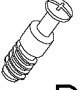

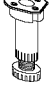
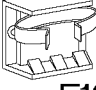
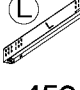
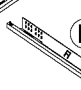
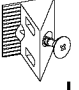






±3.0x16mm	L=395mm
	
P11	SL40
6	2



VARIANT HIGH GLOSS


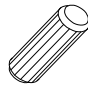


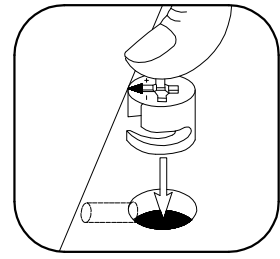
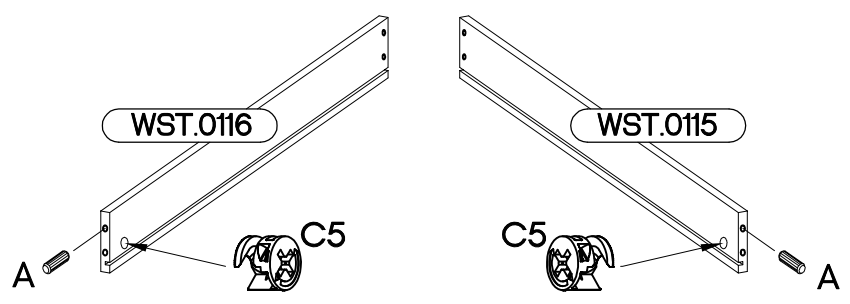
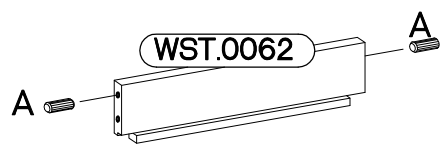
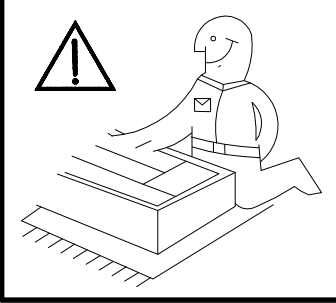


$\pm 8 \times 30 \text{mm}$  A 20	$6,4 \times 50 \text{mm}$  B 8	$\pm 6 \times 42 \text{mm}$  B2 10	$\pm 12/10 \text{mm}$  C5 6	$L=20 \text{mm}$  D2 6	 E1 8	 F15 4	 F16 4	$L=450 \text{mm}$  L  R I11 3
 L 6	$\pm 6,3 \times 13 \text{mm}$  M2 24	 O 1	$\pm 3,5 \times 13 \text{mm}$  P5 24	$\pm 3,0 \times 20 \text{mm}$  P7 8-10	$\pm 3,0 \times 16 \text{mm}$  P11 9	$L=395 \text{mm}$  SL40 3		

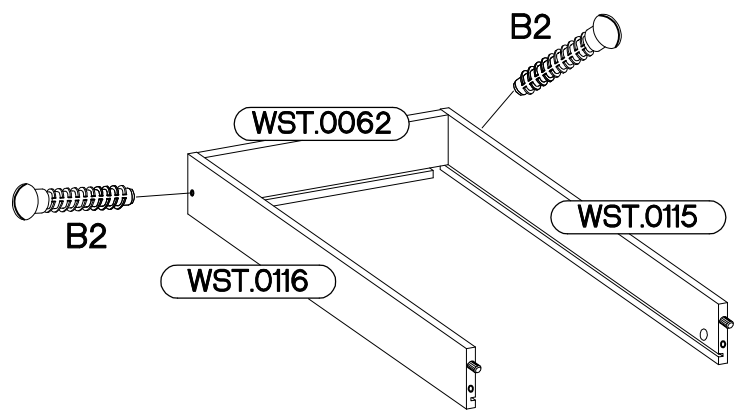
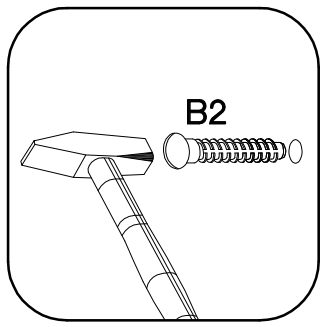
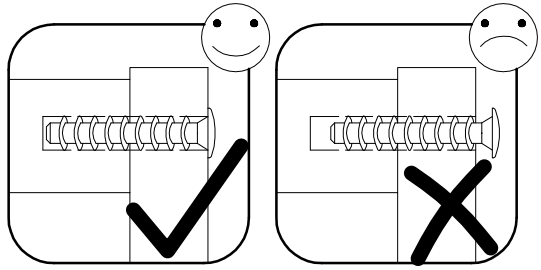
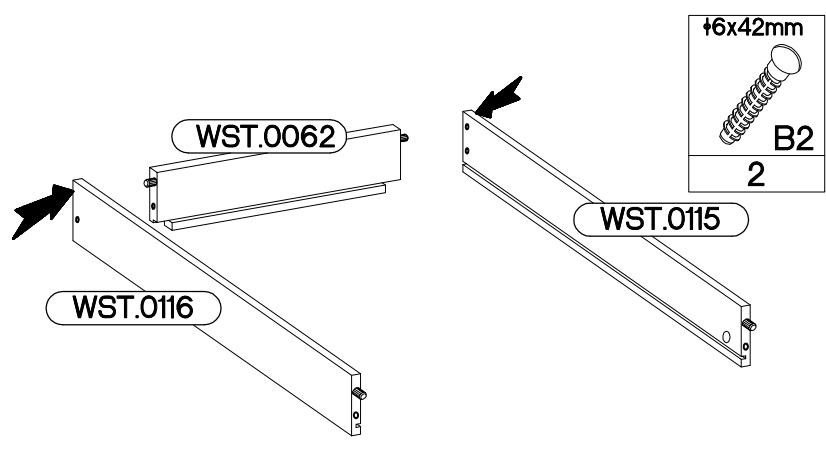
Colli	Spare Part	Dimension
Colli 2/4	KUH.10416	720x560x16
	KUH.10417	720x560x16
	KUH.40174	367x485x16
	KUH.60027	713x385x2,5
	KUH.60304 x3	338x448x2,5
	KUH.70911	138x396x16
	KUH.70912 x2	281x396x16
	KUH.90003	367x100x16
	KUH.90004	367x100x16
	WST.0062	327x80x12
	WST.0063 x2	327x140x12
	WST.0109 x2	450x140x12
	WST.0110 x2	450x140x12
	WST.0115	450x80x12
WST.0116	450x80x12	

9


±12/10mm  C5 2	±8x30mm  A 4
---------------------------------------------------------------------------------------------------------	-------------------------------------------------------------------------------------------------------

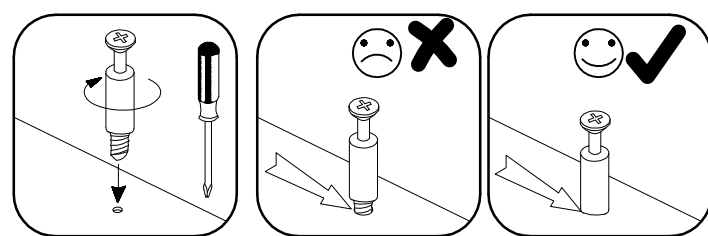
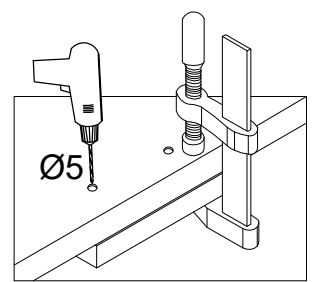
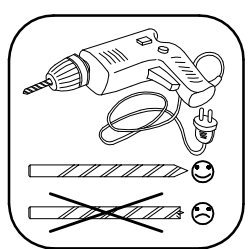
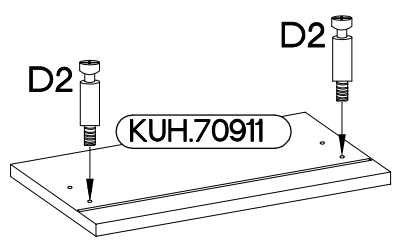


10

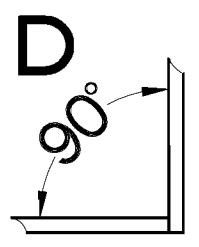
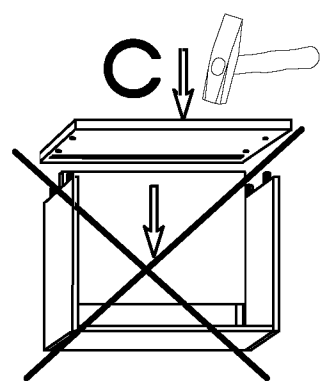
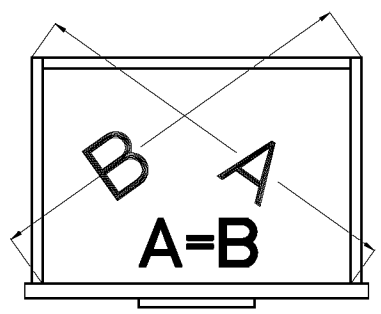
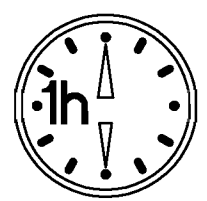
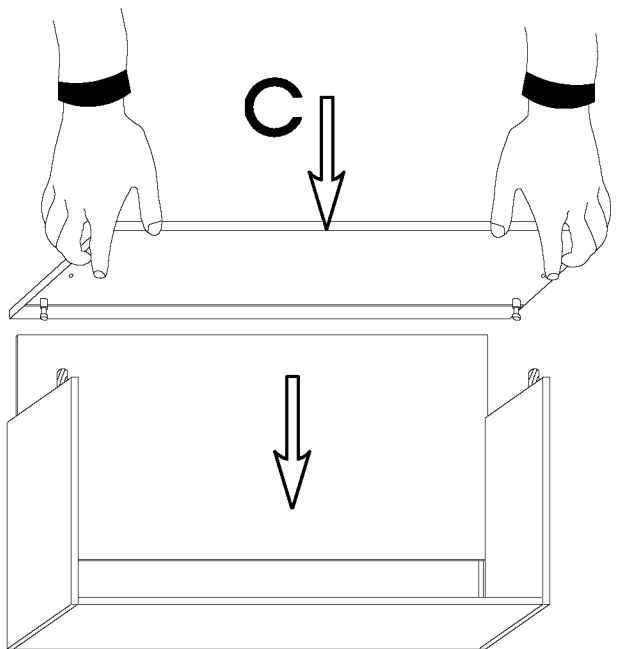
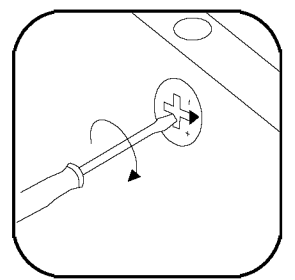
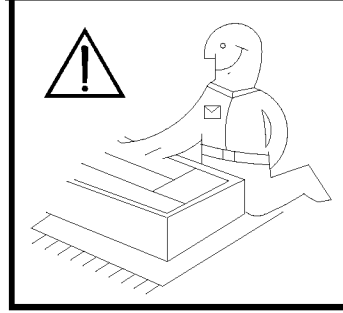
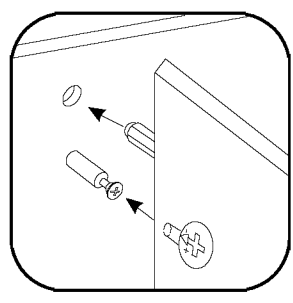
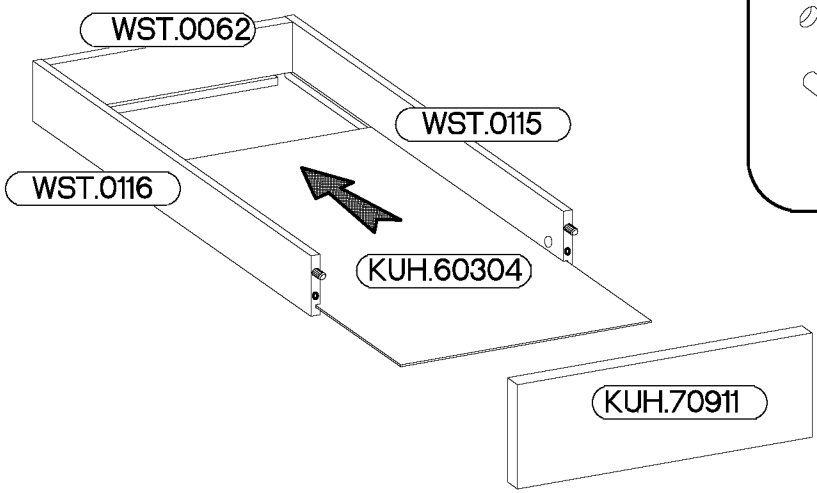


11

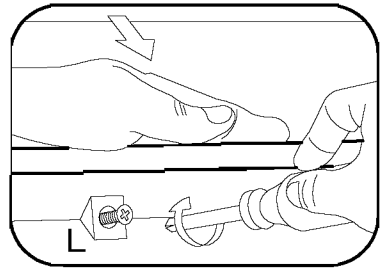
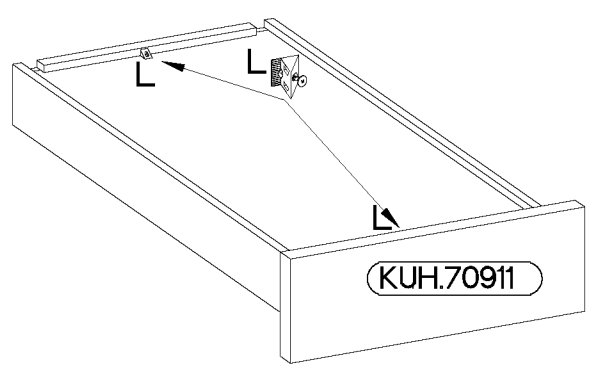
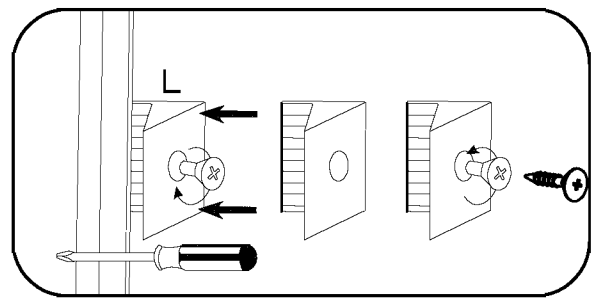
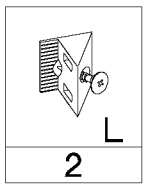
L=20mm  D2 2




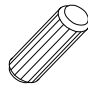
12



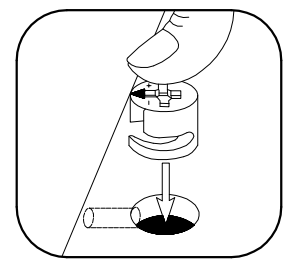
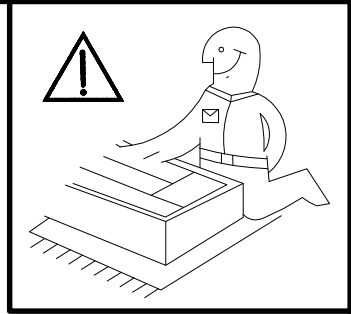
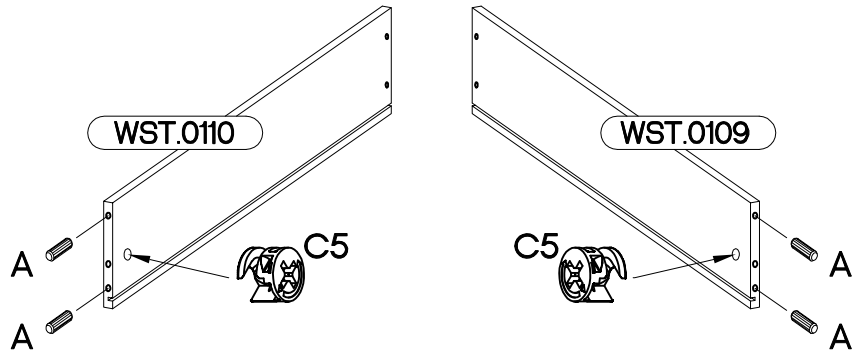
13




14

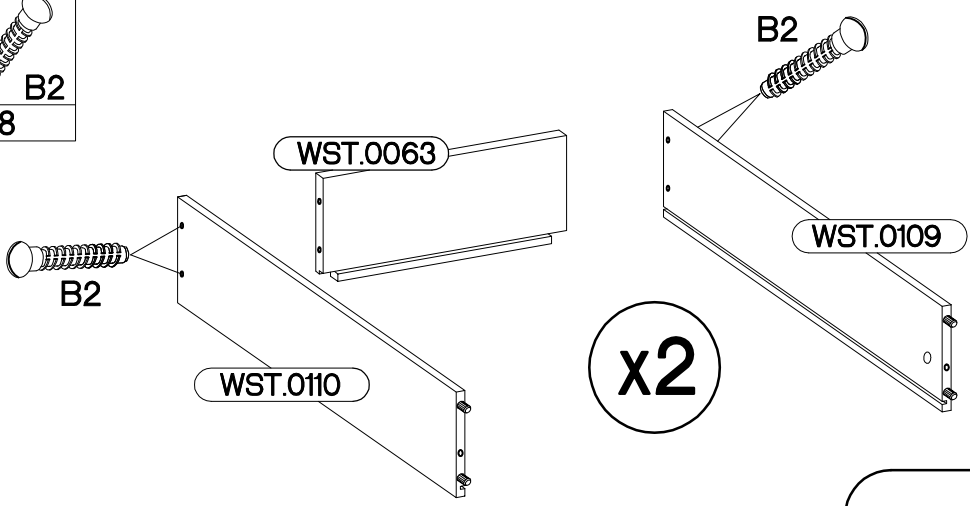
 †12/10mm C5 4	 †8x30mm A 8
---------------------------------------------------------------------------------------------------------	-------------------------------------------------------------------------------------------------------

x2

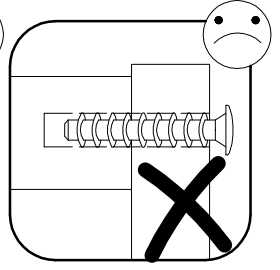
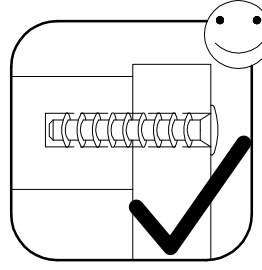
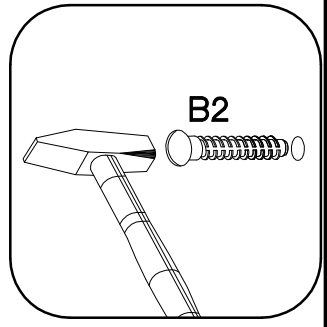


15

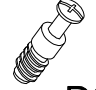
 †6x42mm B2 8

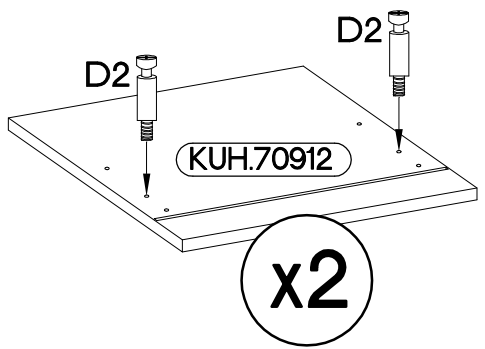


x2

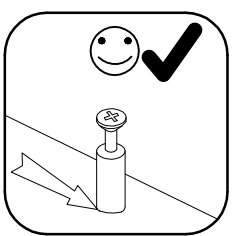
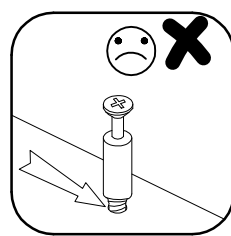
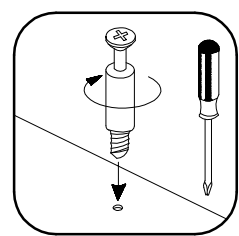
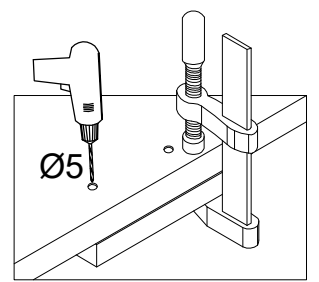
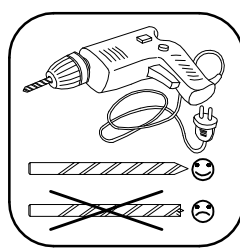


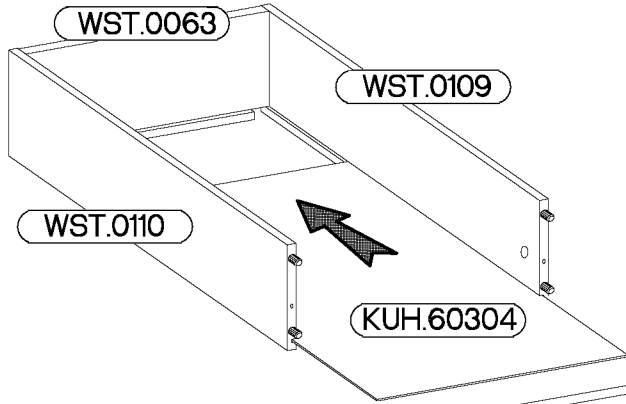
16

 L=20mm D2 4

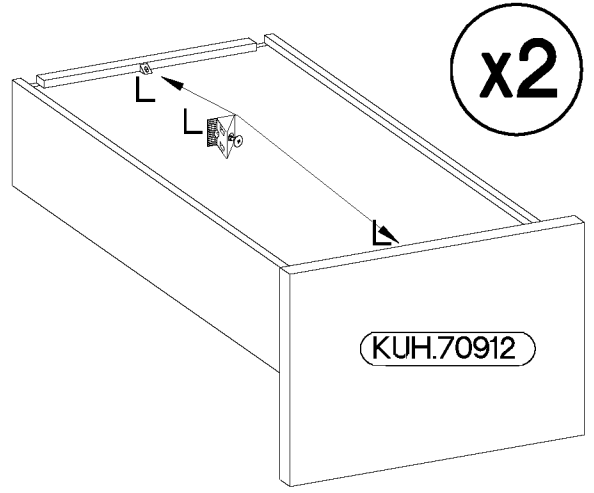
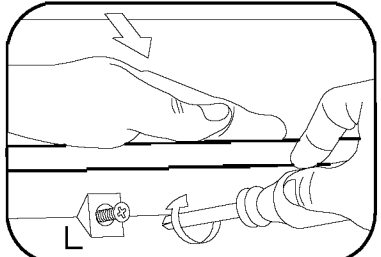
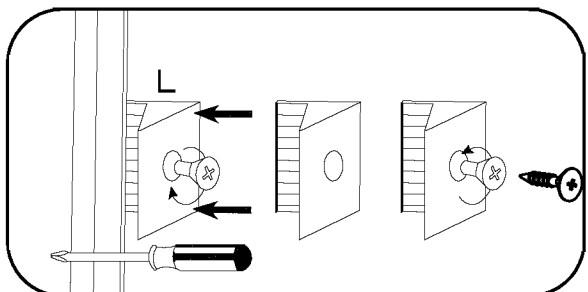
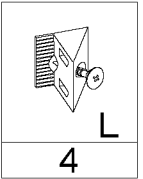
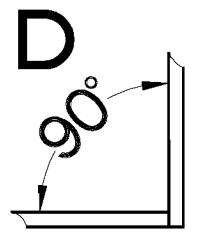
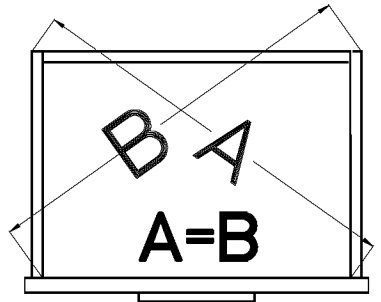
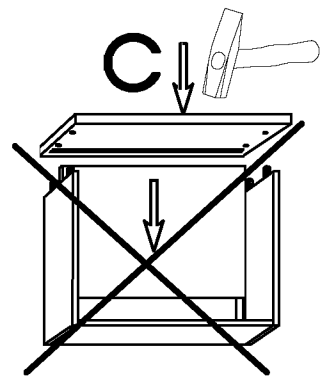
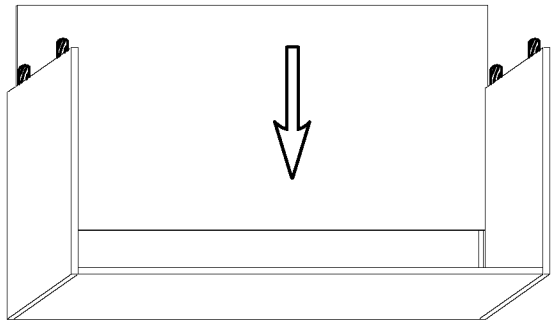
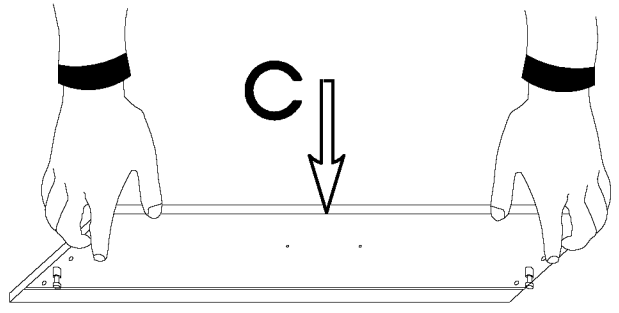
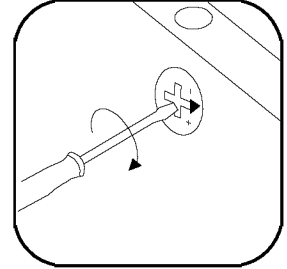
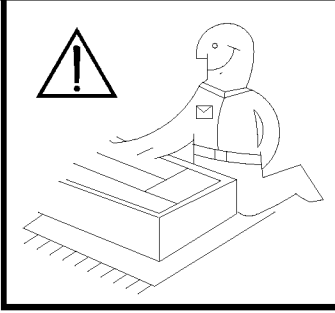
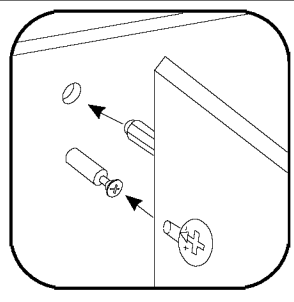
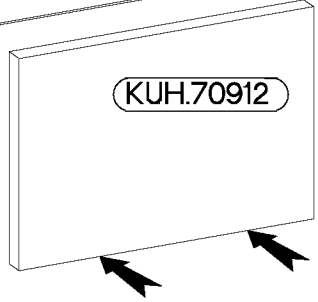


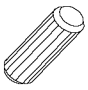
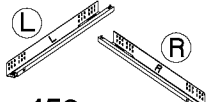

x2

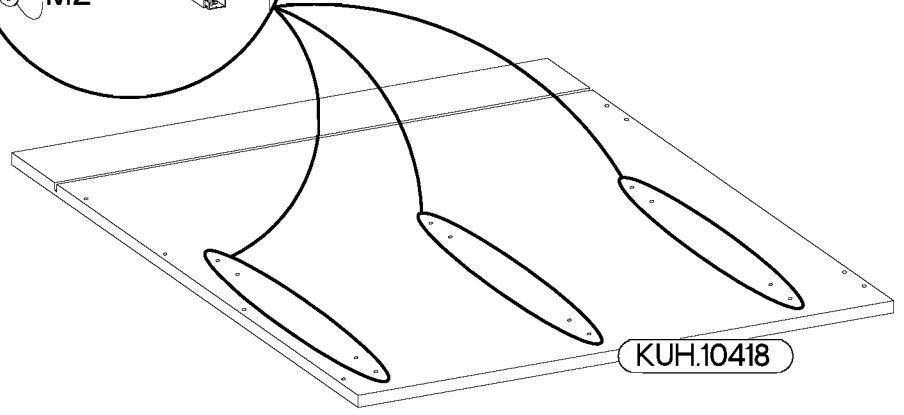
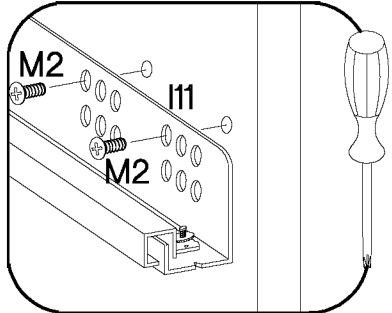
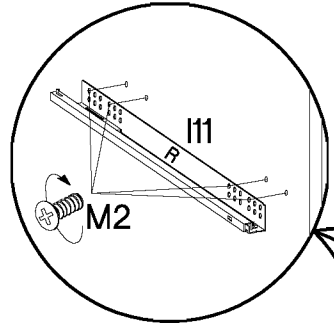
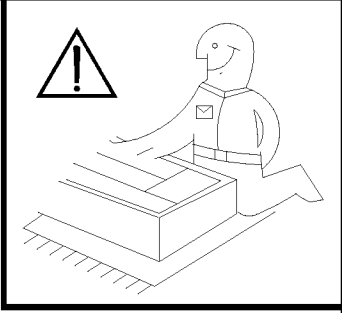




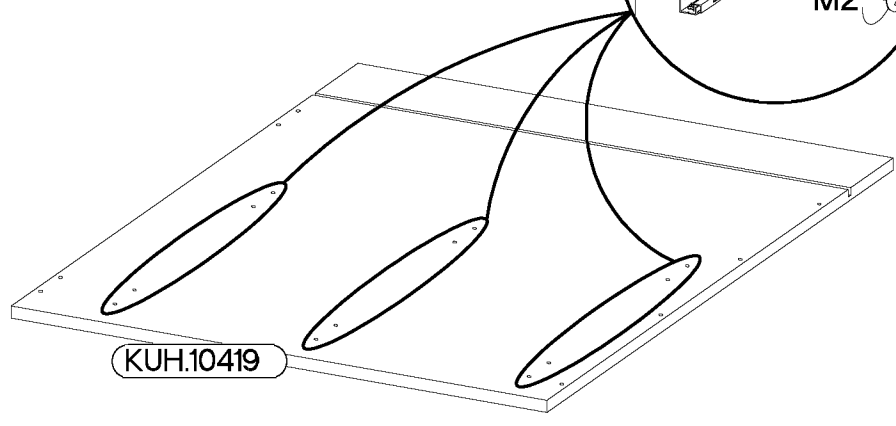
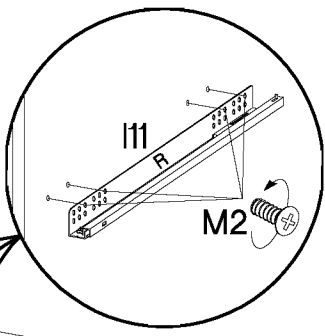
x2



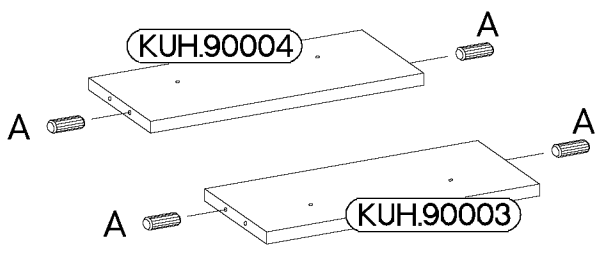
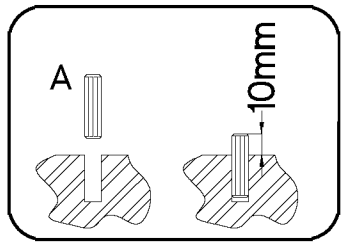
 +8x30mm A L=450mm 4	 L R L=450mm 3	 +6.3x13mm M2 24
---------------------------------------------------------------------------------------------------------------	---------------------------------------------------------------------------------------------------------	-----------------------------------------------------------------------------------------------------------



KUH.10418



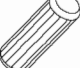


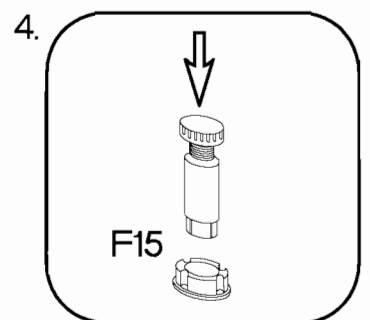
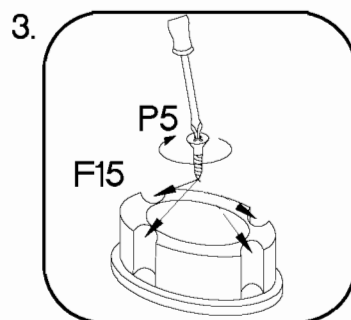
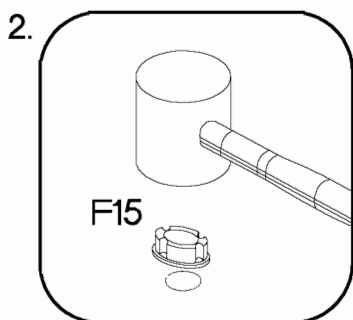
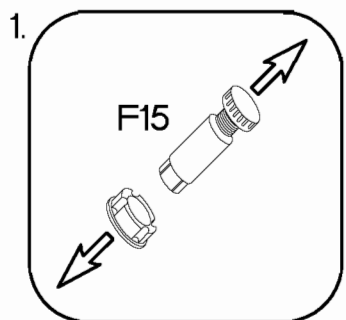
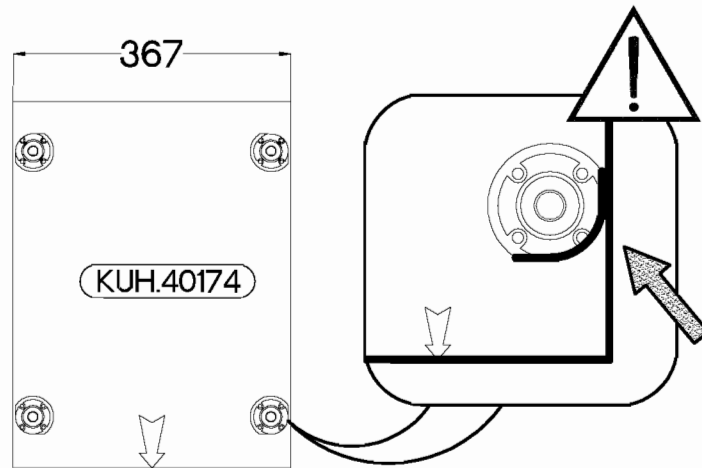
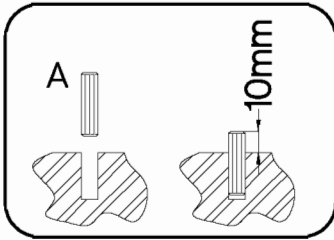
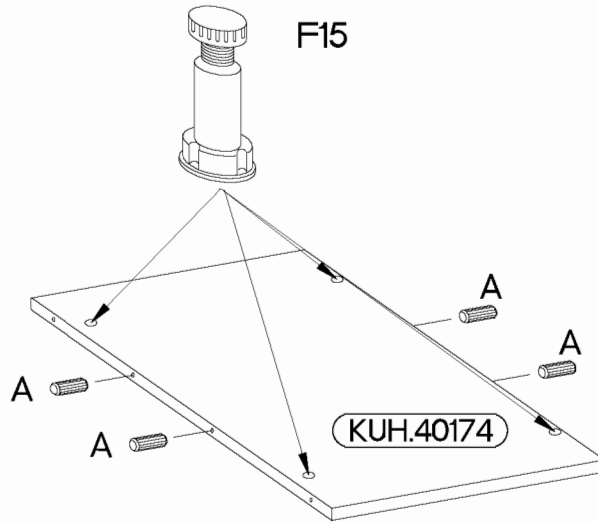
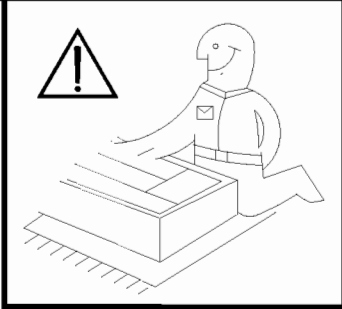
KUH.10419




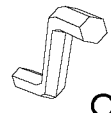
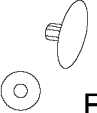
KUH.90004

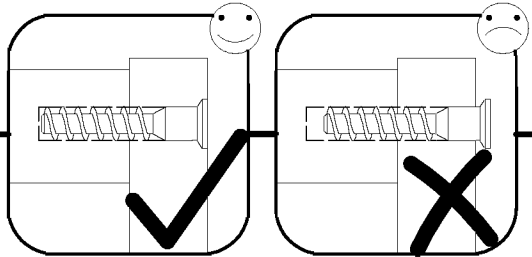
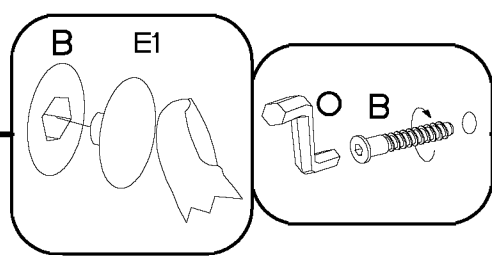
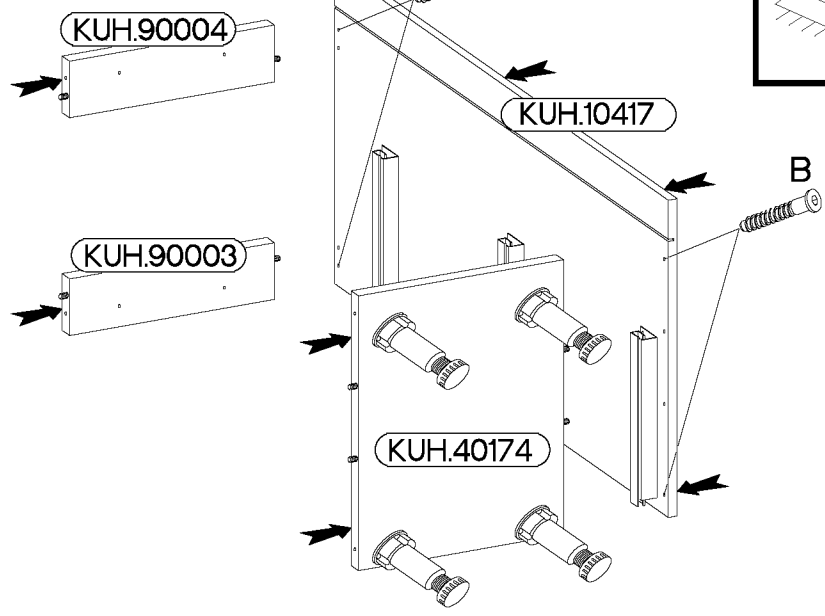
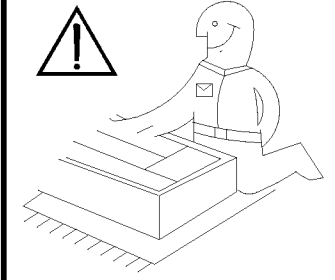
KUH.90003

±3.5x13mm  P5 16	 F15 4	±8x30mm  A 4
-----------------------------------------------------------------------------------------------------------	----------------------------------------------------------------------------------------------	-------------------------------------------------------------------------------------------------------


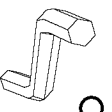
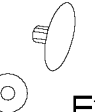


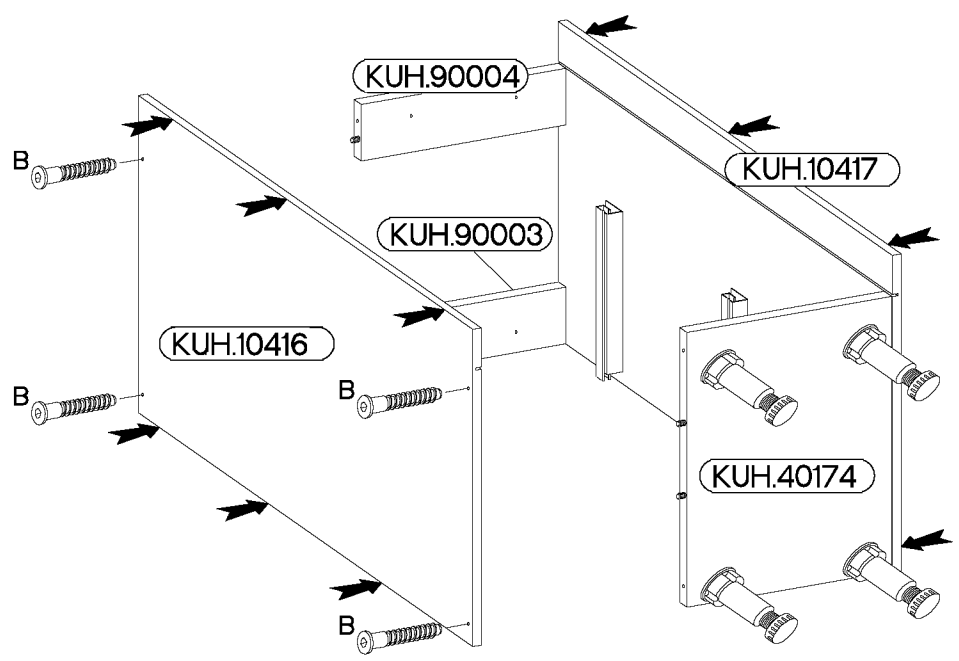
21

6,4 x 50mm		
		
B	O	E1
4	1	4



22

6,4 x 50mm		
		
B	O	E1
4	1	4

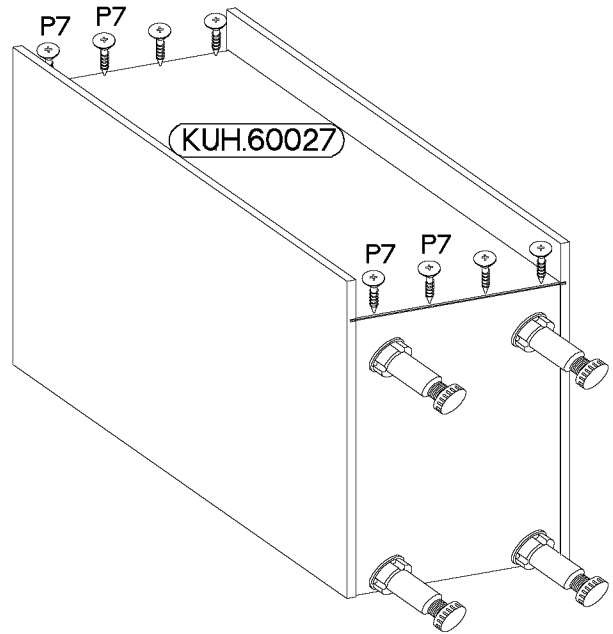
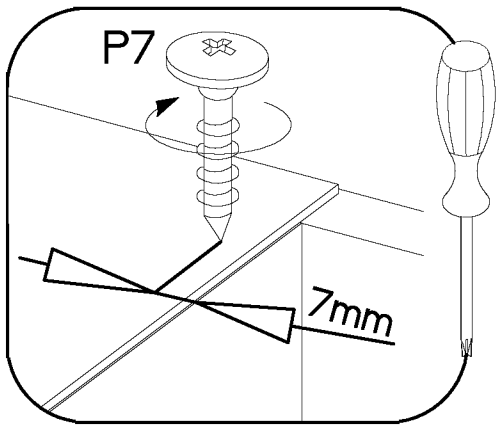
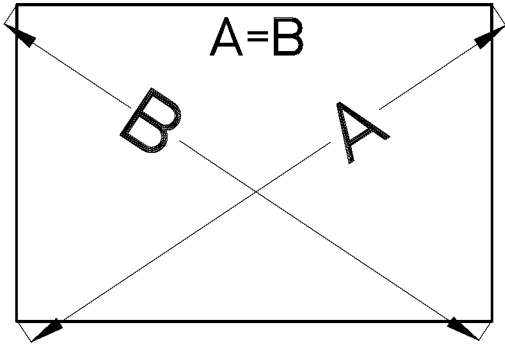
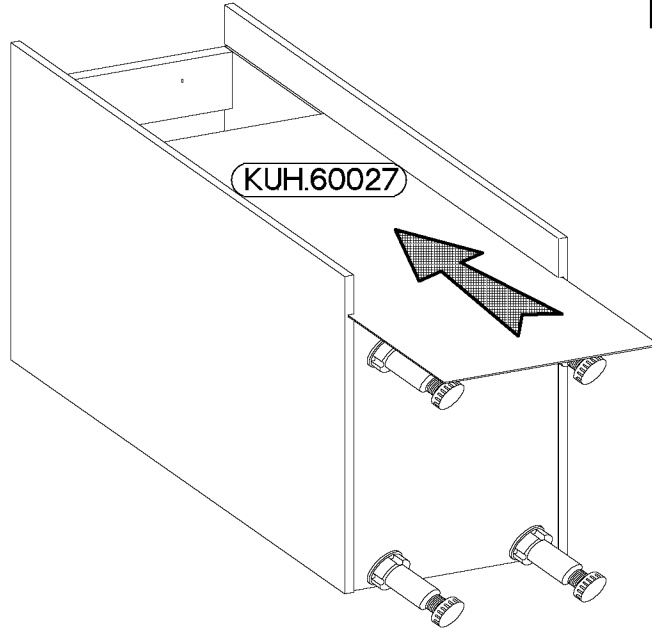
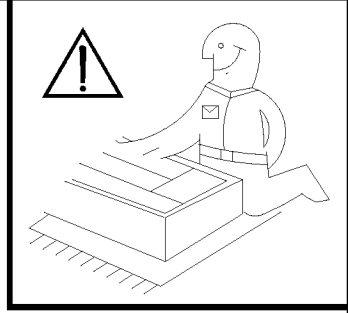




3.0x20mm

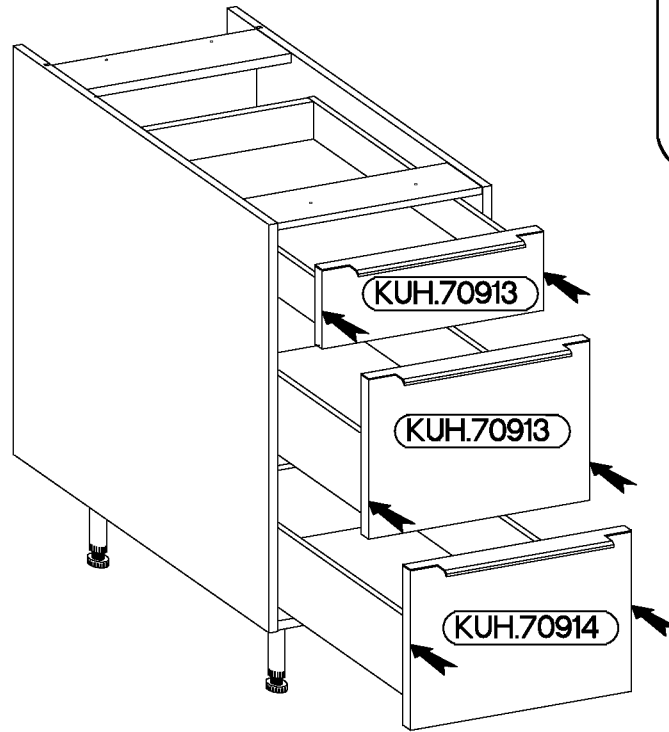
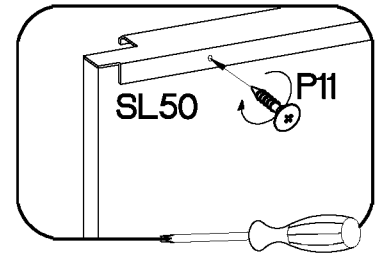


P7

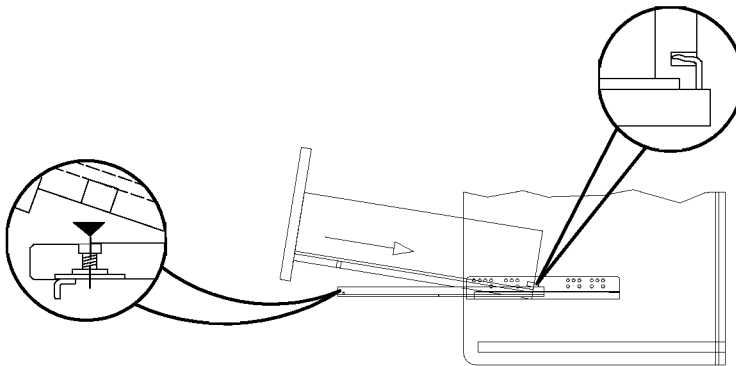
8-10



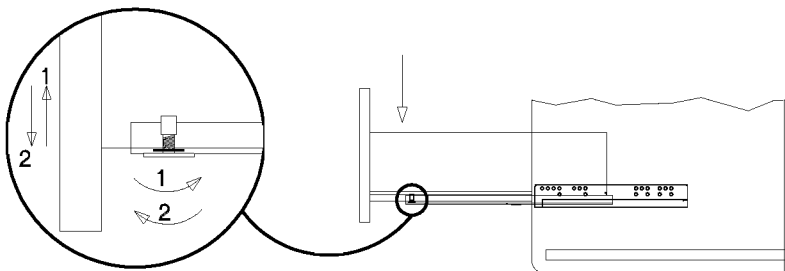
±3.0x16mm	L=395mm
	
P11	SL40
9	3



1.

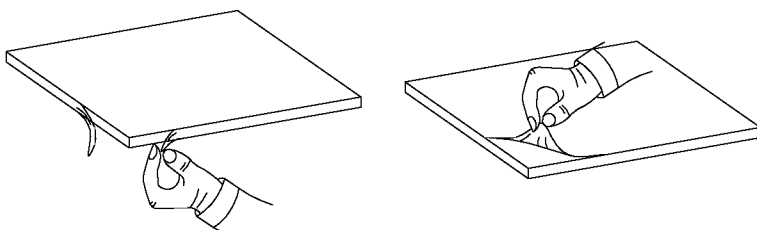


2.

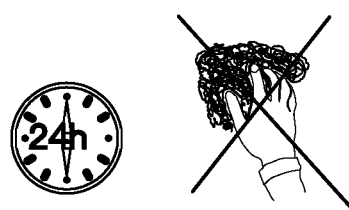


VARIANT HIGH GLOSS

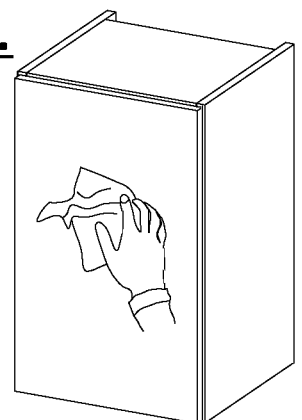
1.

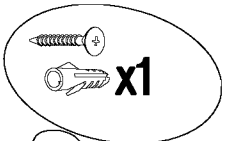
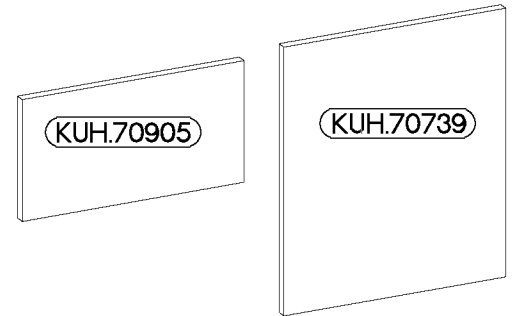
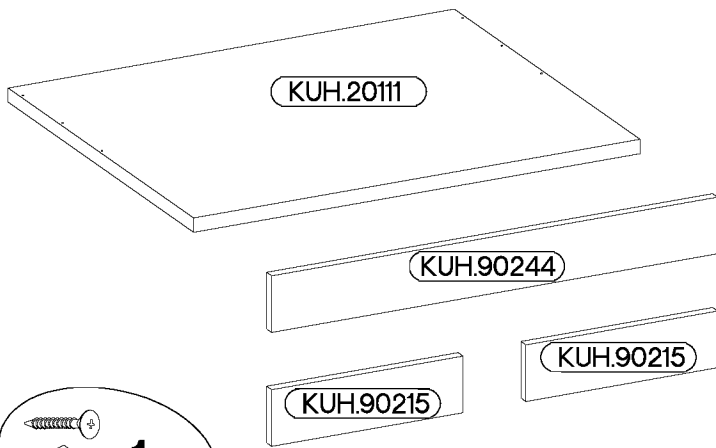
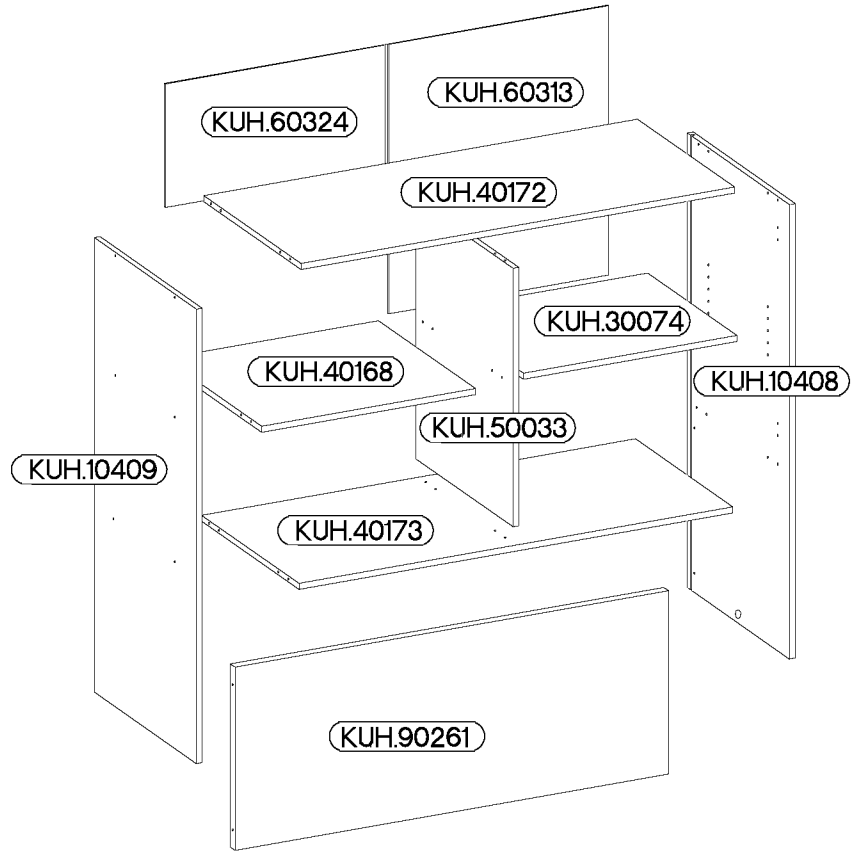
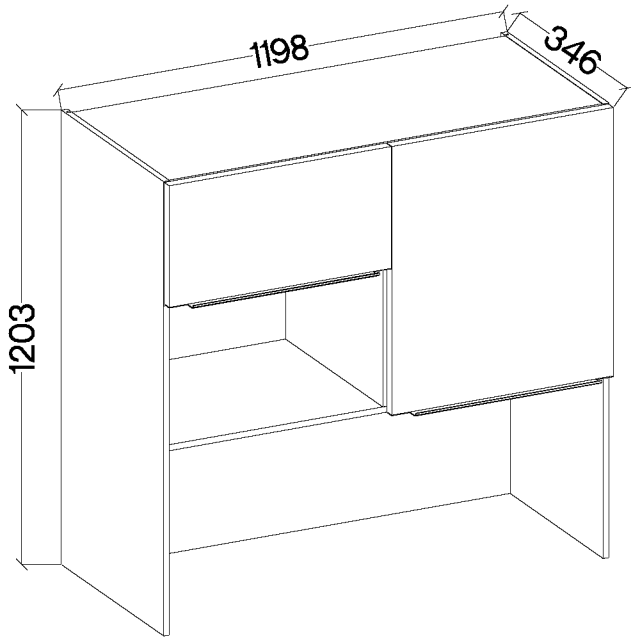


2.



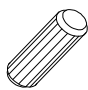

3.

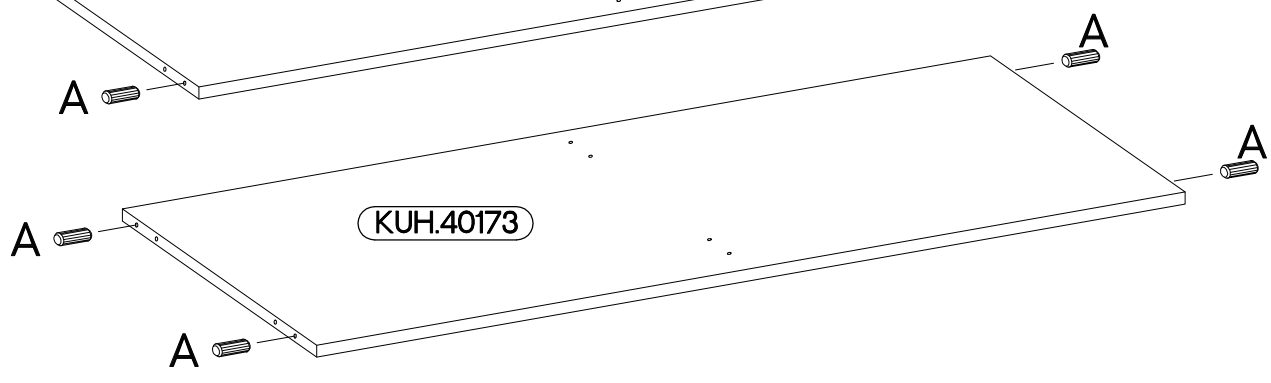
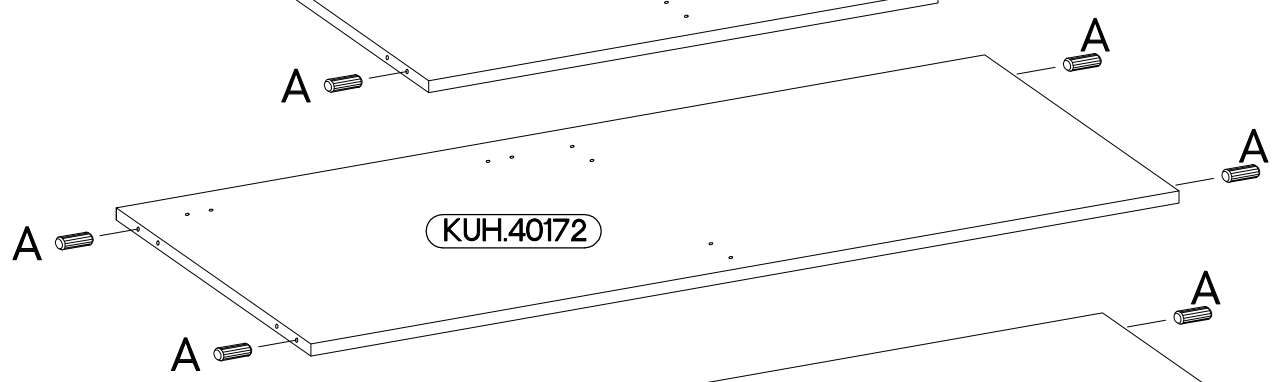
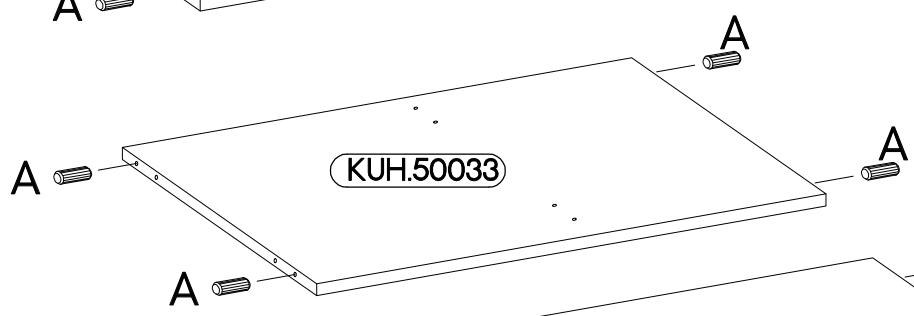
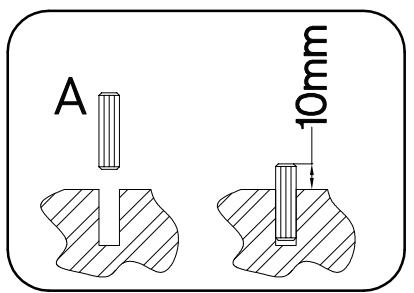
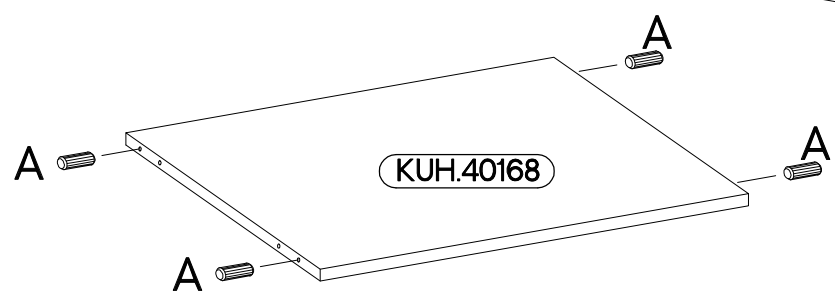
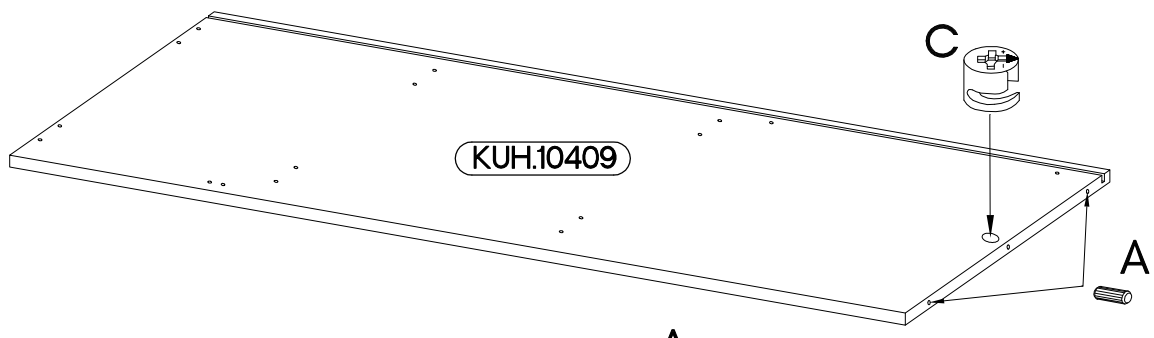
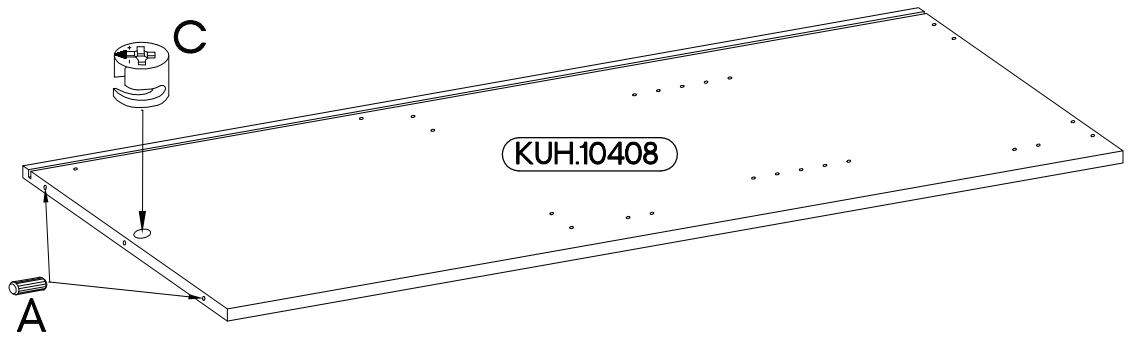
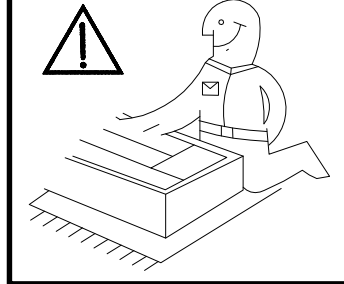
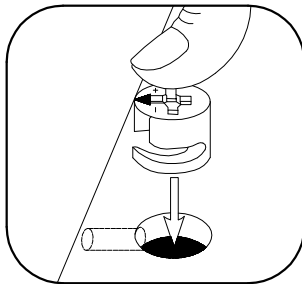




+8x30mm A 20	6,4 x 50mm B 20	+15/12mm C 2	L=20mm D2 2	 E1 20	+35/0mm HG 4
+5/16mm J3 4	 J5 2	 K24 2		 L2 4	120x30x15mm L25 1
L=1200 L35 1	 O 1	+3.5x13mm P5 26	+3.0x20mm P7 25-30	+3.0x16mm P11 8	+4.0x35mm R3 8
					L=595mm SL60 2

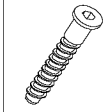
Colli	Spare Part	Dimension
Colli 3/4	KUH.10408	1203x330x16
	KUH.10409	1203x330x16
	KUH.30074	574x288x16
	KUH.40168	575x314x16
	KUH.40172	1166x314x16
	KUH.50033	684x314x16
	KUH.90215 x2	515x150x16
	KUH.90244	1199x150x16
Colli 4/4	KUH.2011	1200x600x38
	KUH.60313	713x591x2,5
	KUH.60324	327x591x2,5
	KUH.70739	711x596x16
	KUH.70905	322x596x16
	KUH.90261	485x1166x16

$\varnothing 8 \times 30 \text{mm}$  A 20	$\varnothing 15 / 12 \text{mm}$  C 2
------------------------------------------------------------------------------------------------------------------------------------	-------------------------------------------------------------------------------------------------------------------------------



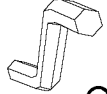
26

6,4 x 50mm



B

4



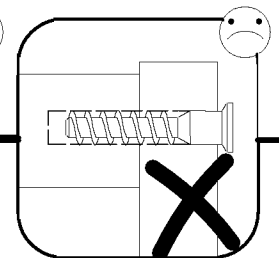
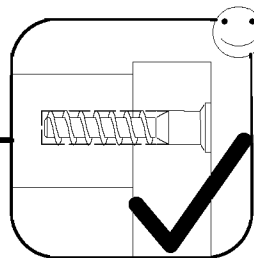
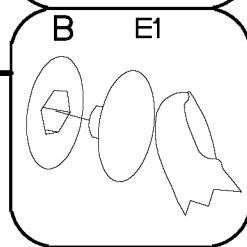
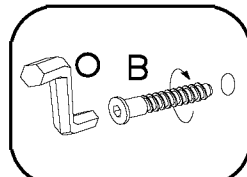
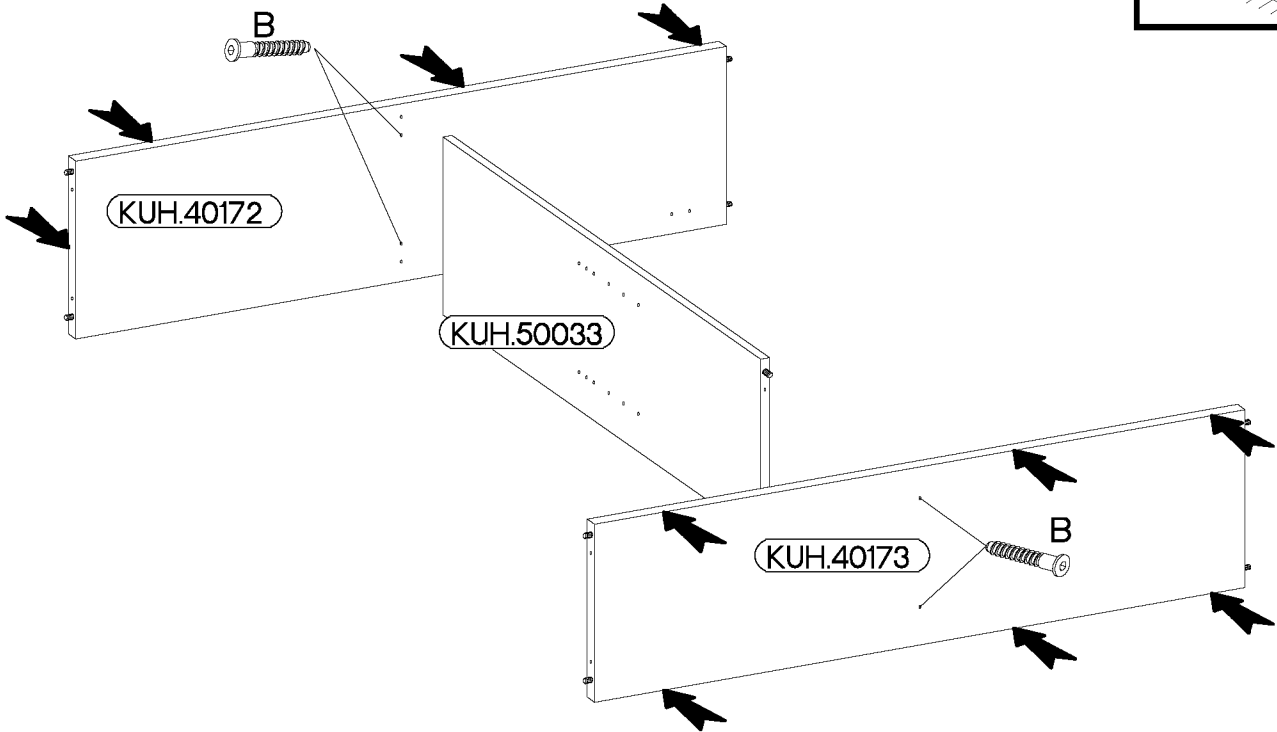
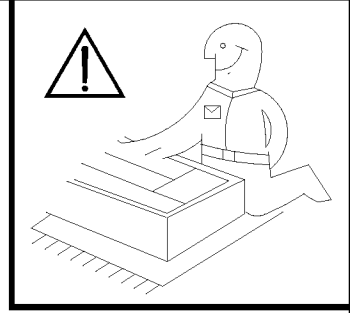
O

1



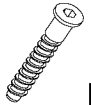
E1

4



27

6,4 x 50mm



B

2



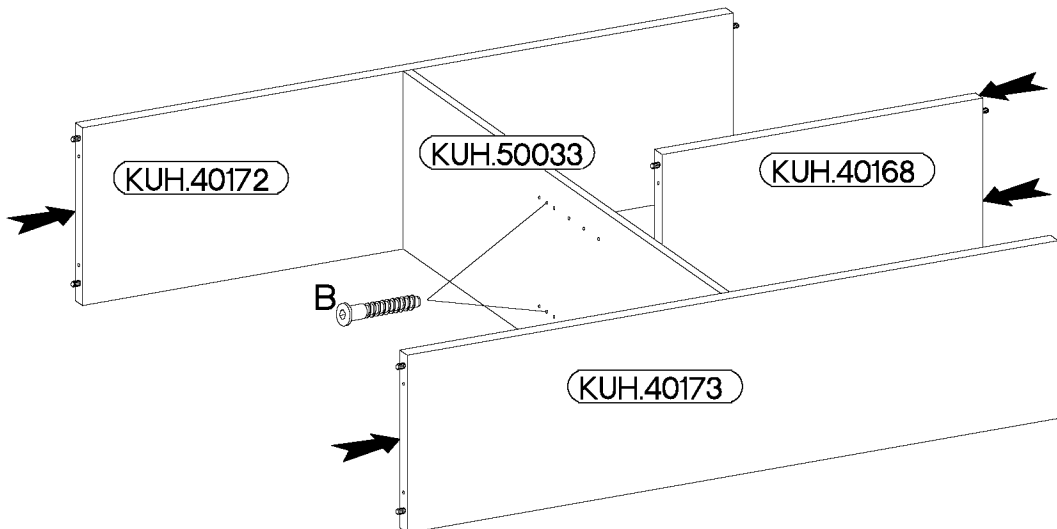
O

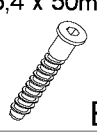
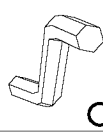

1

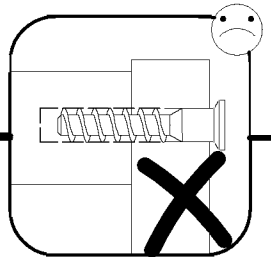
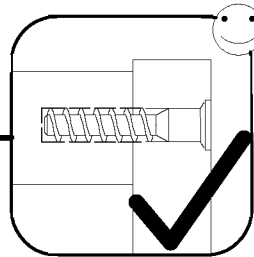
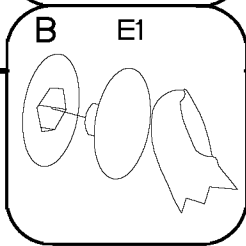
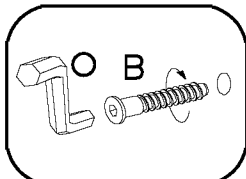
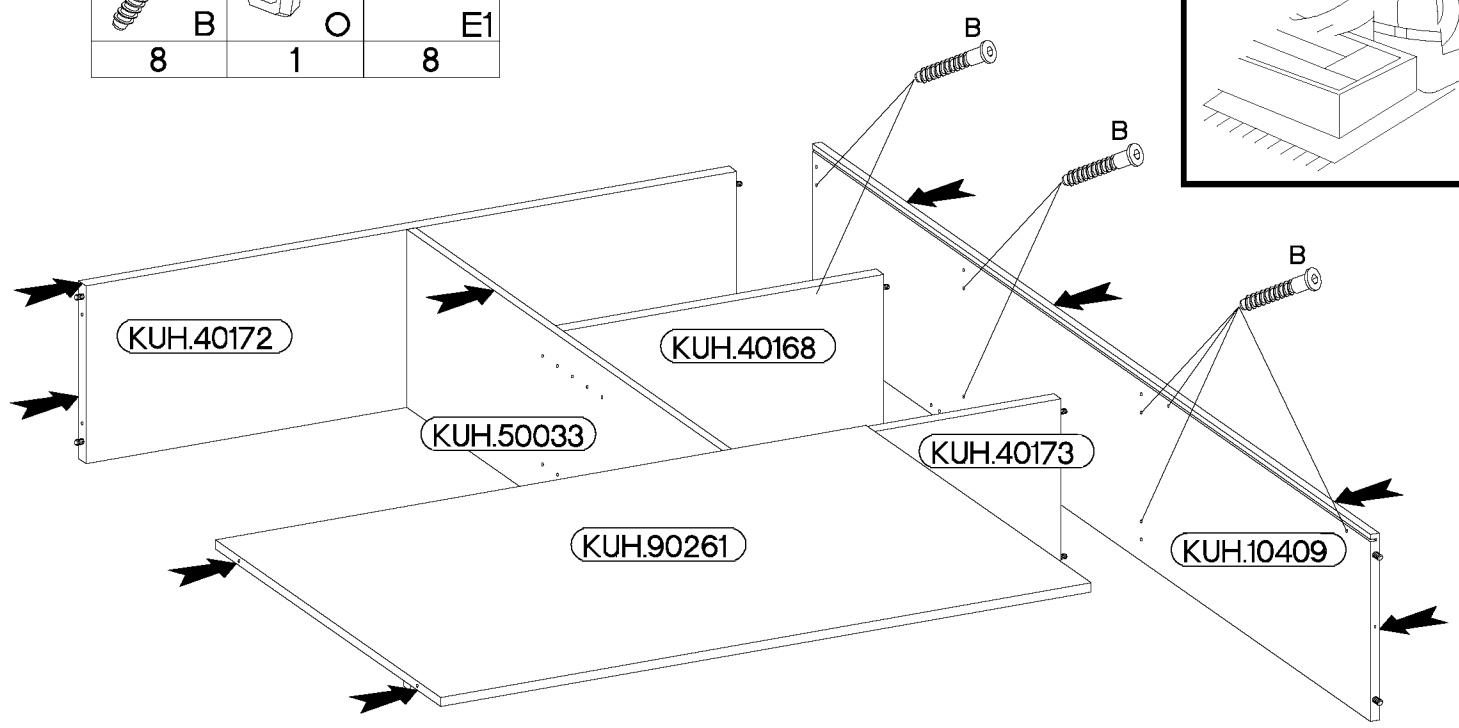
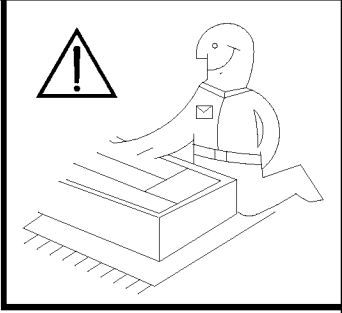


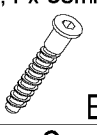
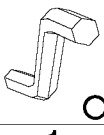

E1

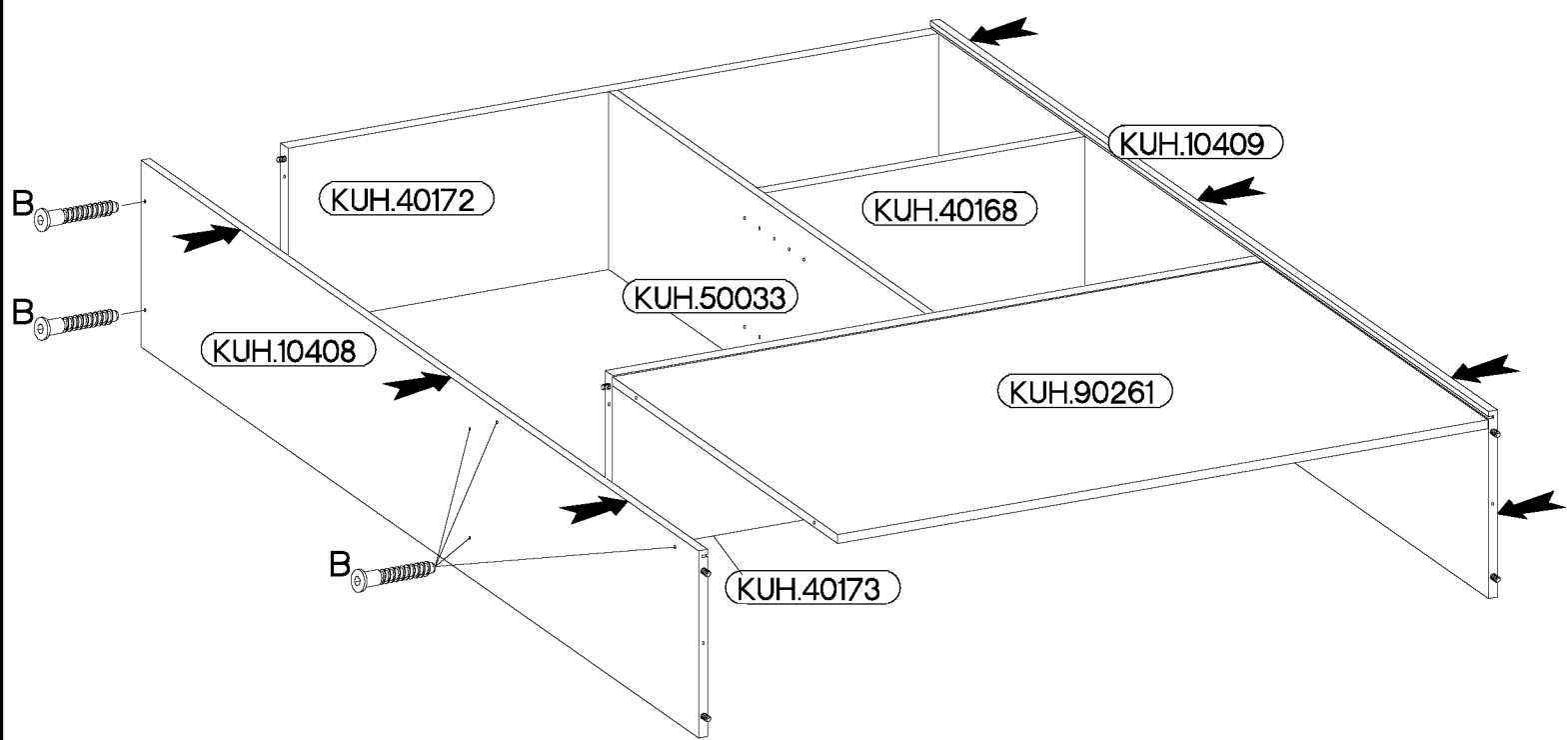
2



6,4 x 50mm		
		
B	O	E1
8	1	8



6,4 x 50mm		
		
B	O	E1
6	1	6

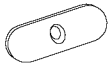


±3.0x20mm



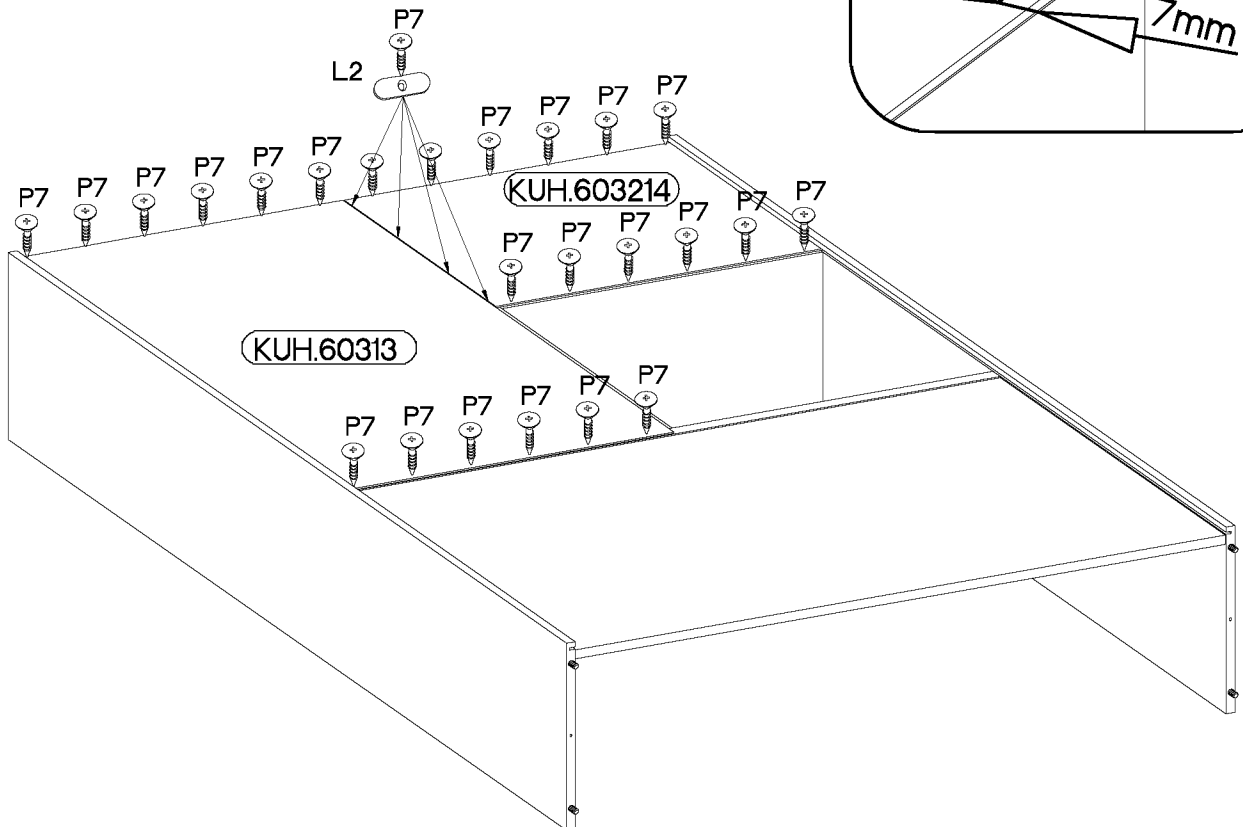
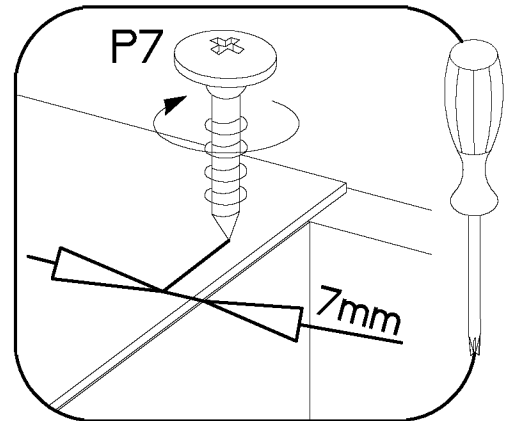
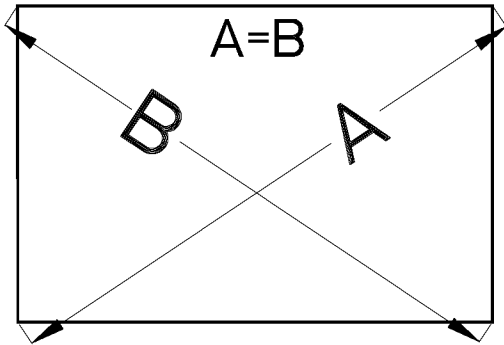
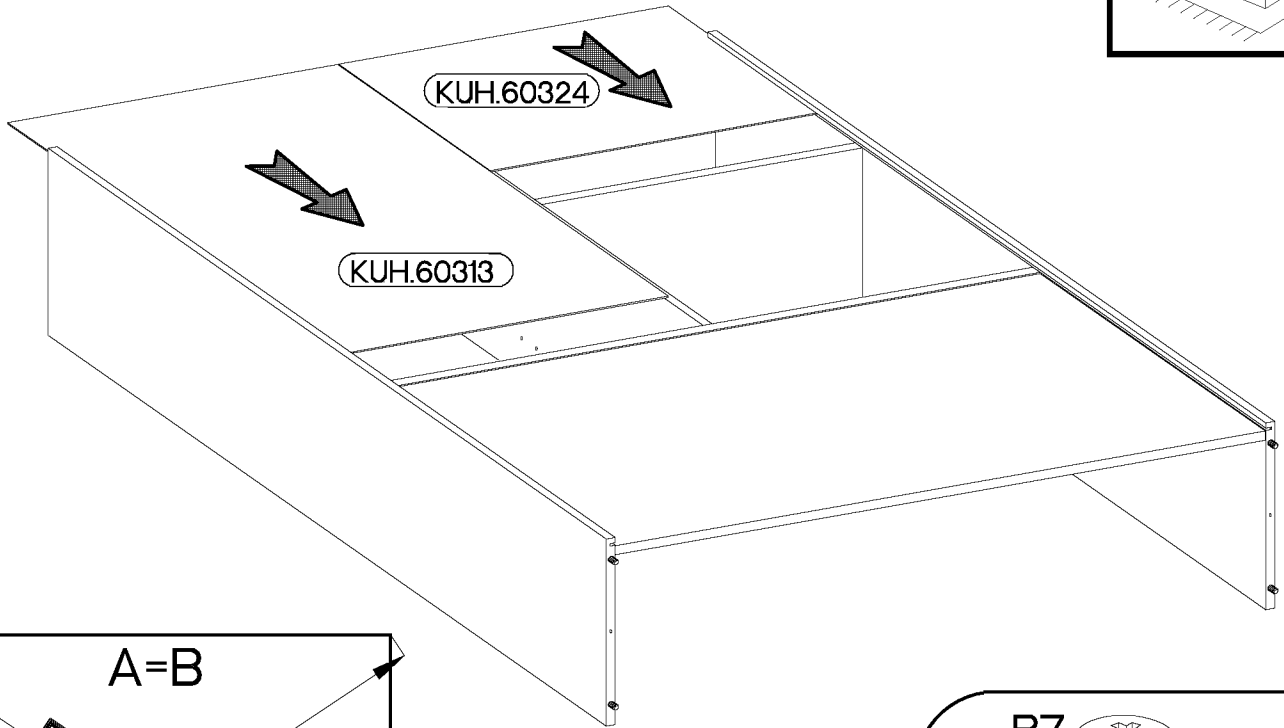
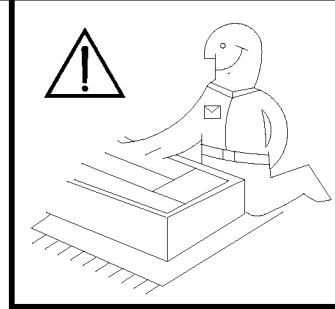
P7


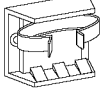
25-30

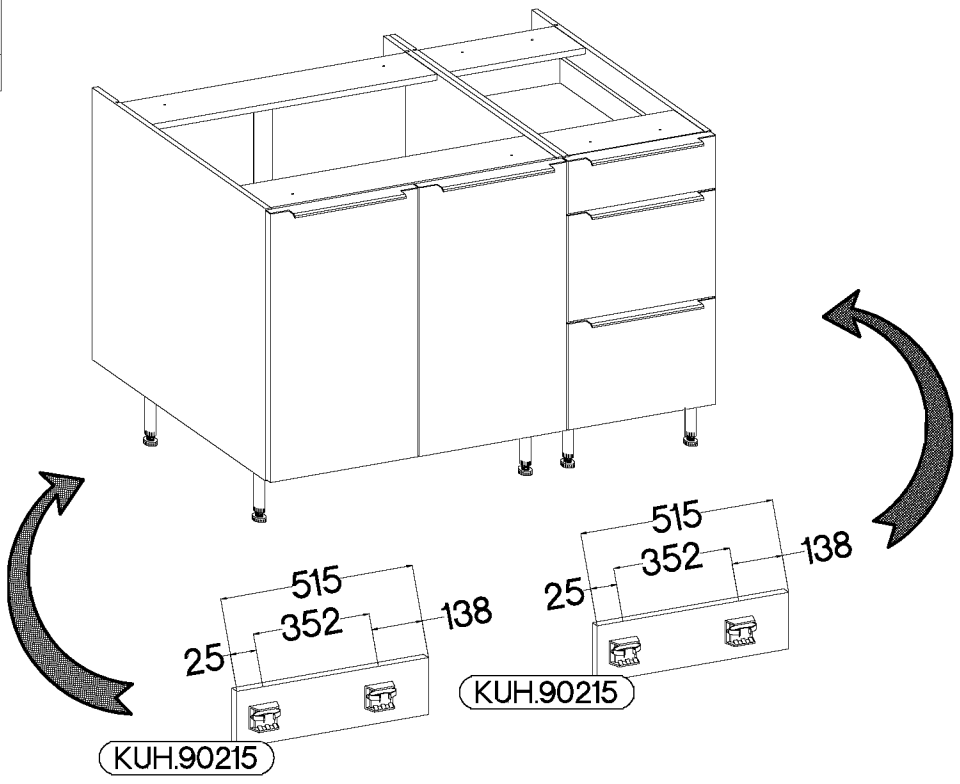


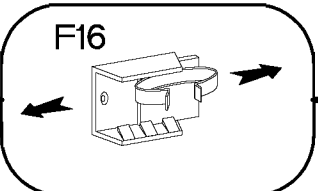
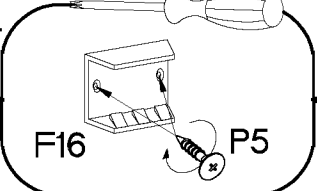
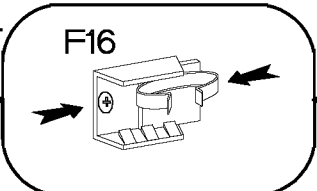
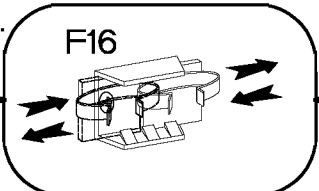
L2

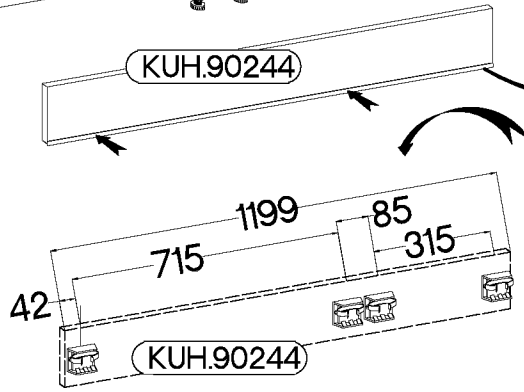
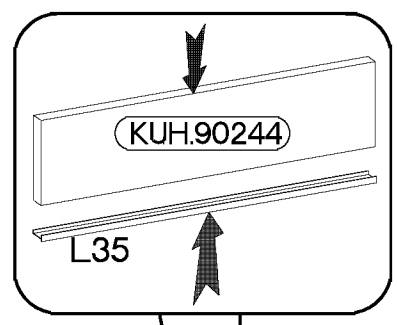
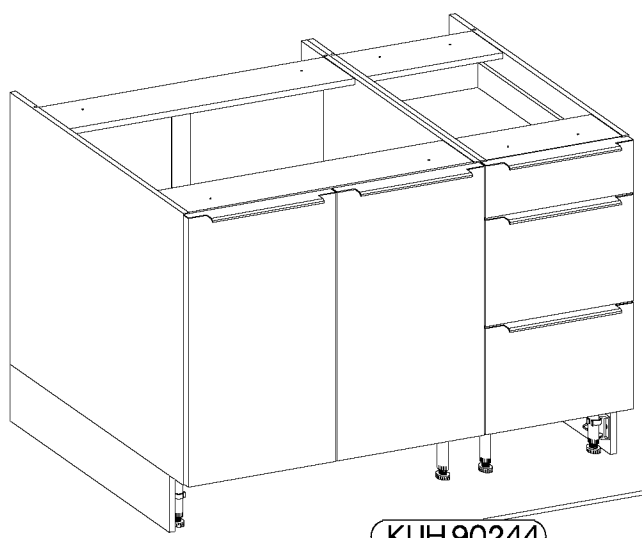
4


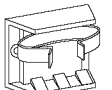
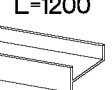


$\varnothing 3.5 \times 13 \text{mm}$  P5 8	 F16 4
--------------------------------------------------------------------------------------------------------------------------------------	----------------------------------------------------------------------------------------------

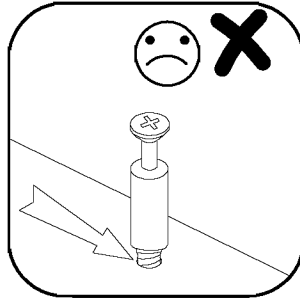
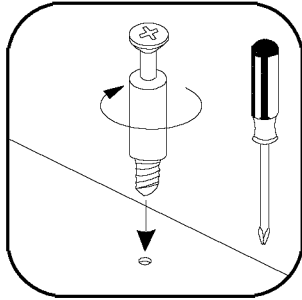
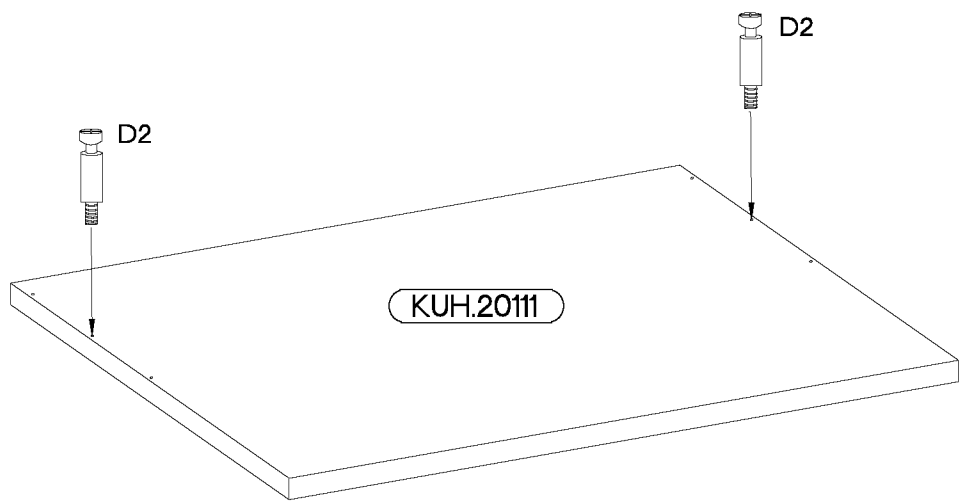
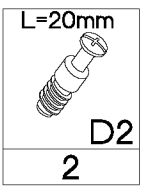


1. 
2. 
3. 
4. 

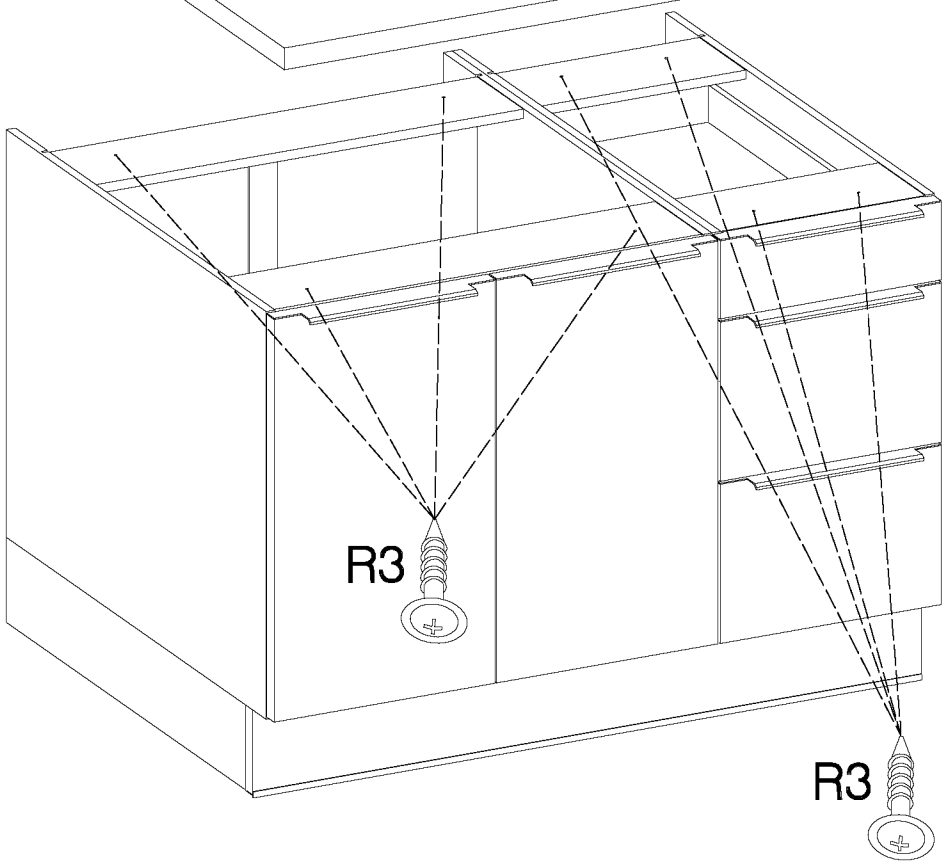
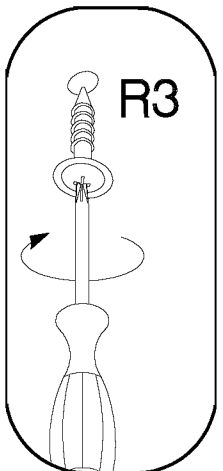
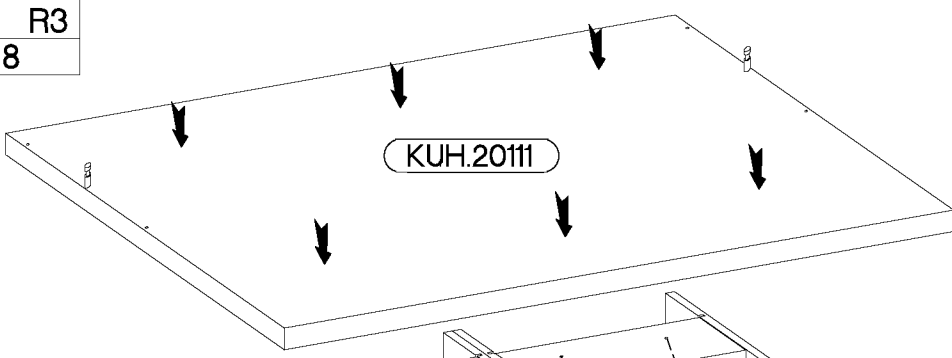
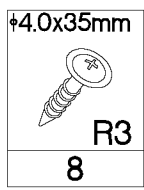


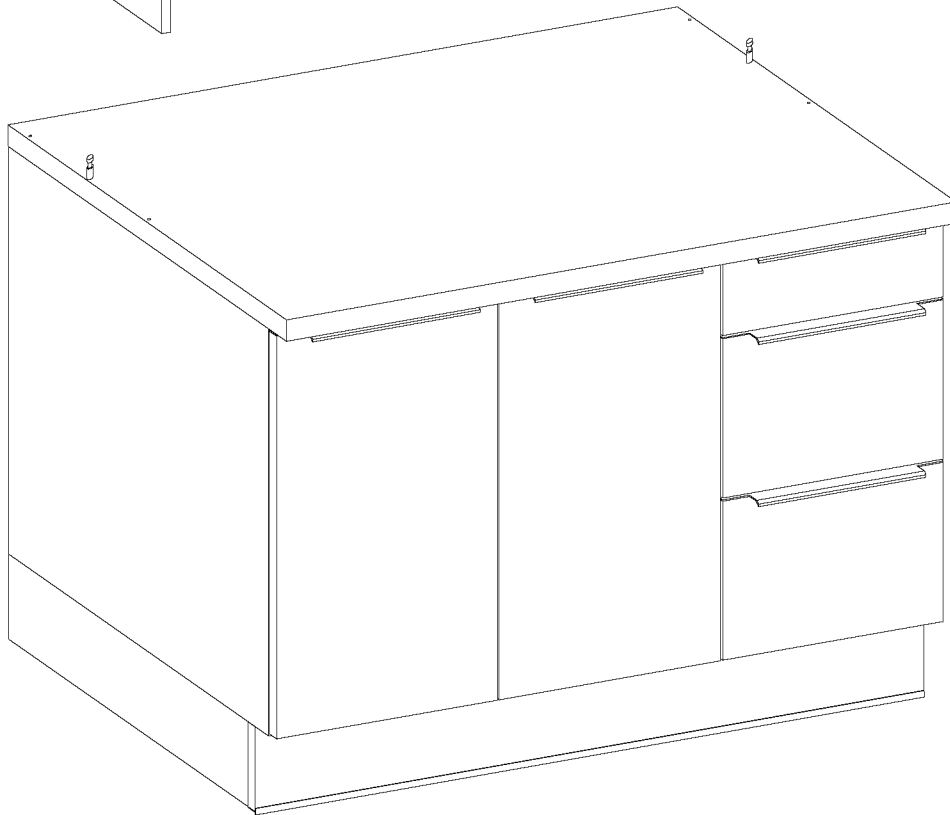
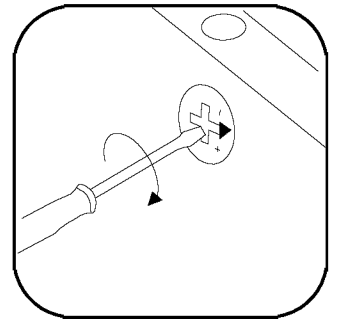
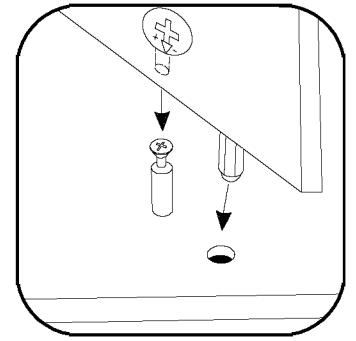
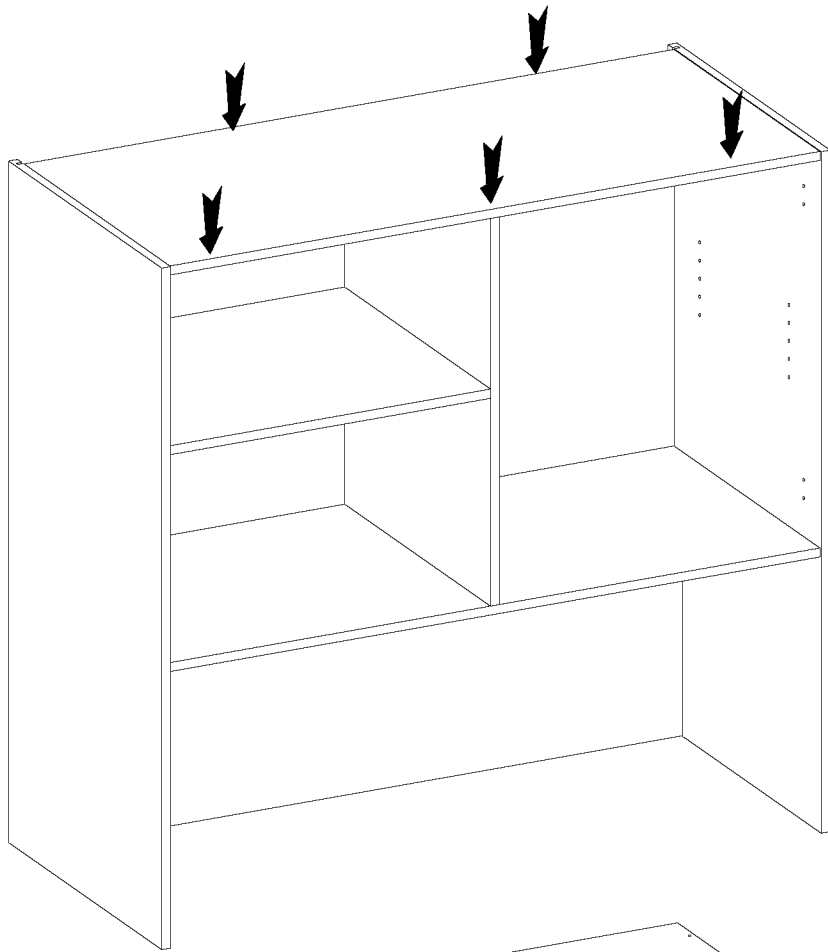
$\varnothing 3.5 \times 13 \text{mm}$  P5 8	 F16 4	 L=1200 L35 1
-------------------------------------------------------------------------------------------------------------------------------------------	---------------------------------------------------------------------------------------------------	-------------------------------------------------------------------------------------------------------------



33

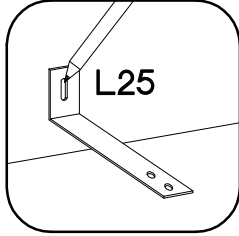
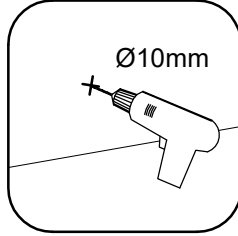
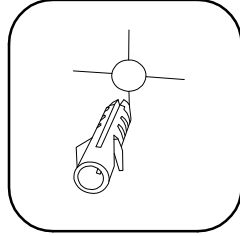
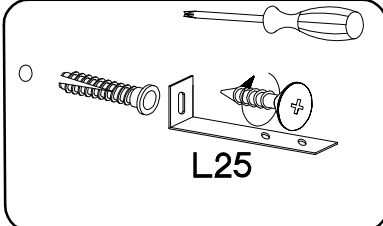
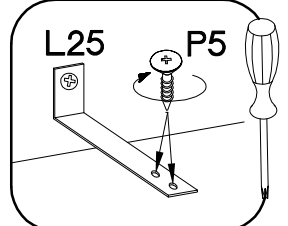


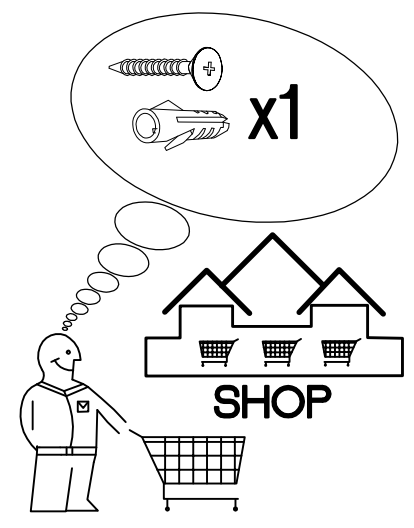
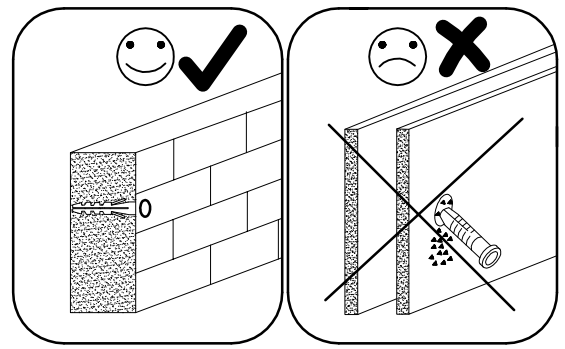
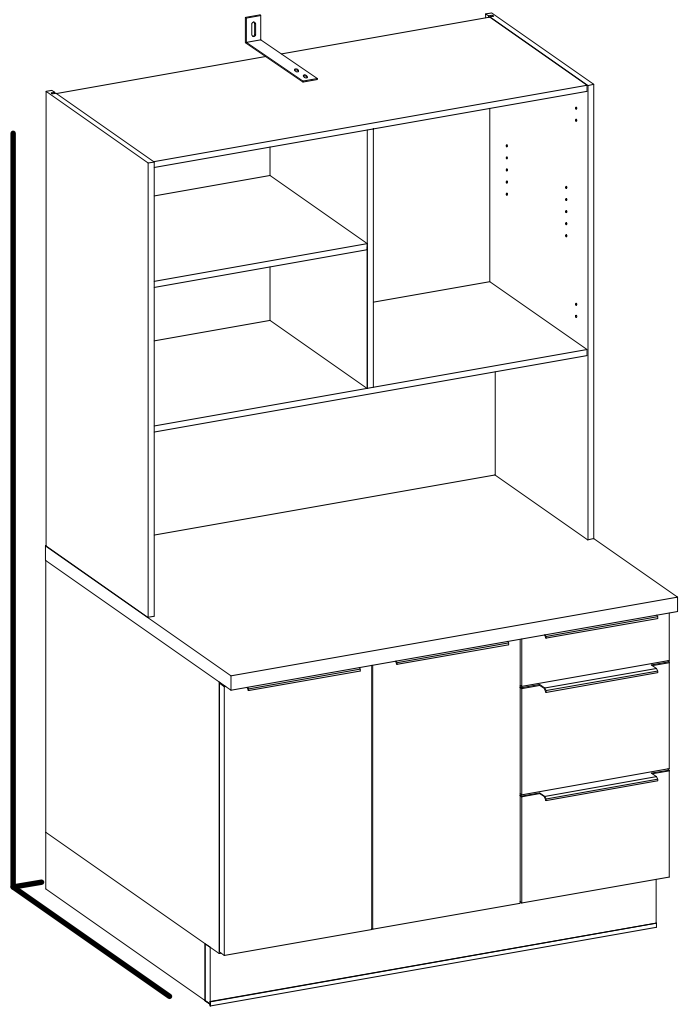
34



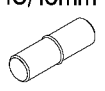


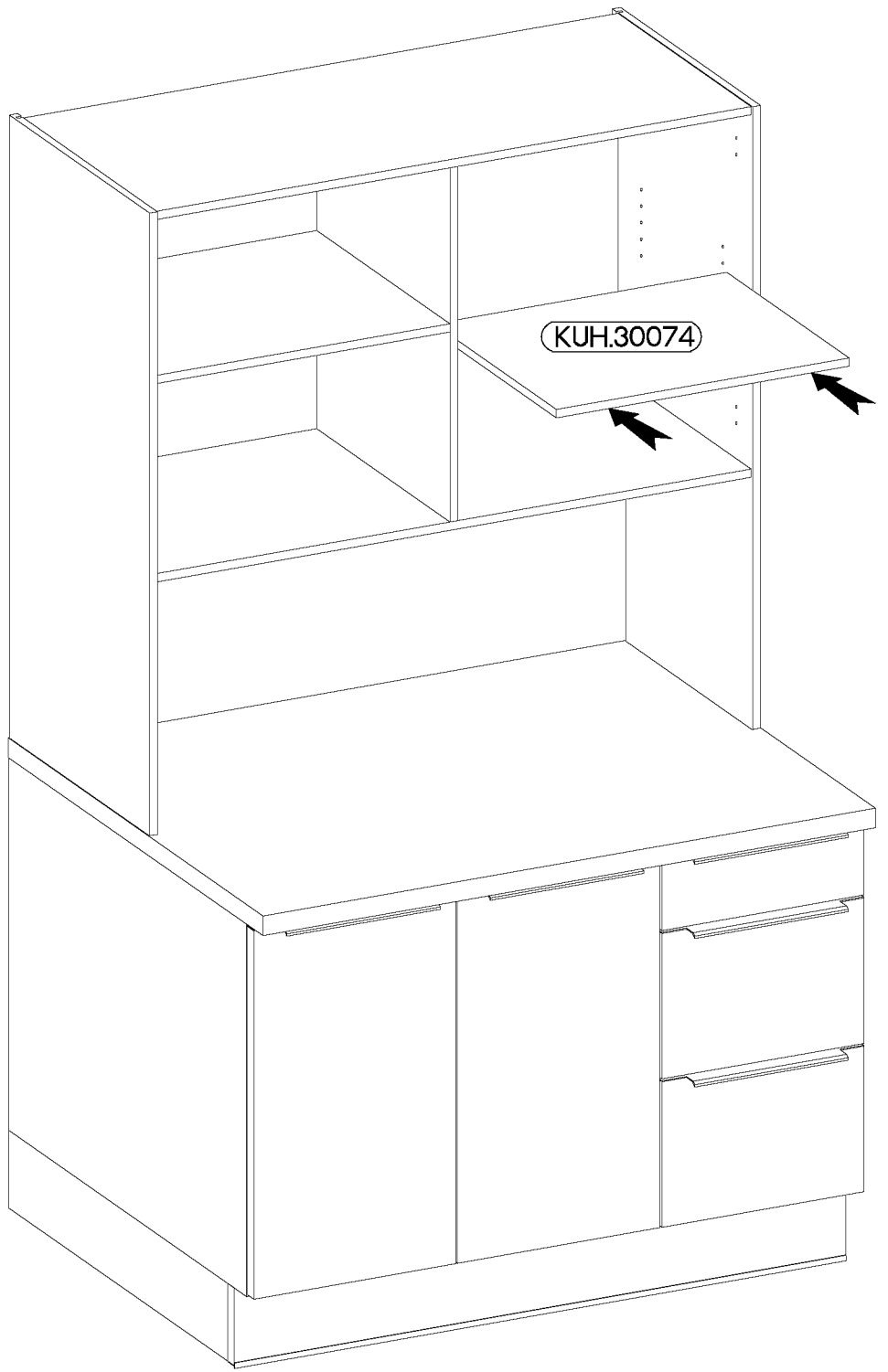
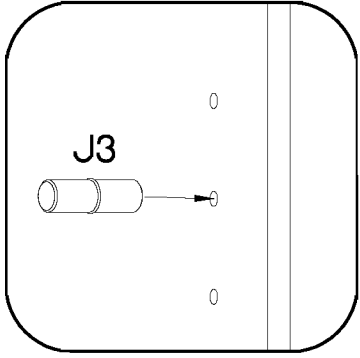
43.5x13mm  P5 2	120x30x15mm  L25 1
----------------------------------------------------------------------------------------------------------	-------------------------------------------------------------------------------------------------------------

- 
- 
- 
- 
- 





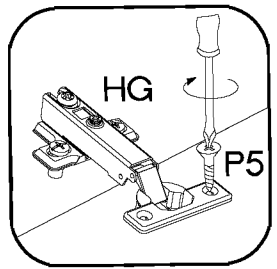
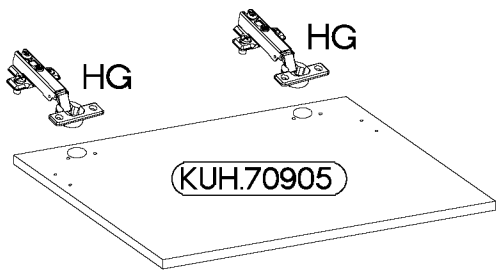
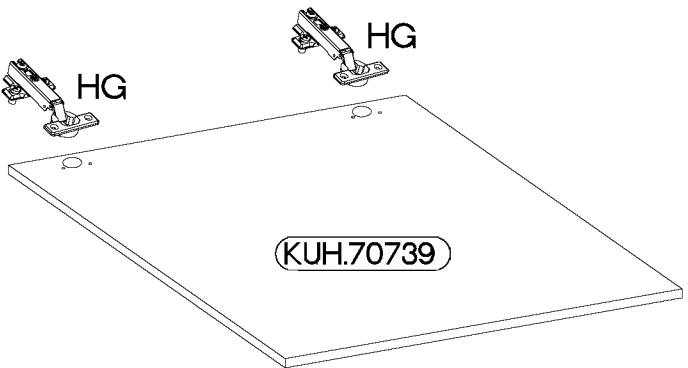
37



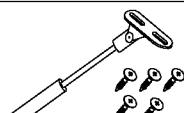

±5/16mm

J3
4

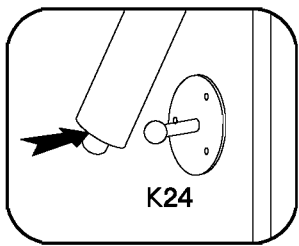
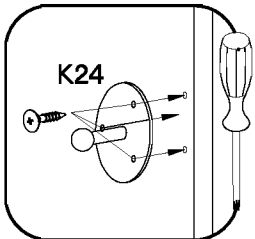
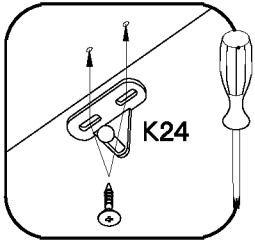
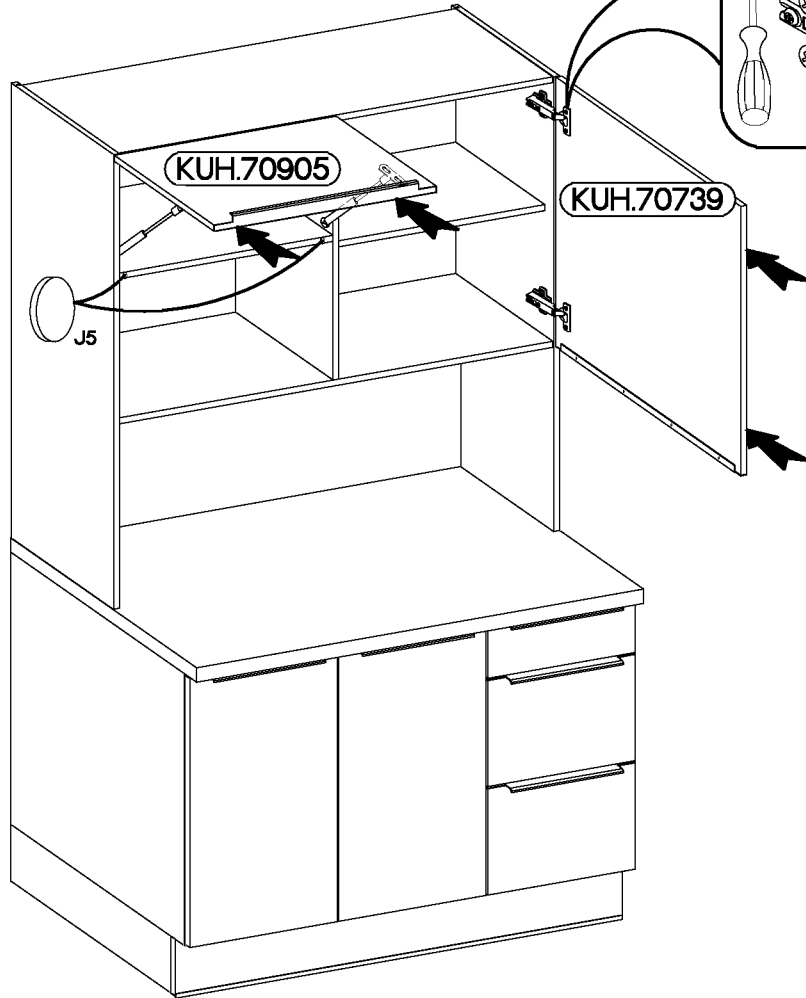
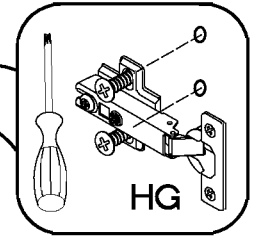
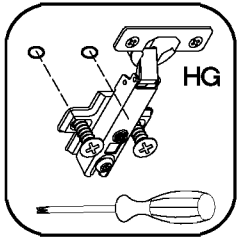
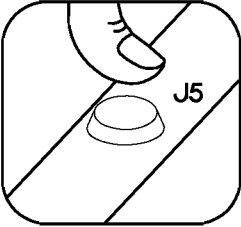
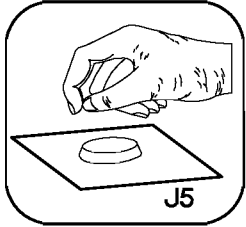
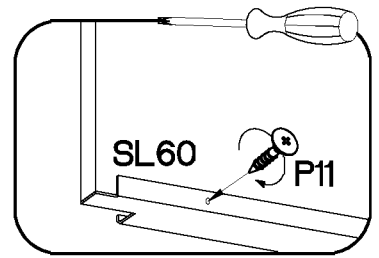


38

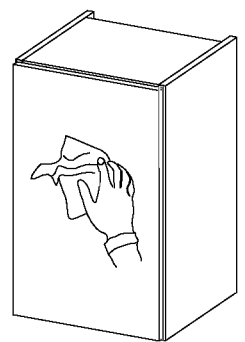
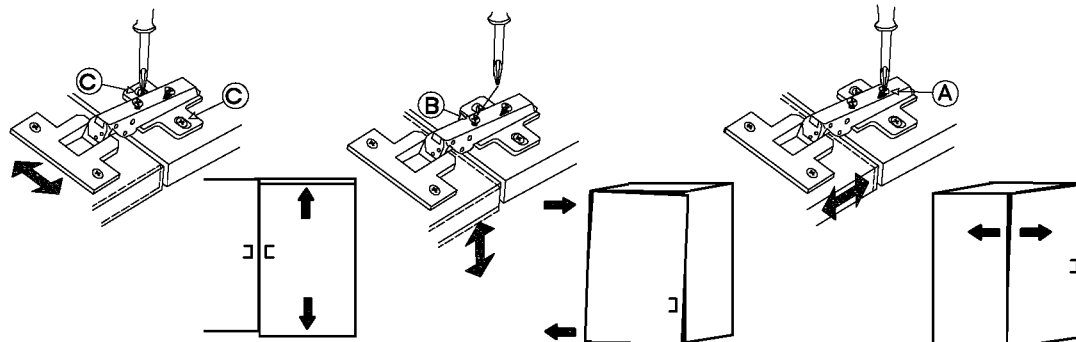
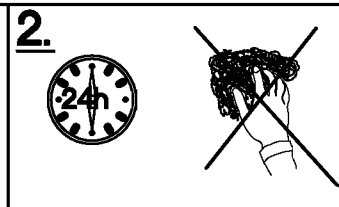
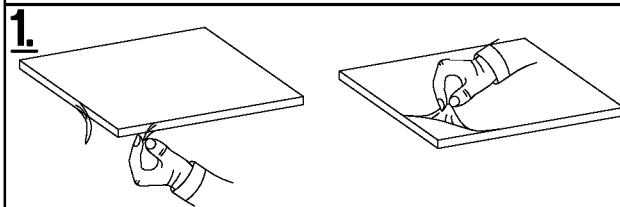
±35/0mm	±3.5x13mm
	
HG	P5
4	8



±3.0x16mm  P11 8	L=595mm  SL60 2	 K24 2	 J5 2
------------------------------------------------------------------------------------------------------------------	-----------------------------------------------------------------------------------------------------------------	-----------------------------------------------------------------------------------------------------	----------------------------------------------------------------------------------------------------



VARIANT HIGH GLOSS



Marke	Respekta
Hersteller und verantwortliche Person mit Adresse	NEG Novex Großhandelsgesellschaft für Elektro- und Haustechnik GmbH Chenover Straße 5 67117 Limburgerhof Deutschland info@neg-novex.de www.respekta.de