

2h

SAFADO / MARLEEN

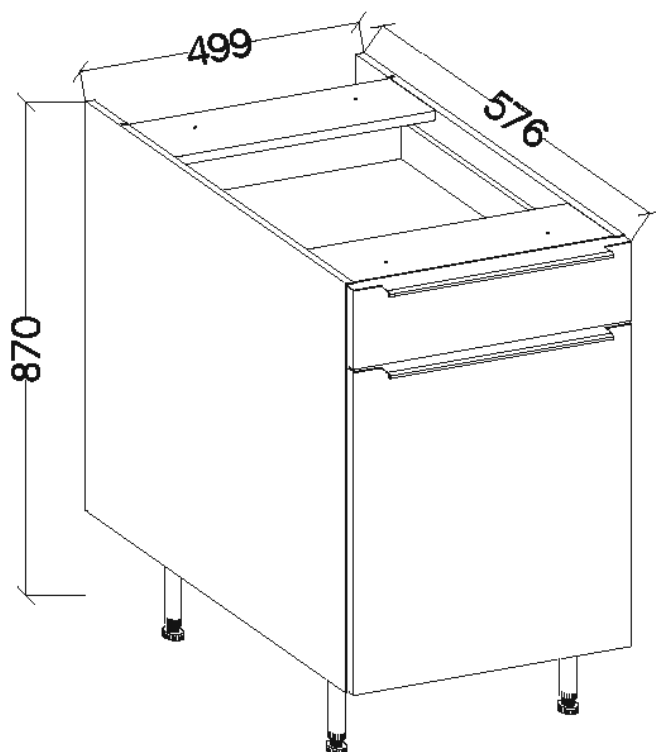
84-170-...






84-176-...





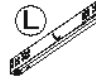

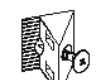



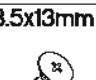
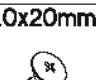
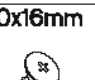

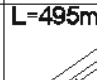
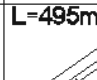
84-17A-...



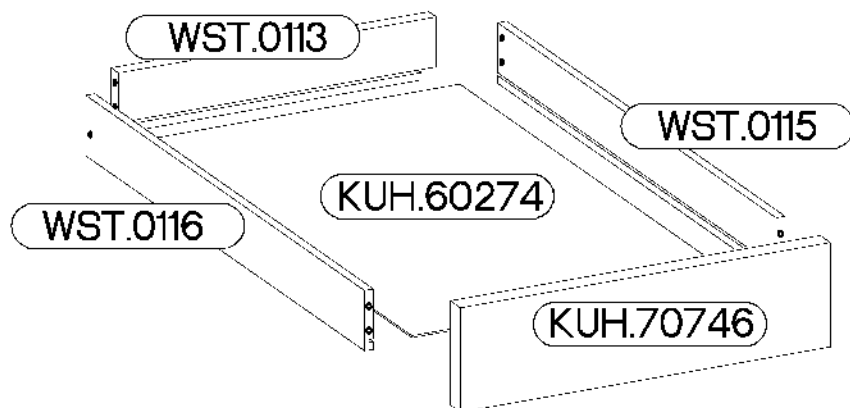
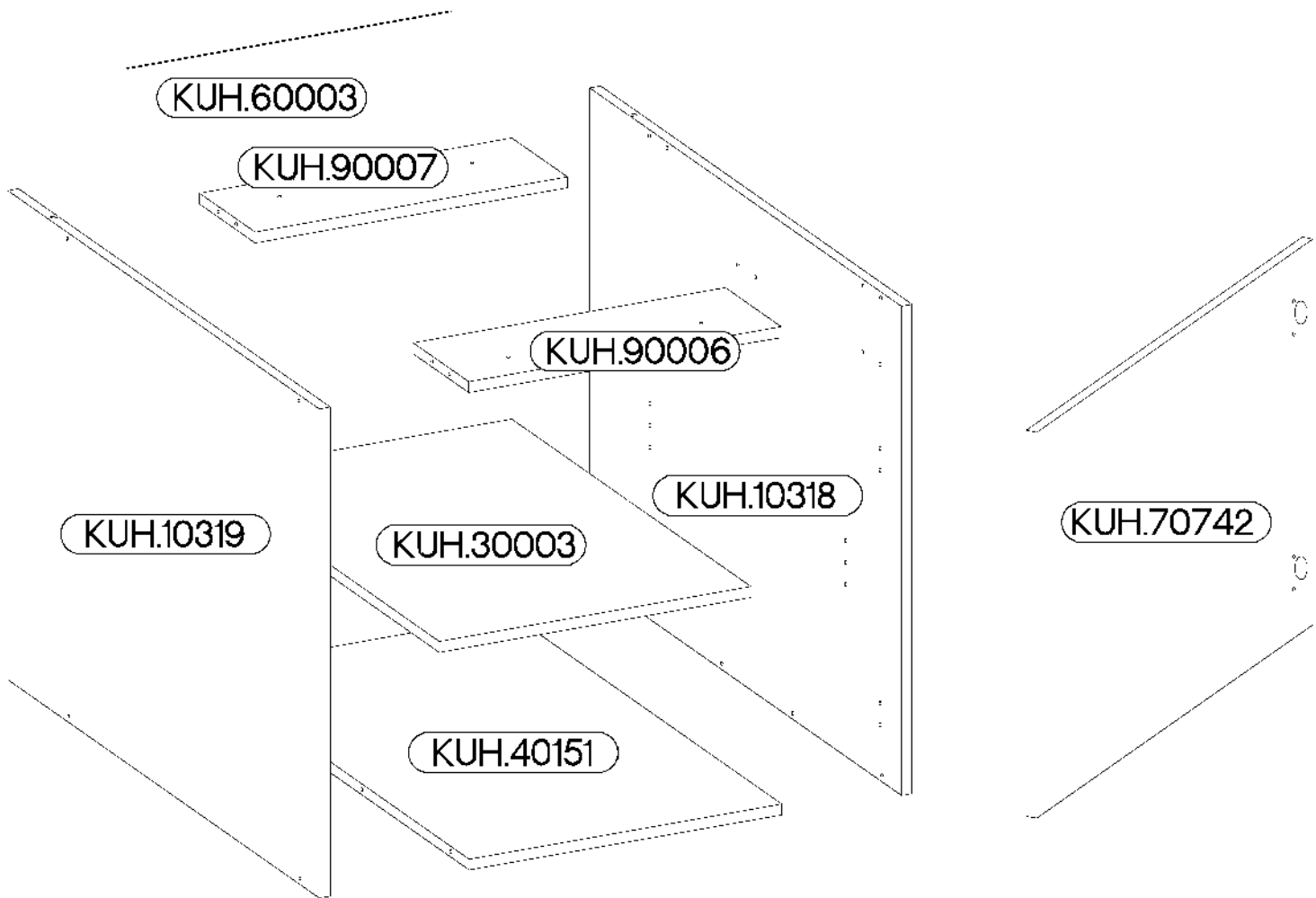
respekta®



| | | | | |
|--|--|--|---|---|
|  +8x30mm A |  6,4 x 50mm B |  +6x42mm B2 |  +12/10mm C5 |  L=20mm D2 |
| 12 | 8 | 2 | 2 | 2 |

| | | | | | | | |
|---|--|--|--|--|---|--|---|
|  E1 |  F15 |  F16 |  +35/0mm HG |  L=450mm L |  +5/16mm I1 |  J3 |  L |
| 8 | 4 | 6 | 2 | 1 | 4 | 2 | |
|  +6.3x13mm M2 |  O |  O1 |  +3.5x13mm P5 |  +3.0x20mm P7 |  +3.0x16mm P11 |  +4.0x35mm R3 |  L=495mm SL50 |
| 8 | 1 | 1 | 32 | 8-10 | 6 | 4 | 2 |

ISM-KUH-01600


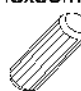



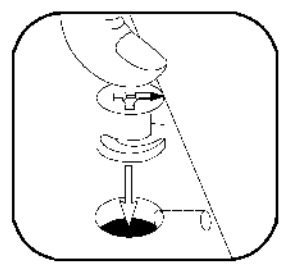
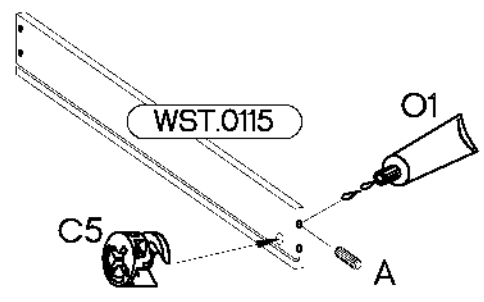
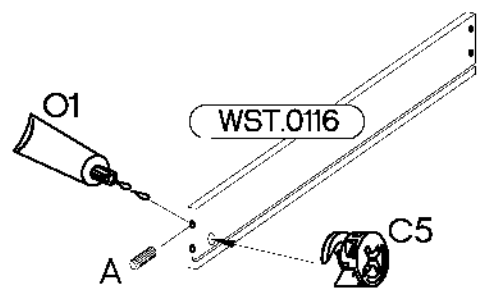
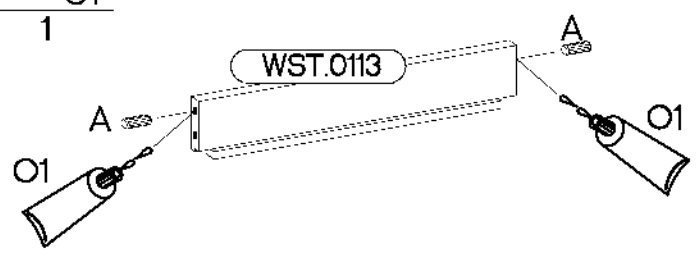
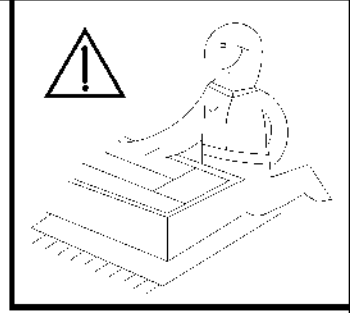
| Colli | Spare Part | Dimension |
|--------------|------------|-------------|
| Colli 1/6 | KUH.10318 | 720x560x16 |
| | KUH.10319 | 720x560x16 |
| | KUH.30003 | 466x430x16 |
| | KUH.40151 | 467x485x16 |
| | KUH.60003 | 713x485x2,5 |
| | KUH.60274 | 448x437x2,5 |
| | KUH.70742 | 568x496x16 |
| | KUH.70746 | 138x496x16 |
| | KUH.90006 | 467x100x16 |
| | KUH.90007 | 467x100x16 |
| | WST.0113 | 427x80x12 |
| | WST.0115 | 450x80x12 |
| | WST.0116 | 450x80x12 |



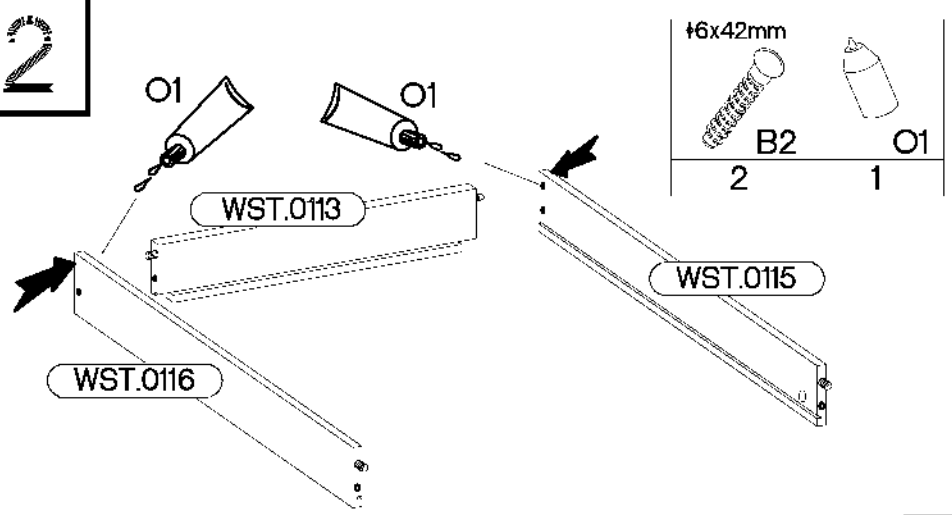
KUH.30003



KUH.40151

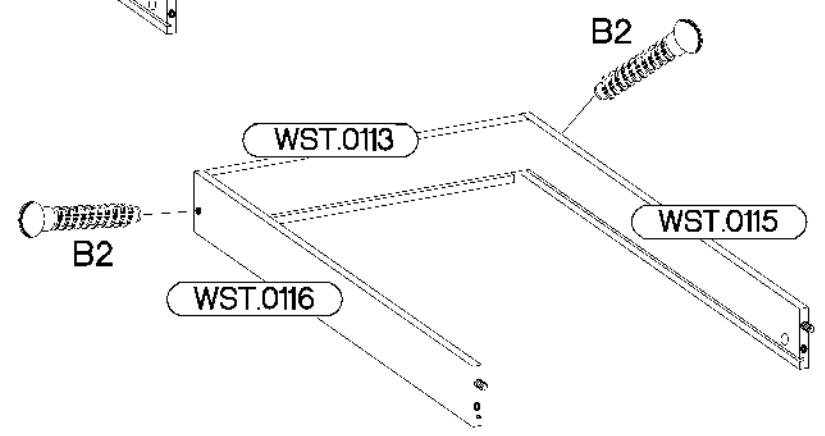
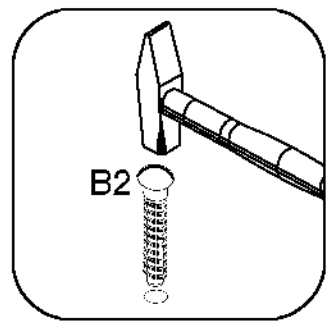
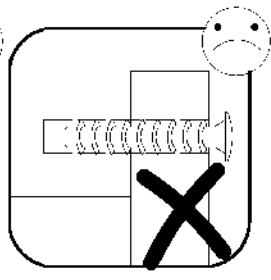
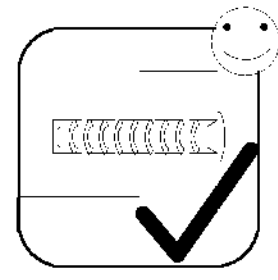
| | | |
|---|---|---|
| #12/10mm  C5 2 | #8x30mm  A 4 |  O1 1 |
|---|---|---|




2

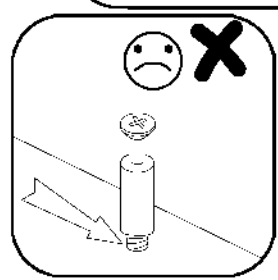
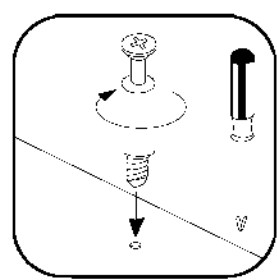
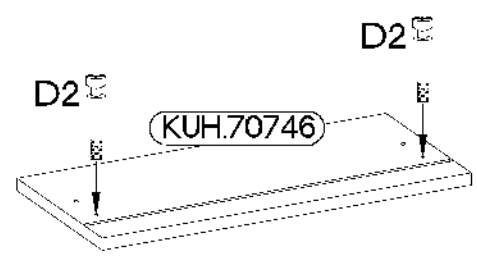


| | |
|---|--|
| #6x42mm  B2 2 |  O1 1 |
|---|--|

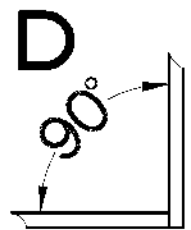
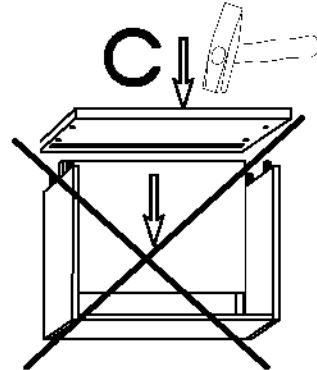
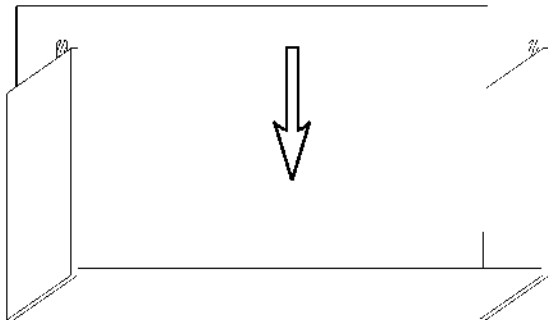
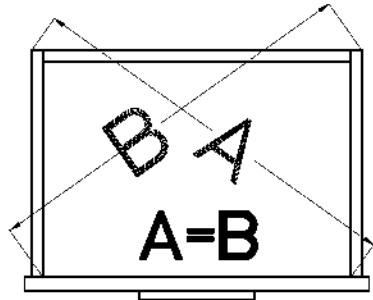
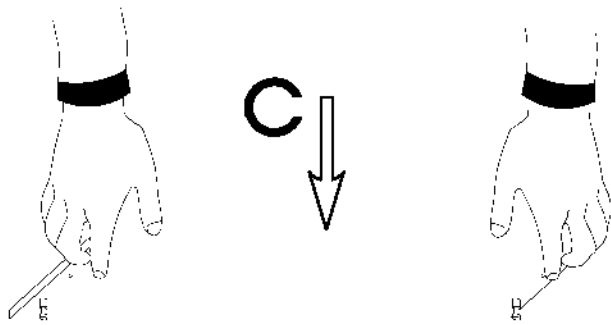
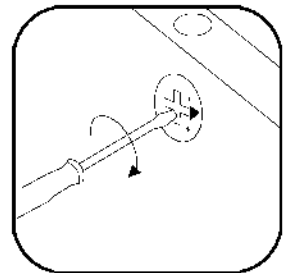
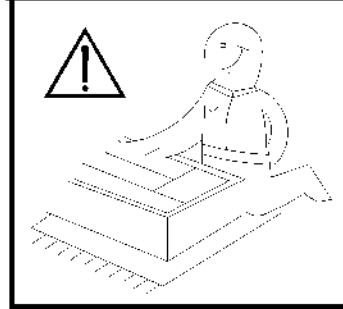
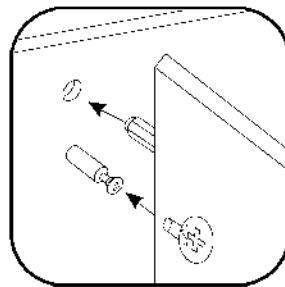
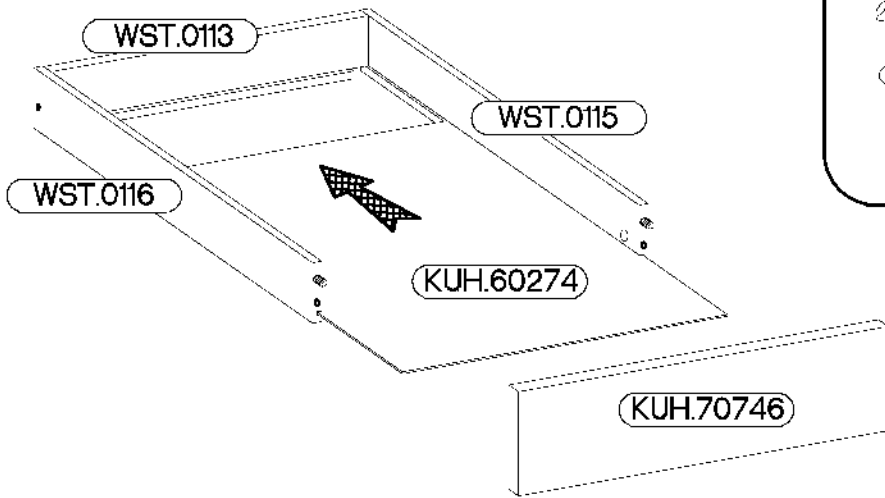


3

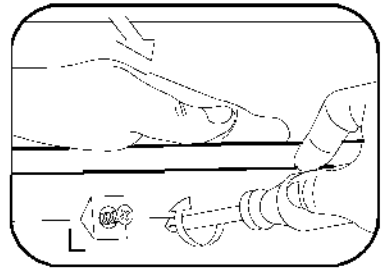
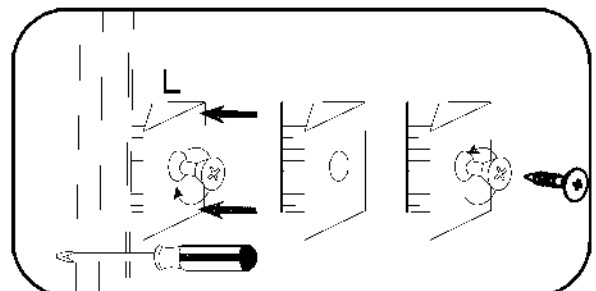
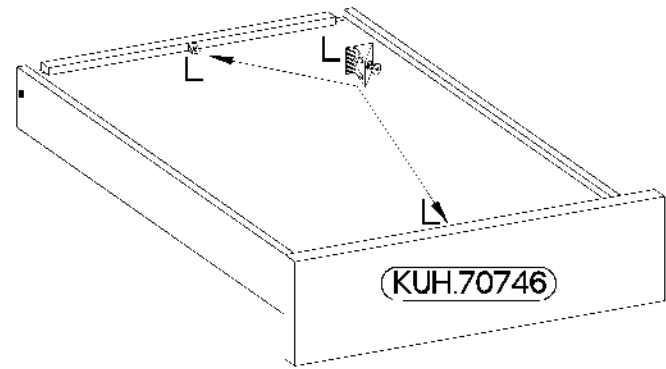
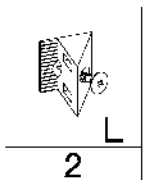
| |
|--|
| L=20mm  D2 2 |
|--|



4

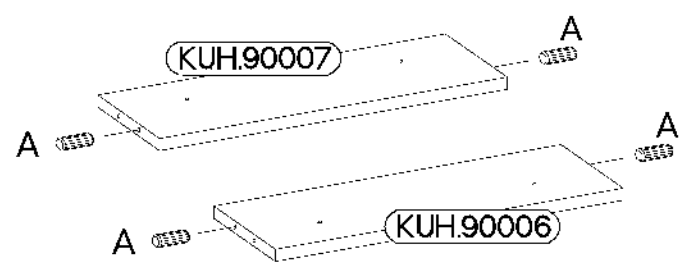
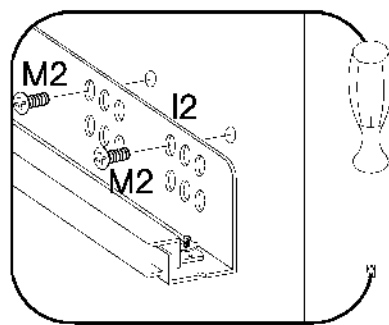
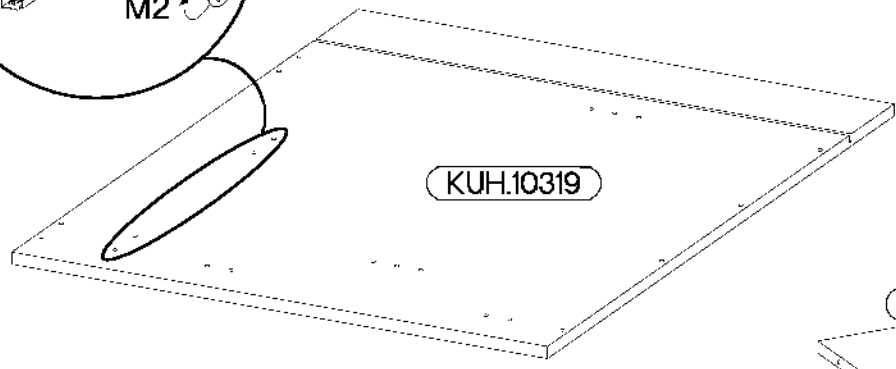
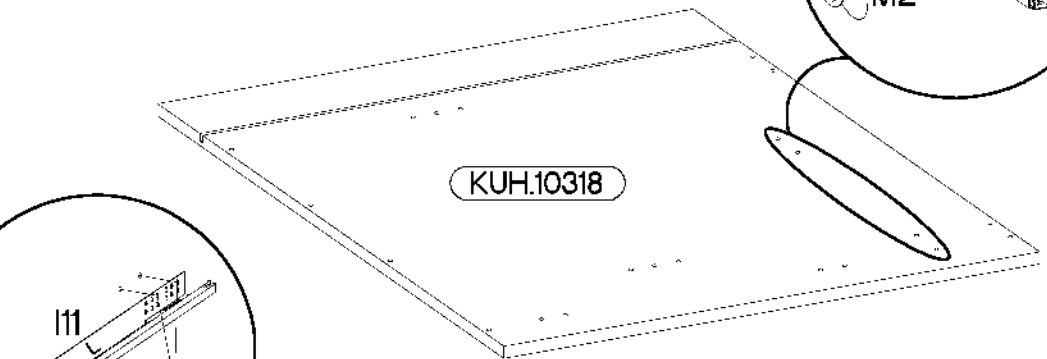
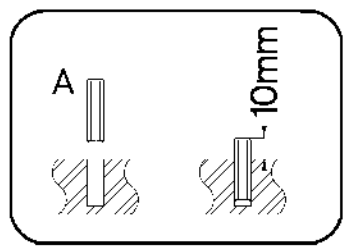
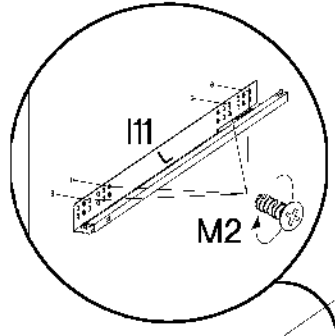
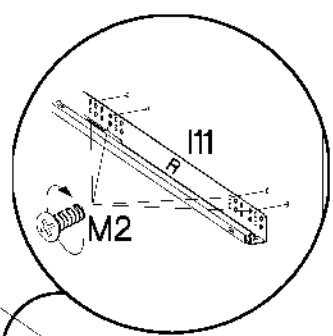
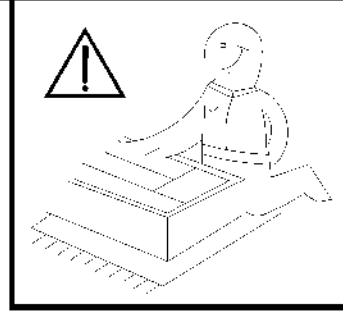


5



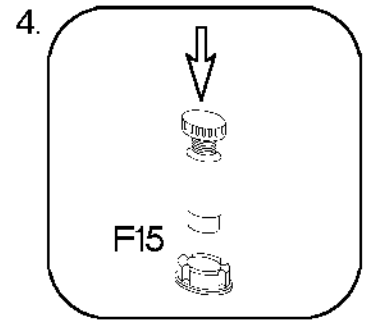
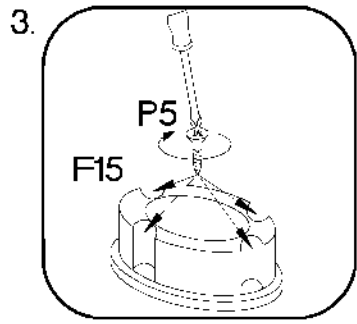
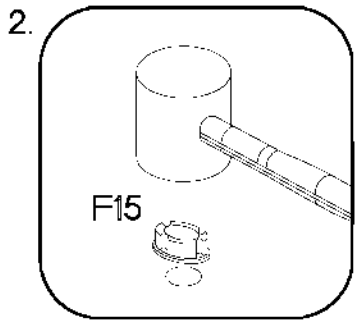
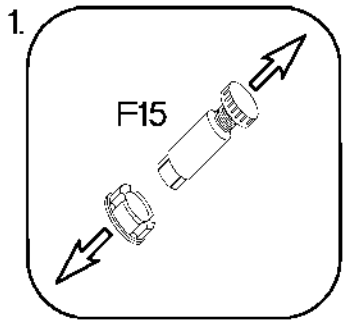
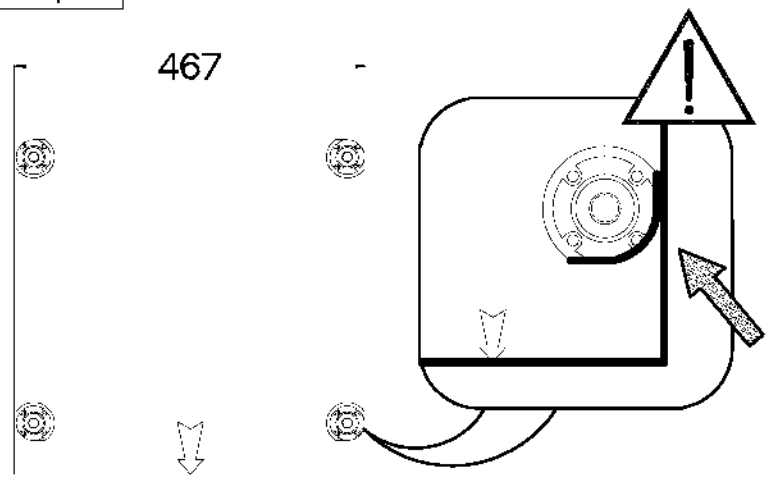
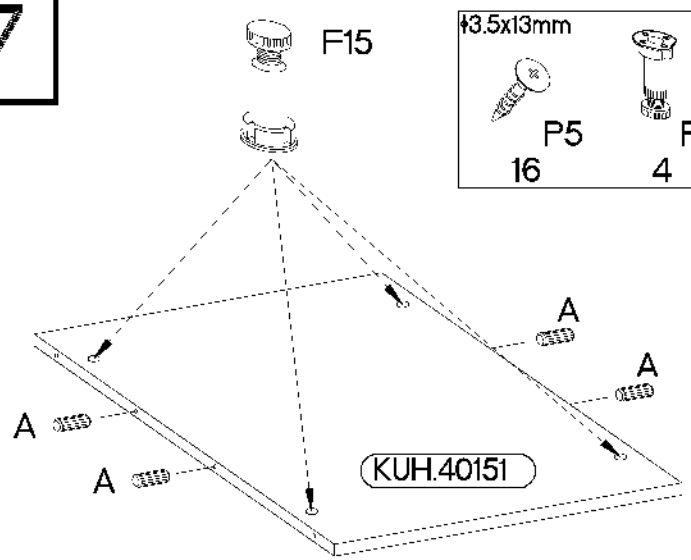
6

- 4 $\varnothing 8 \times 30 \text{mm}$
- 1 L=450mm (L, R)
- 8 $\varnothing 6.3 \times 13 \text{mm}$ (M2)



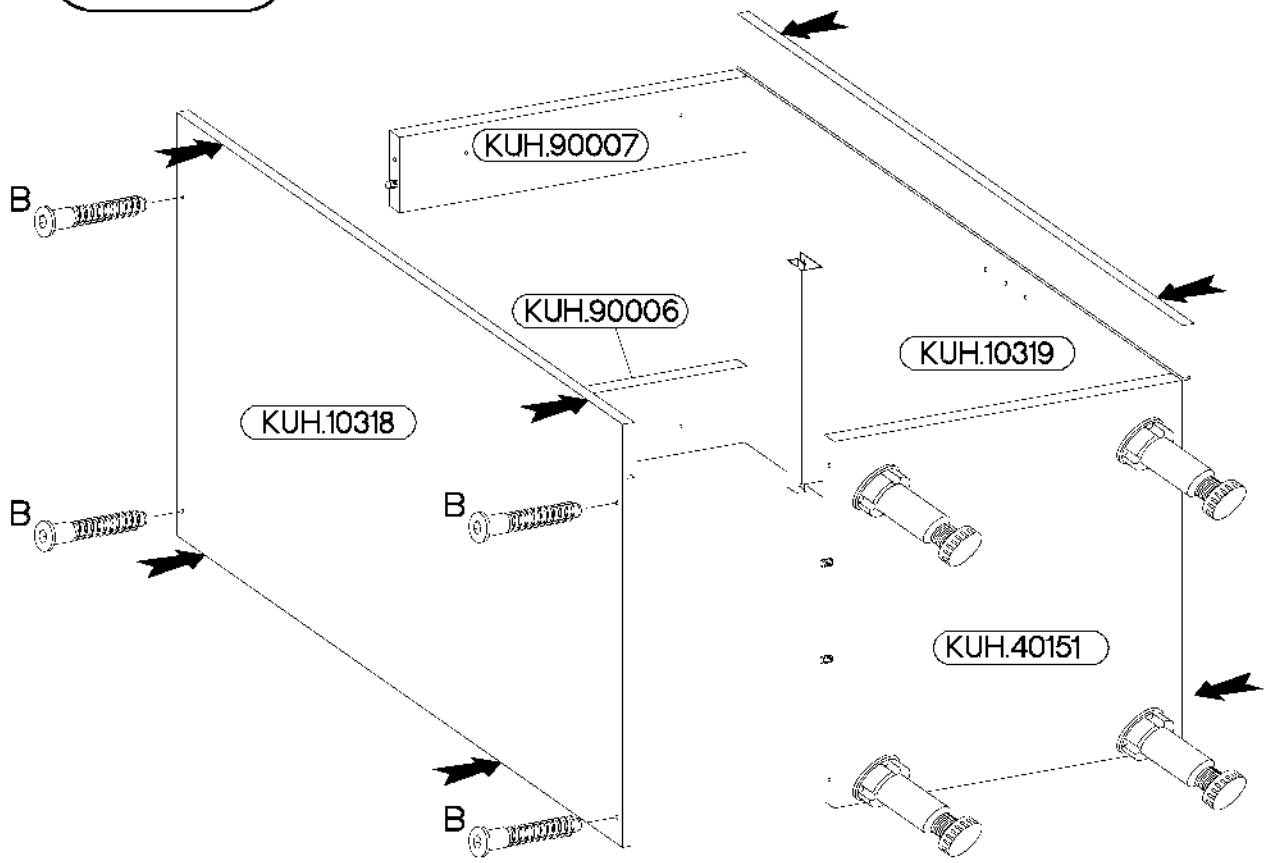
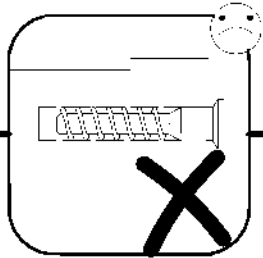
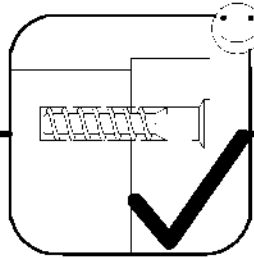
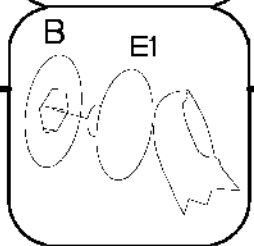
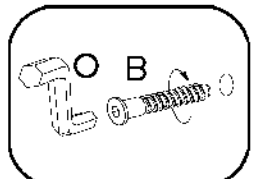
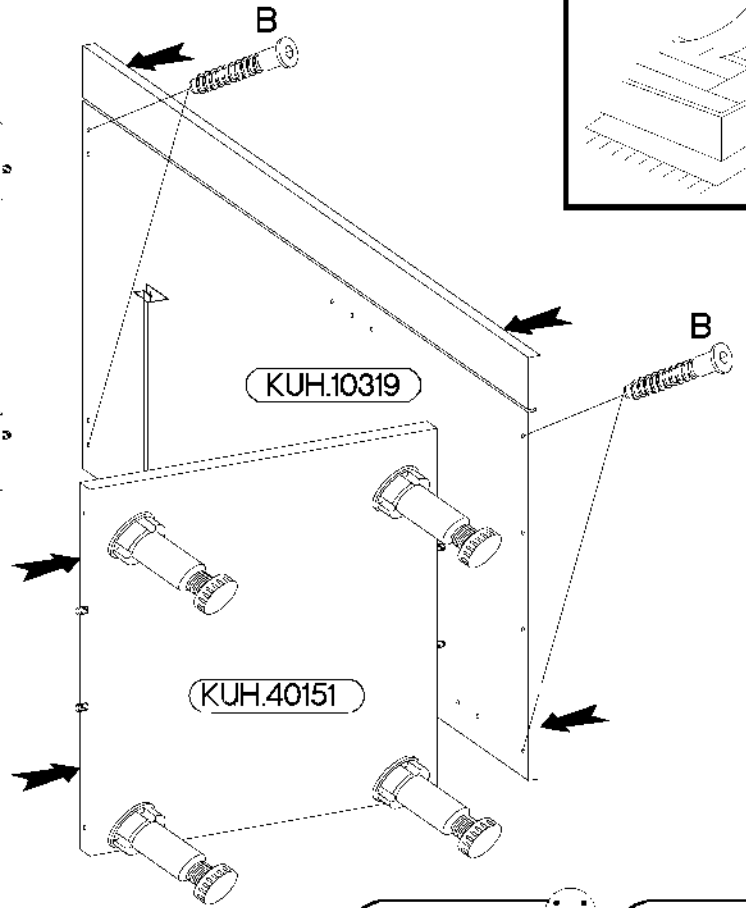
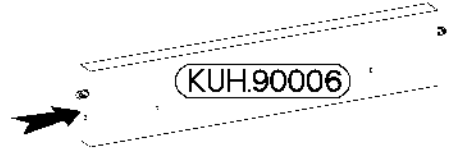
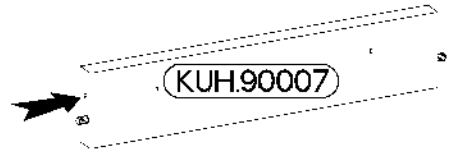
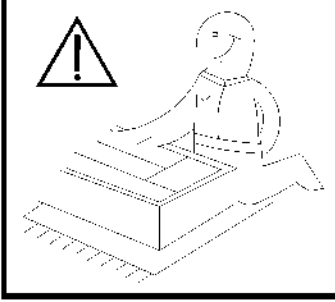
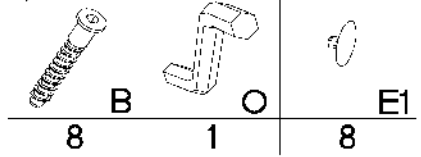
7

- 16 $\varnothing 3.5 \times 13 \text{mm}$ (P5)
- 4 F15
- 4 $\varnothing 8 \times 30 \text{mm}$ (A)





6,4 x 50mm

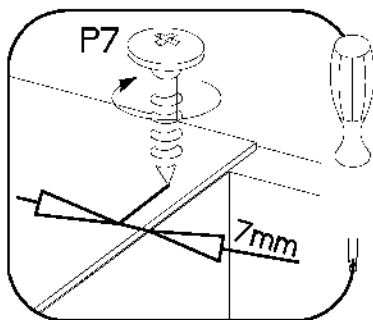
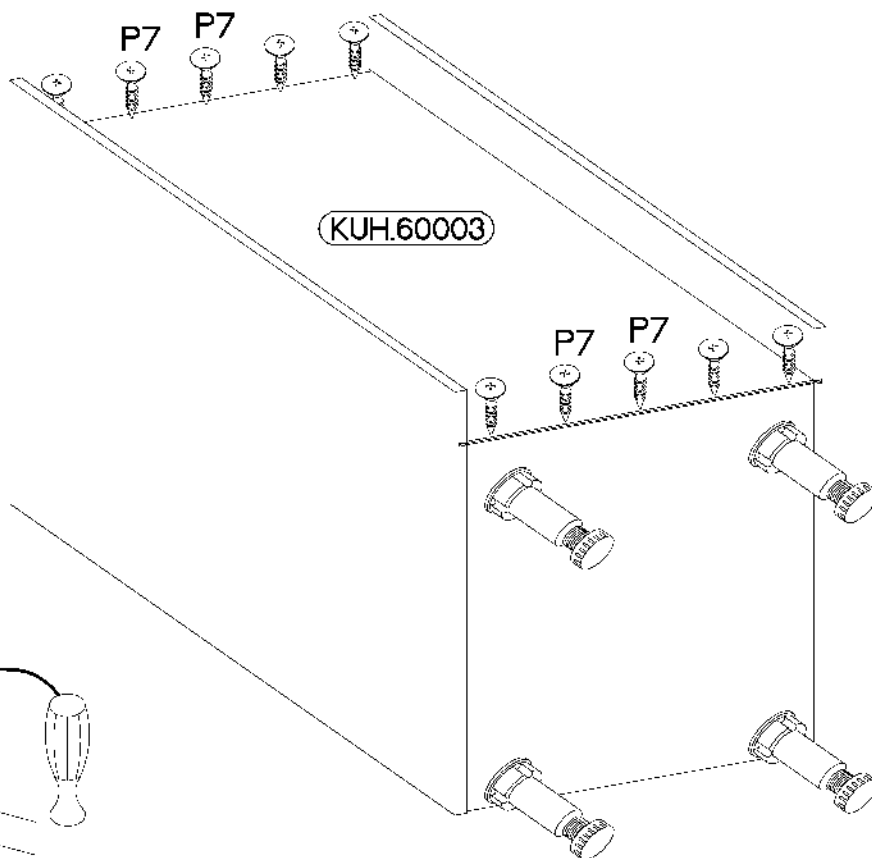
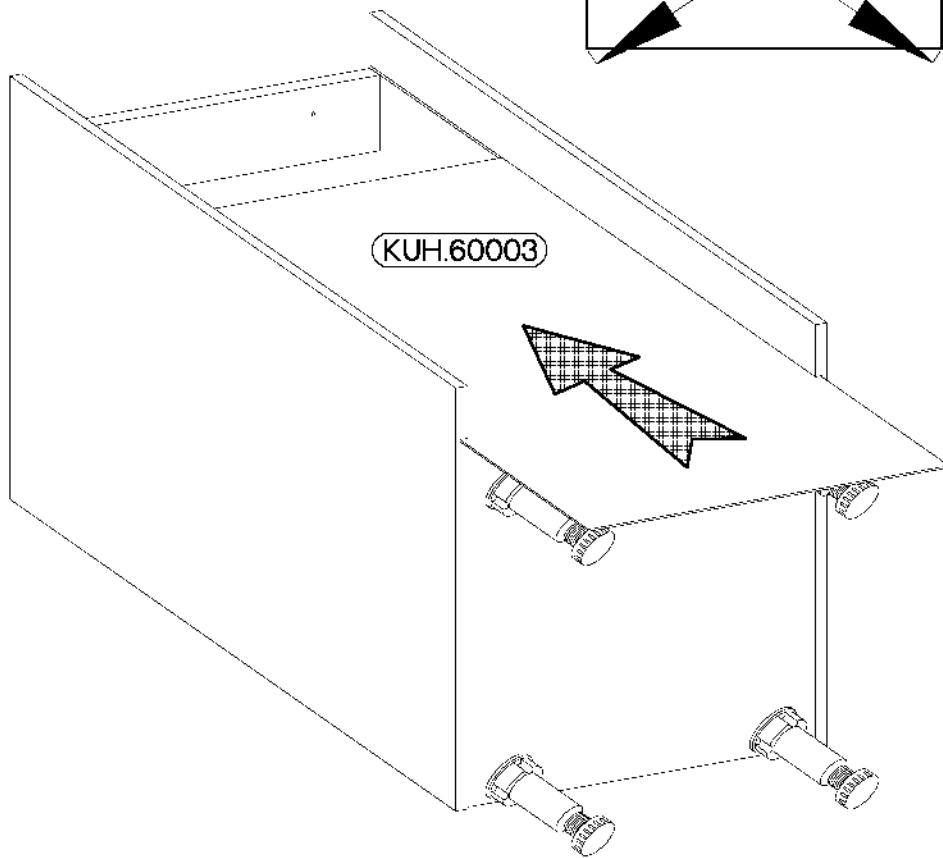
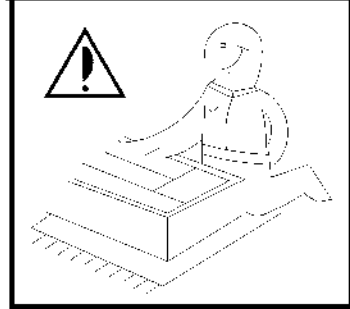
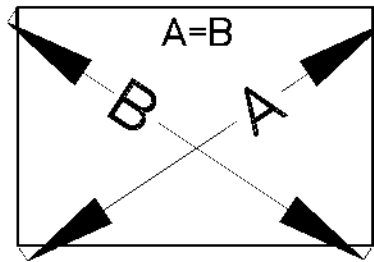


3.0x20mm



P7

8-10



1

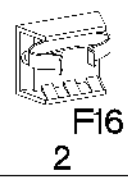
4.0x35mm 3.5x13mm



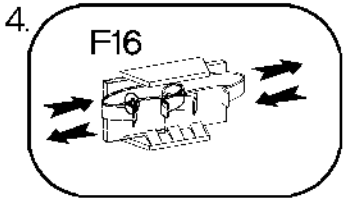
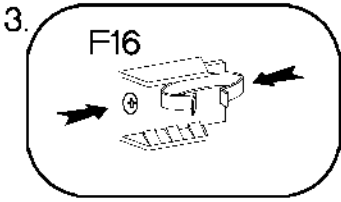
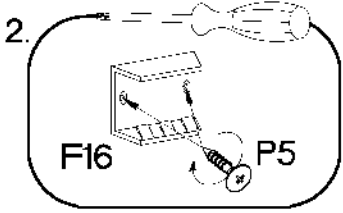
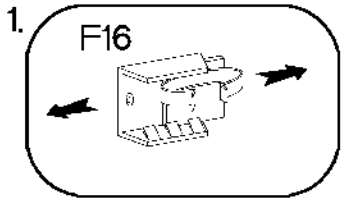
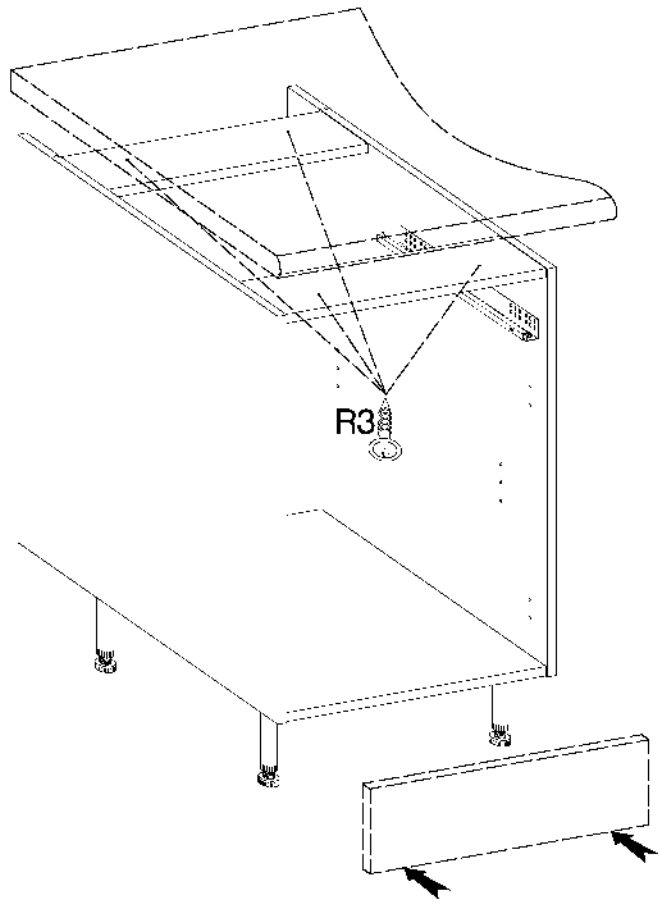
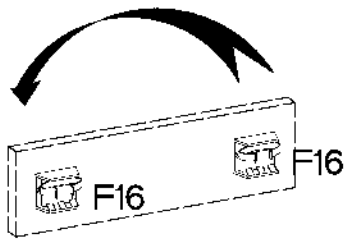
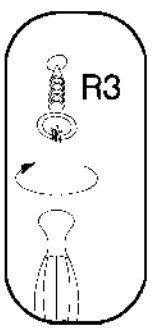
R3
4



P5
4



F16
2

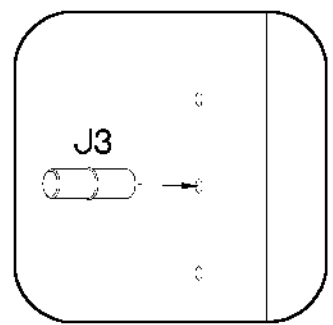
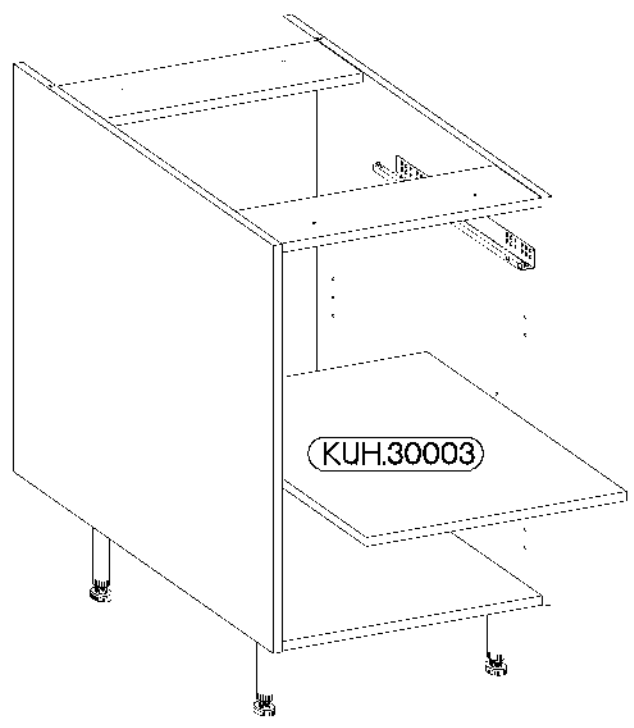


2

5/16mm

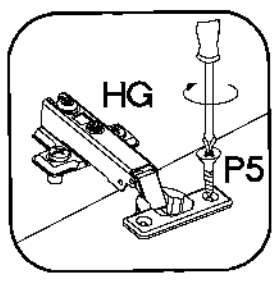
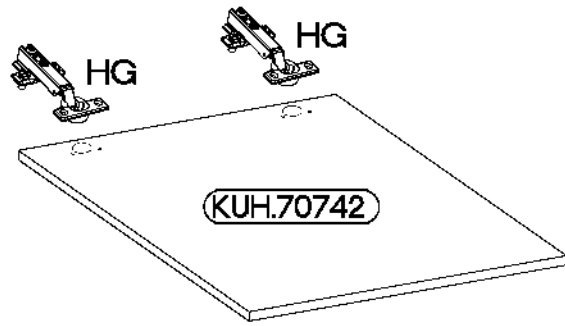


J3
4



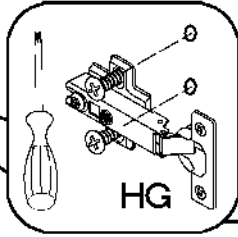
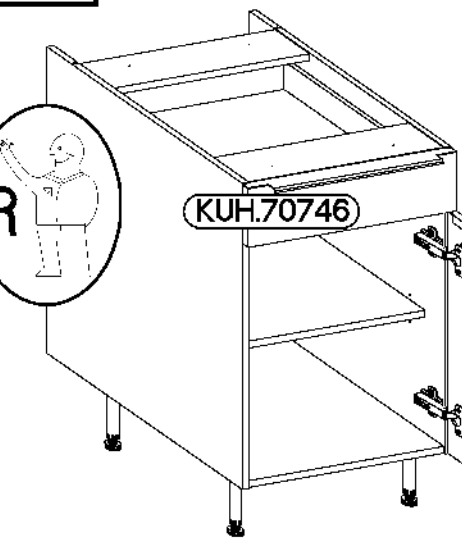
13

| | |
|--------------------|----------------------|
| ∅35/0mm HG 2 | ∅3.5x13mm P5 4 |
|--------------------|----------------------|



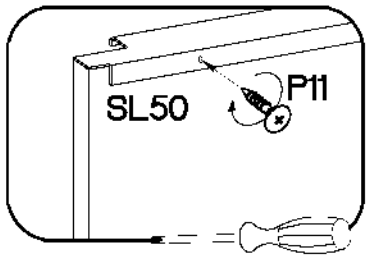
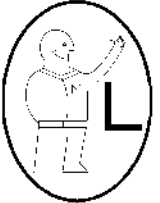
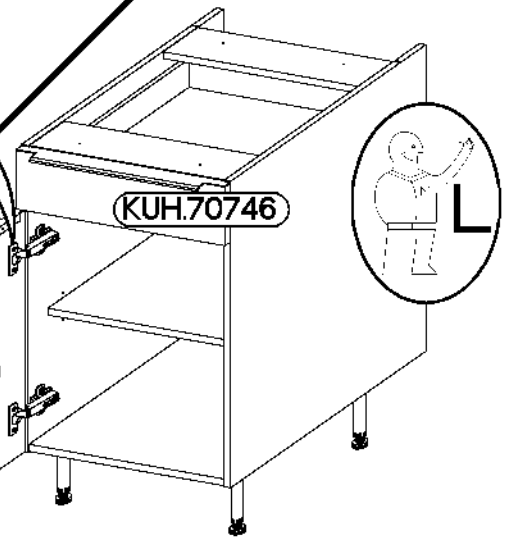
14

| | |
|-----------------------|----------------------|
| ∅3.0x16mm P11 6 | L=495mm SL50 2 |
|-----------------------|----------------------|

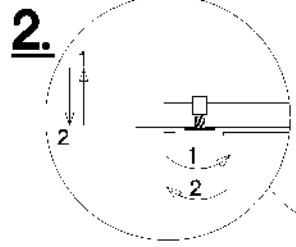
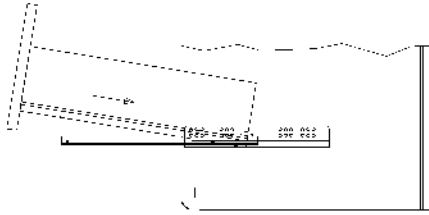


KUH.70742

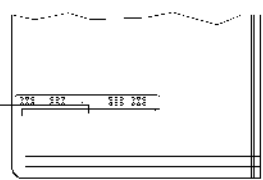
KUH.70742



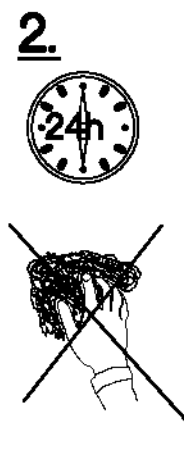
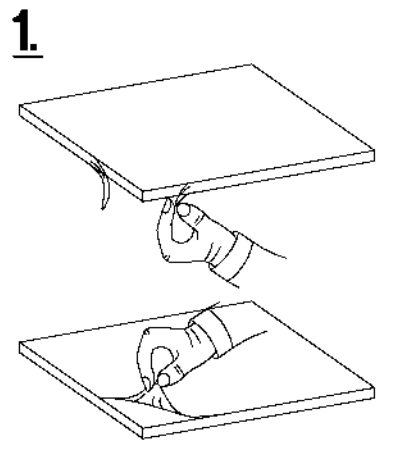
1.



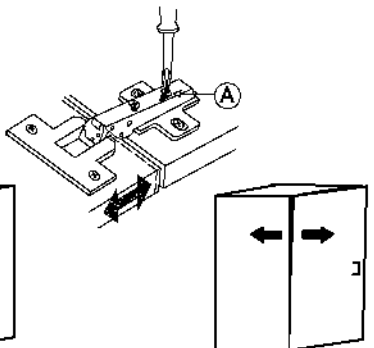
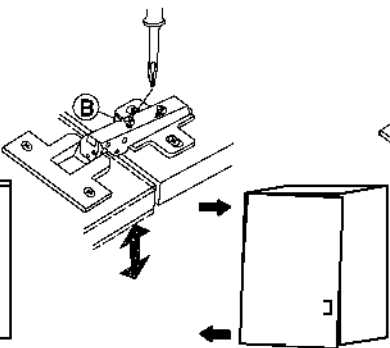
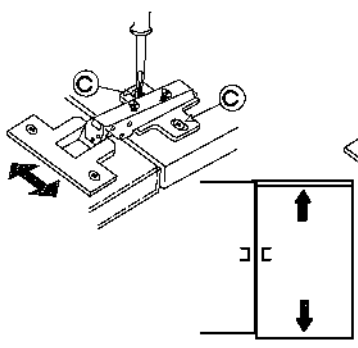
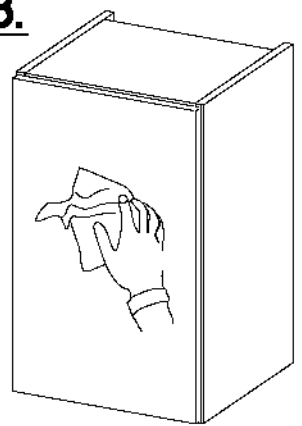
2.

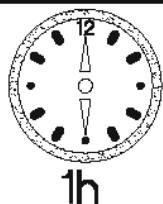
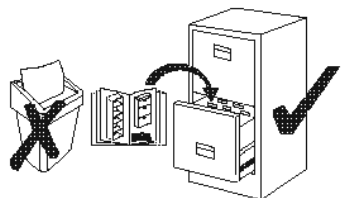
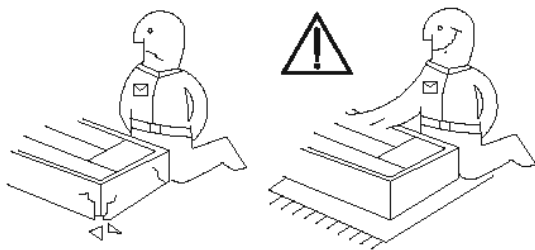
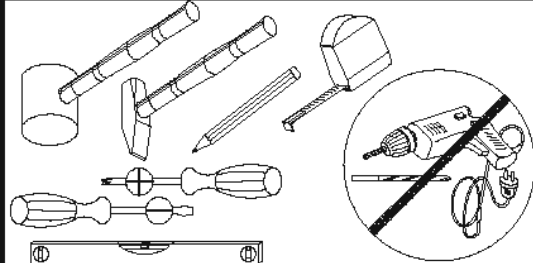
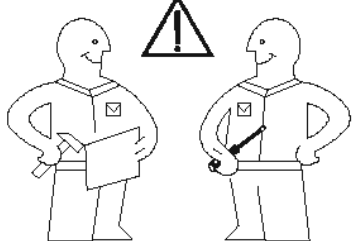


VARIANT HIGH GLOSS



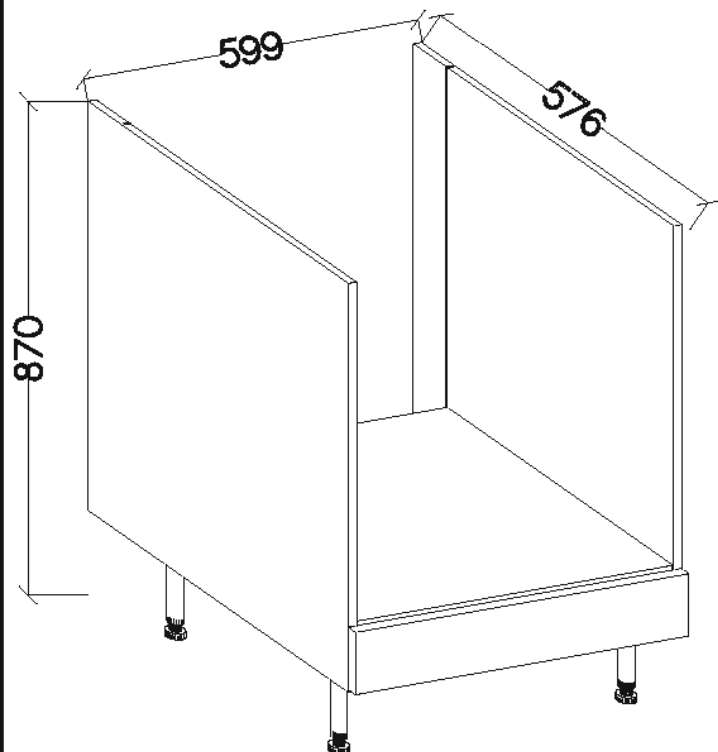
3.



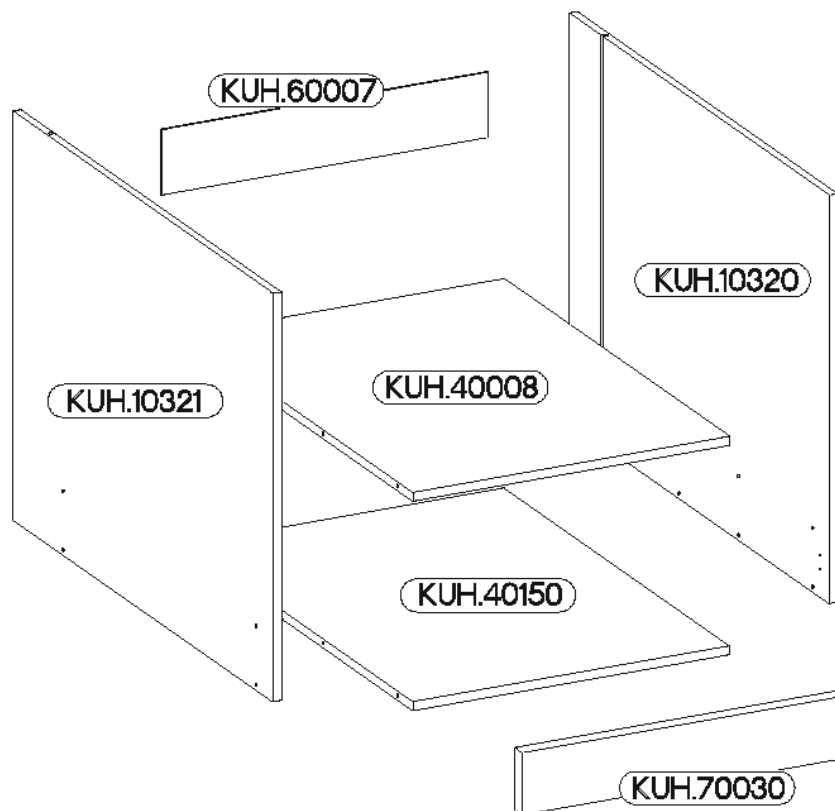


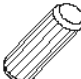

SAFADO / MARLEEN


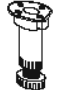





84-170-...
84-17B-...



respekta®



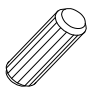
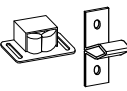

| | |
|---|---|
| ±8x30mm  A 8 | 6,4 x 50mm  B 8 |
|---|---|

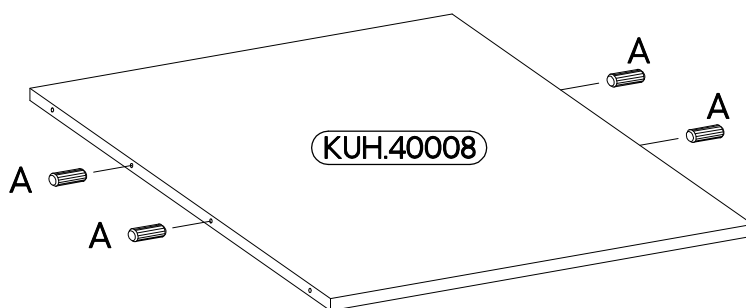
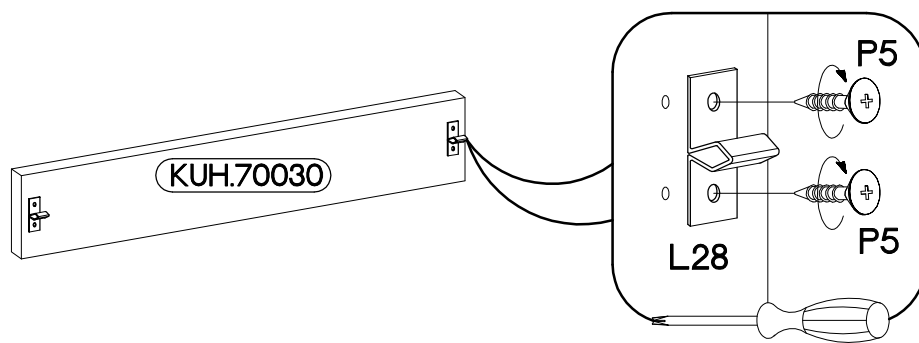
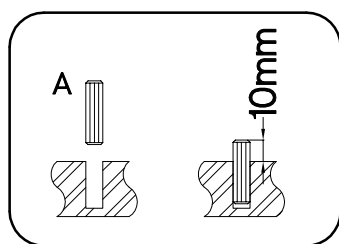
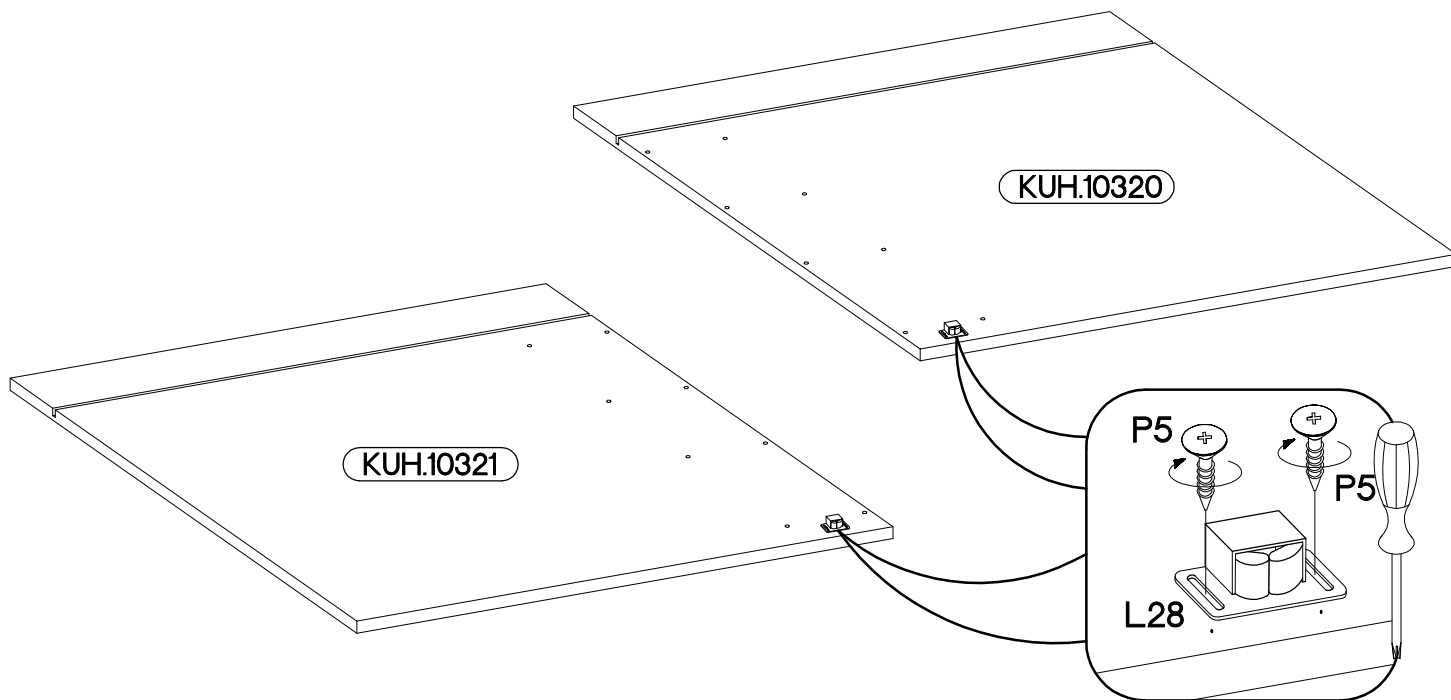
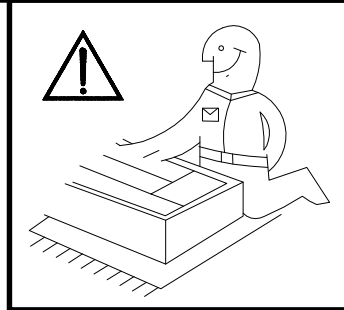
| | | | | | | |
|---|---|---|---|---|--|--|
|  E1 8 |  F15 4 |  F16 2 |  L28 2 |  O 1 | ±3.5x13mm  P5 28 | ±3.0x20mm  P7 8-10 |
|---|---|---|---|---|--|--|

| Colli | Spare Part | Dimension |
|--------------|------------|-------------|
| Colli 2/6 | KUH.10320 | 720x560x16 |
| | KUH.10321 | 720x560x16 |
| | KUH.40008 | 567x485x16 |
| | KUH.40150 | 567x485x16 |
| | KUH.60007 | 585x115x2,5 |
| | KUH.70030 | 596x110x16 |

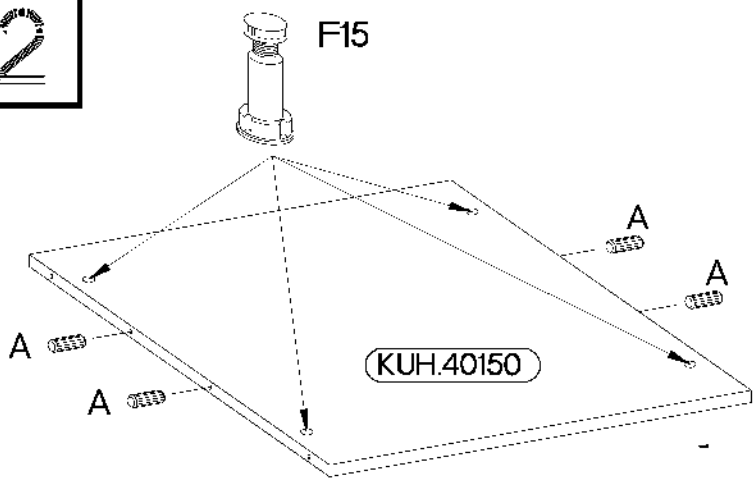
ISM-KUH-01601

1

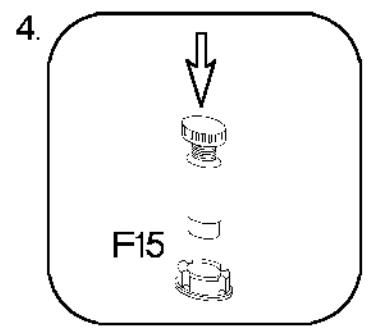
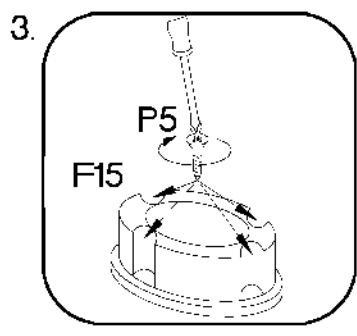
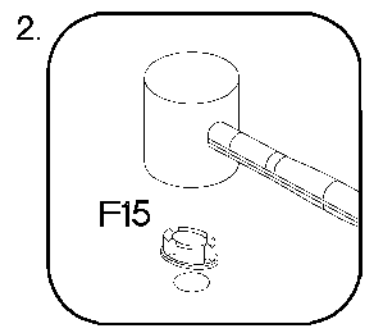
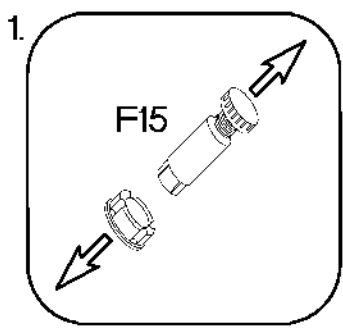
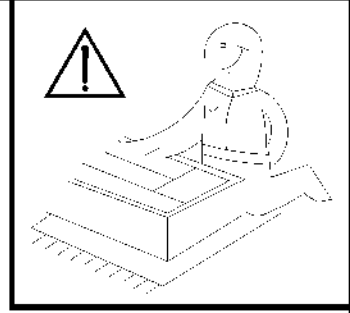
| | | |
|--|---|---|
| $\varnothing 8 \times 30 \text{mm}$  A |  L28 | $\varnothing 3.5 \times 13 \text{mm}$  P5 |
| 4 | 2 | 8 |



2

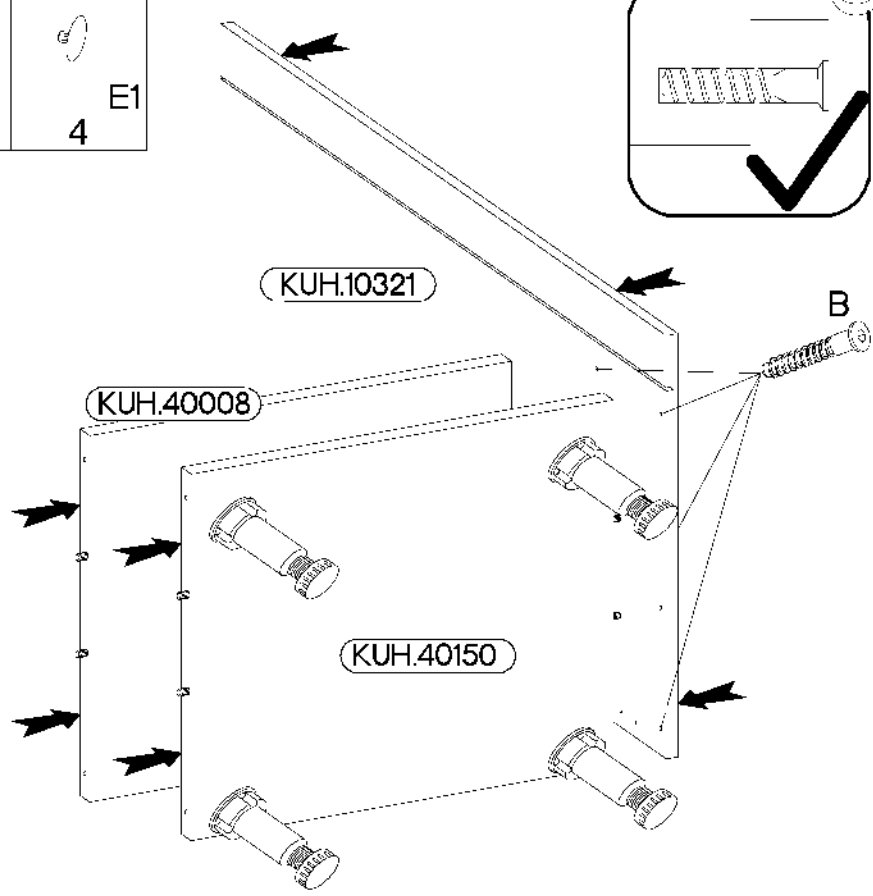
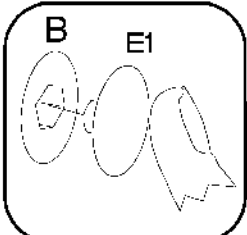
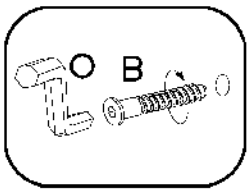
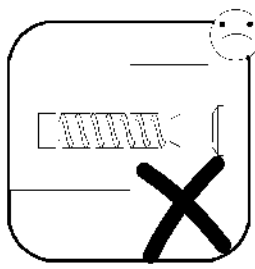
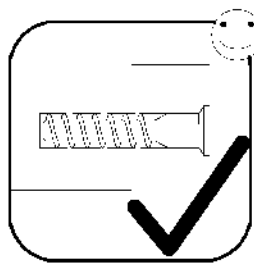


| | | |
|-----|-------------------------------|-----------------------------|
| | $\pm 3.5 \times 13 \text{mm}$ | $\pm 8 \times 30 \text{mm}$ |
| F15 | P5 | A |
| 4 | 16 | 4 |



3

| | | | |
|---------------------------|---|---|----|
| $6.4 \times 50 \text{mm}$ | | | |
| | B | O | E1 |
| | 4 | 1 | 4 |



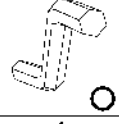
4

6,4 x 50mm



B

4



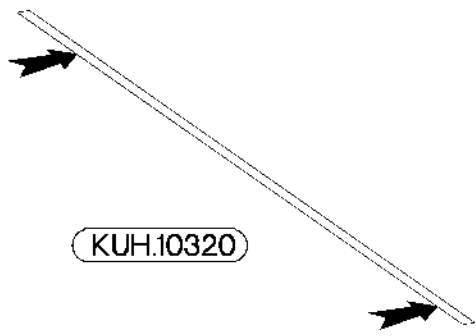
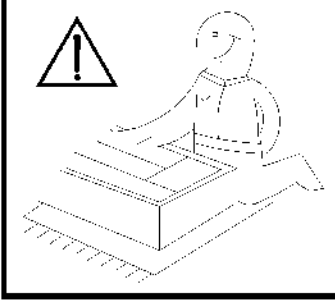
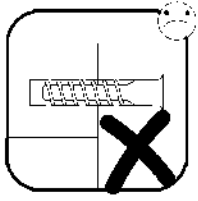
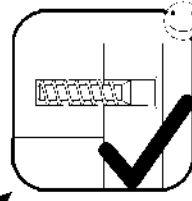
O

1

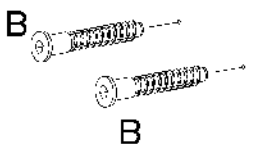


E1

4

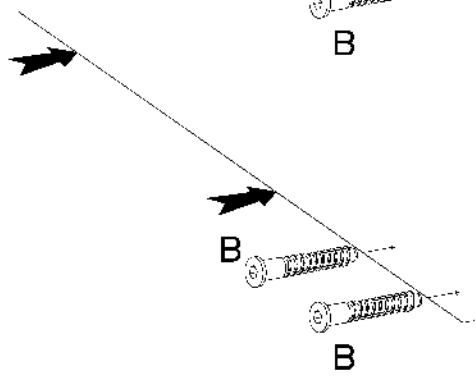


KUH.10320



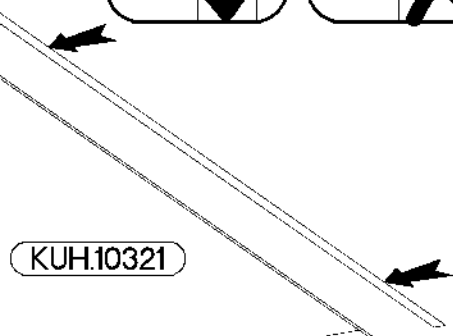
B

B

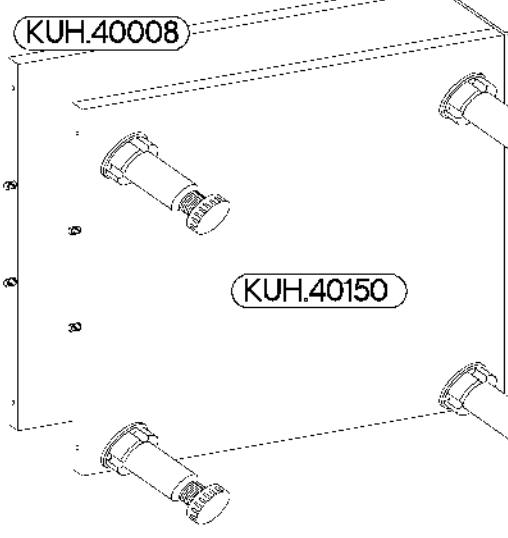


B

B

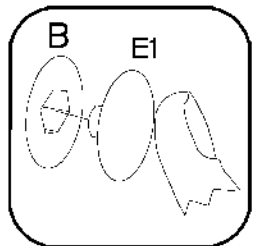
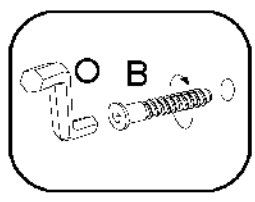


KUH.10321



KUH.40008

KUH.40150



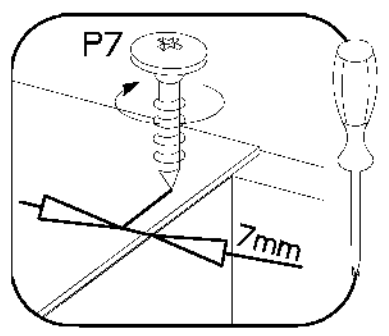
5

+3.0x20mm



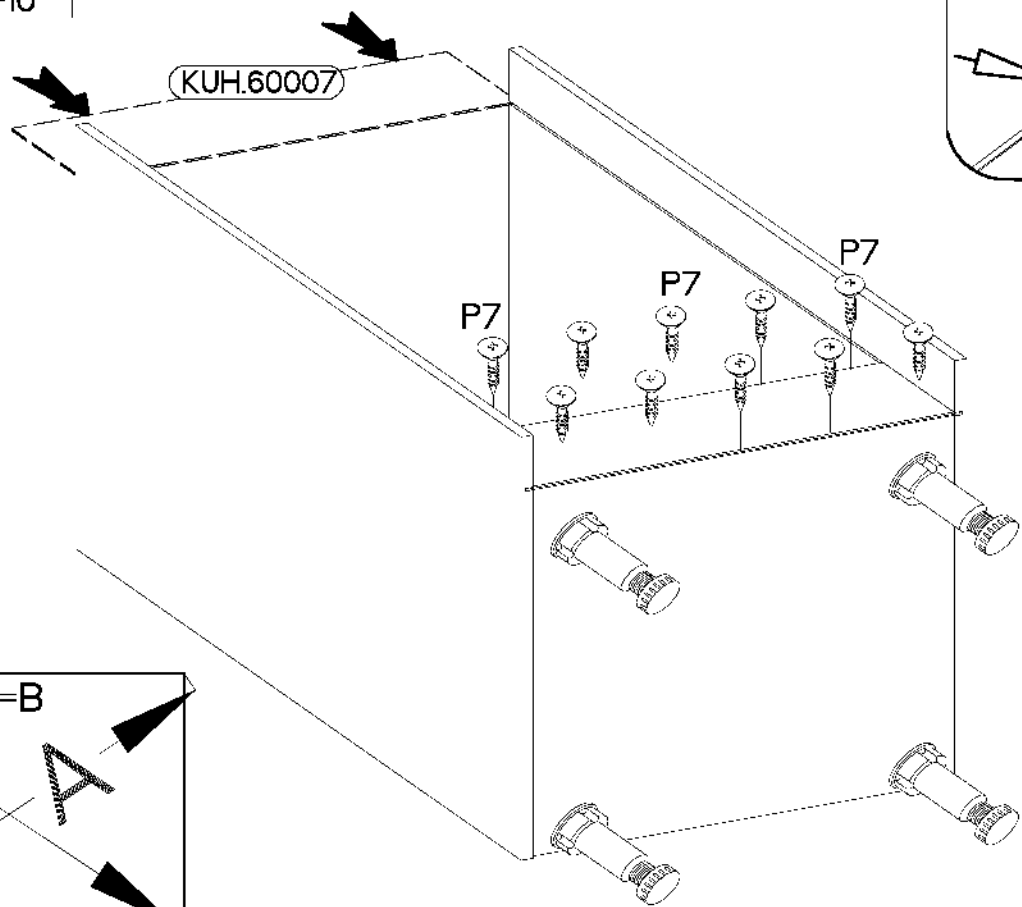
P7

8-10



P7

7mm

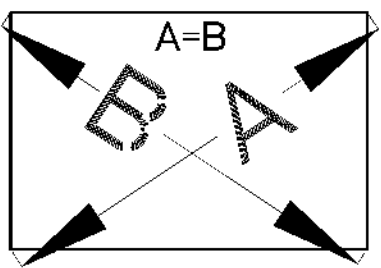


KUH.60007

P7

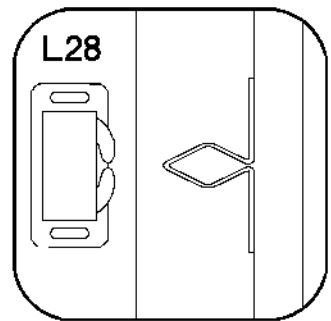
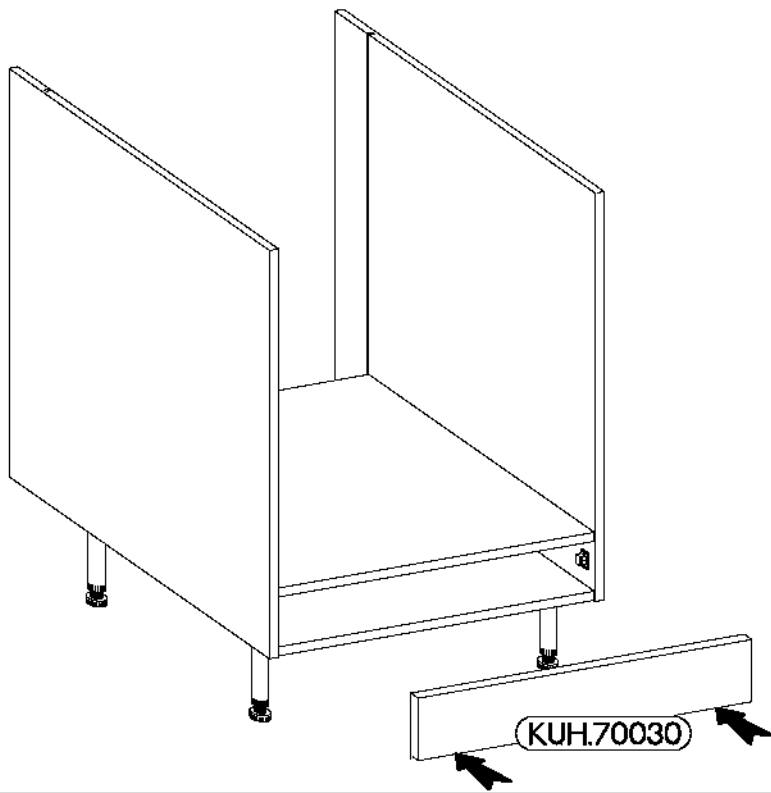
P7

P7



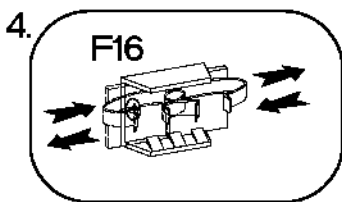
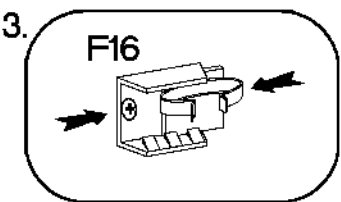
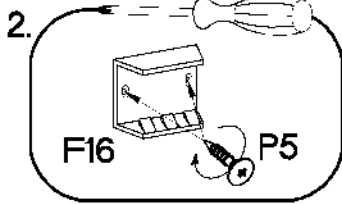
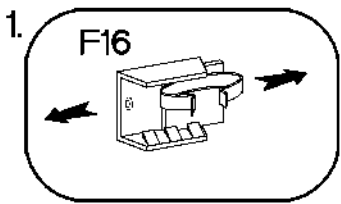
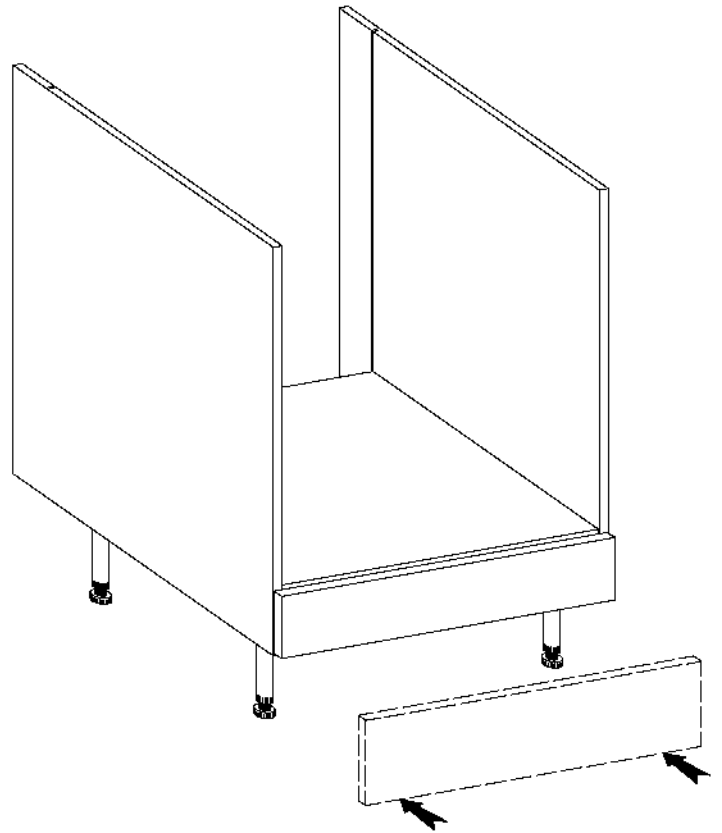
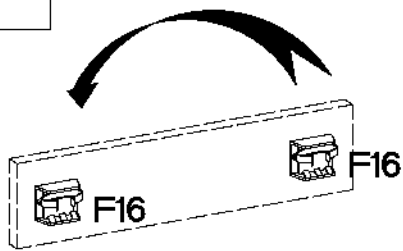
A=B

6

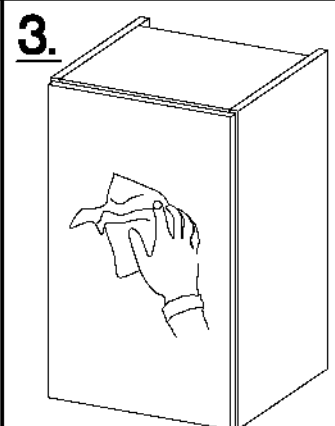
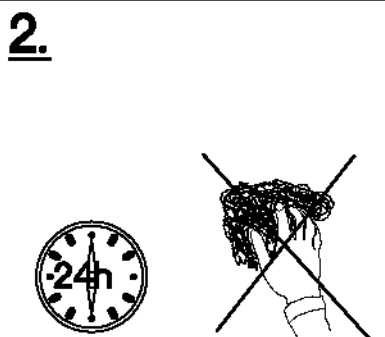
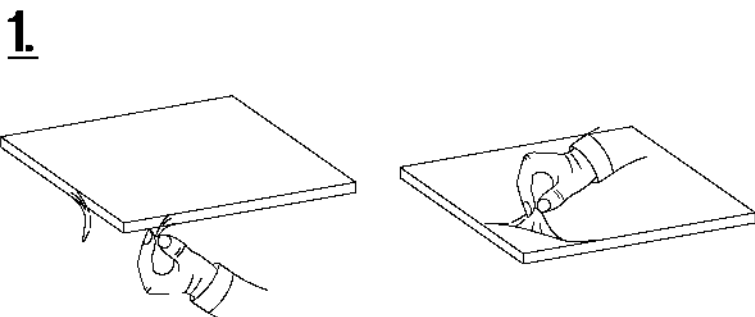


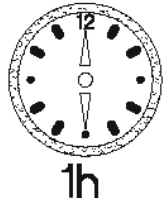
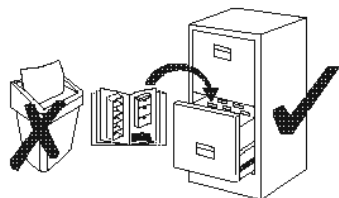
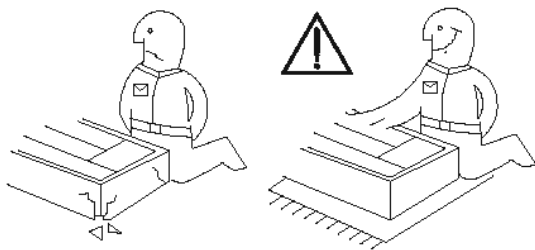
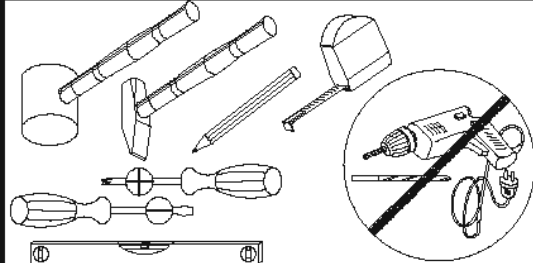
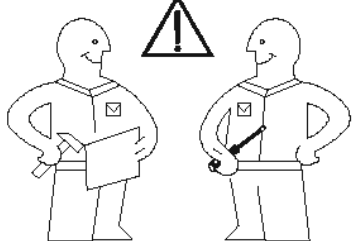
7

| | |
|-------------|--------------|
| P5 4 | F16 2 |
|-------------|--------------|



VARIANT HIGH GLOSS





SAFADO / MARLEEN

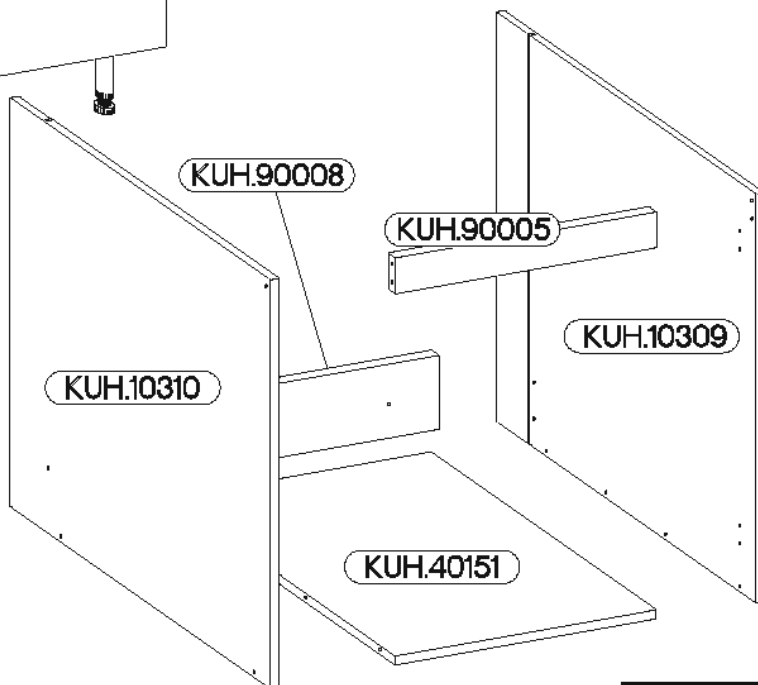
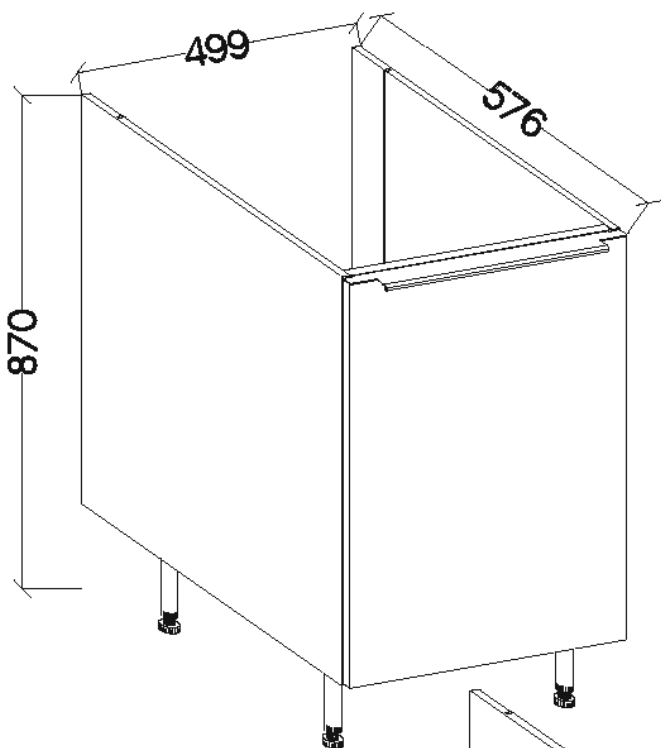
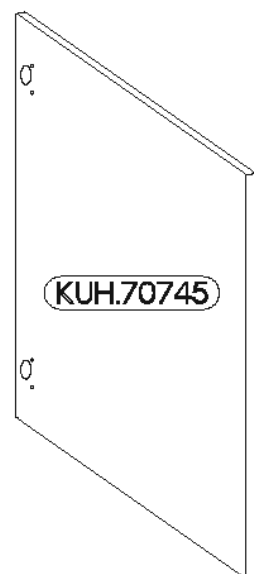
84-170-...
84-176-...
84-17C-...



respekta®



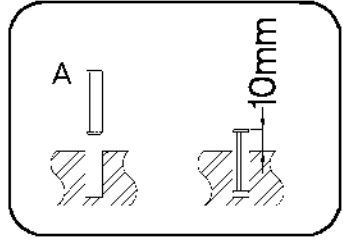
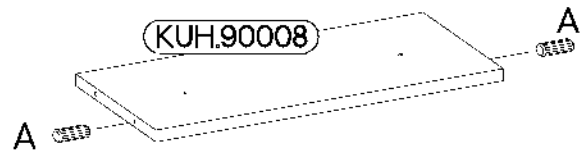
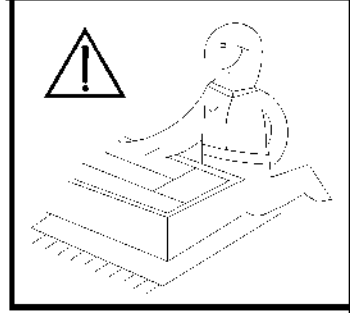
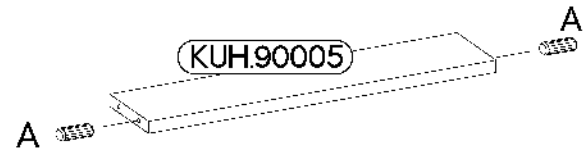
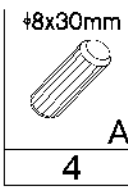
KUH.40151



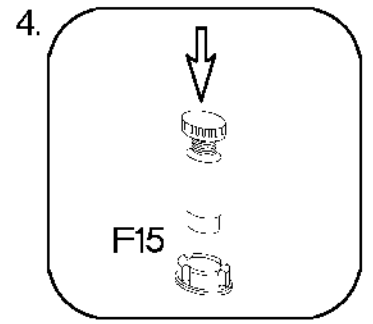
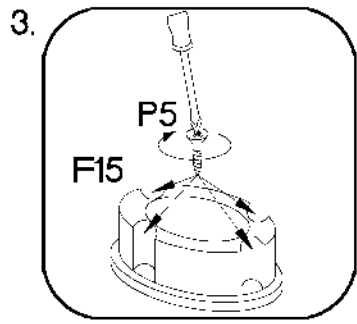
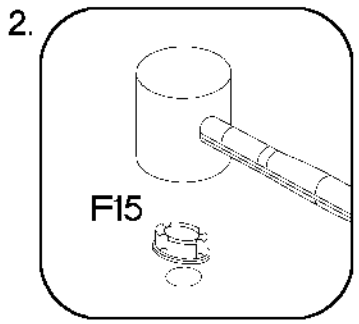
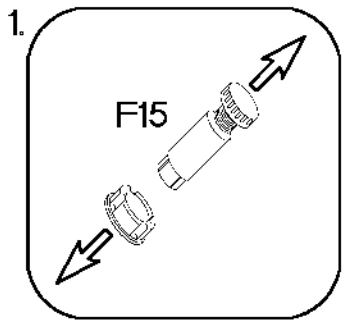
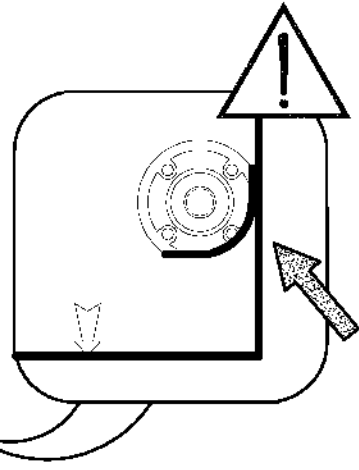
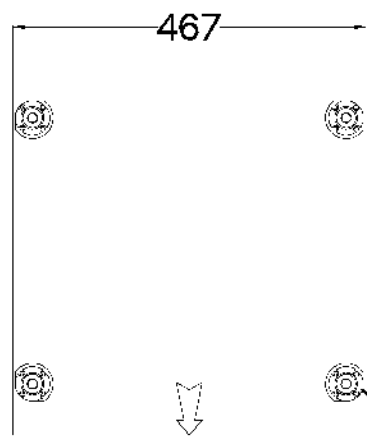
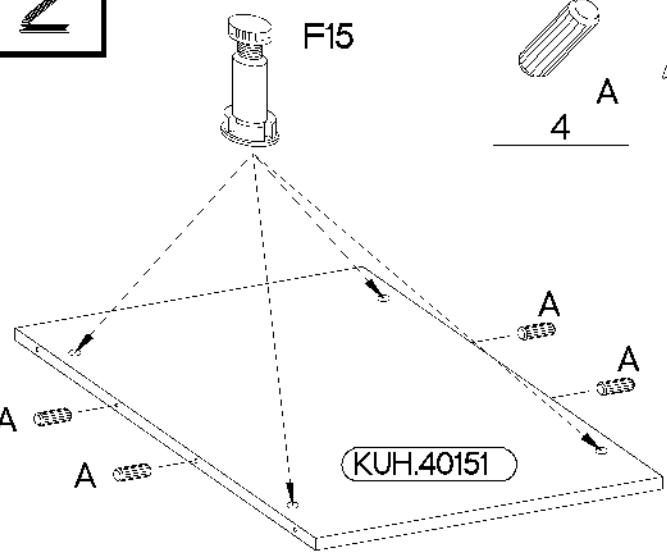
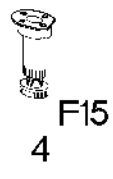
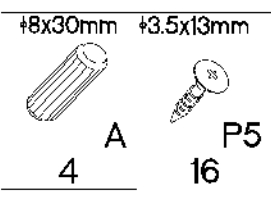
| | | | | |
|-----------------------|--------------------------|------------------------|----------------------------|---------------------------|
| ±8x30mm A 8 | 6,4 x 50mm B 8 | E1 8 | L37 2 | L38 2 |
| F15 4 | F16 2 | ±35/0mm HG 2 | O 1 | ±3.5x13mm P5 32 |
| | | | ±3.0x16mm P11 17 | L=495mm SL50 1 |
| | | | | T10 2 |

| Colli | Spare Part | Dimension |
|--------------|------------|------------|
| Colli 3/6 | KUH.10309 | 720x560x16 |
| | KUH.10310 | 720x560x16 |
| | KUH.40151 | 467x485x16 |
| | KUH.70745 | 711x496x16 |
| | KUH.90005 | 467x63x16 |
| | KUH.90008 | 467x130x16 |

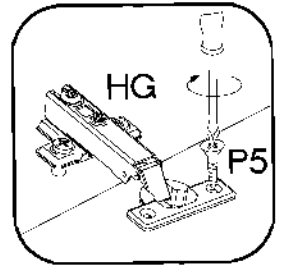
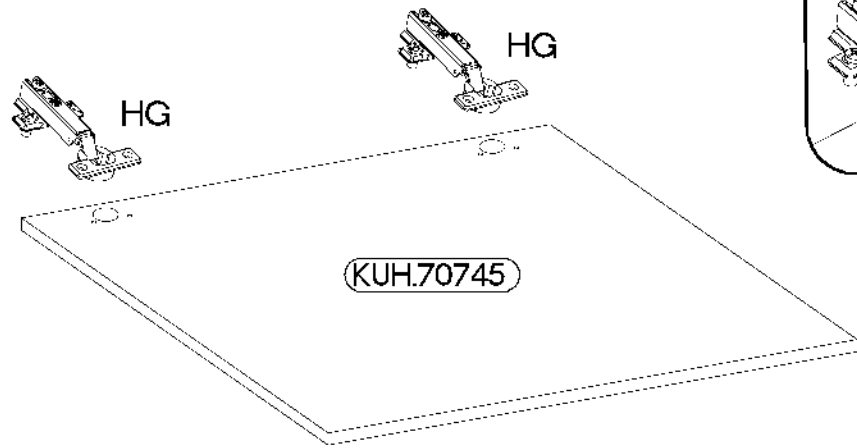
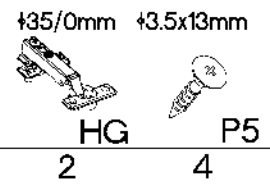
ISM-KUH-01603



2

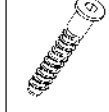


3



4

6,4 x 50mm



B

4



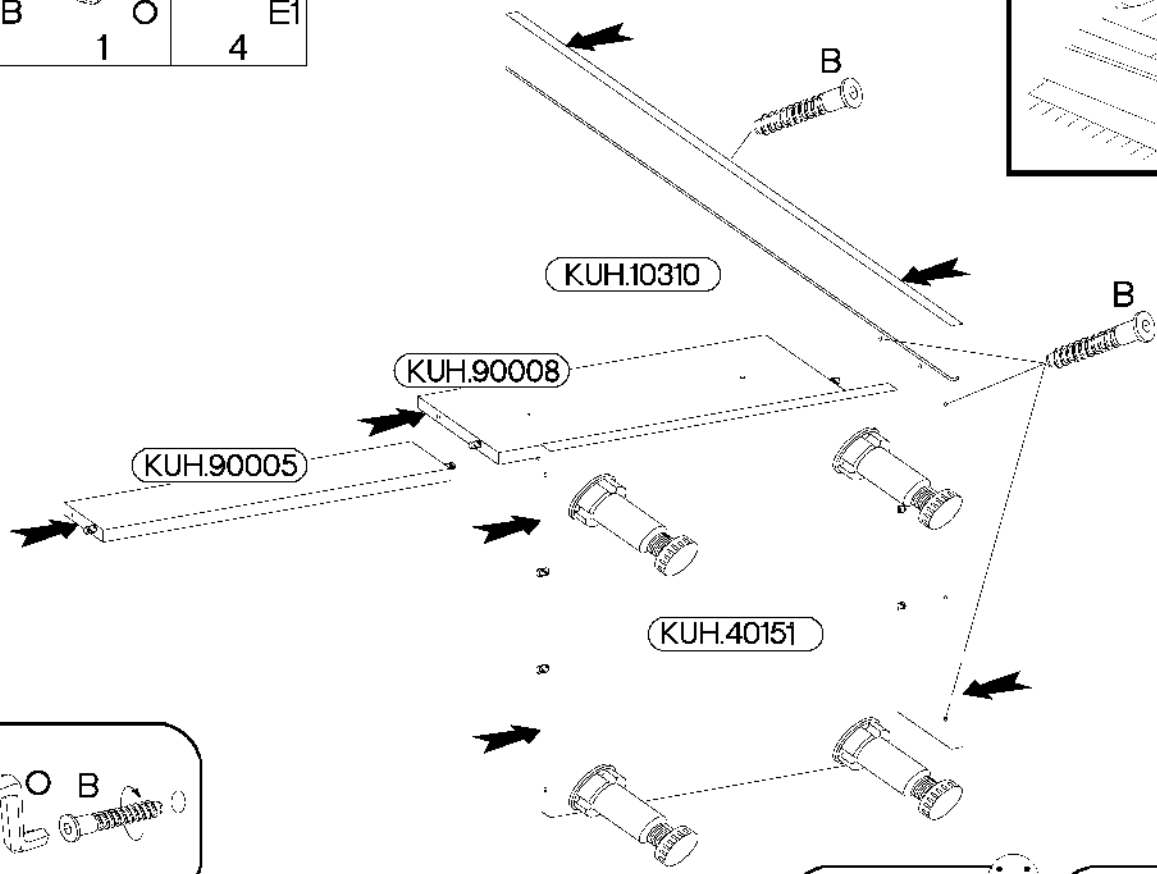
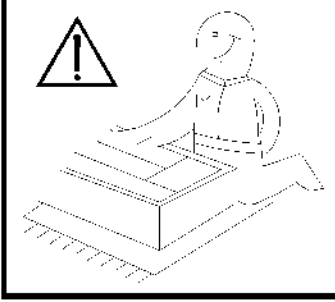
O

1

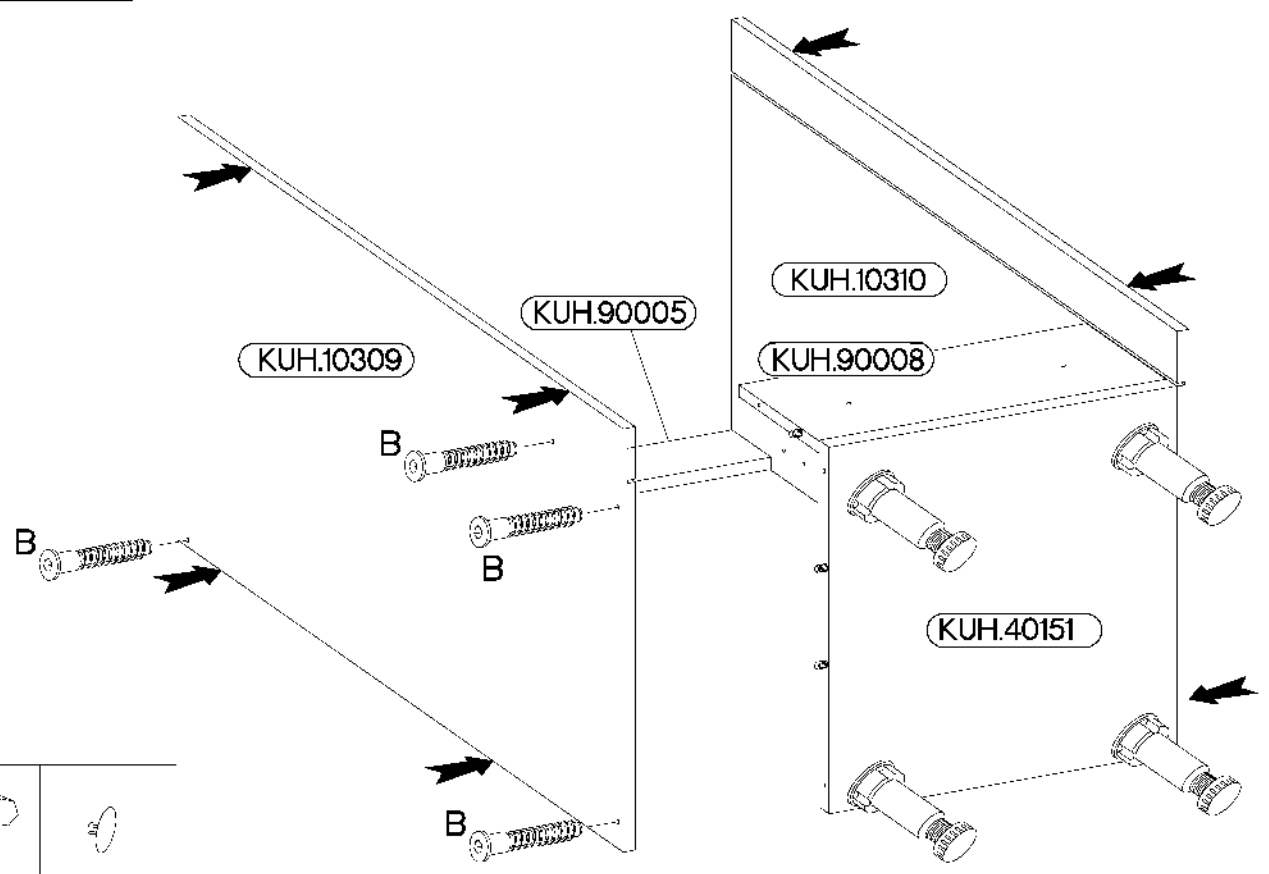
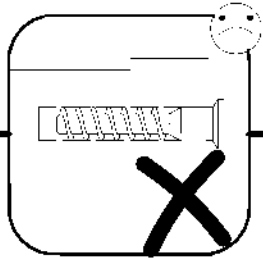
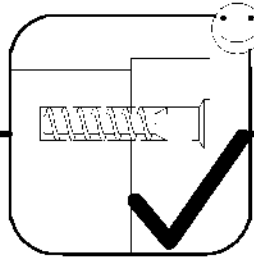
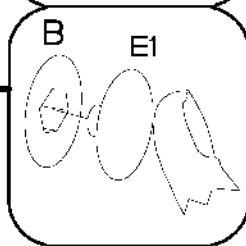
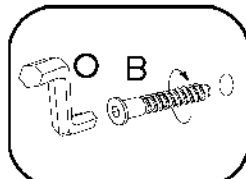


E1

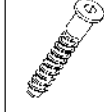
4



5

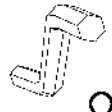


6,4 x 50mm



B

4



O

1



E1

4

6

+3.5x13mm



P5

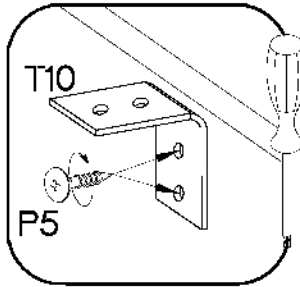
8



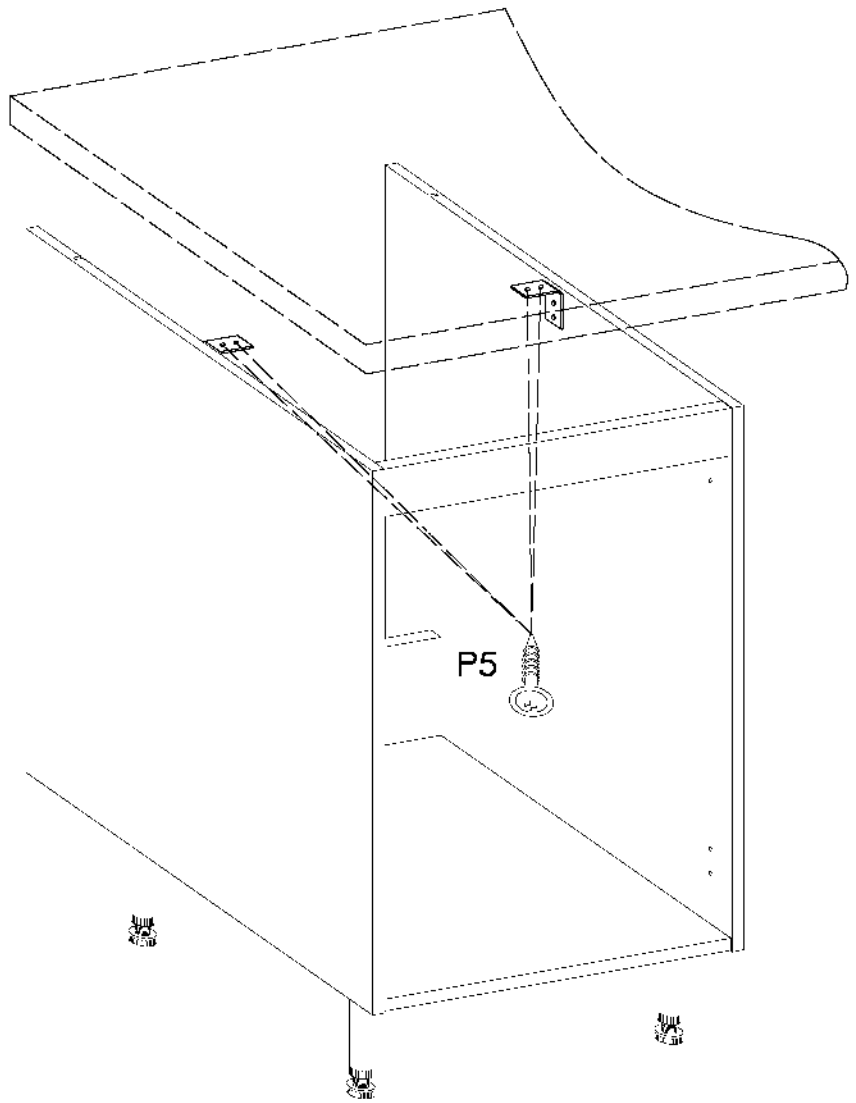
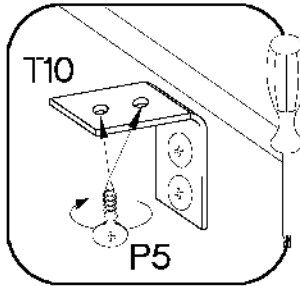
T10

2

1.



2.

**7**

+3.5x13mm



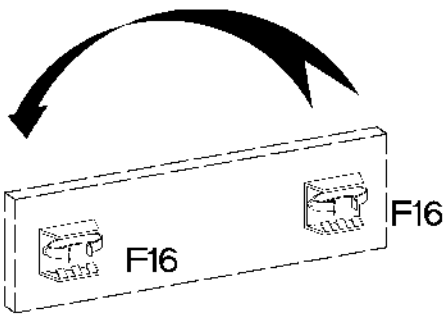
P5

4

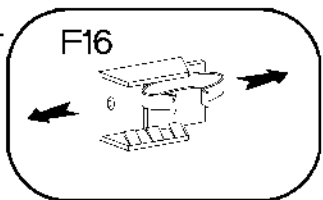


F16

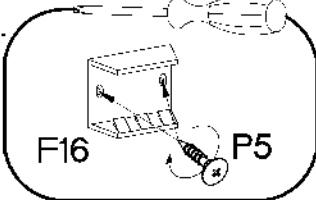
2



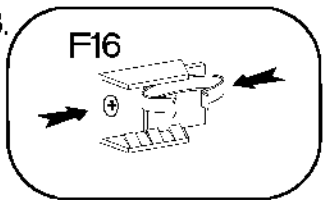
1.



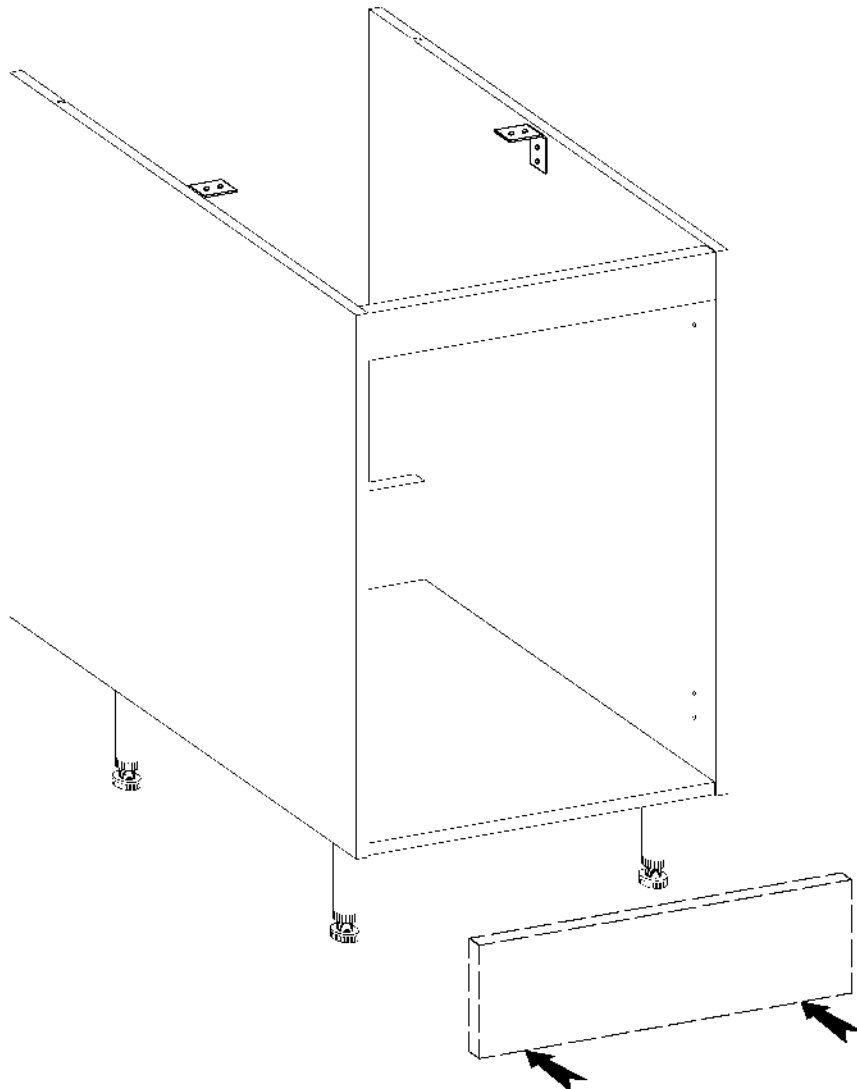
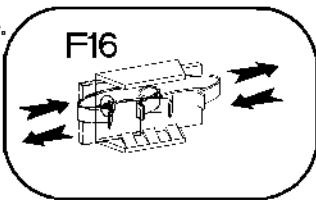
2.





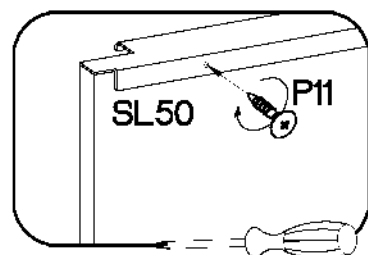
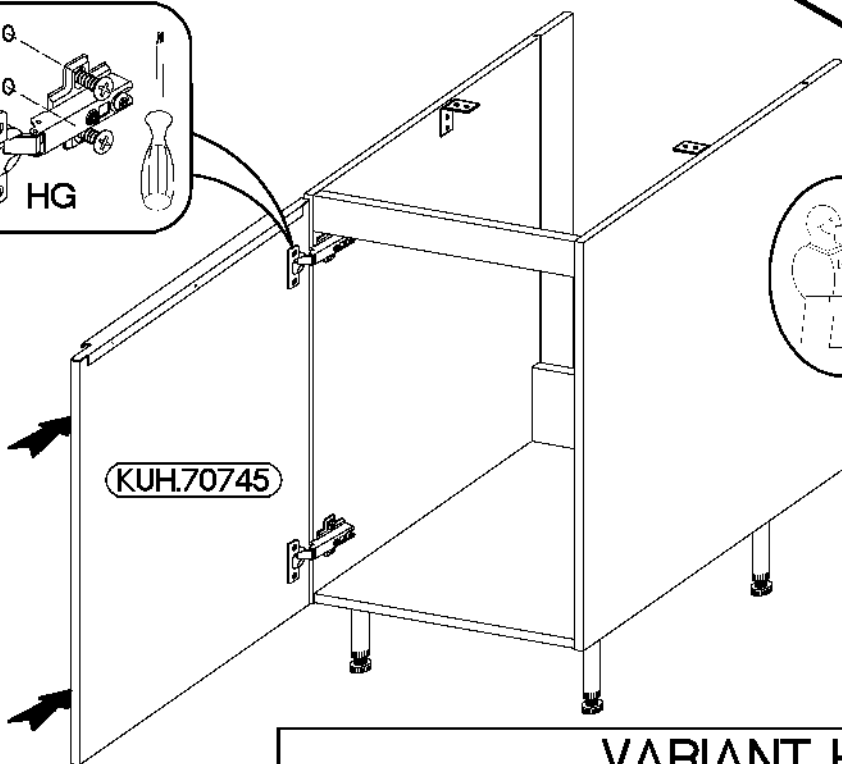
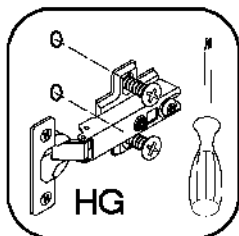
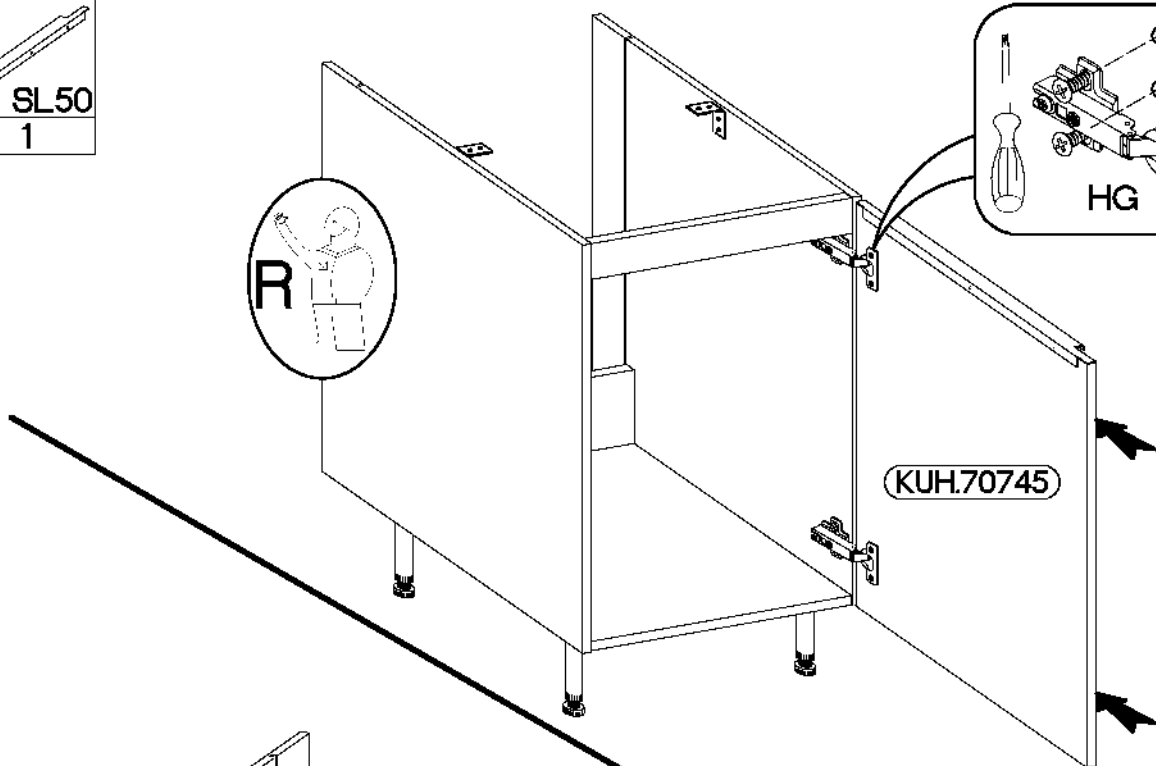
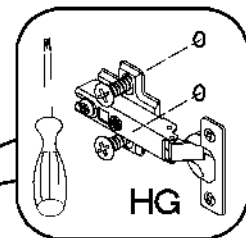
3.



4.

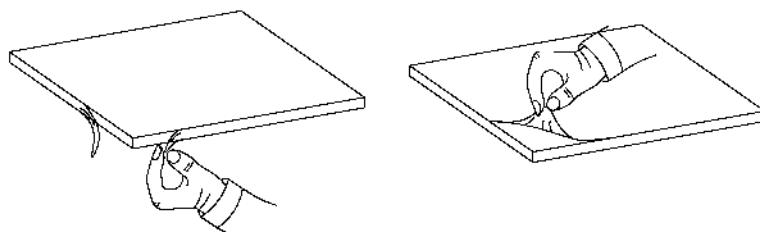


| | |
|--|--|
| Ø3.0x16mm | L=495mm |
|  |  |
| P11 | SL50 |
| 3 | 1 |

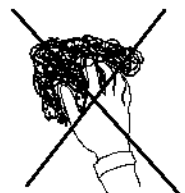


VARIANT HIGH GLOSS

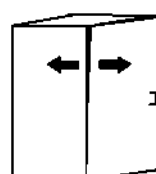
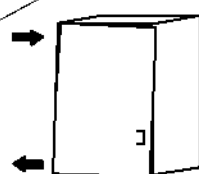
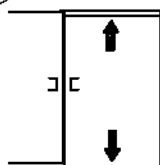
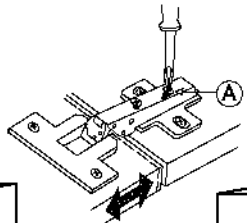
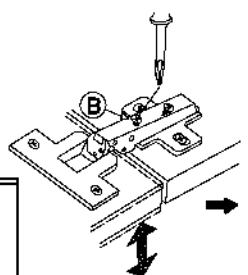
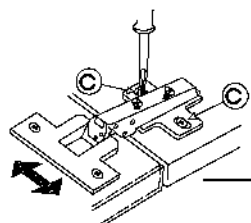
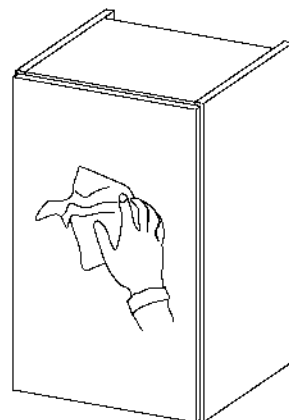
1.

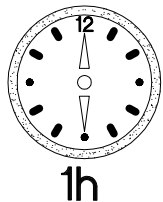
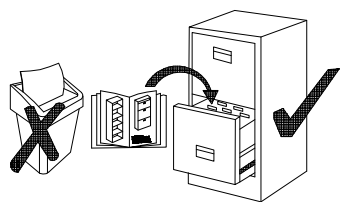
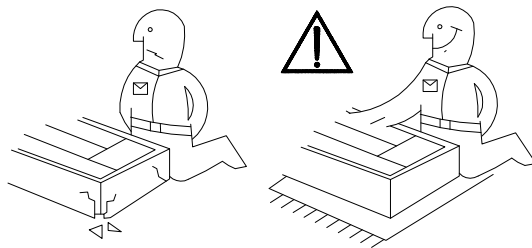
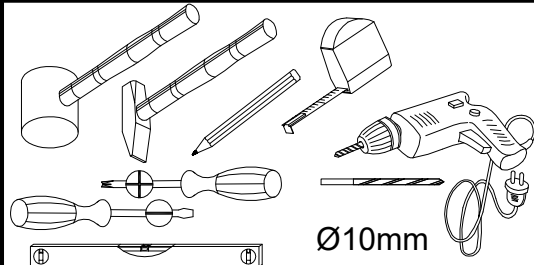
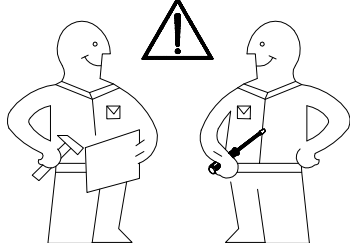


2.



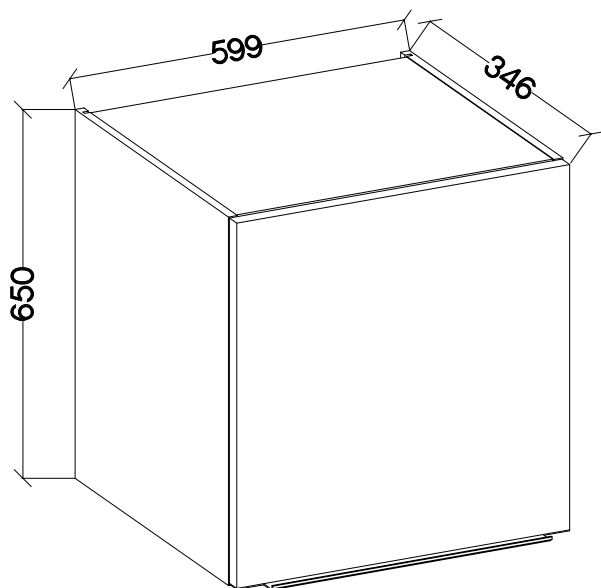
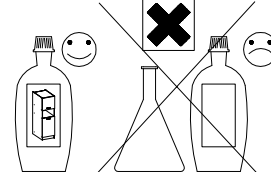
3.



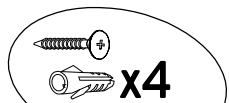
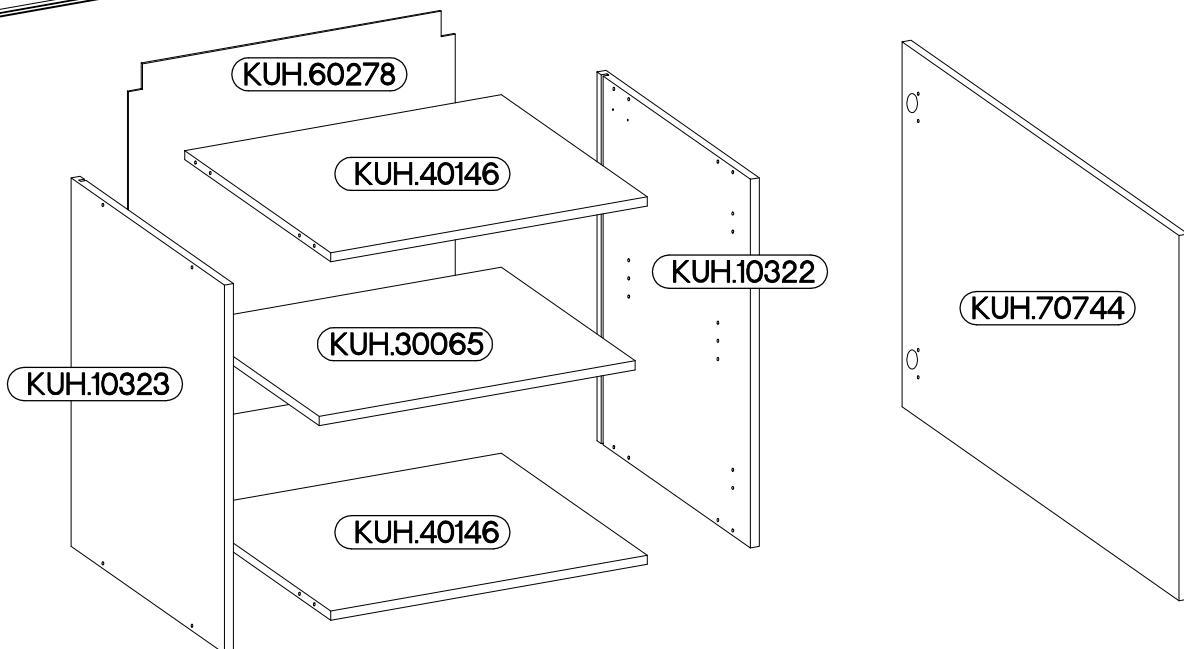
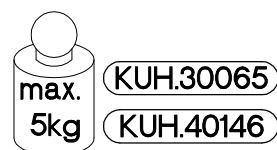


SAFADO / MARLEEN

84-170-...
84-176-...
84-17E-...



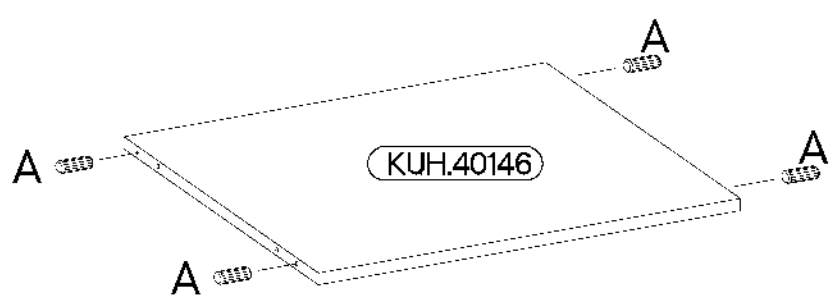
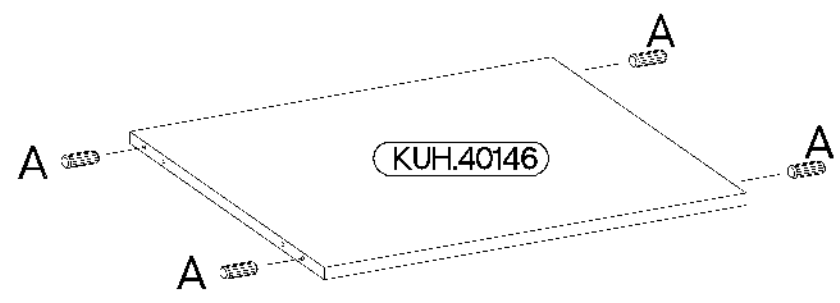
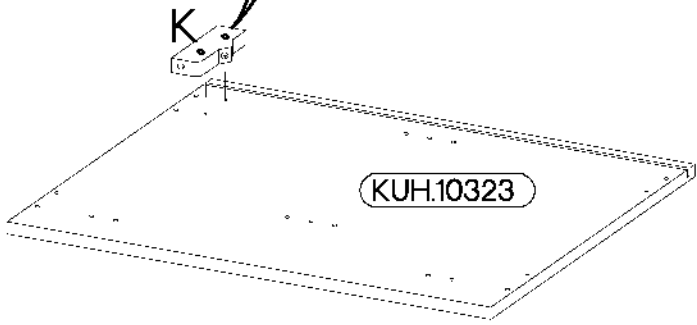
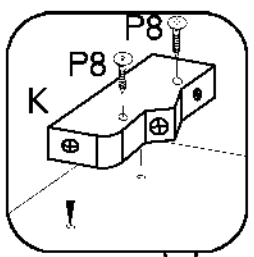
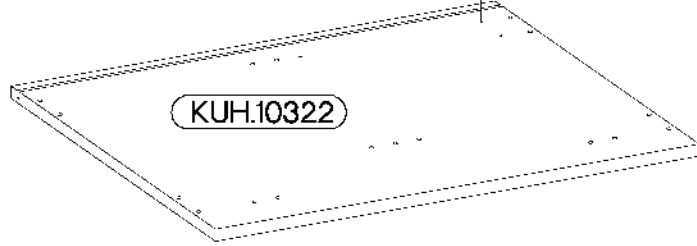
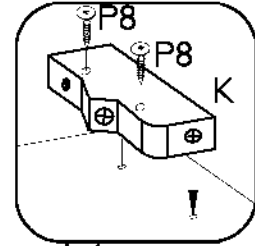
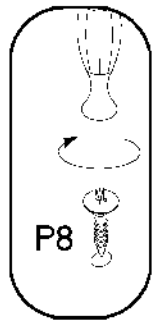
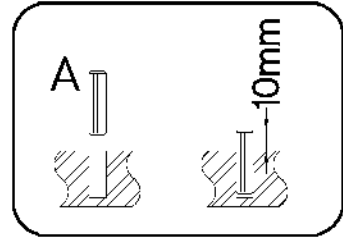
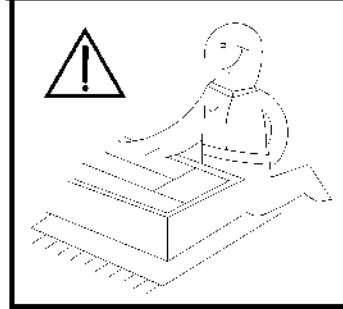
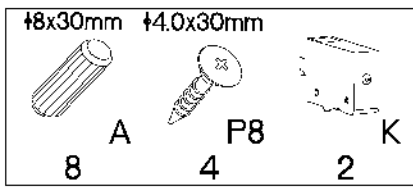
respekta®



| | | | | | | |
|------------|-------------|-----------------|-------------|--------------|------------|---------------|
| A 8 | B 8 | E1 8 | HG 2 | J3 4 | K 2 | K16 2 |
| O 1 | P5 4 | P7 10-15 | P8 4 | P11 4 | R 2 | SL60 1 |

| Colli | Spare Part | Dimension |
|-----------|--------------|-------------|
| Colli 5/6 | KUH.10322 | 650x330x16 |
| | KUH.10323 | 650x330x16 |
| | KUH.30065 | 566x288x16 |
| | KUH.40146 x2 | 567x314x16 |
| | KUH.60278 | 646x585x2,5 |
| | KUH.70744 | 644x596x16 |

ISM-KUH-01604



2

6,4 x 50mm



4

B



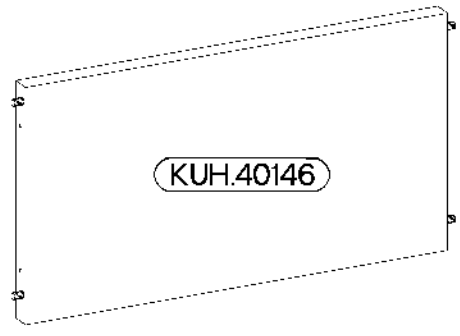
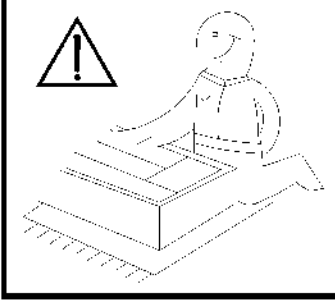
1

O

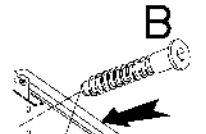


4

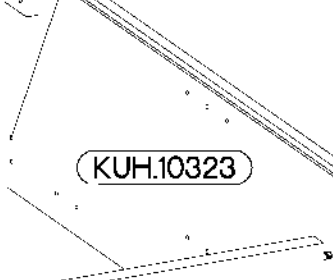
E1



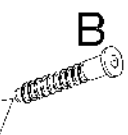
KUH.40146



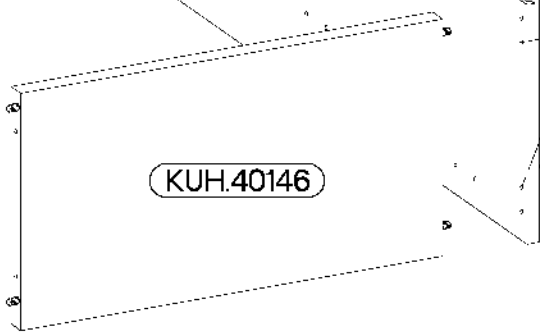
B



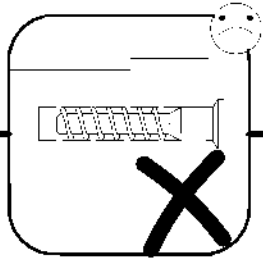
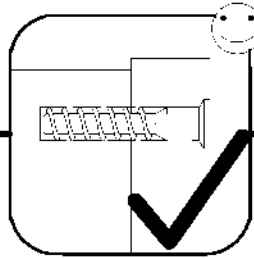
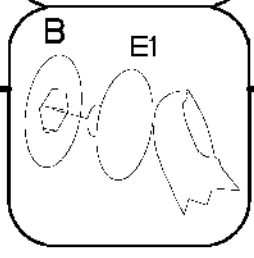
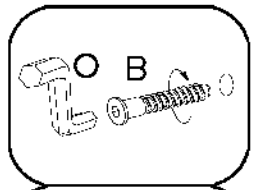
KUH.10323



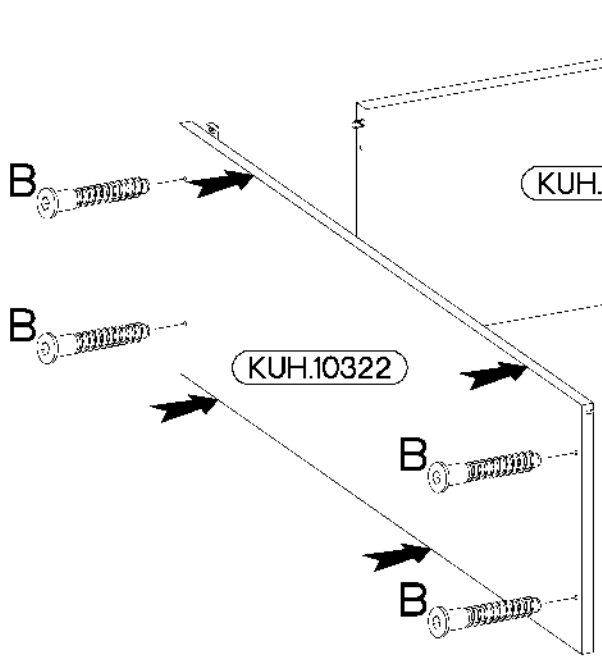
B



KUH.40146



3



KUH.40146

KUH.10322

KUH.10323

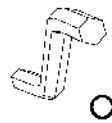
KUH.40146

6,4 x 50mm



4

B



1

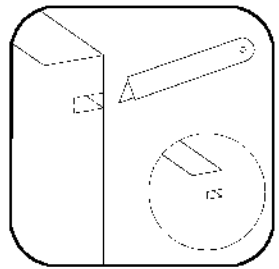
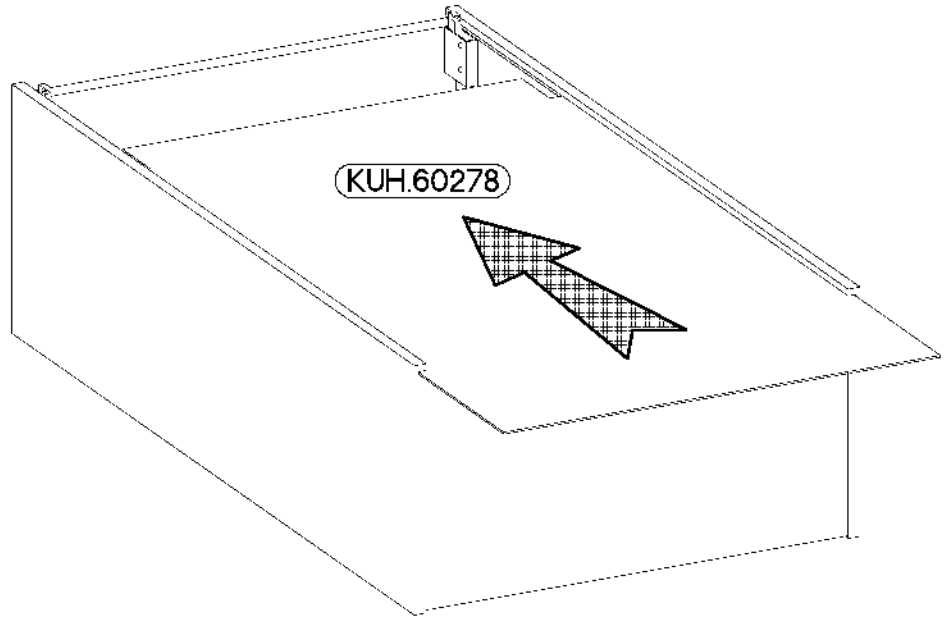
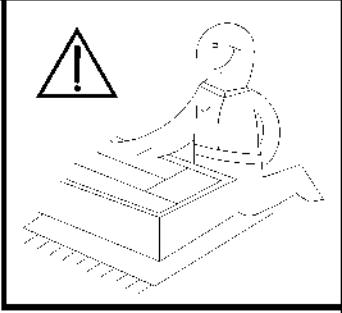
O



4

E1

4



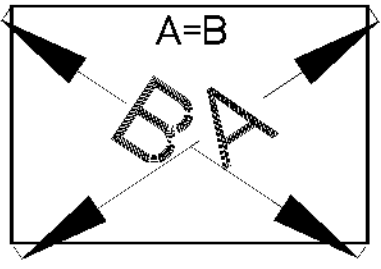
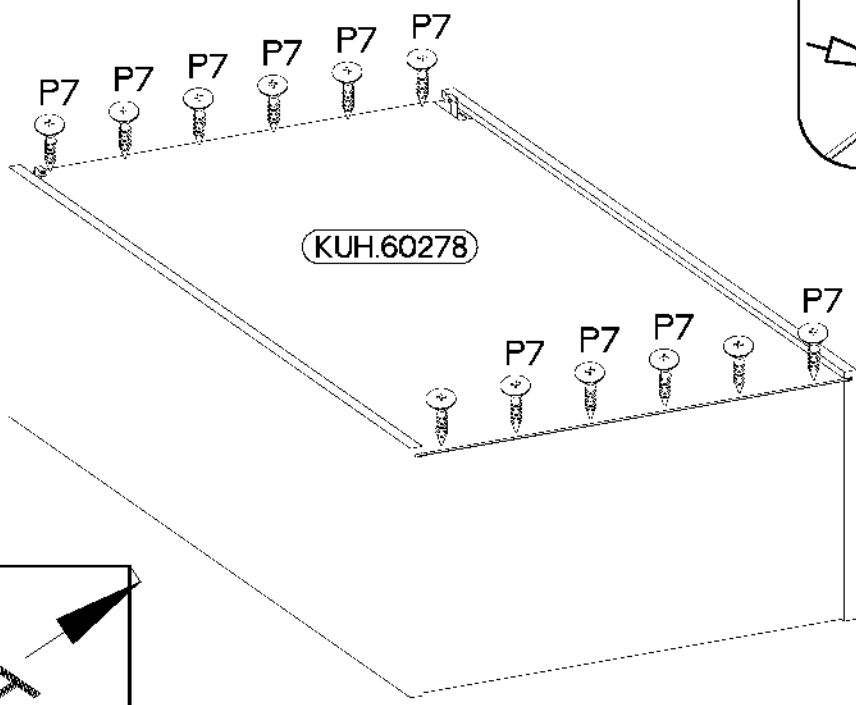
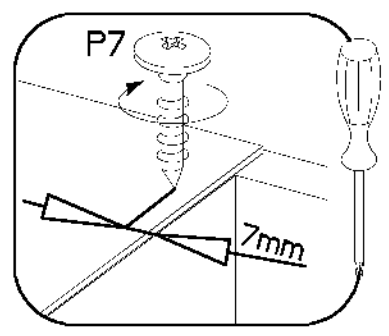
5

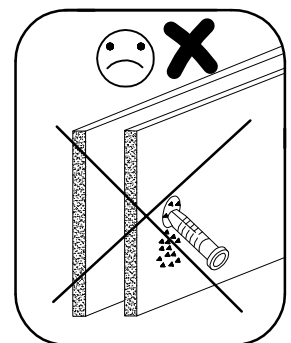
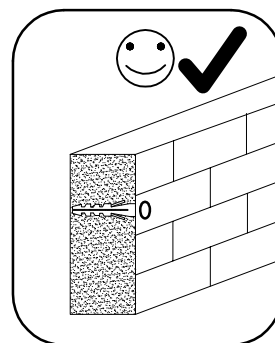
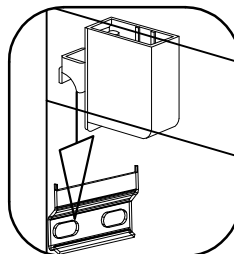
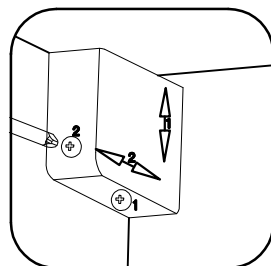
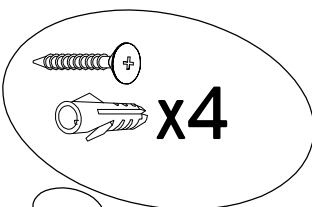
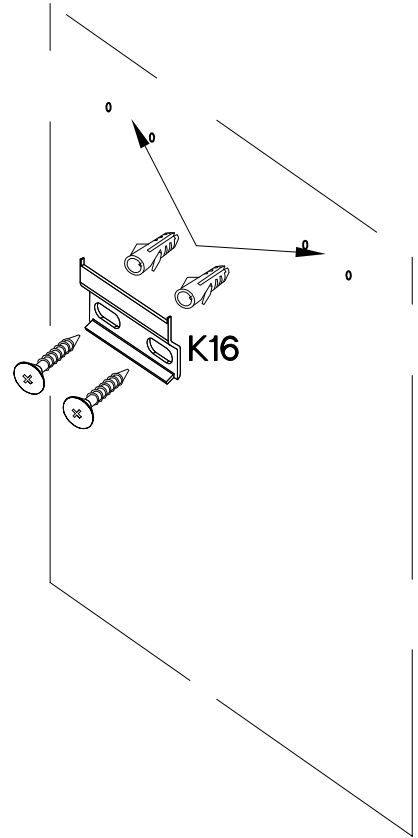
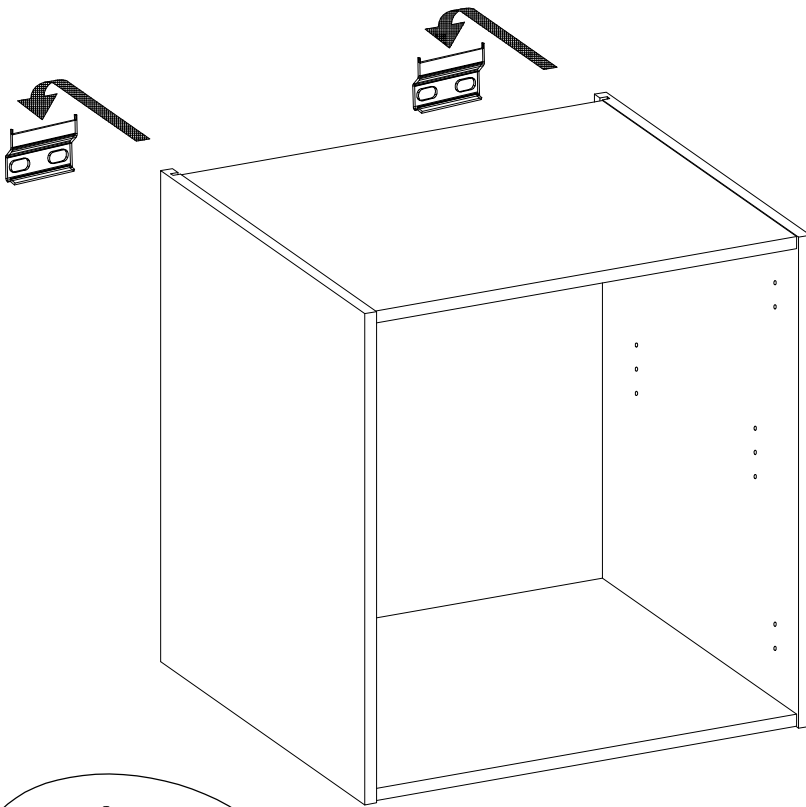
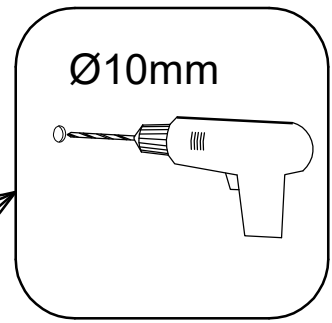
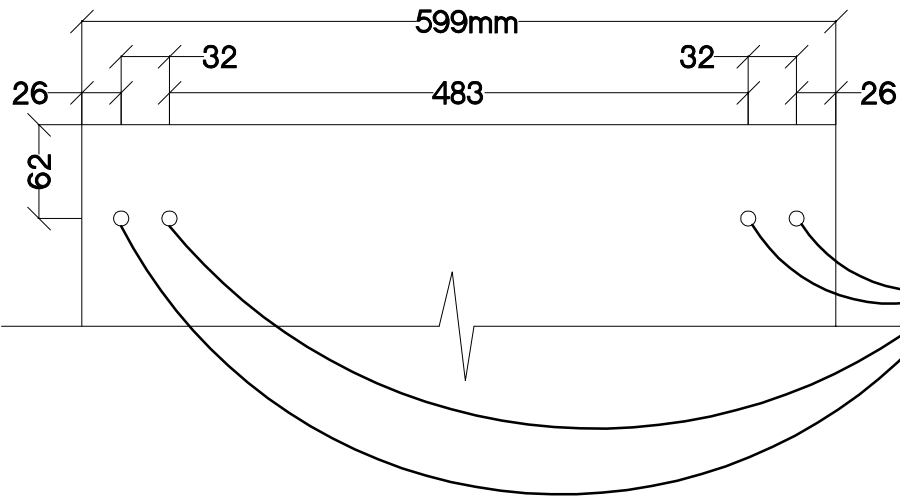
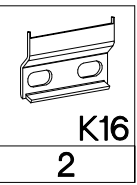
φ3.0x20mm



P7

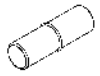
10-15





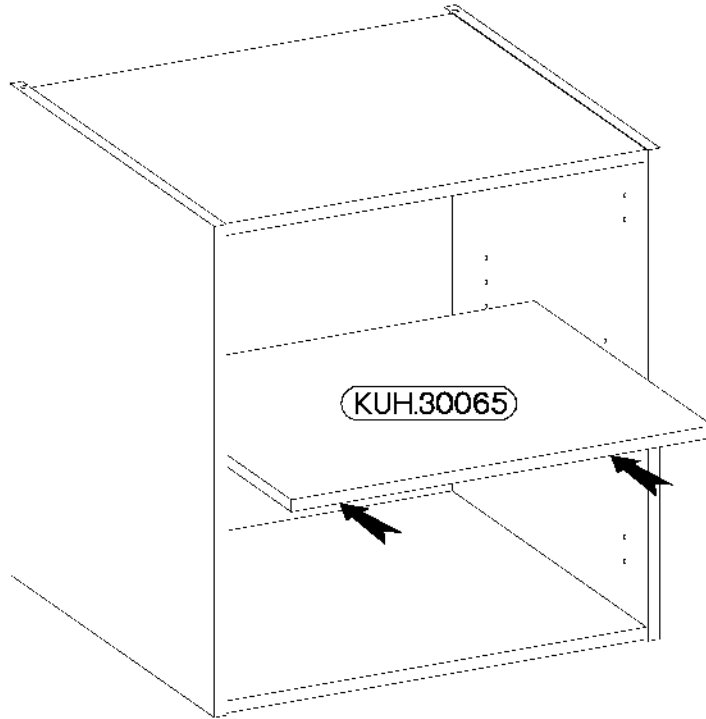
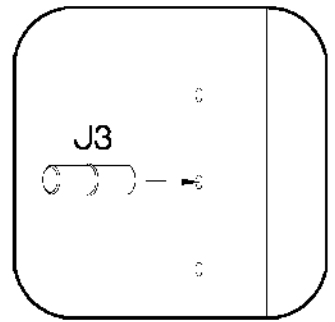


±5/16mm



J3

4



8

±35/0mm

±3.5x13mm



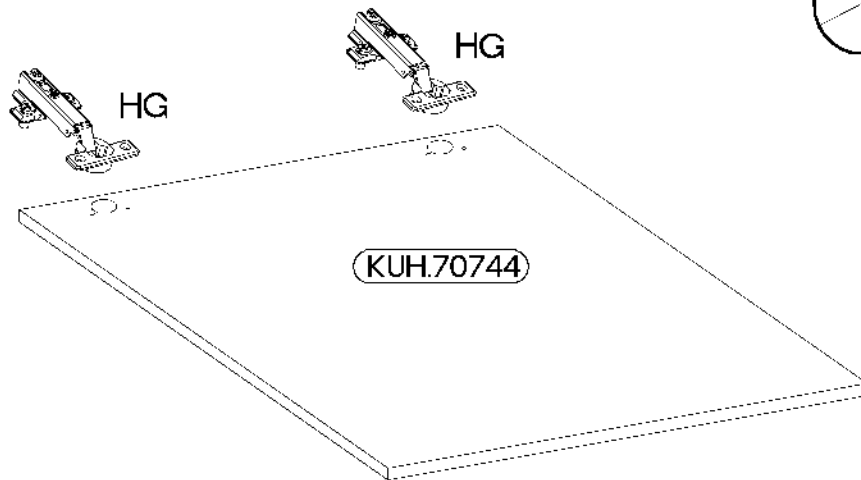
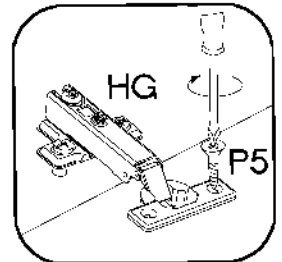
HG

2


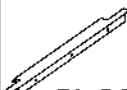


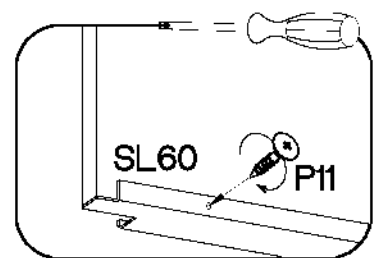
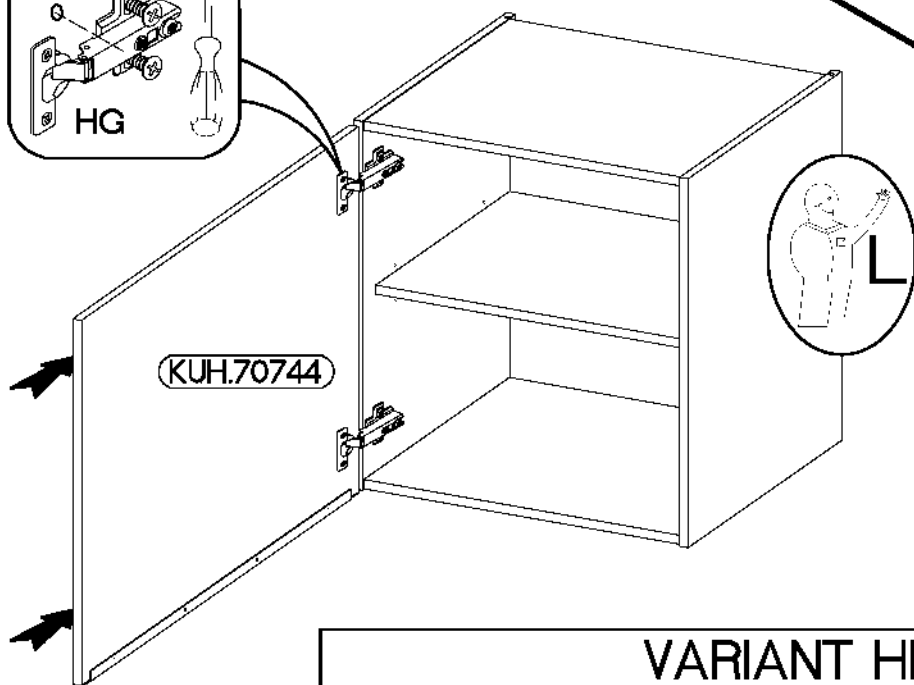
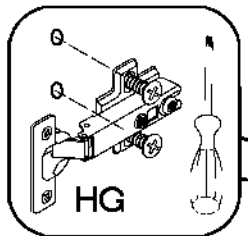
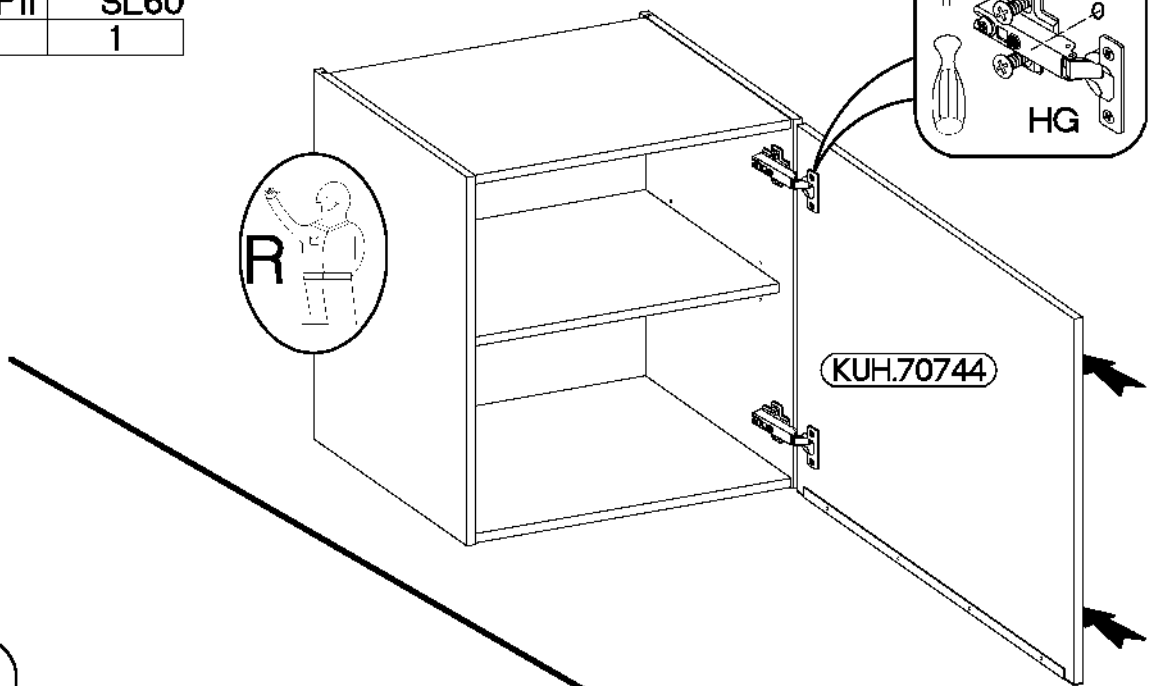
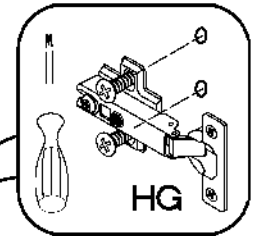
P5

4

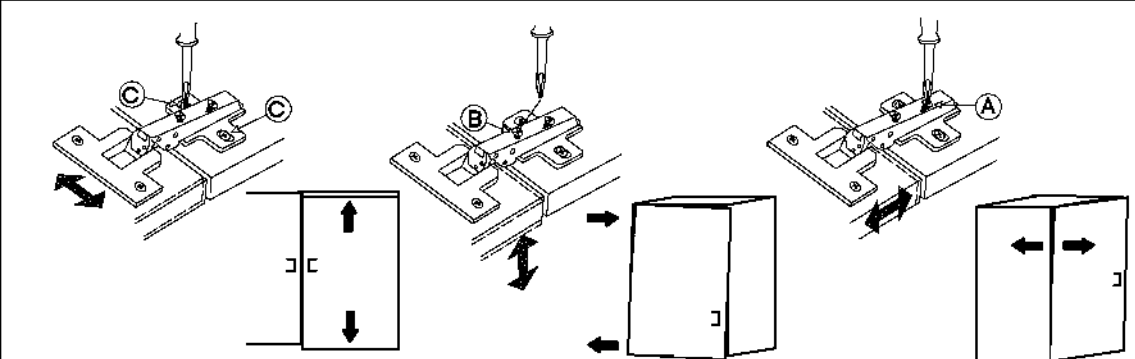
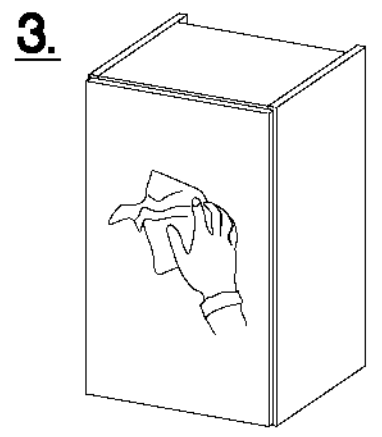
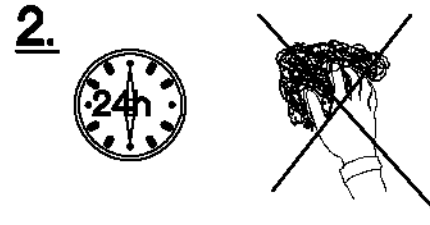
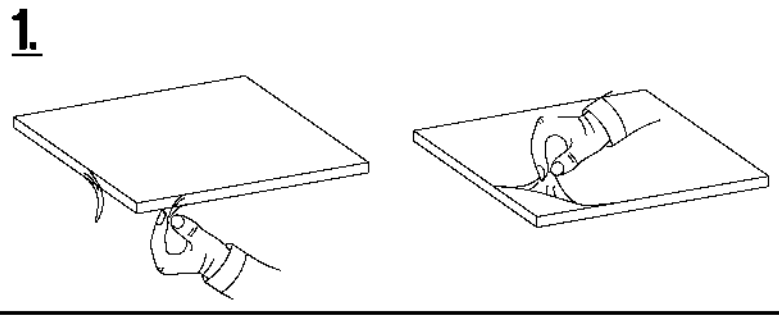


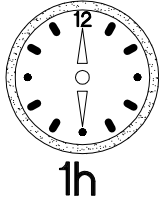
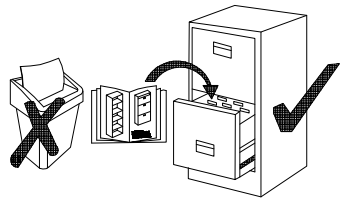
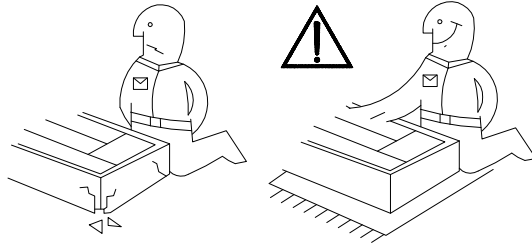
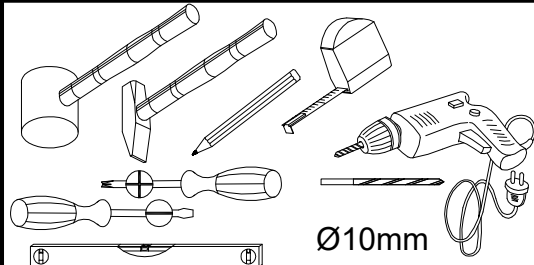
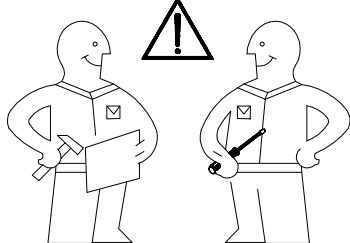
9

| | |
|--|--|
| 3.0x16mm | L=595mm |
|  |  |
| P11 | SL60 |
| 4 | 1 |

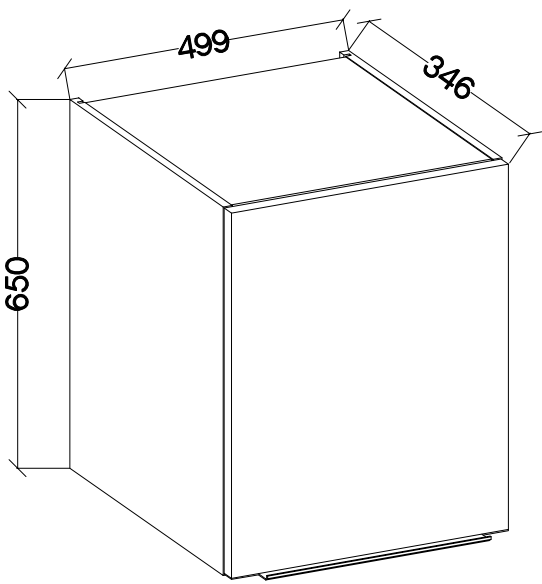
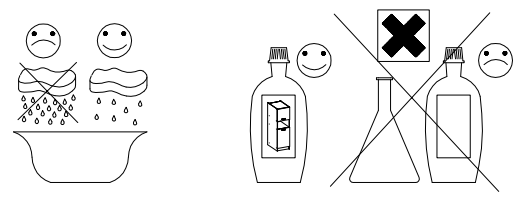


VARIANT HIGH GLOSS

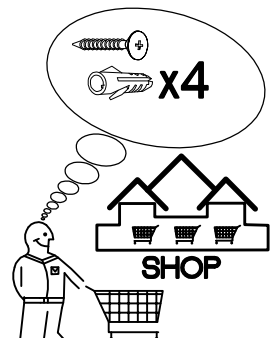
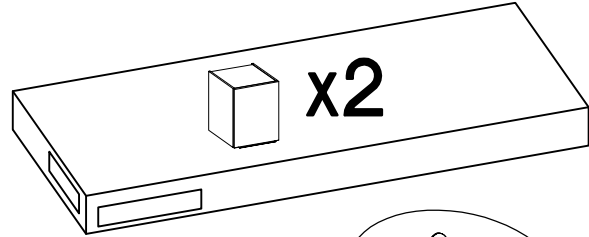




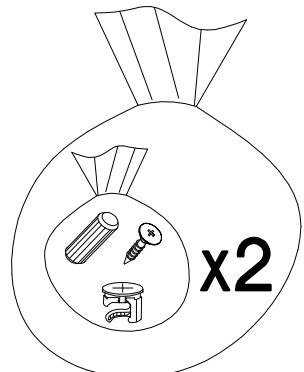
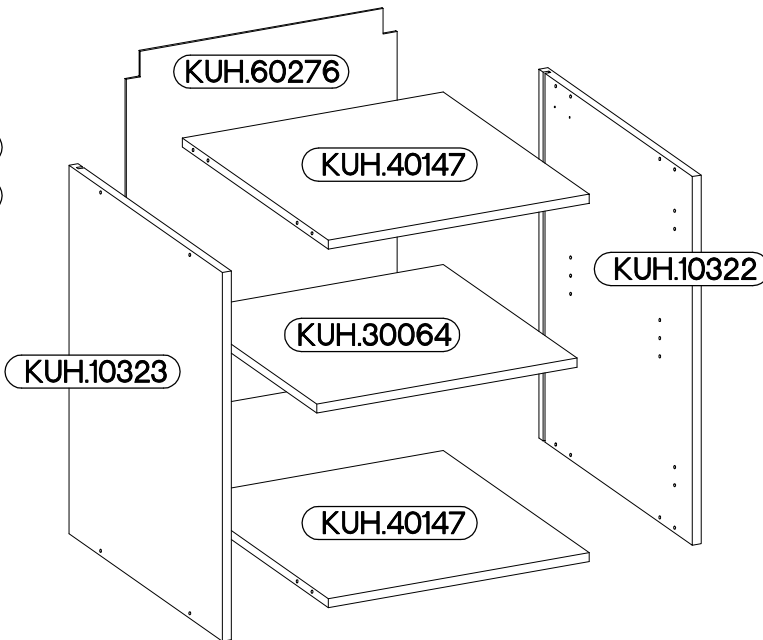
SAFADO / MARLEEN
 84-170-...
 84-176-...
 84-17D-...



respekta®



max. 5kg
 KUH.30064
 KUH.40147

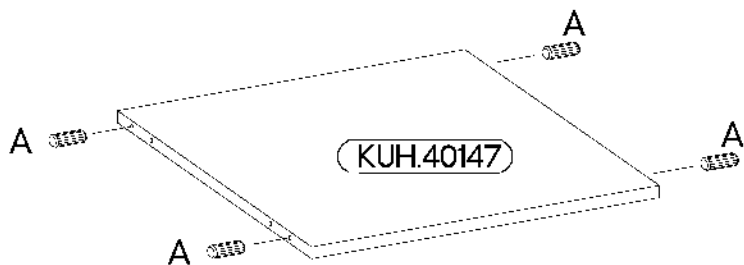
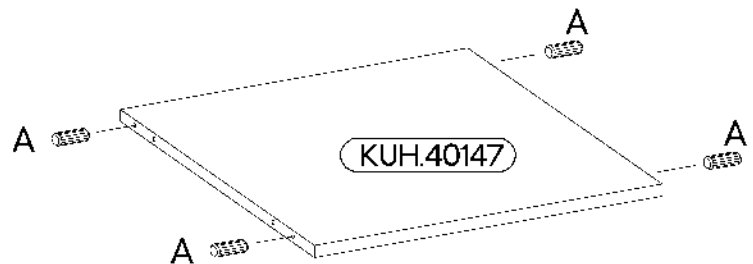
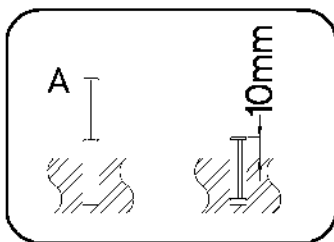
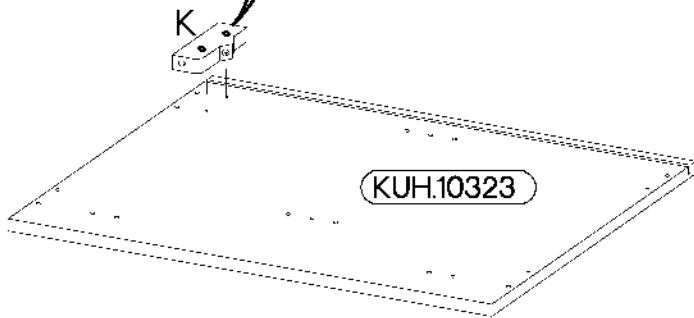
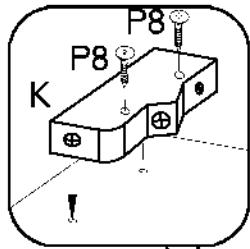
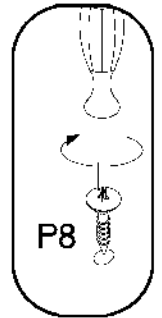
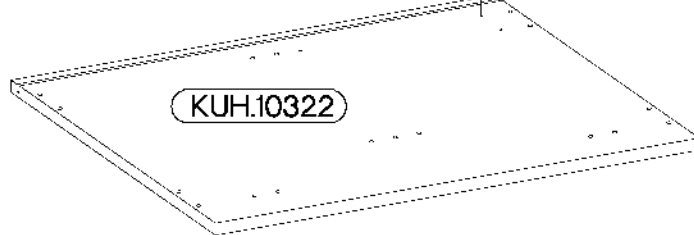
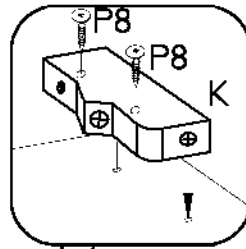
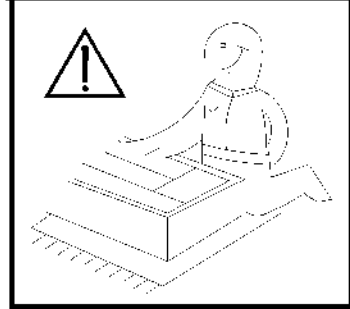
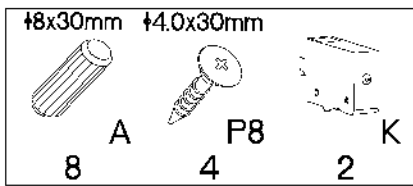


| | | | | | | |
|---------------------|-------------------|--------------------|-----------------------|--------------------|---------------------|----------------------|
| A 8 | B 8 | E1 8 | HG 2 | J3 4 | K 2 | |
| K16 2 | O 1 | P5 4 | P7 8-10 | P8 4 | P11 3 | SL50 1 |
| | | +3.5x13mm | +3.0x20mm | +4.0x30mm | +3.0x16mm | L=495mm |

| Colli | Spare Part | Dimension |
|-----------|--------------|-------------|
| Colli 4/6 | KUH.10322 | 650x330x16 |
| | KUH.10323 | 650x330x16 |
| | KUH.30064 | 466x288x16 |
| | KUH.40147 x2 | 467x314x16 |
| | KUH.60276 | 646x485x2,5 |
| | KUH.70743 | 644x496x16 |

x2

ISM-KUH-01605



2

6,4 x 50mm



4

B



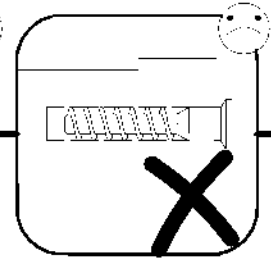
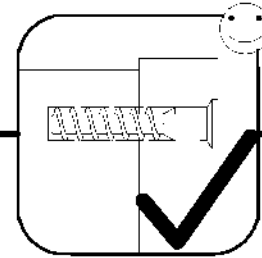
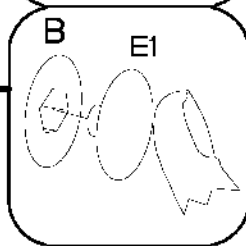
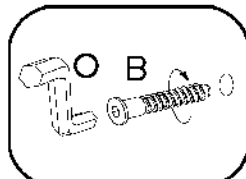
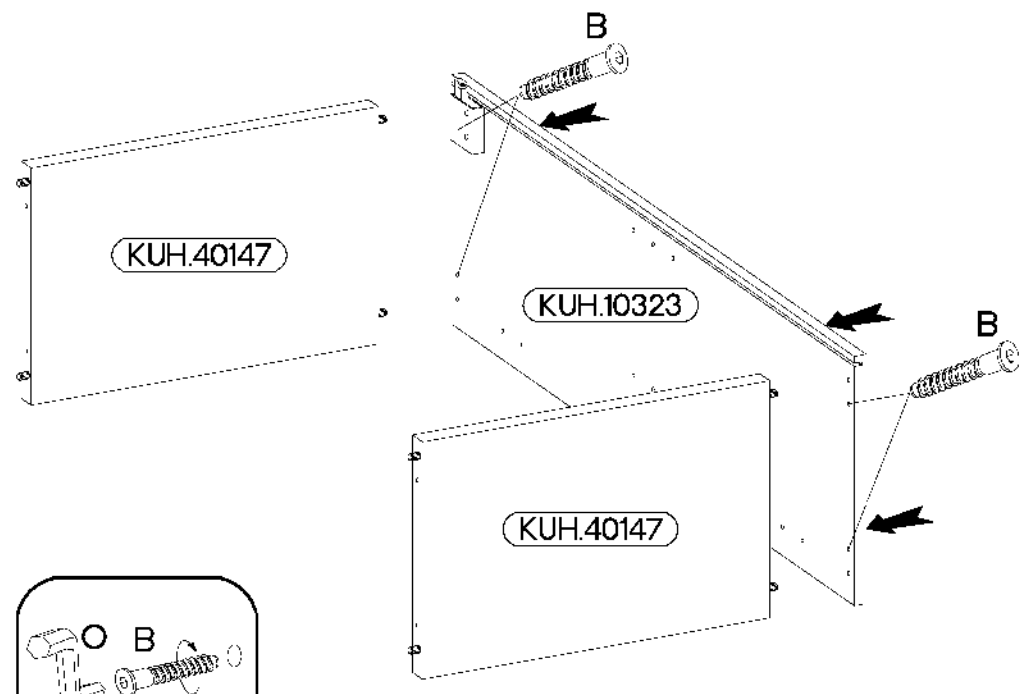
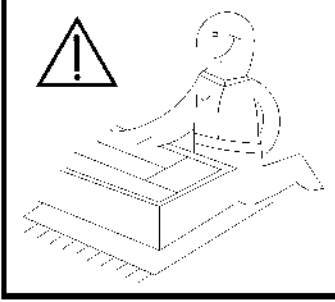
1

O

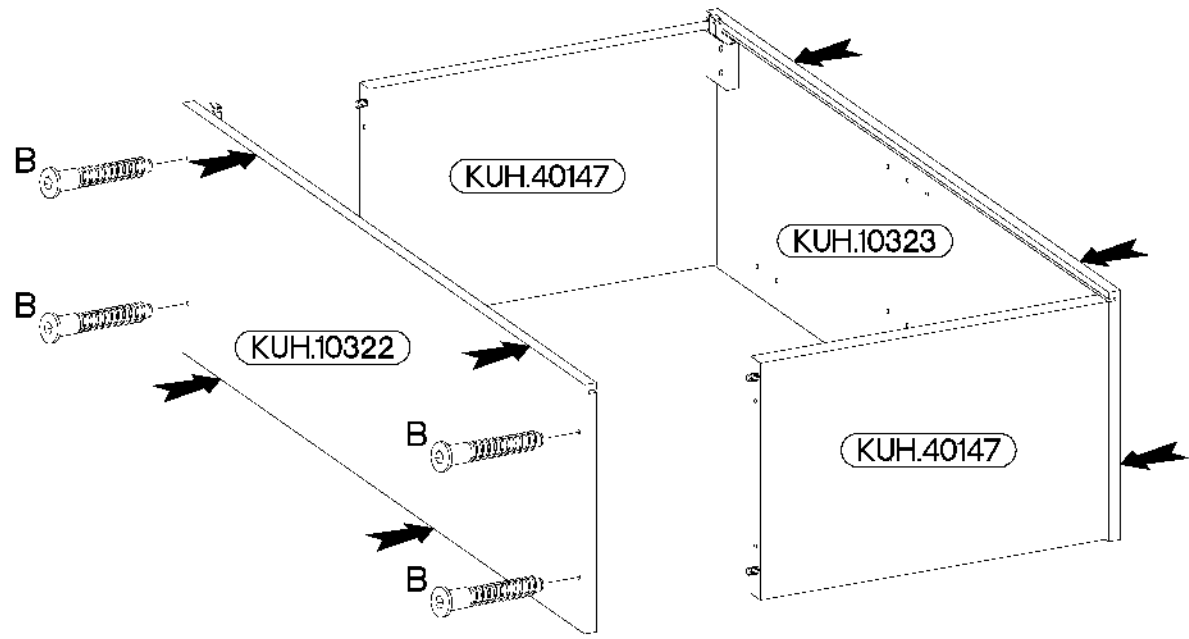


4

E1



3

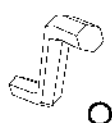


6,4 x 50mm



4

B



1

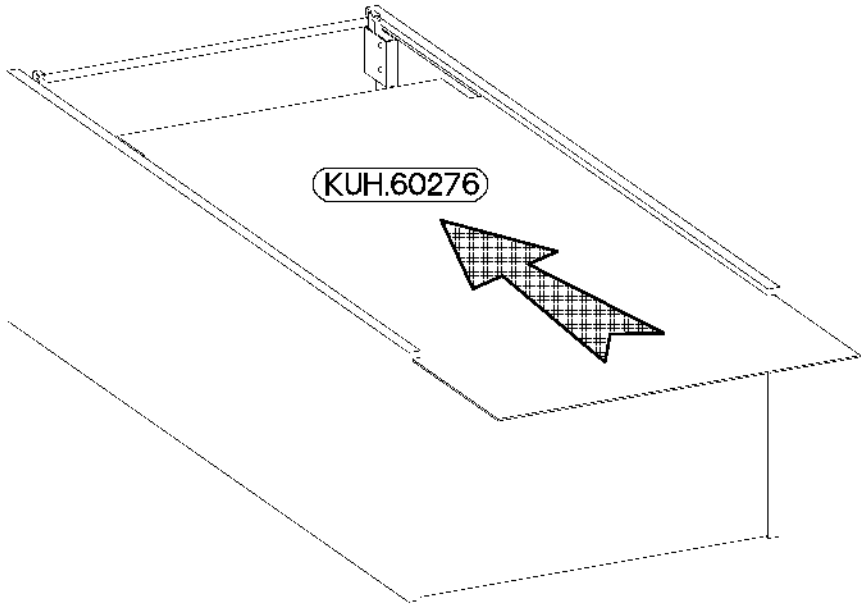
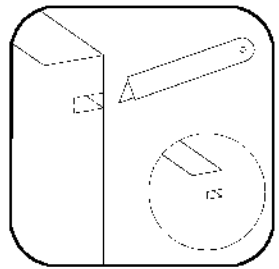
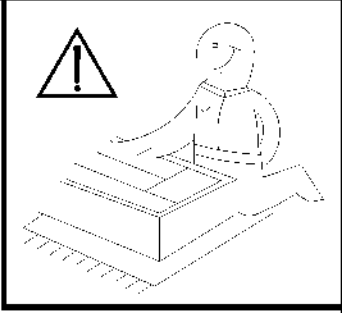
O



4

E1

4



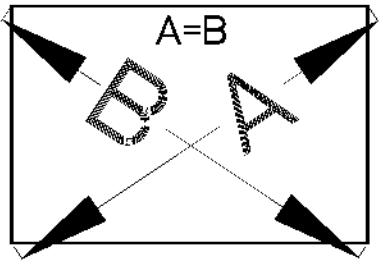
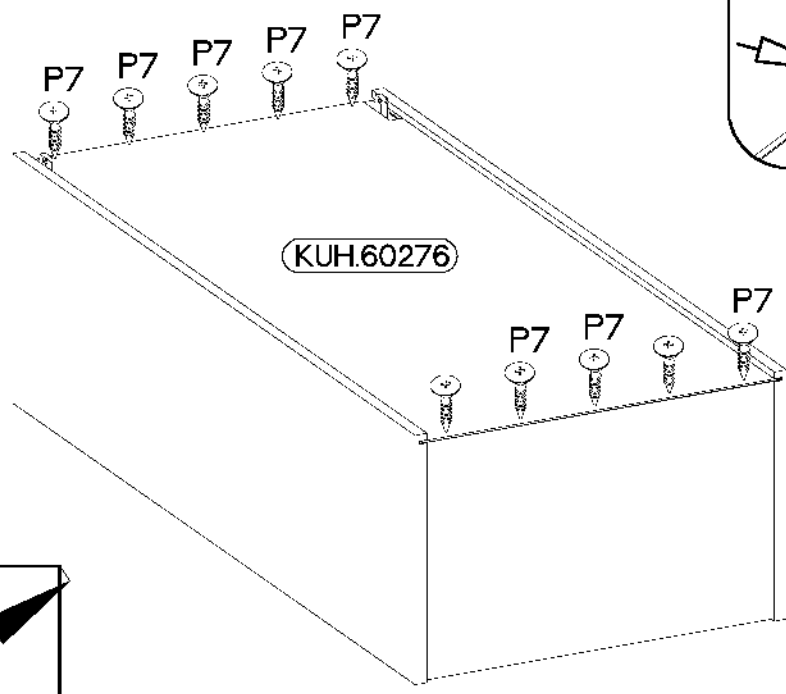
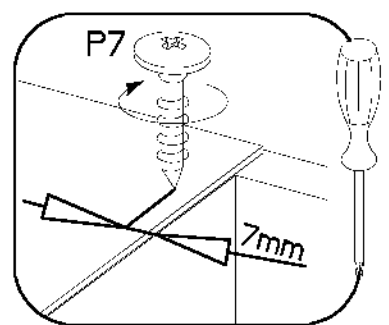
5

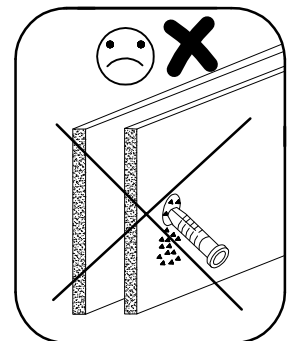
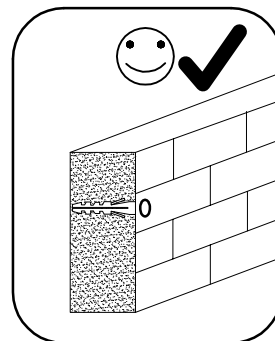
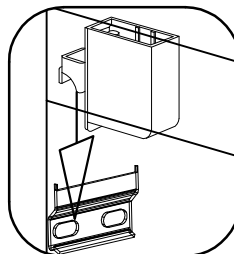
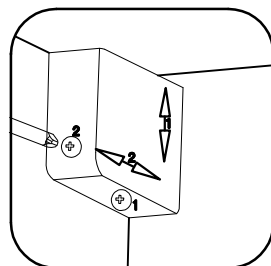
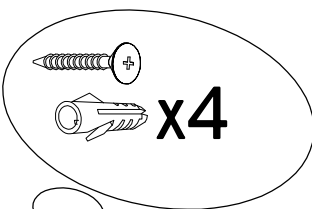
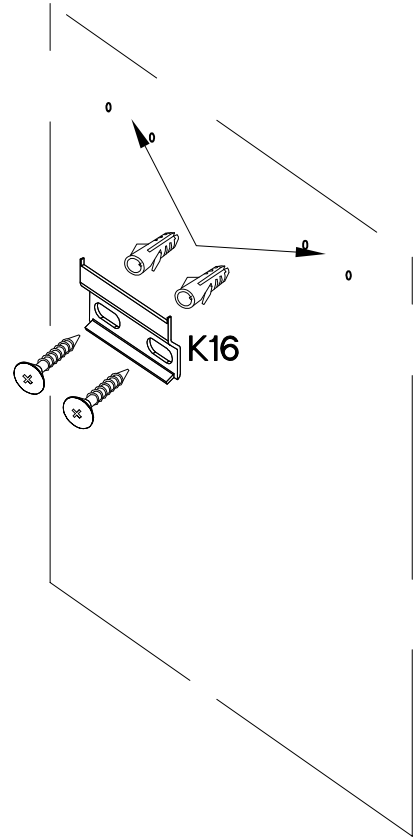
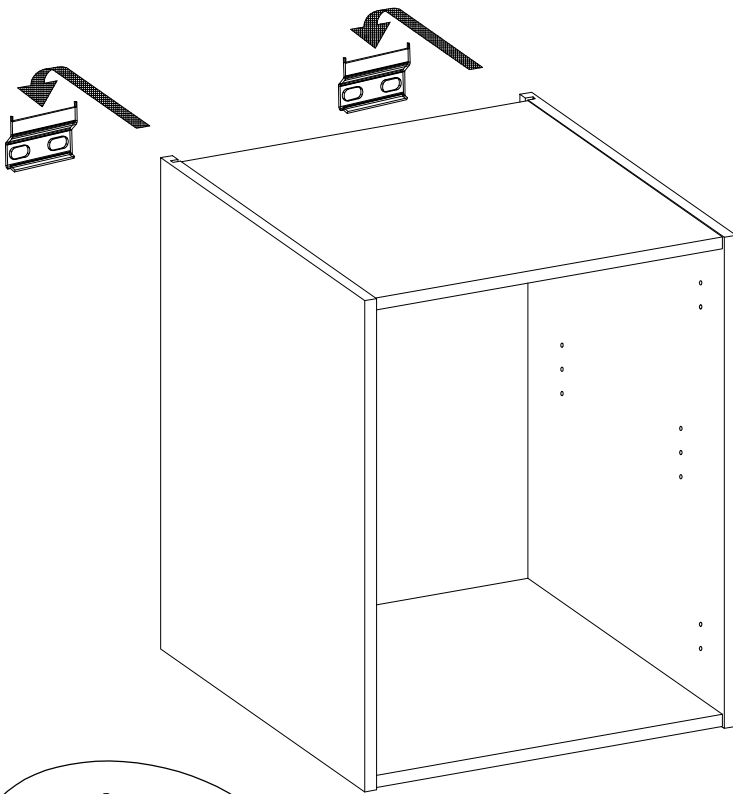
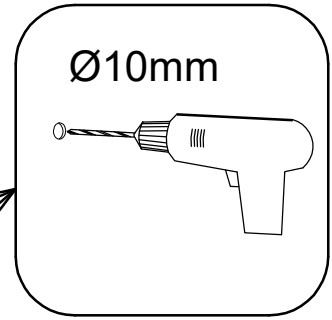
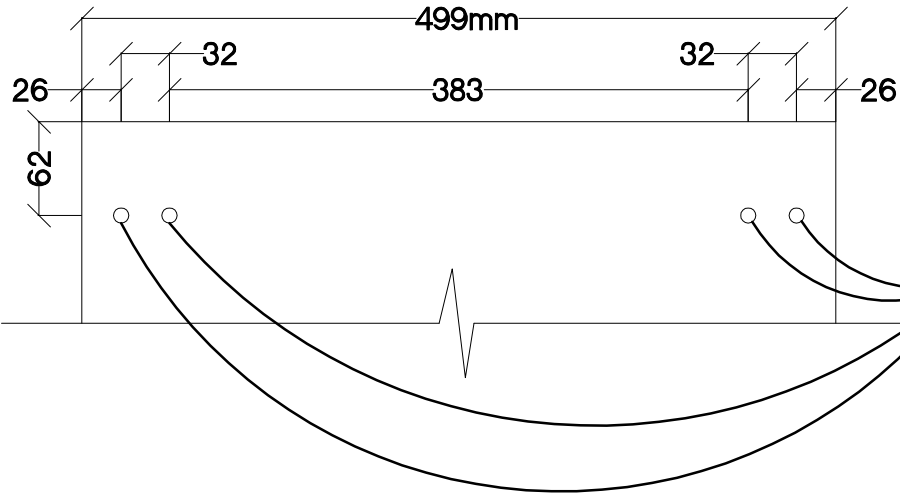
±3.0x20mm



P7

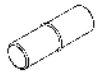
8-10





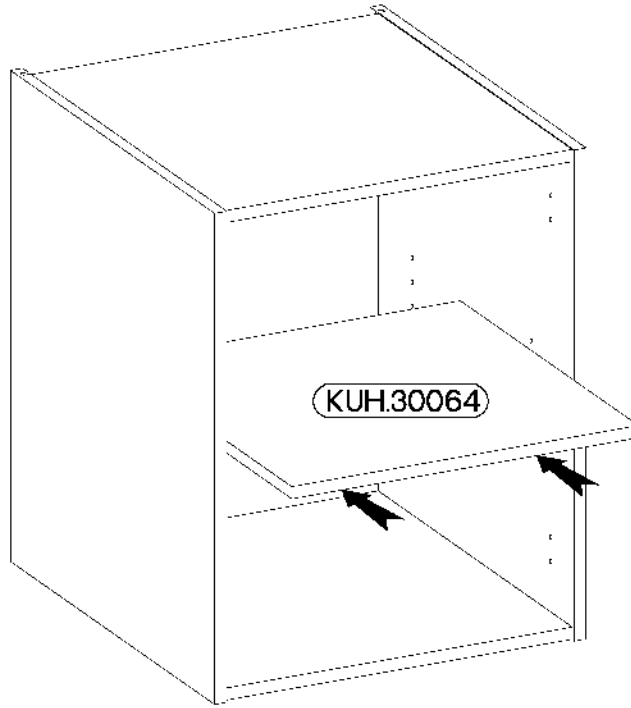
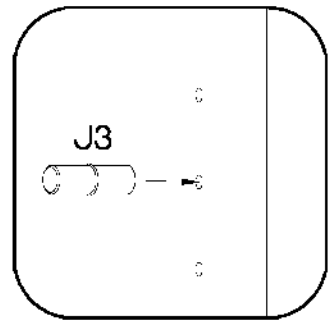


±5/16mm



J3

4



8

±35/0mm

±3.5x13mm



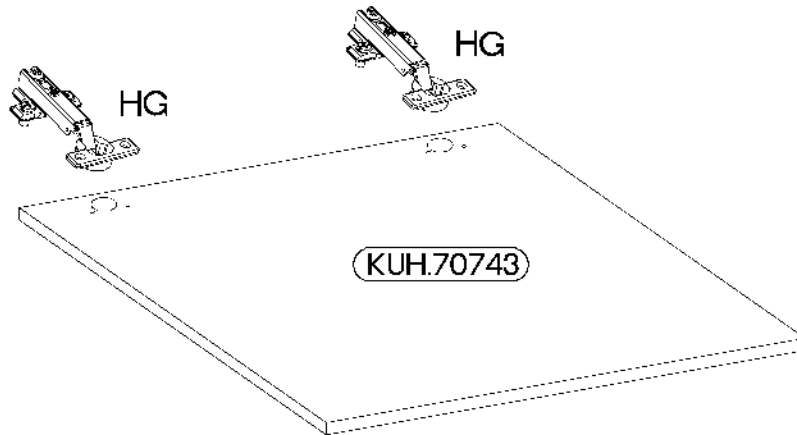
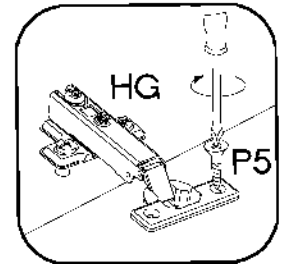
HG



2

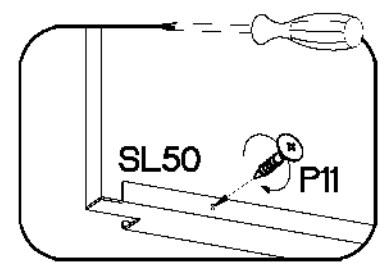
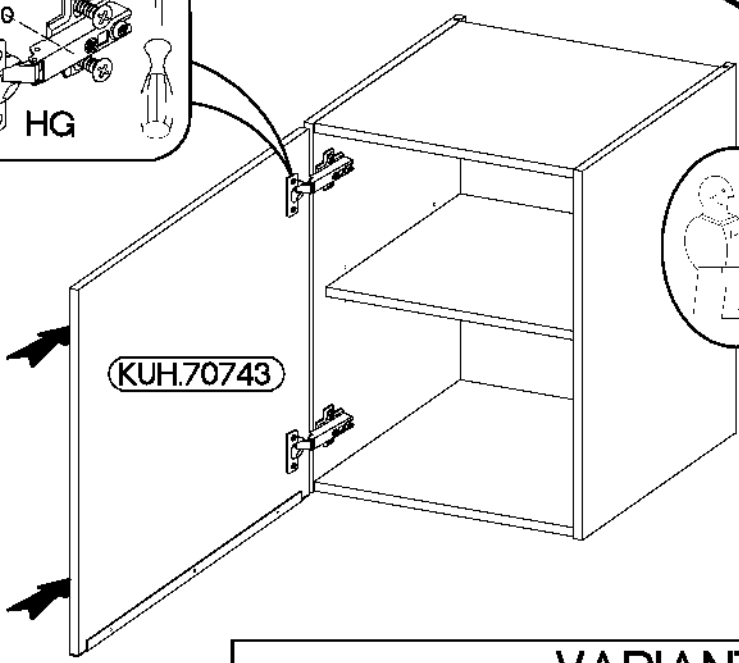
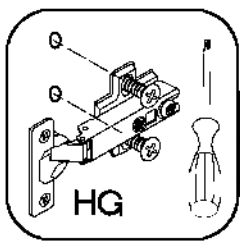
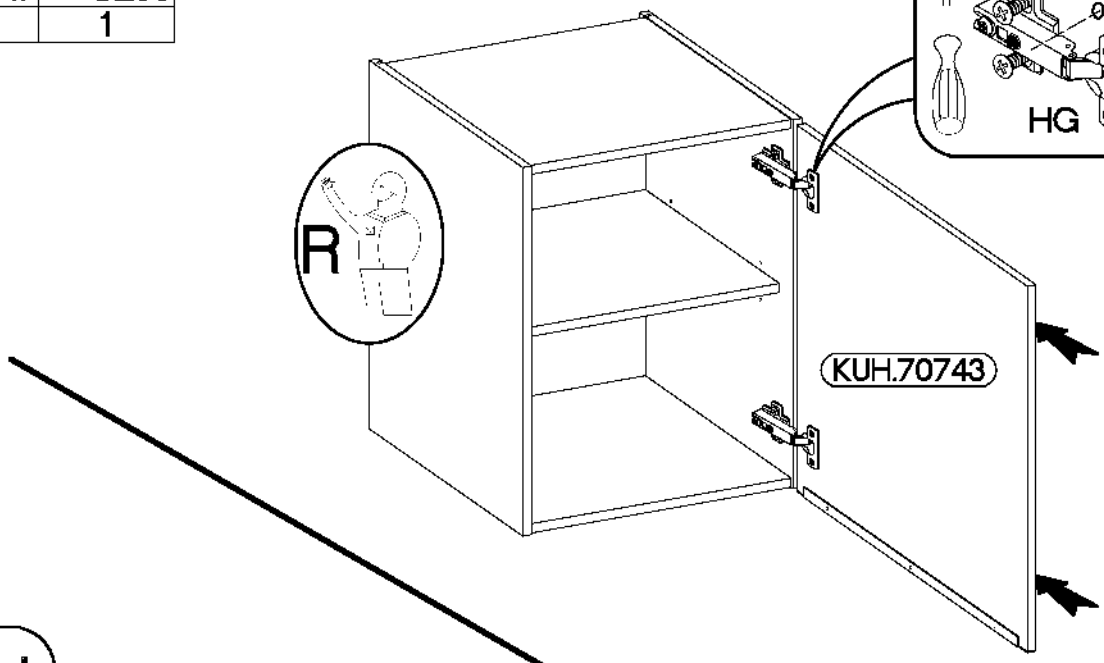
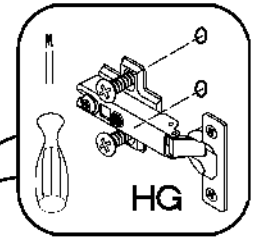


P5

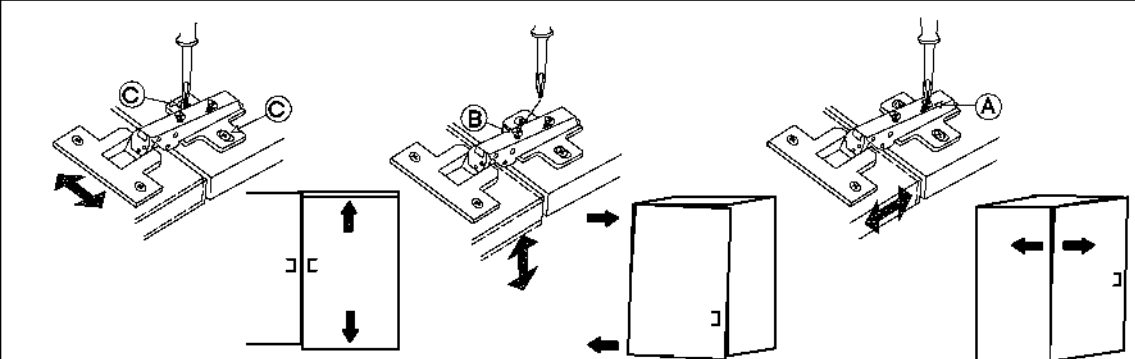
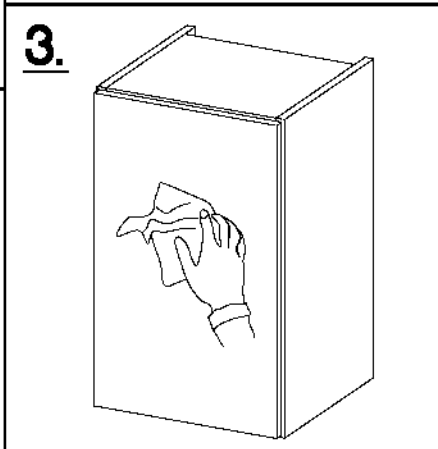
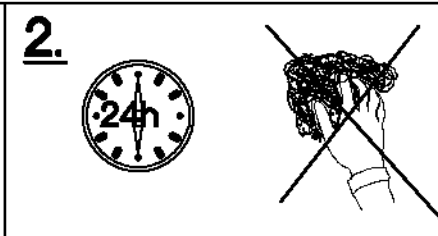
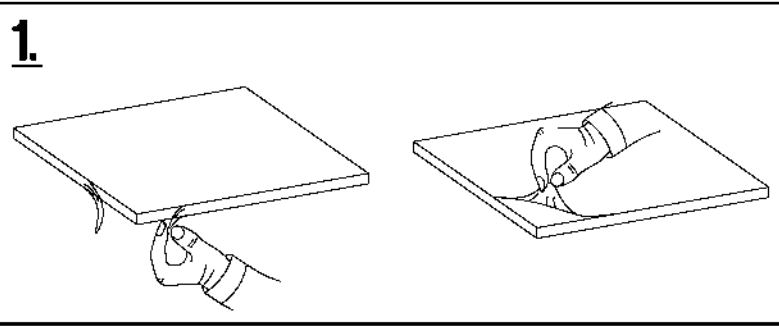
4

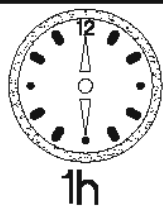
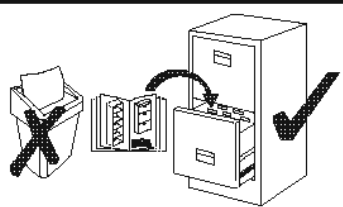
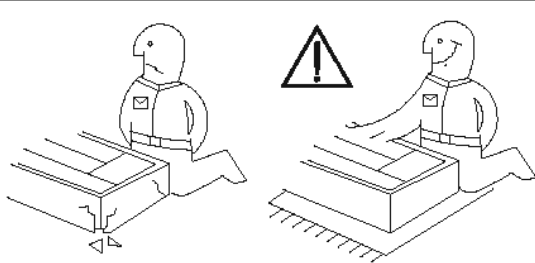
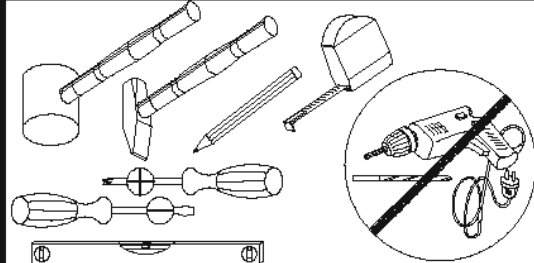
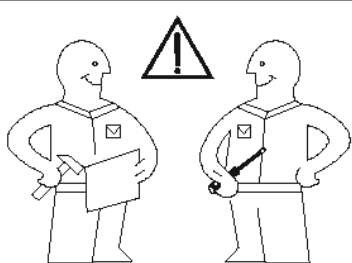


| | |
|--|---|
| ∅3.0x16mm | L=495mm |
|  P11 |  SL50 |
| 3 | 1 |



VARIANT HIGH GLOSS



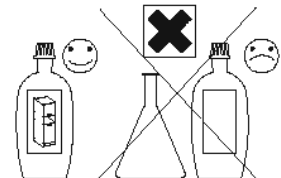


SAFADO / MARLEEN

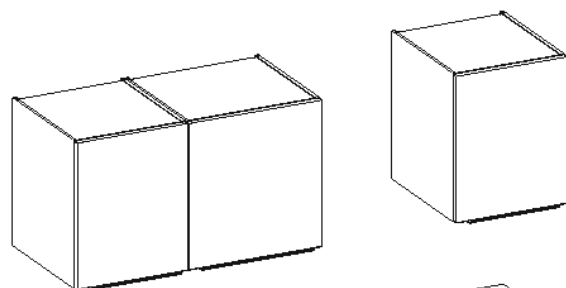
84-170-...

84-176-...

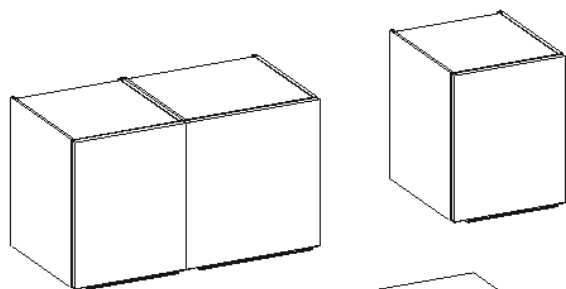
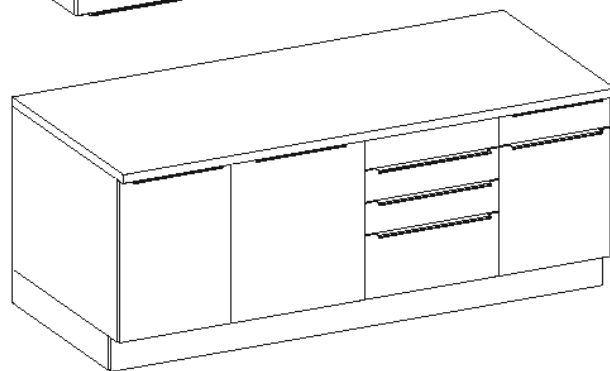
84-17F-...



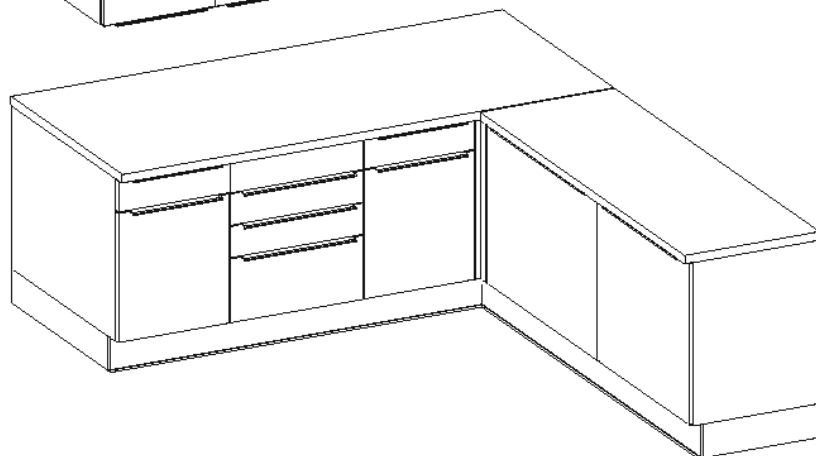
RESPEKTA®



VARIANT 1

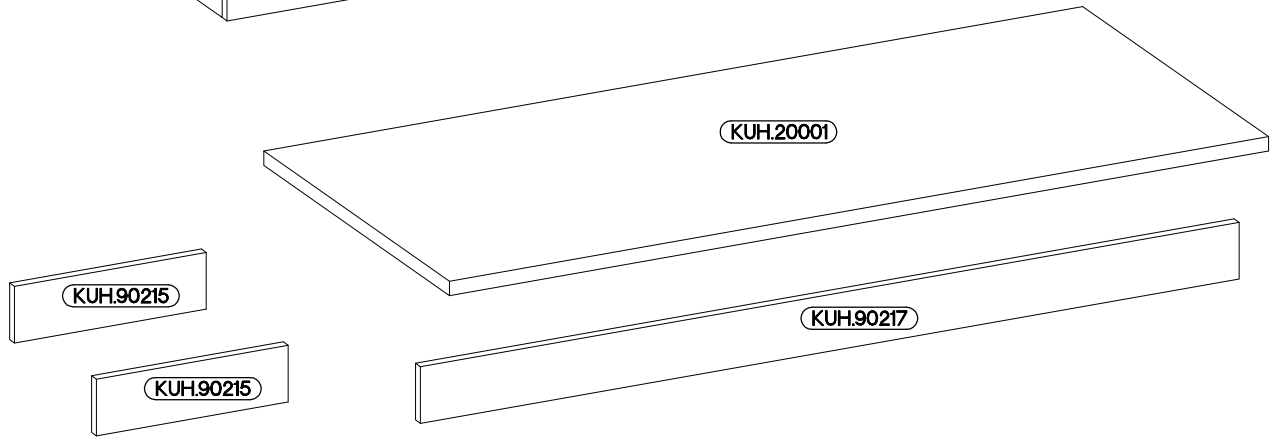
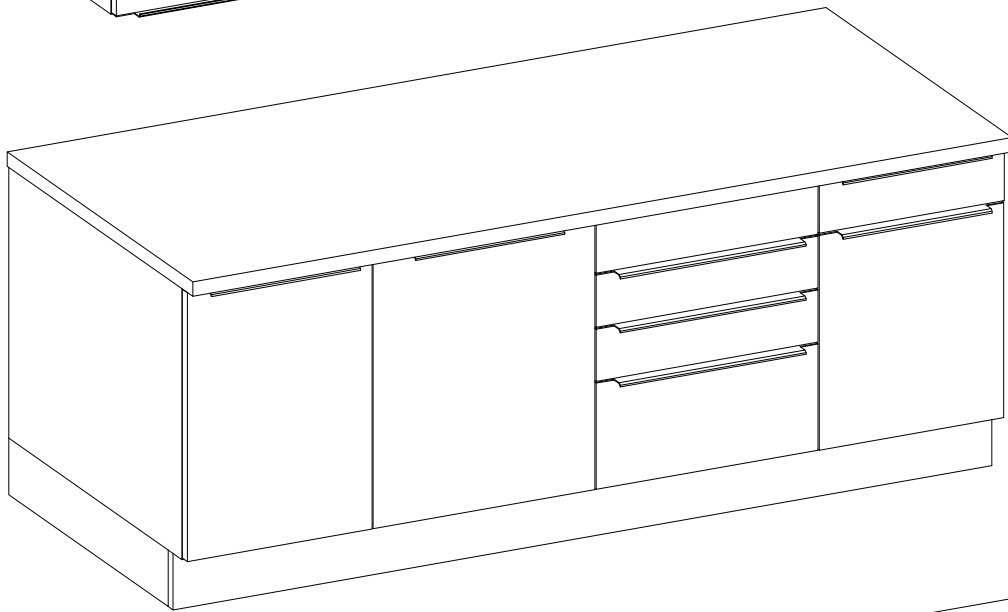
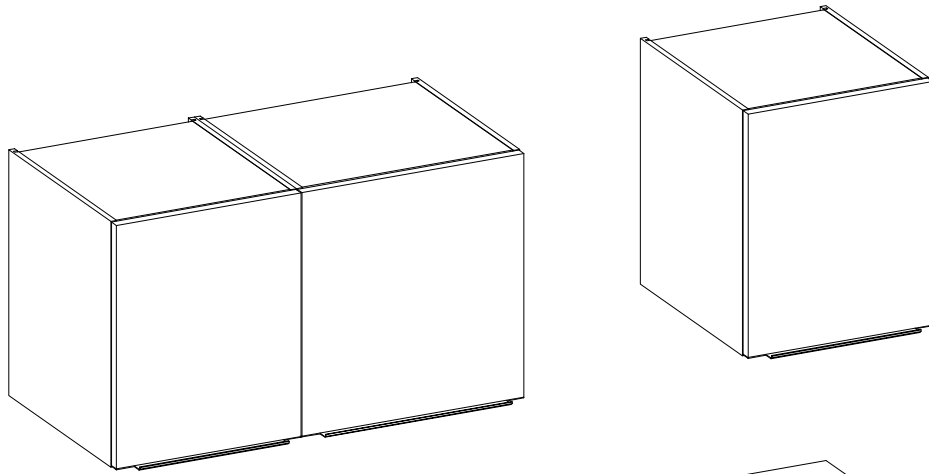


VARIANT 2



ISM-KUH-01597

VARIANT 1



| Colli | Spare Part | Dimension |
|--------------|--------------|-------------|
| Colli 6/6 | KUH.20001 | 2200x600x38 |
| | KUH.90215 x2 | 515x150x16 |
| | KUH.90217 | 2199x150x16 |

±3.5x13mm



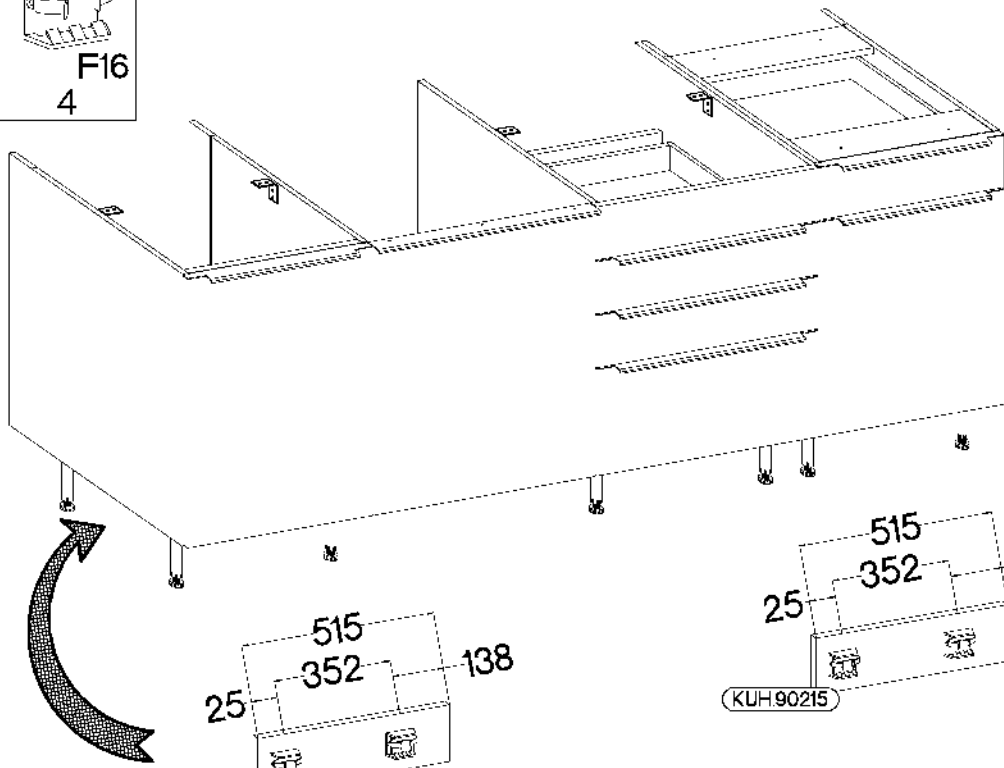
P5

8



F16

4

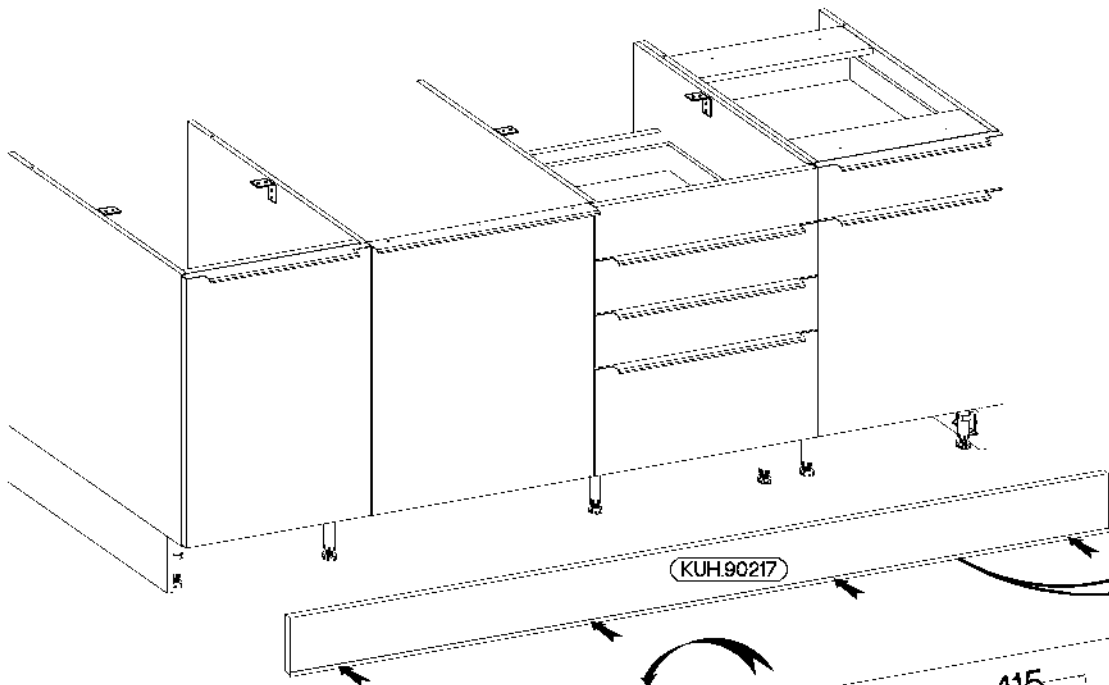


KUH.90215

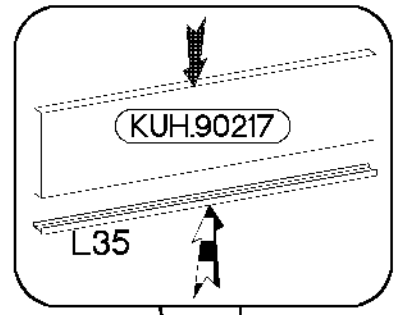
KUH.90215

2

1. F16
2. F16 P5
3. F16
4. F16

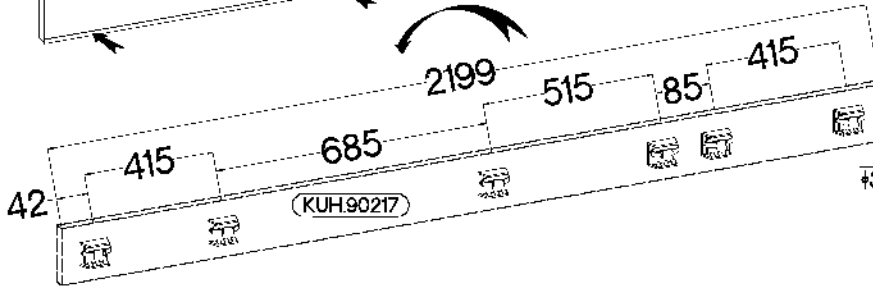


KUH.90217



KUH.90217

L35



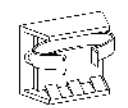
KUH.90217

±3.5x13mm



P5

12



F16

6



L=2200mm

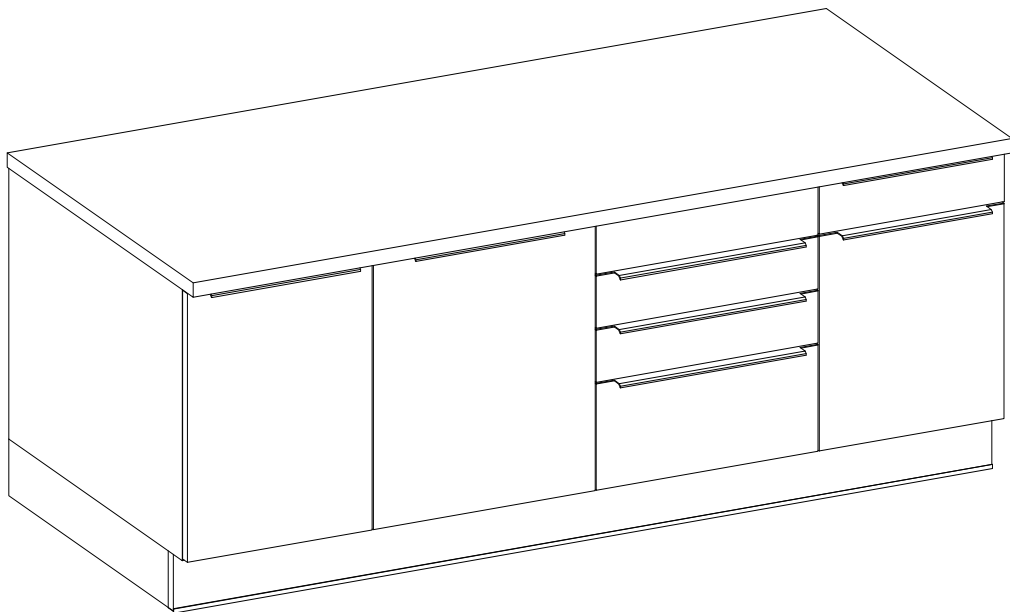
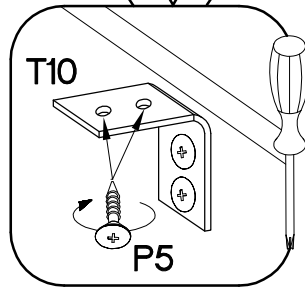
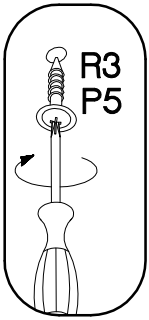
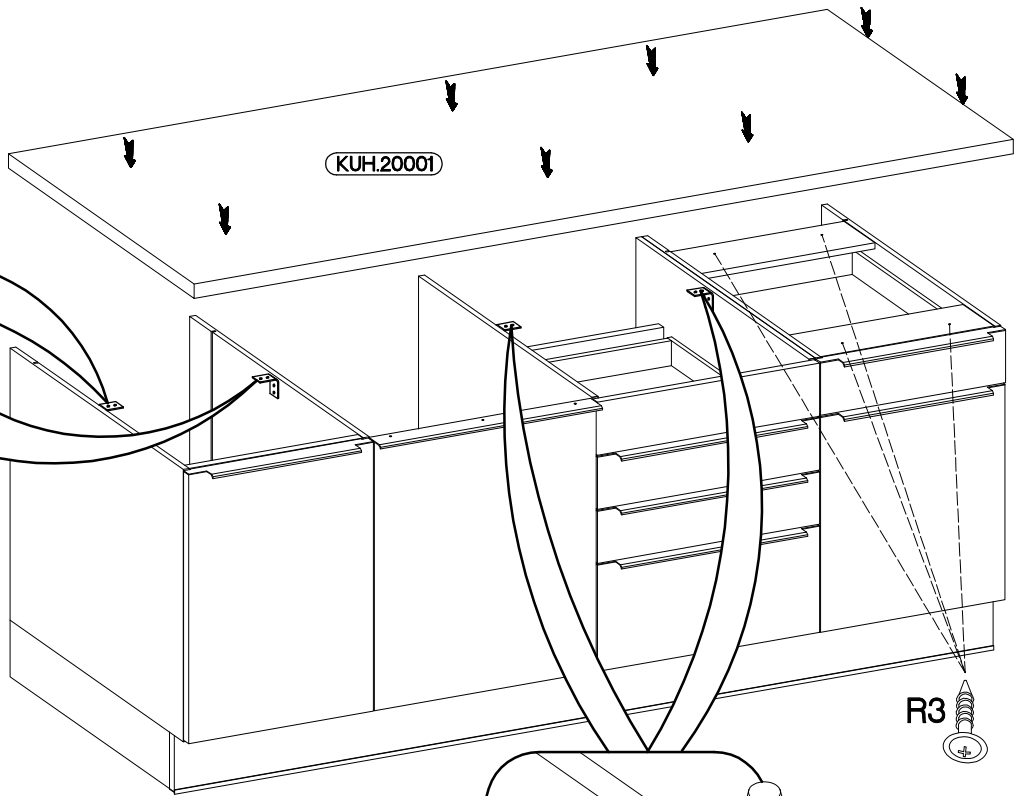
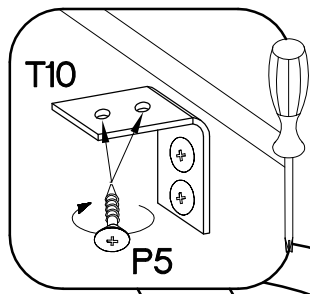





L35

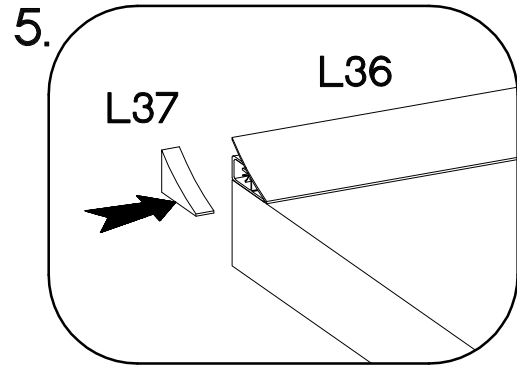
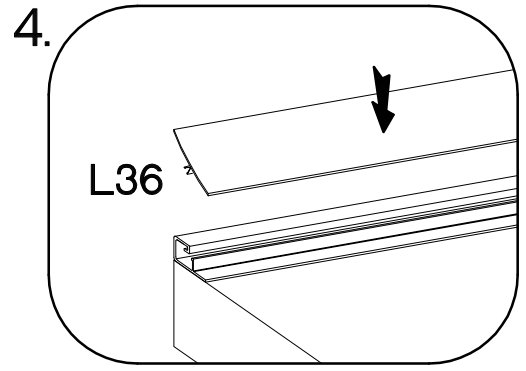
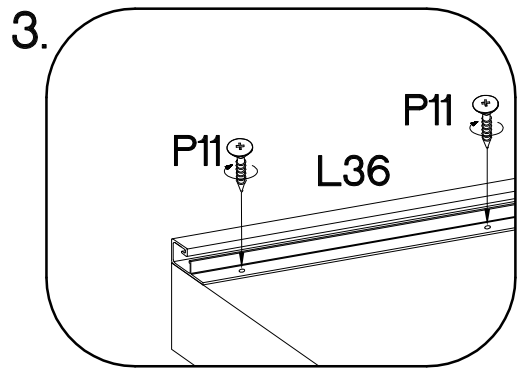
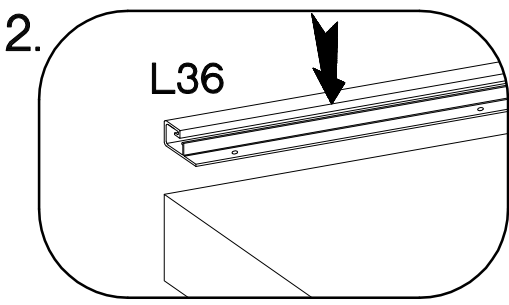
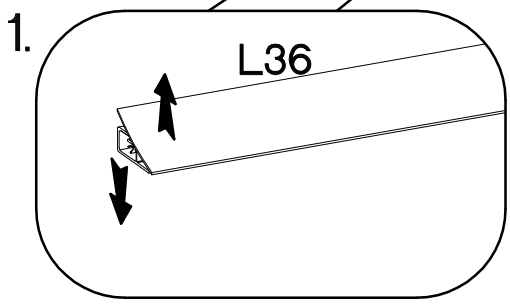
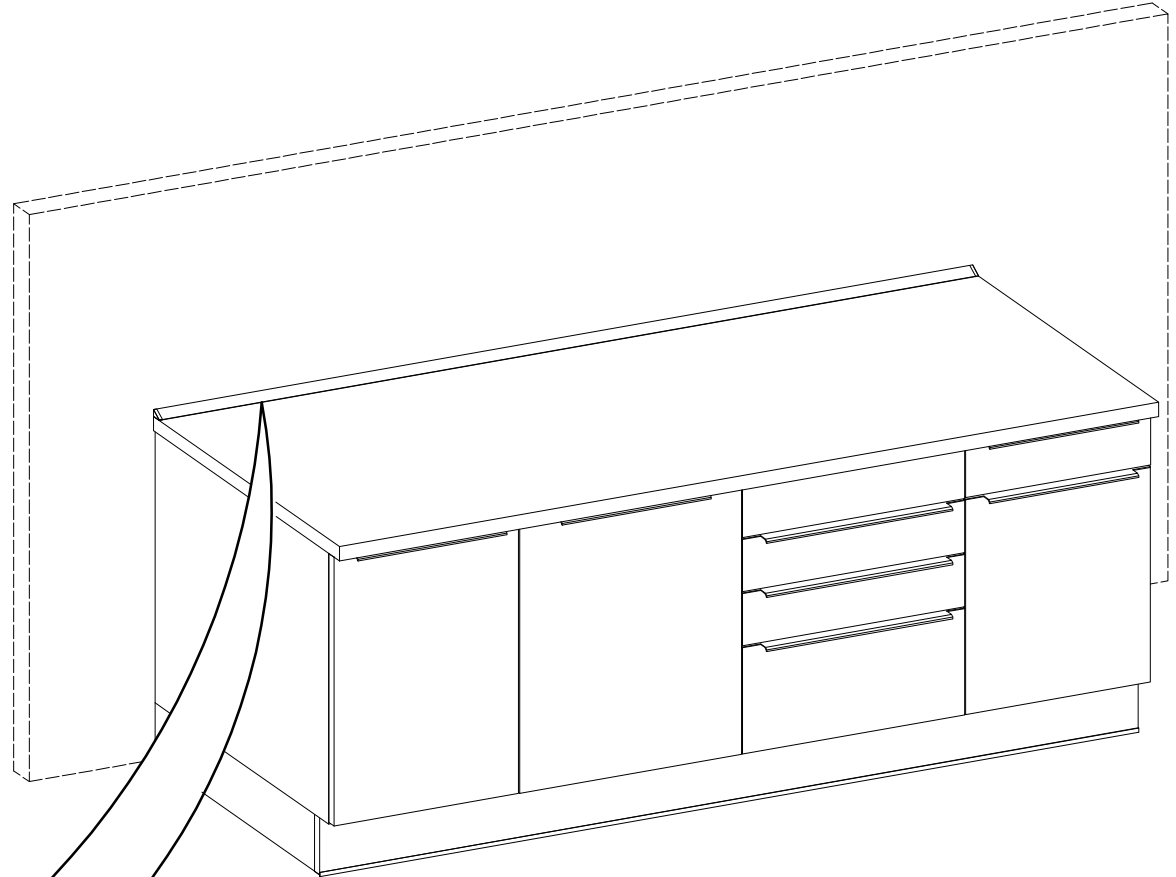
1

3

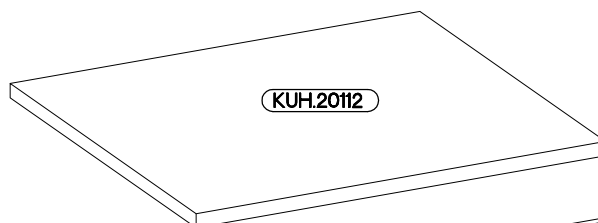
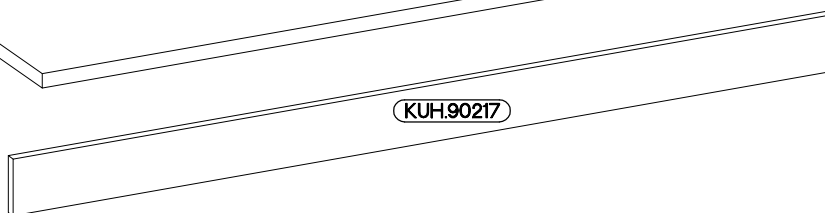
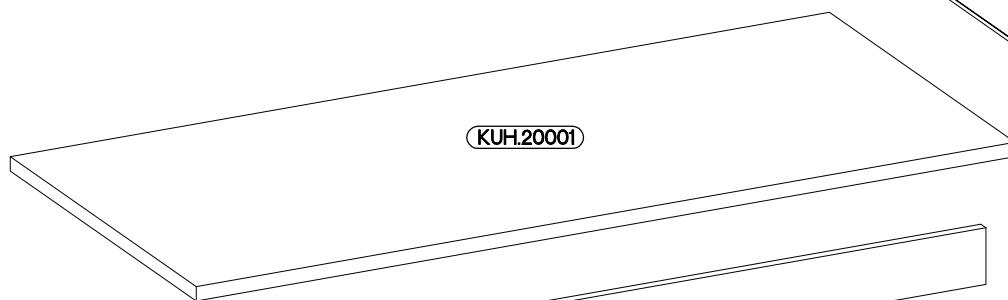
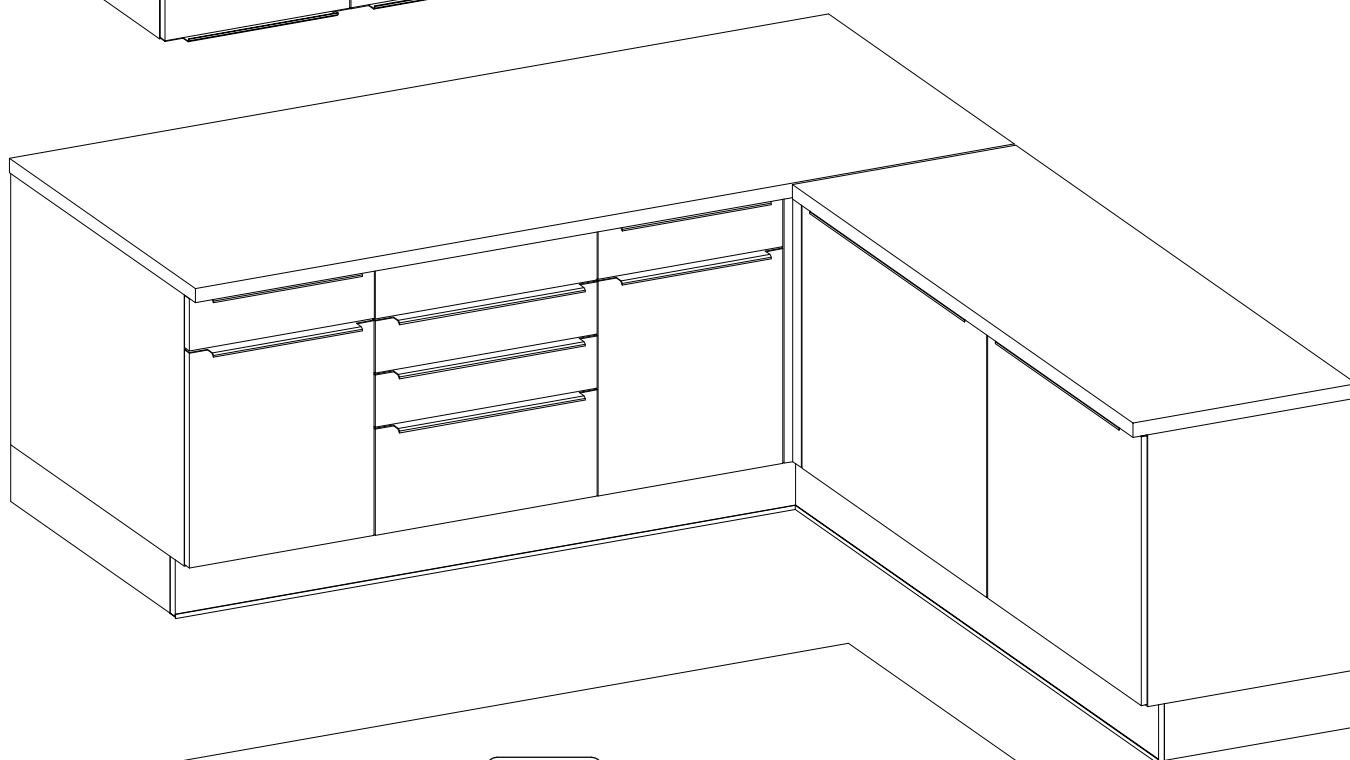
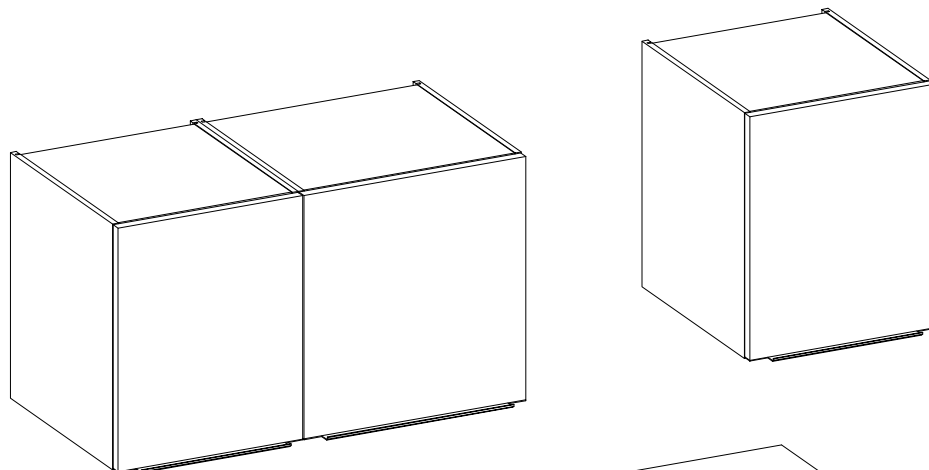
| | |
|--|--|
| 4.0x35mm | 3.5x13mm |
|  |  |
| R3 | P5 |
| 4 | 8 |



| | | |
|--|--|--|
| $\phi 3.0 \times 16 \text{mm}$  P11 8 | L=2200mm  L36 1 |  L37 2 |
|--|--|--|

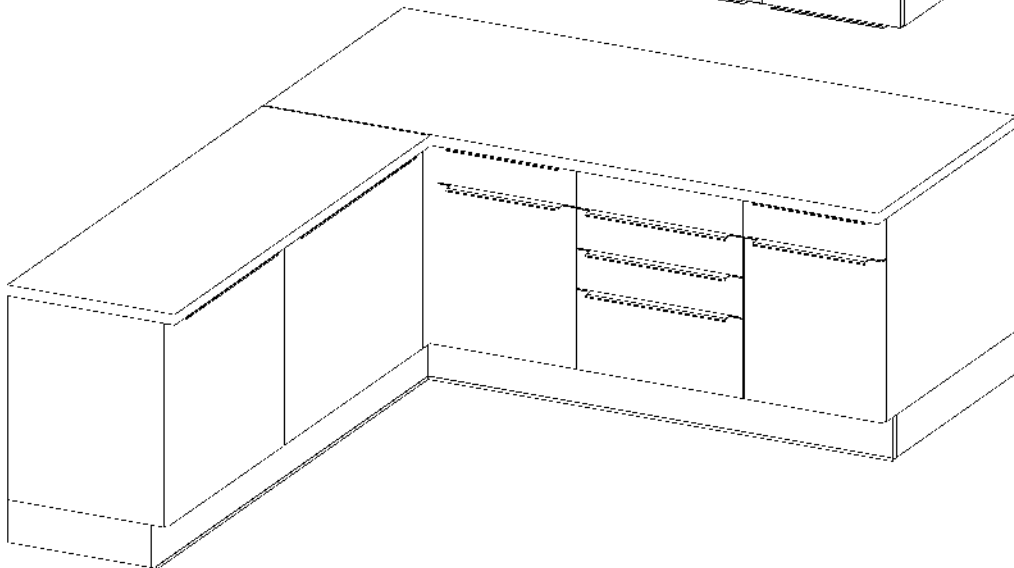
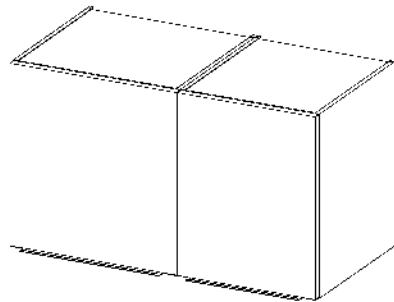
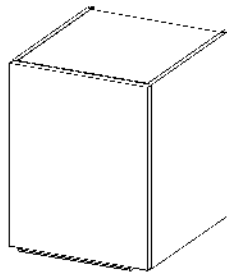
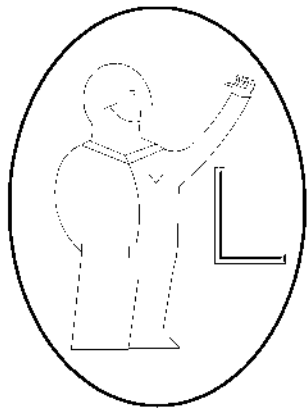
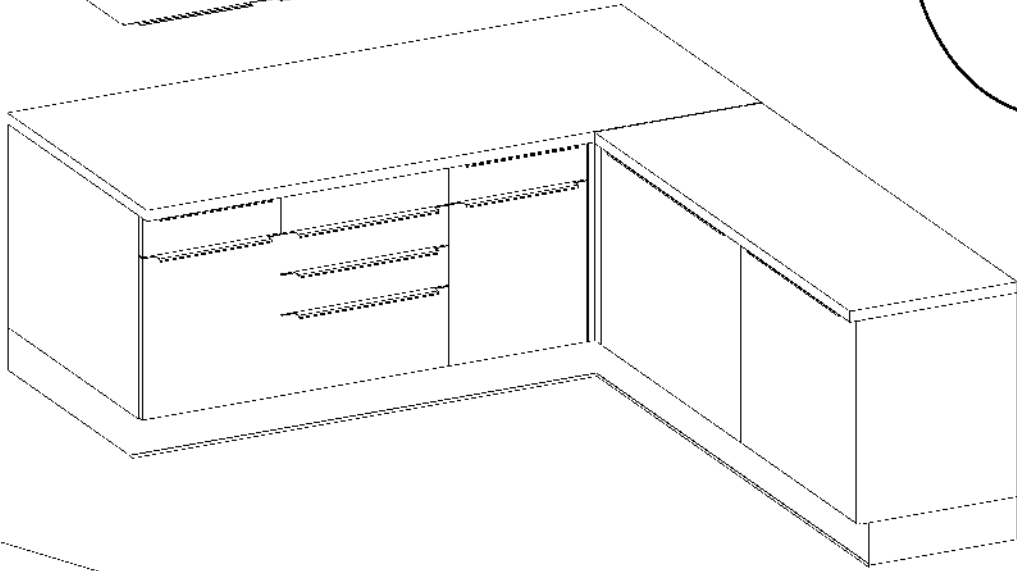
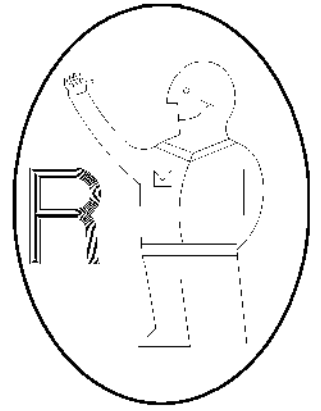
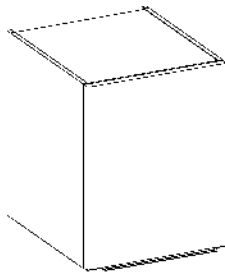
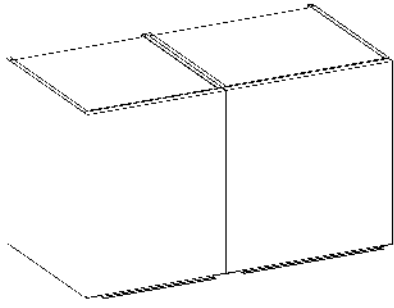


VARIANT 2



| Colli | Spare Part | Dimension |
|--------------|------------|-------------|
| Colli 2/2 | KUH.20112 | 1100x600x38 |
| | KUH.90258 | 1172x150x16 |

| Colli | Spare Part | Dimension |
|--------------|--------------|-------------|
| Colli 6/6 | KUH.20001 | 2200x600x38 |
| | KUH.90215 x2 | 515x150x16 |
| | KUH.90217 | 2199x150x16 |

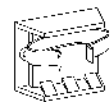


±3.5x13mm



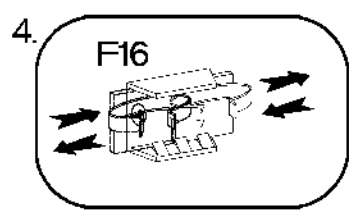
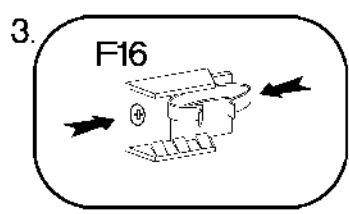
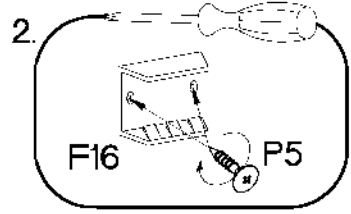
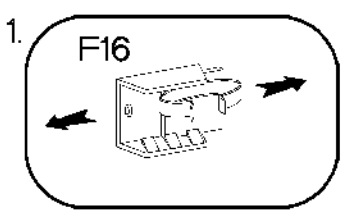
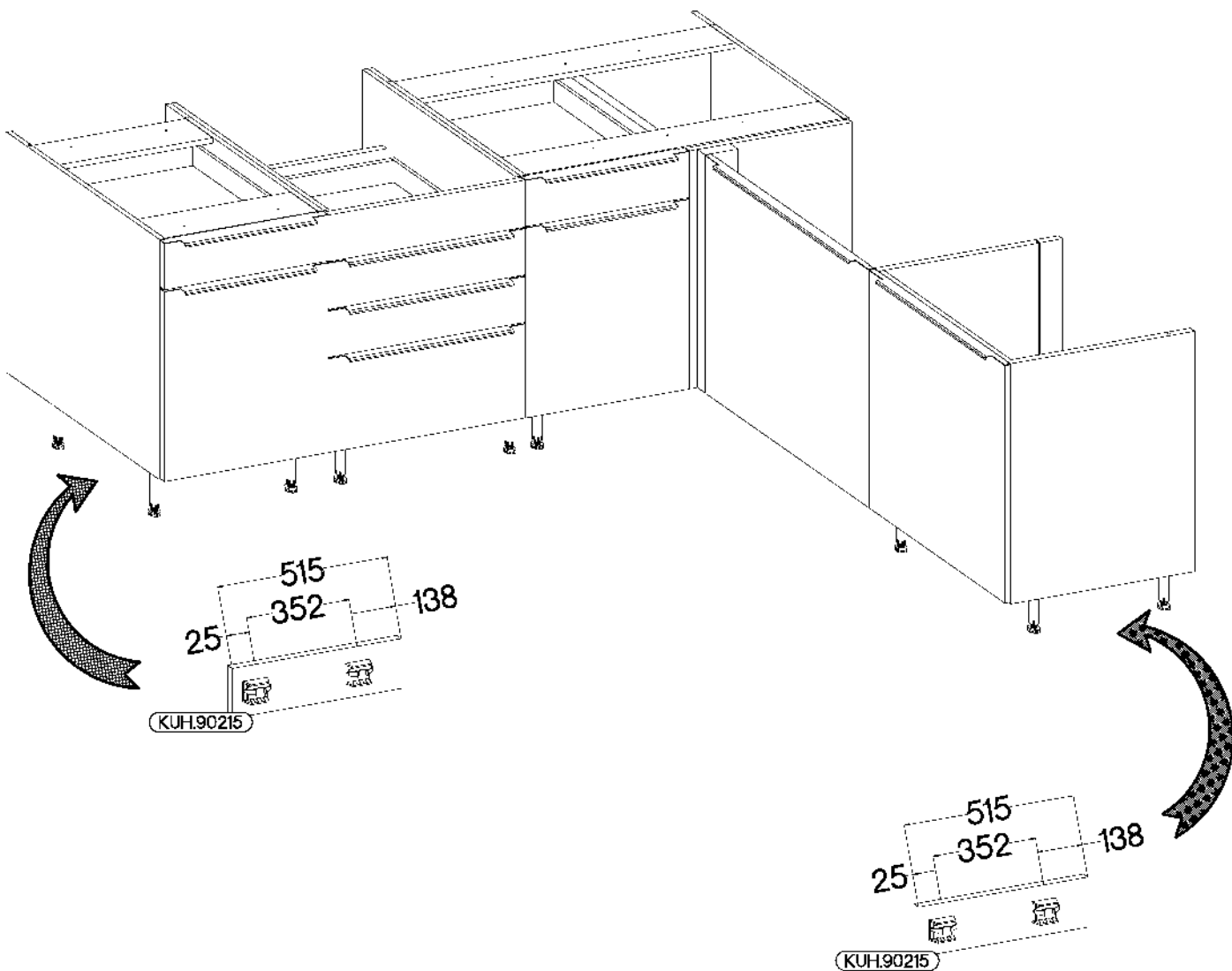
P5

8



F16

4



3.5x13mm

L=2200mm



P5

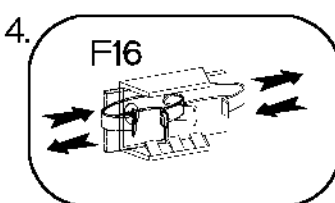
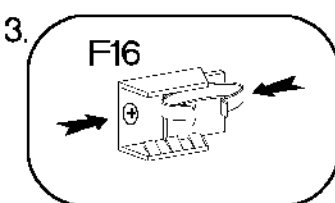
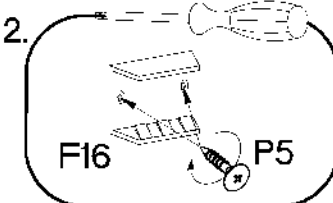
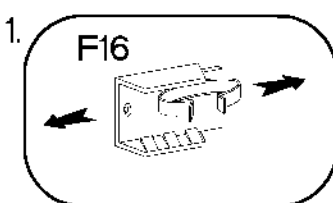
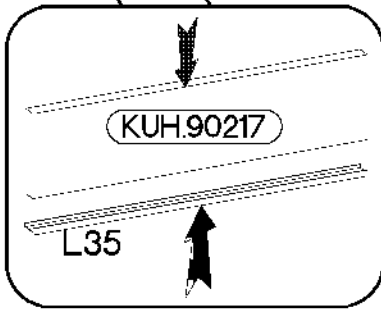
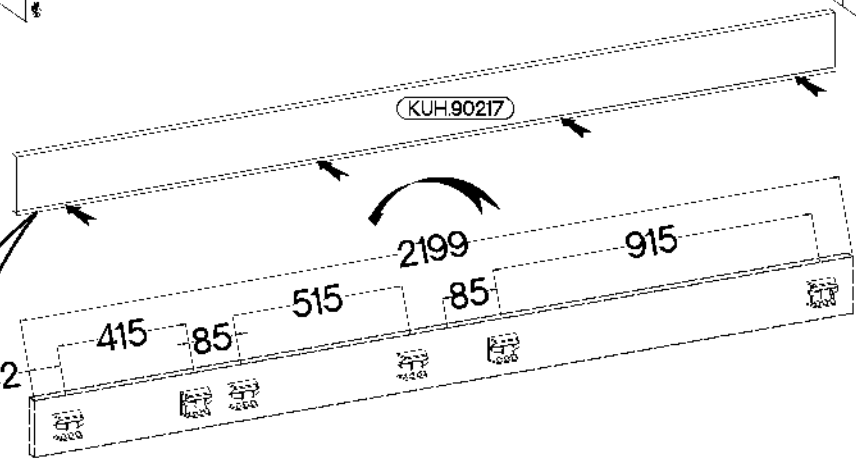
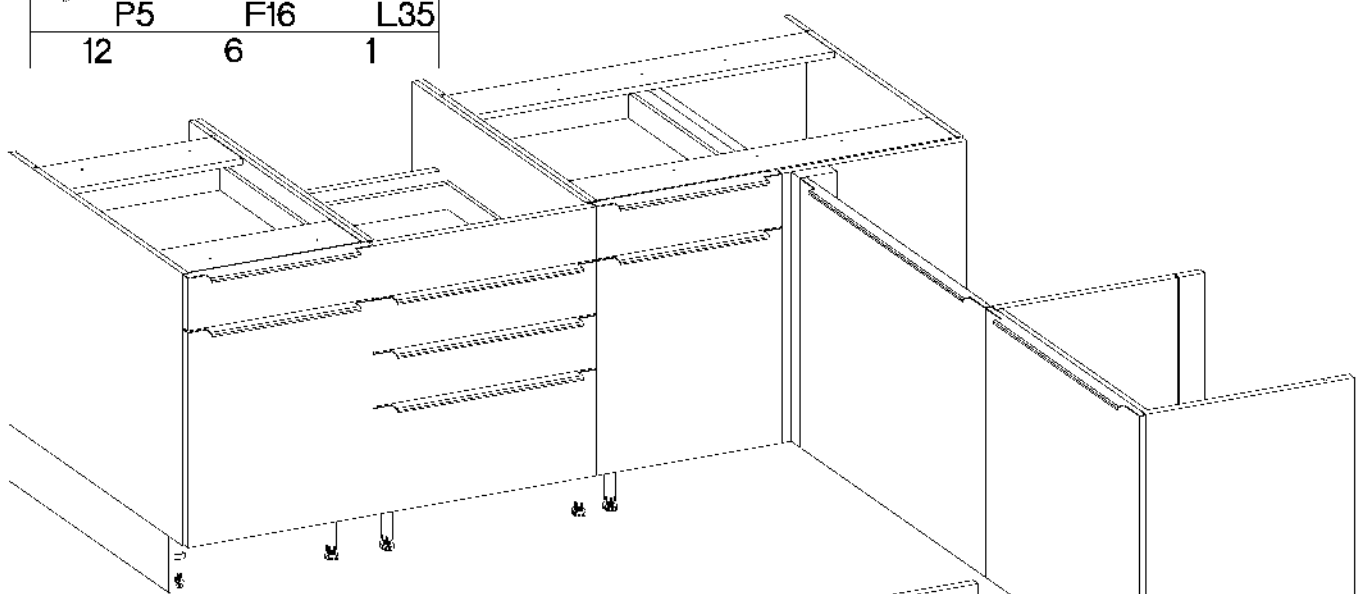
F16

L35

12

6

1



7

±3.5x13mm

L=1172mm



P5

4



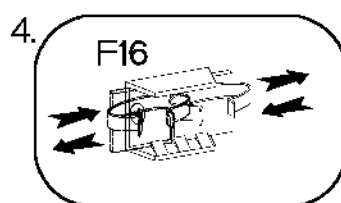
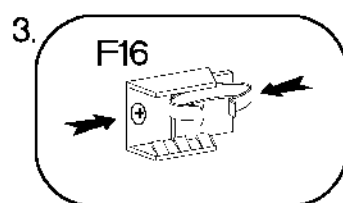
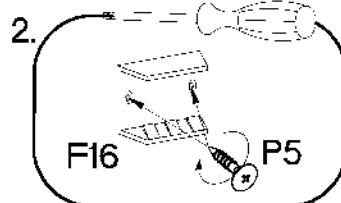
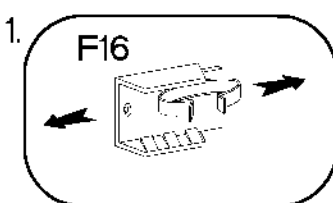
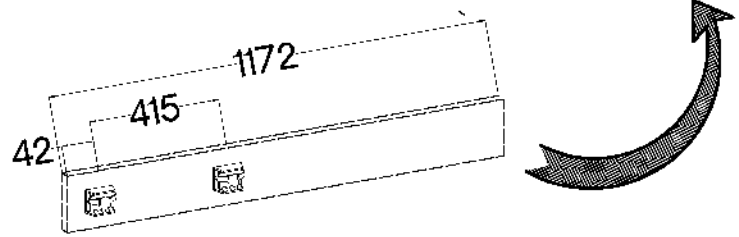
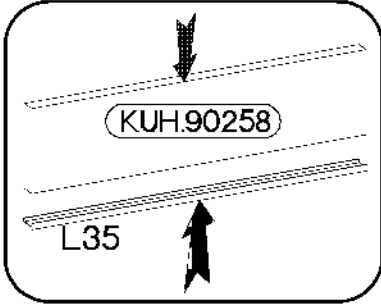
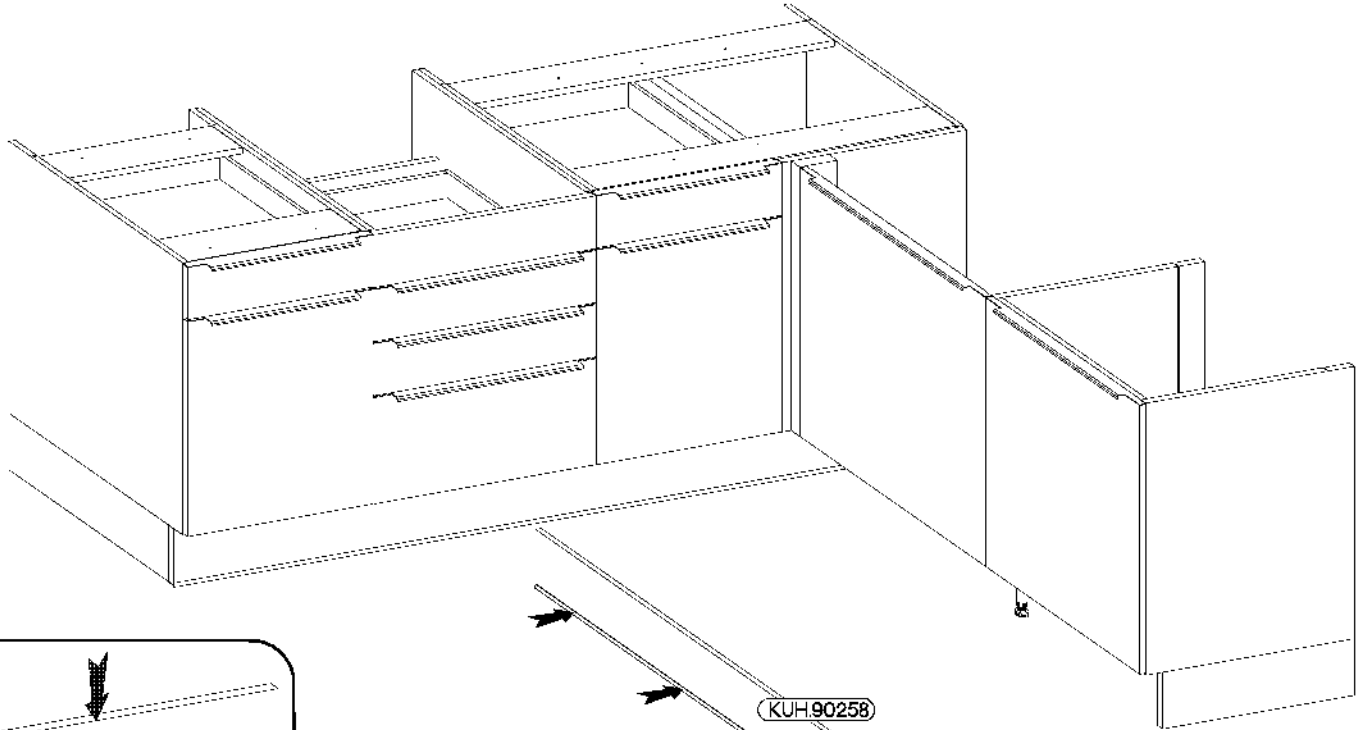
F16



2

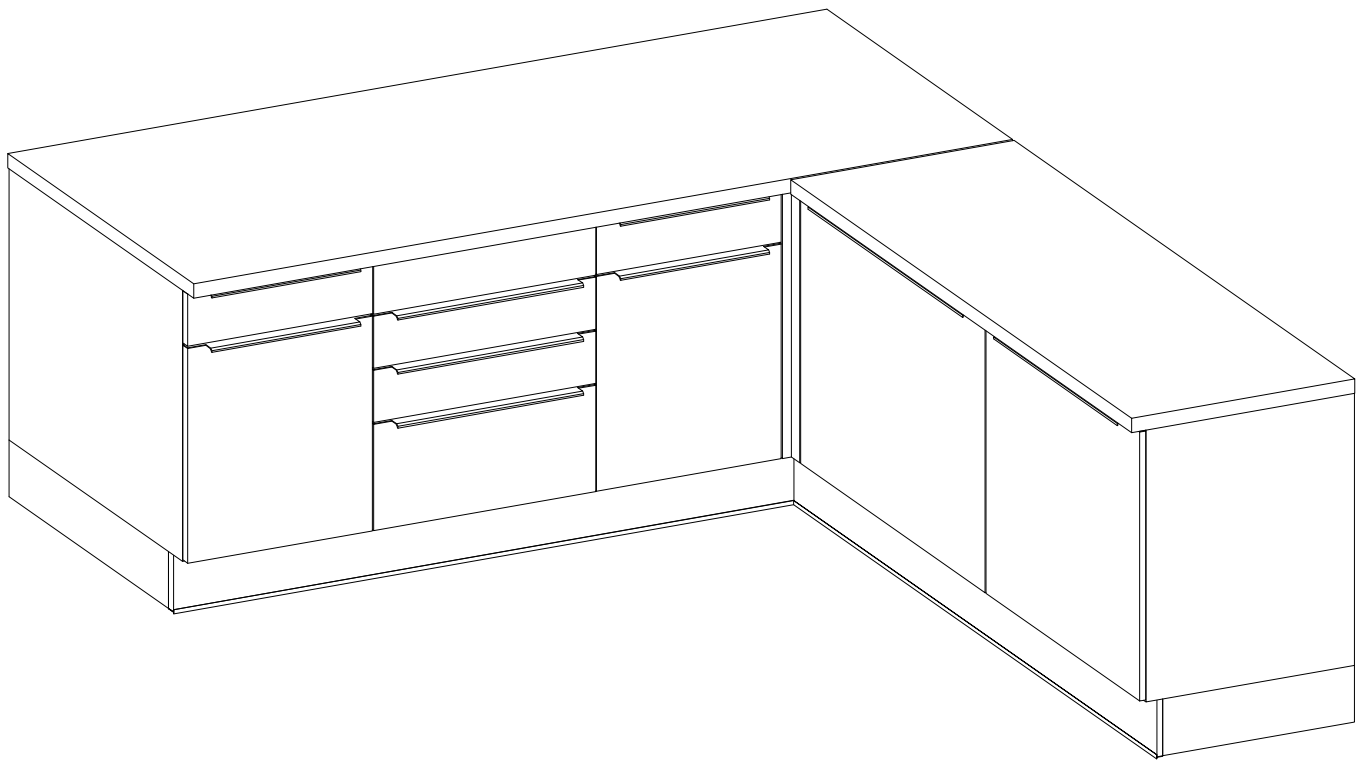
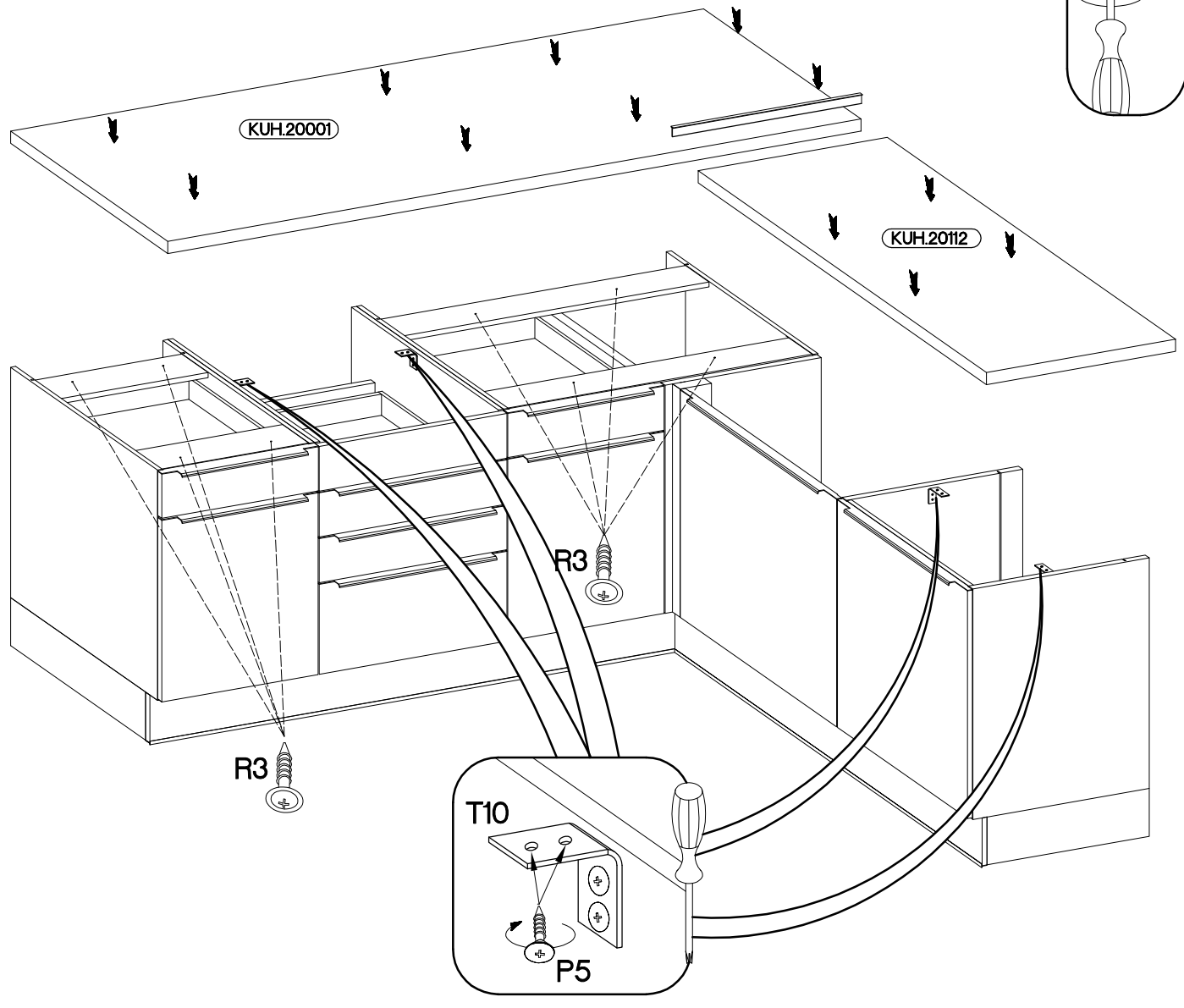
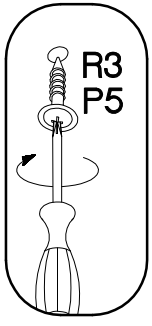


L35

1




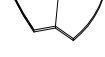


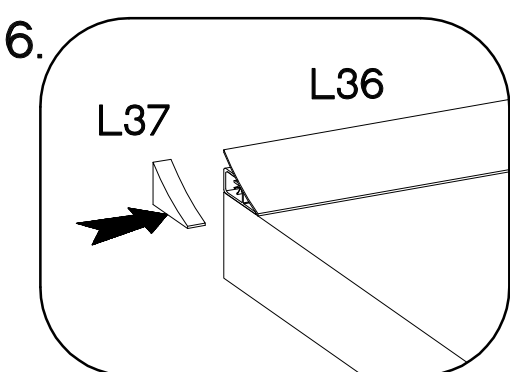
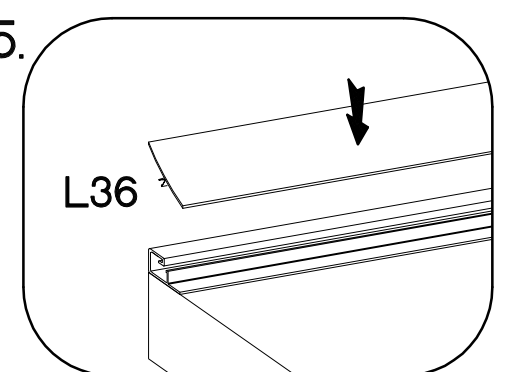
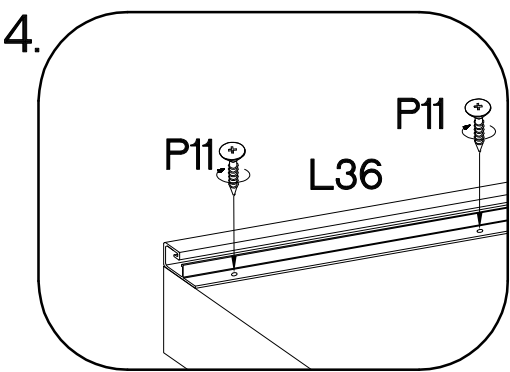
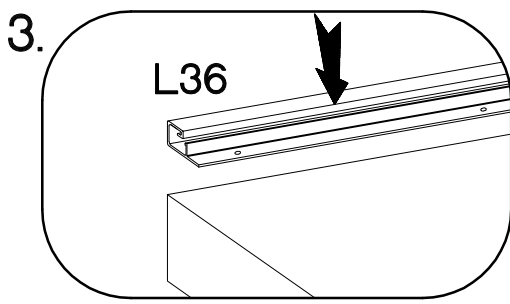
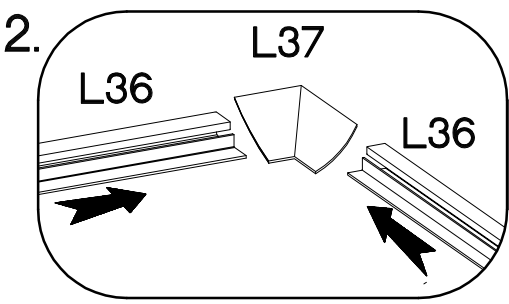
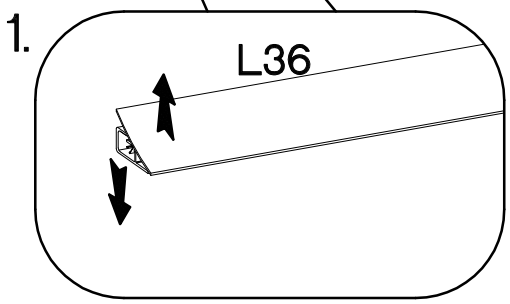
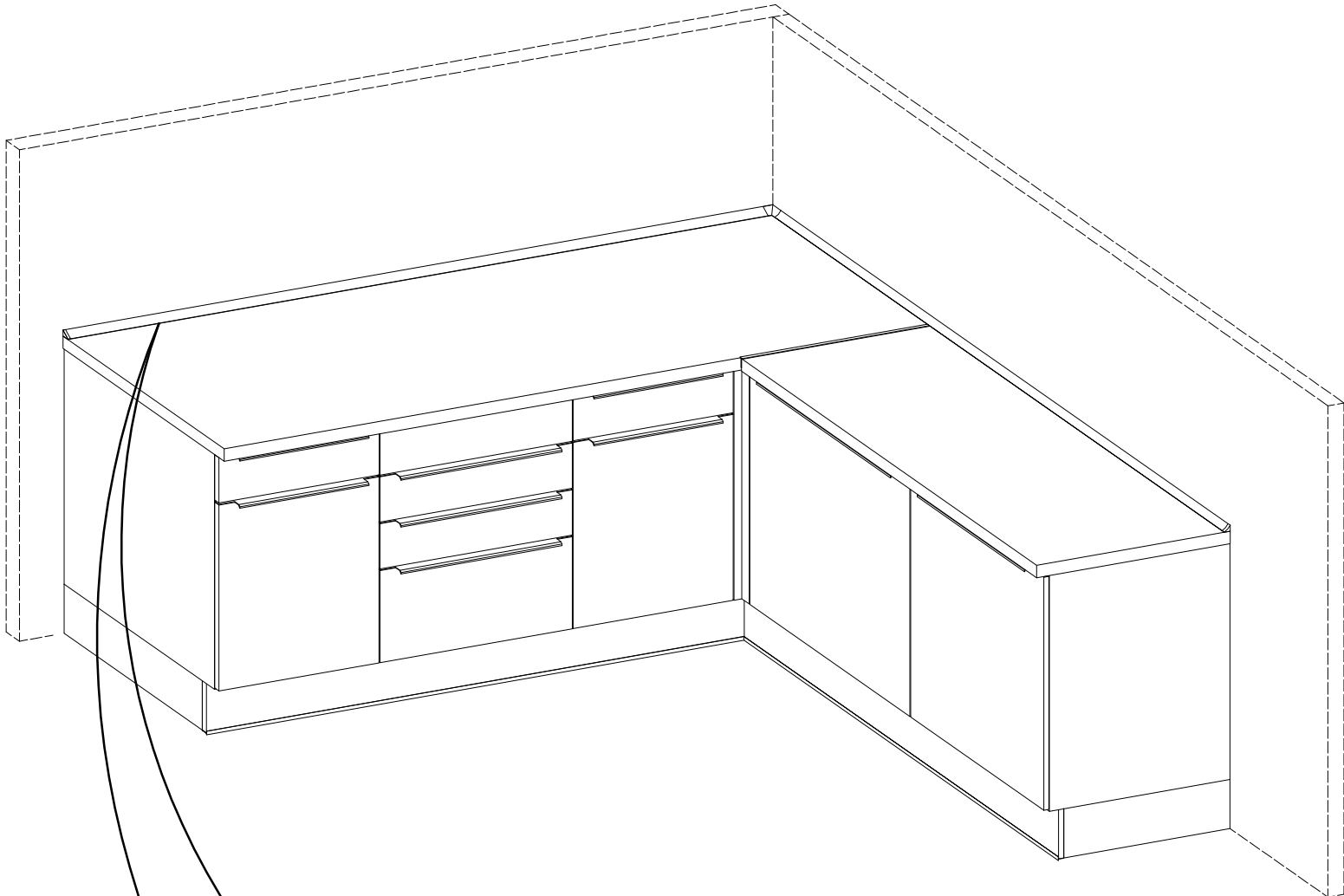
| | |
|--|--|
| 4.0x35mm | 3.5x13mm |
|  |  |
| R3 | P5 |
| 8 | 8 |



φ3.0x16mm

L=2200mm

| | | | |
|--|--|--|--|
|  |  |  |  |
| P11 | L36 | L37 | L38 |
| 14 | 2 | 2 | 1 |



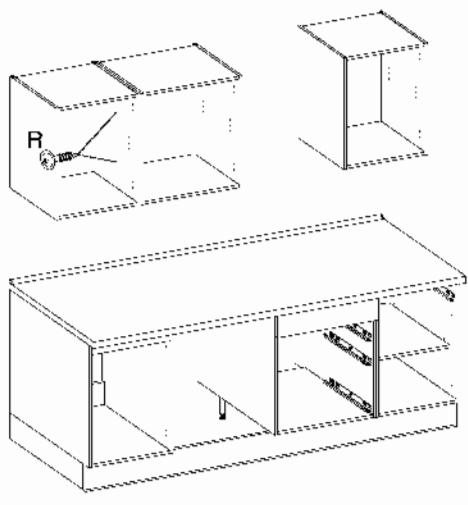
10

4.0x25mm



2

V 1

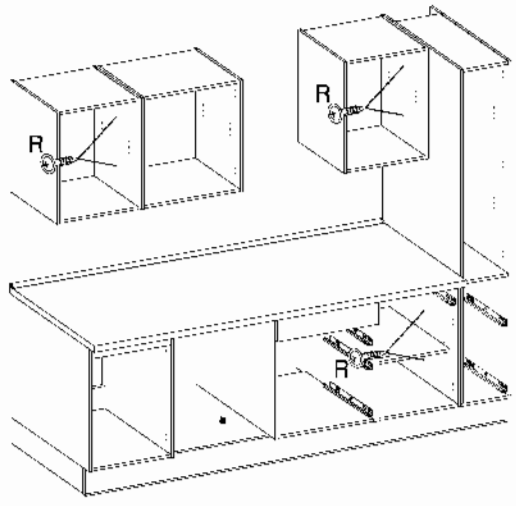


4.0x25mm



6

V 2

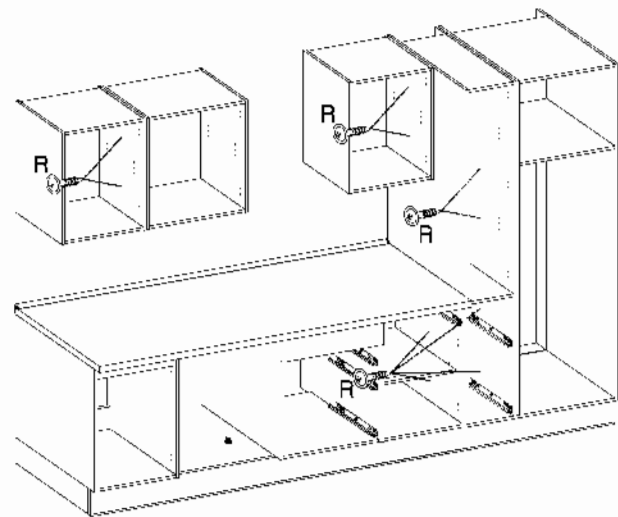


4.0x25mm



10

V 3

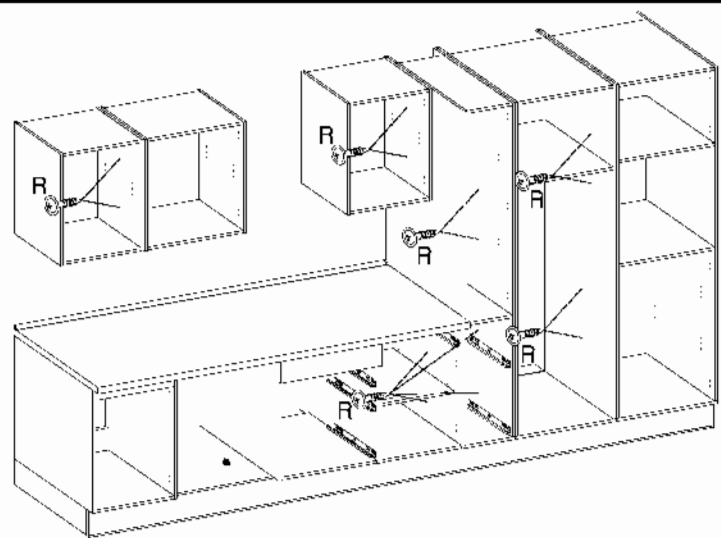


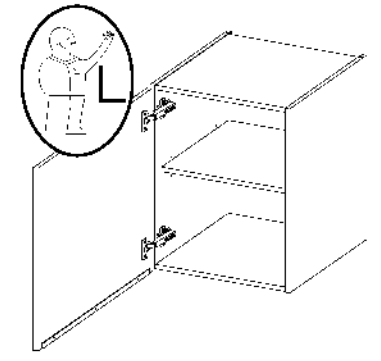
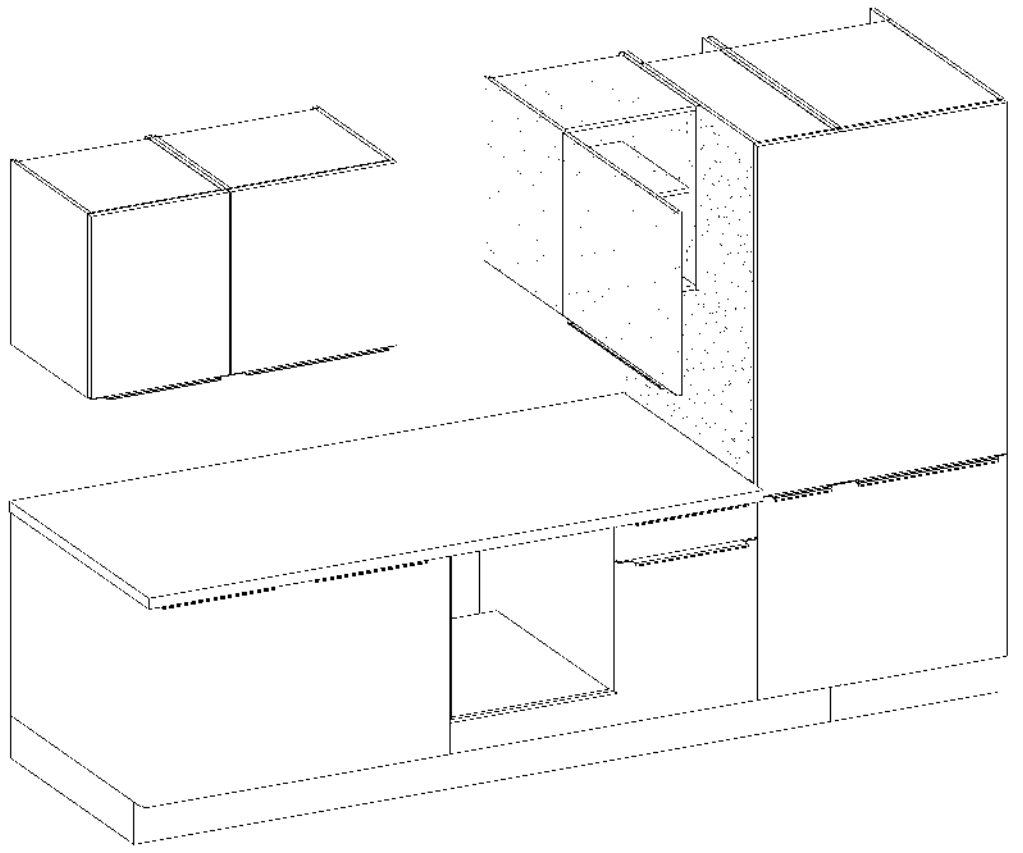
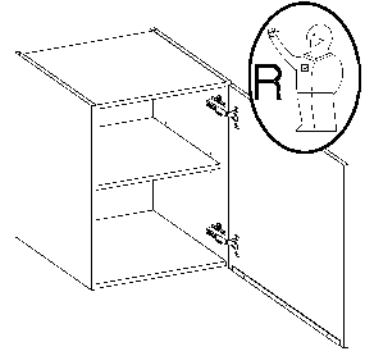
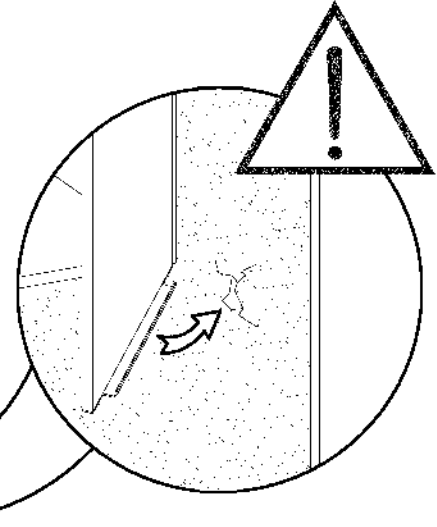
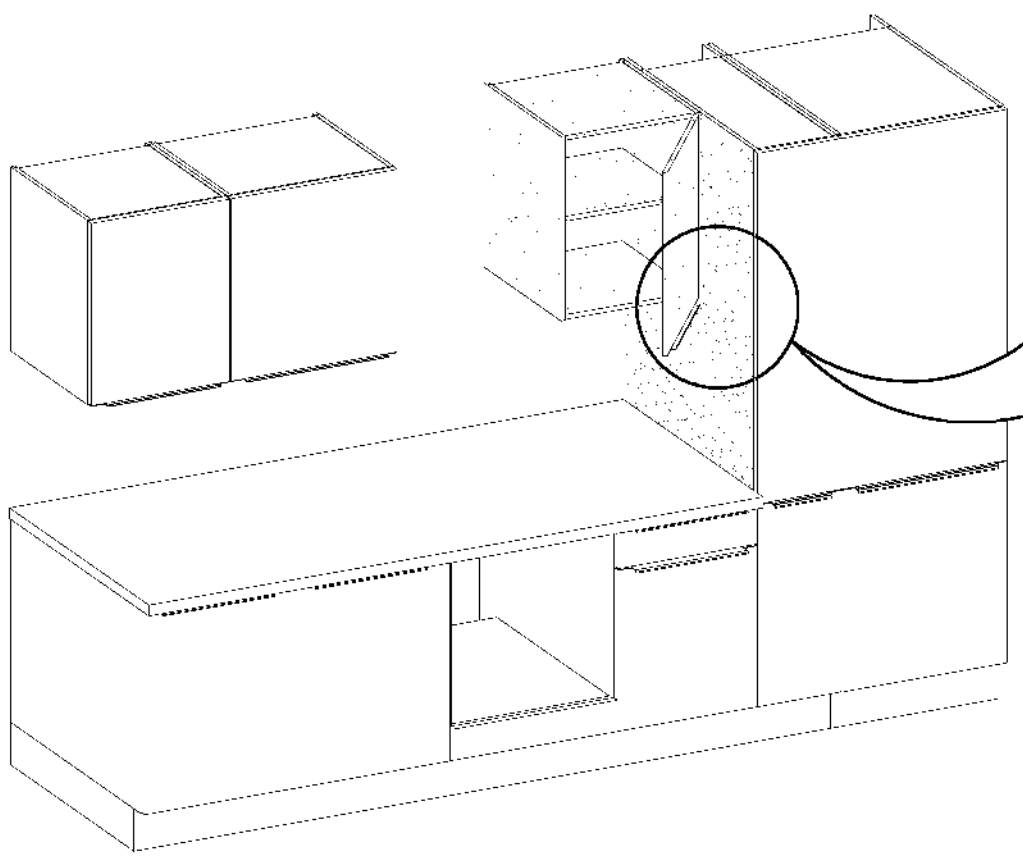
4.0x25mm

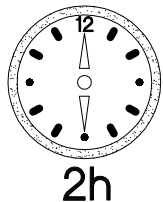
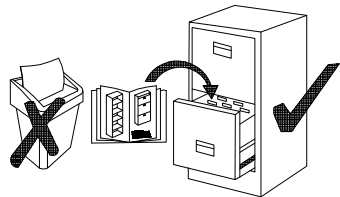
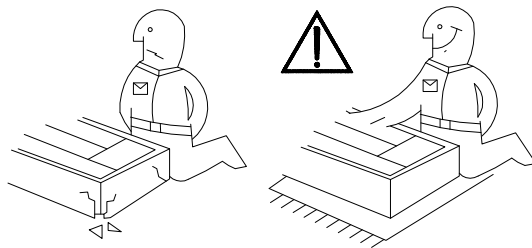
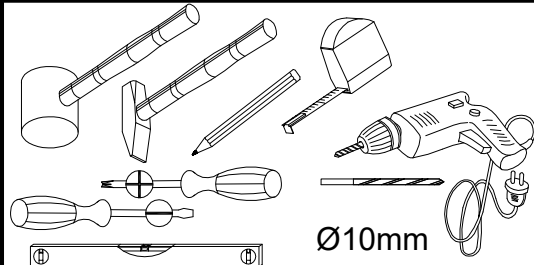
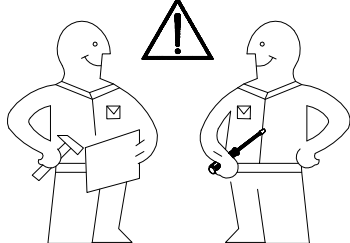


14

V 4

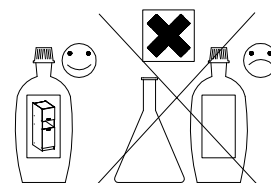
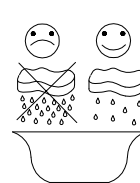




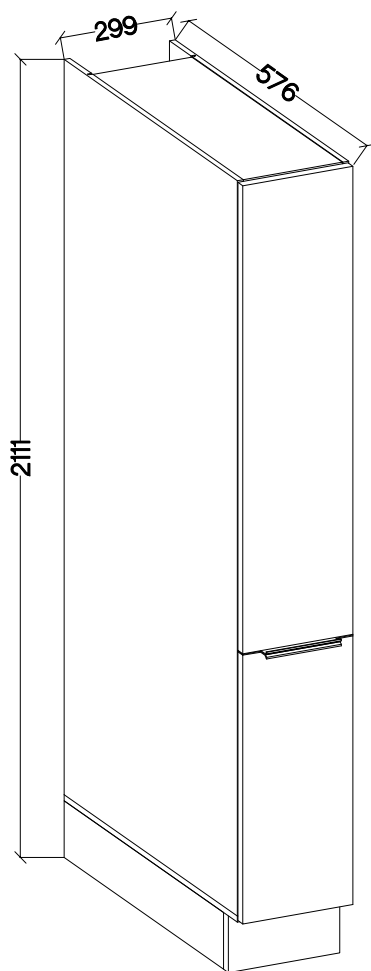


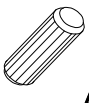



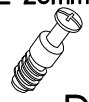

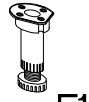

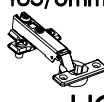
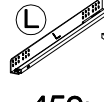
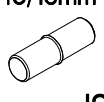
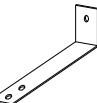

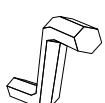





SAFADO / MARLEEN

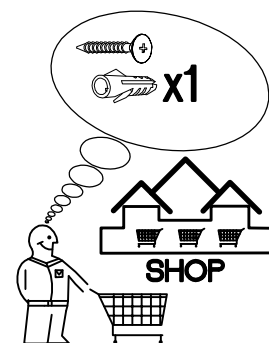
73-152-...
73-15B-...
73-15A-...



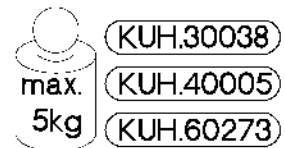
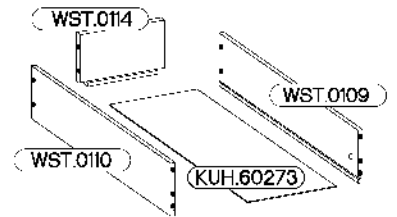
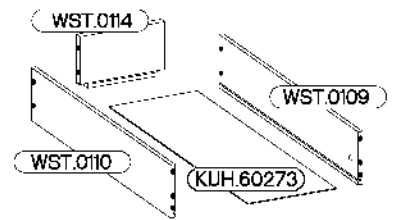
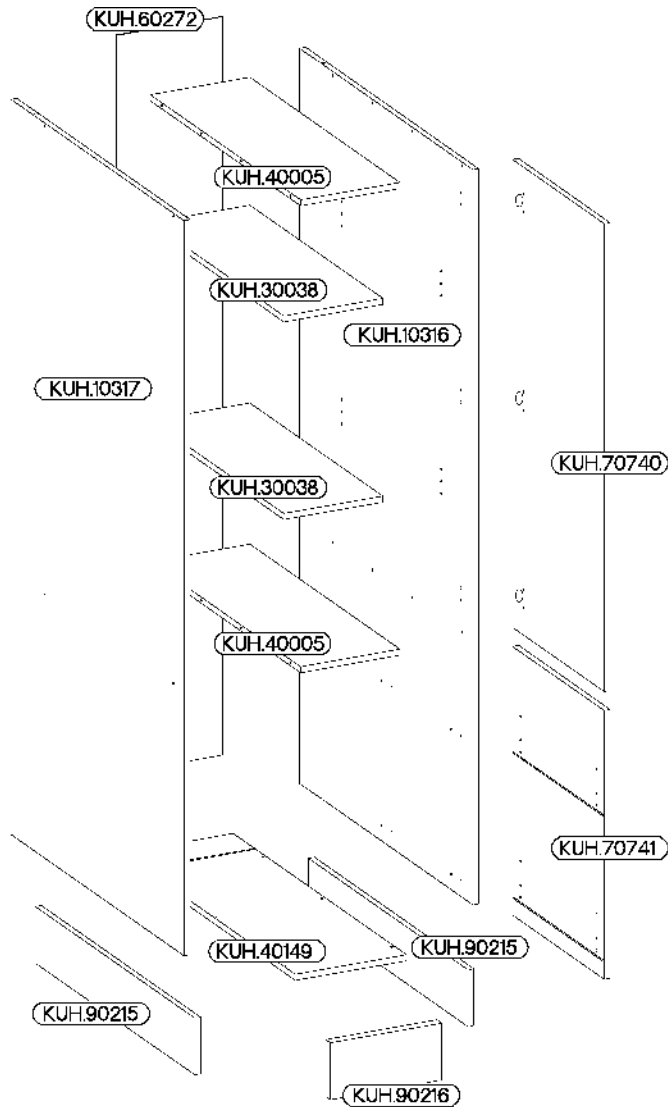
respekta®



| | | | | | | | | | | |
|---|---|--|---|---|---|---|---|--|---|---|
|  †8x30mm A 16 |  6,4 x 50mm B 14 |  †6x42mm B2 8 |  †12/10mm C5 4 |  L=20mm D2 4 |  E1 14 |  F15 4 |  F16 6 |  †35/0mm HG 3 |  L=450mm L11 2 |  †5/16mm J3 8 |
|  L25 1 |  †6.3x13mm M2 16 |  O 1 |  †3.5x13mm P5 36 |  †3.0x20mm P7 8-10 |  †3.0x16mm P11 6 |  †4.0x25mm R 4 |  L=295mm SL30 2 | | | |



ISM-KUH-01606



| Colli | Spare Part | Dimension |
|-------------|--------------|--------------|
| Colli 1/2 | KUH.40005 x2 | 267x485x16 |
| | KUH.40149 | 299x560x16 |
| | KUH.70740 | 1238x296x16 |
| | KUH.90215 x2 | 515x150x16 |
| | KUH.90216 | 299x150x16 |
| Colli 2/2 | KUH.10316 | 1945x560x16 |
| | KUH.10317 | 1945x560x16 |
| | KUH.30038 x2 | 266x430x16 |
| | KUH.60272 | 1953x285x2,5 |
| | KUH.60273 x2 | 448x237x2,5 |
| | KUH.70741 | 711x296x16 |
| | WST.0109 x2 | 450x140x12 |
| | WST.0110 x2 | 450x140x12 |
| WST.0114 x2 | 227x140x12 | |

+8x30mm

L

+6.3x13mm

R



A L=450mm

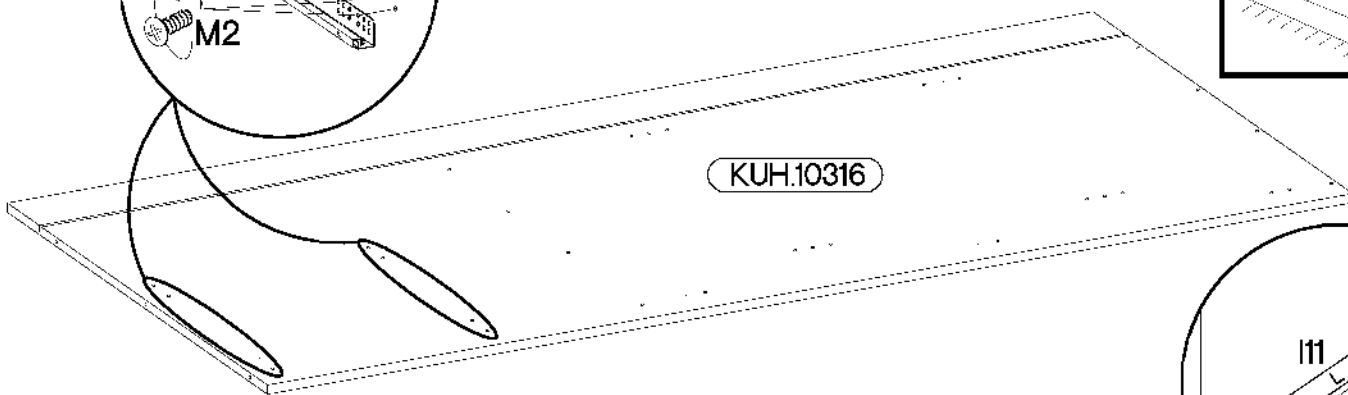
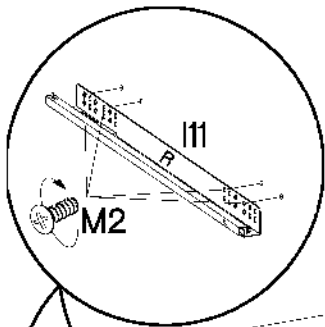
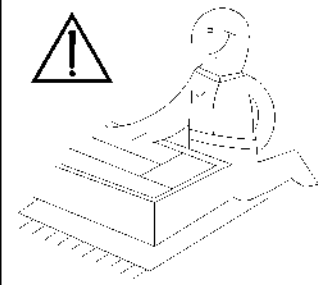
I11

M2

8

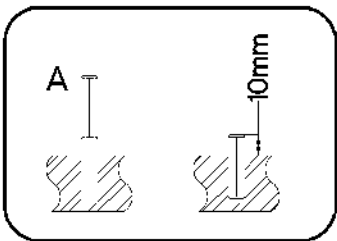
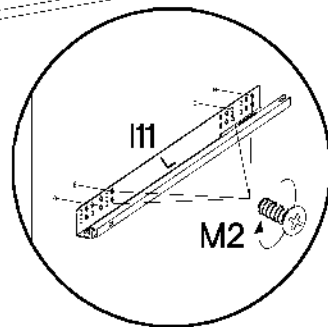
2

16



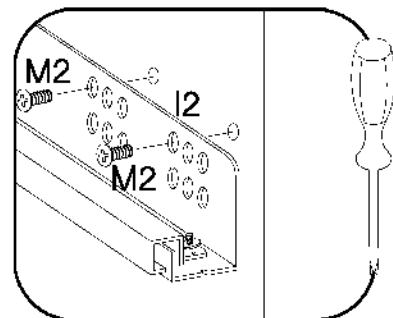
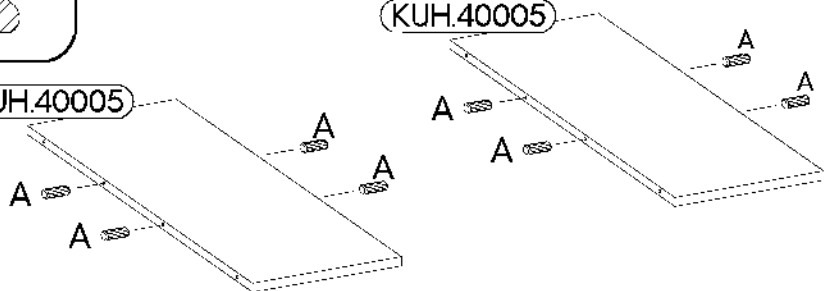
KUH.10316

KUH.10317

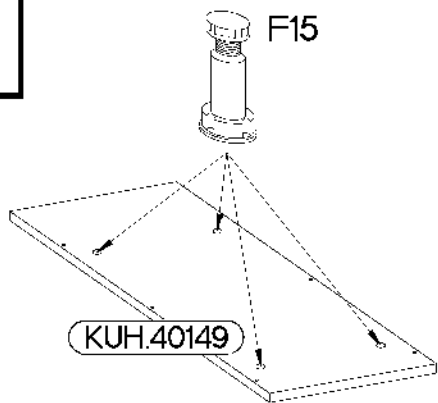


KUH.40005

KUH.40005



2



KUH.40149

+3.5x13mm

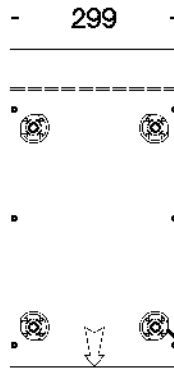


P5

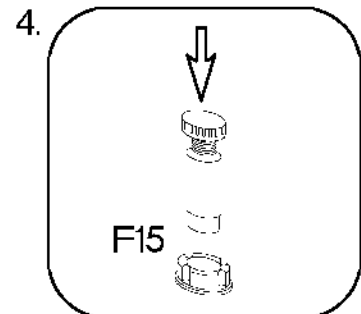
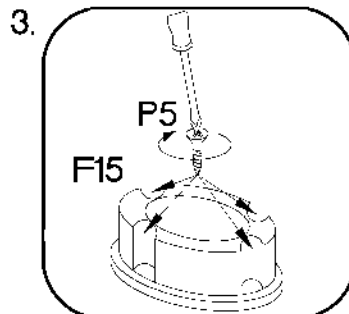
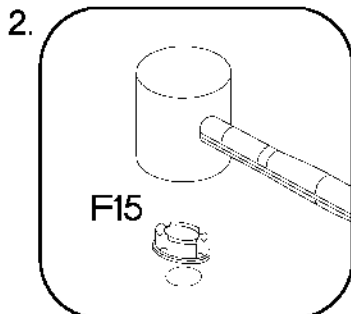
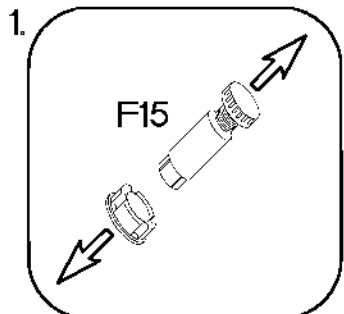
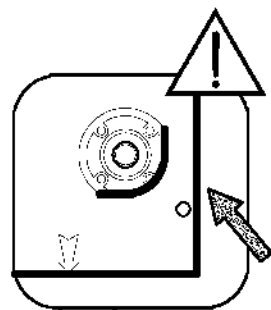
F15

16

4



299



6,4 x 50mm



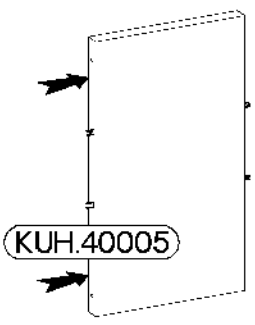
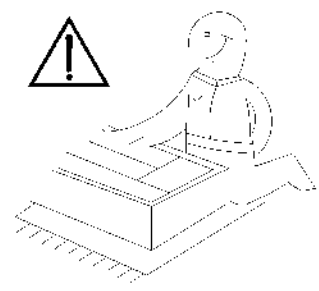
2 B



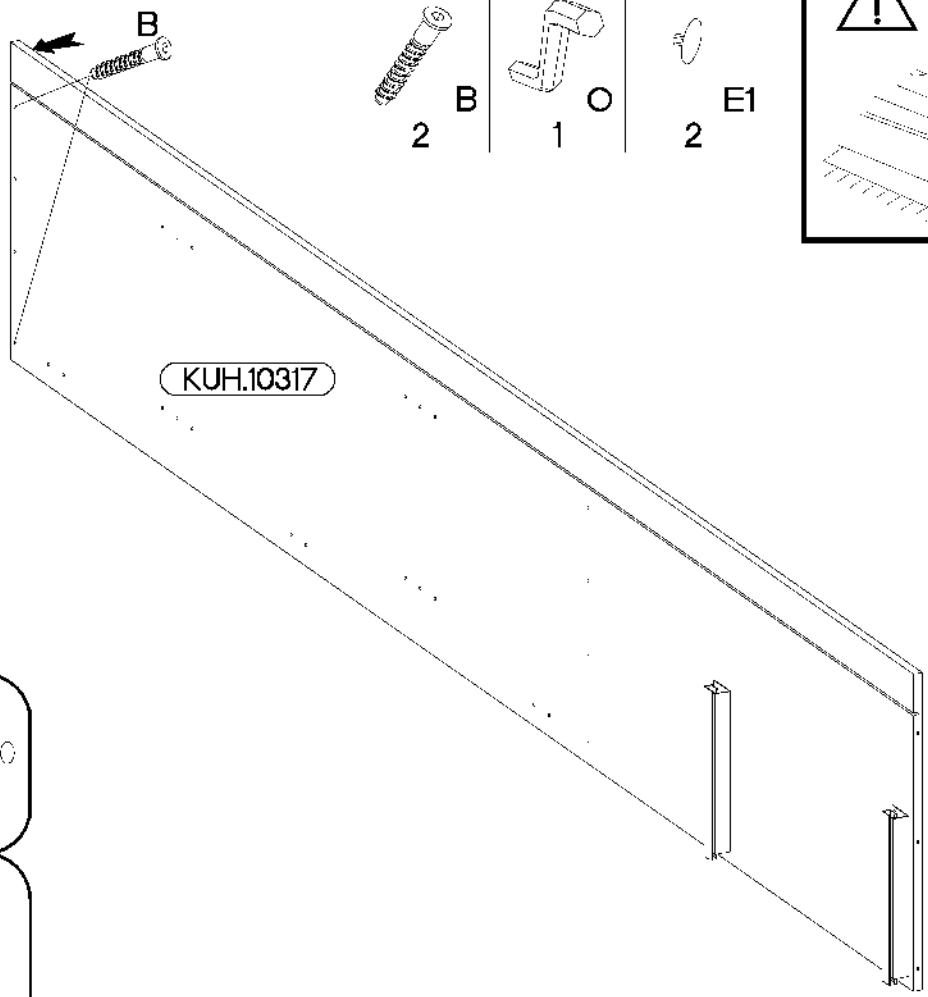
1 O



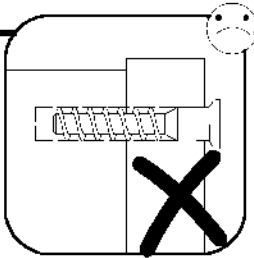
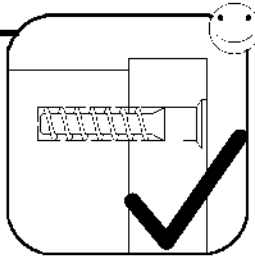
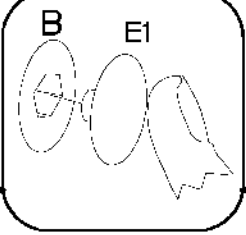
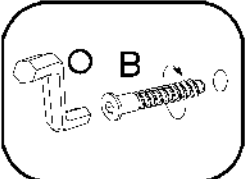
2 E1



KUH.40005



KUH.10317



KUH.40005

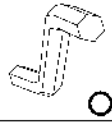
KUH.10317

KUH.40005

6,4 x 50mm



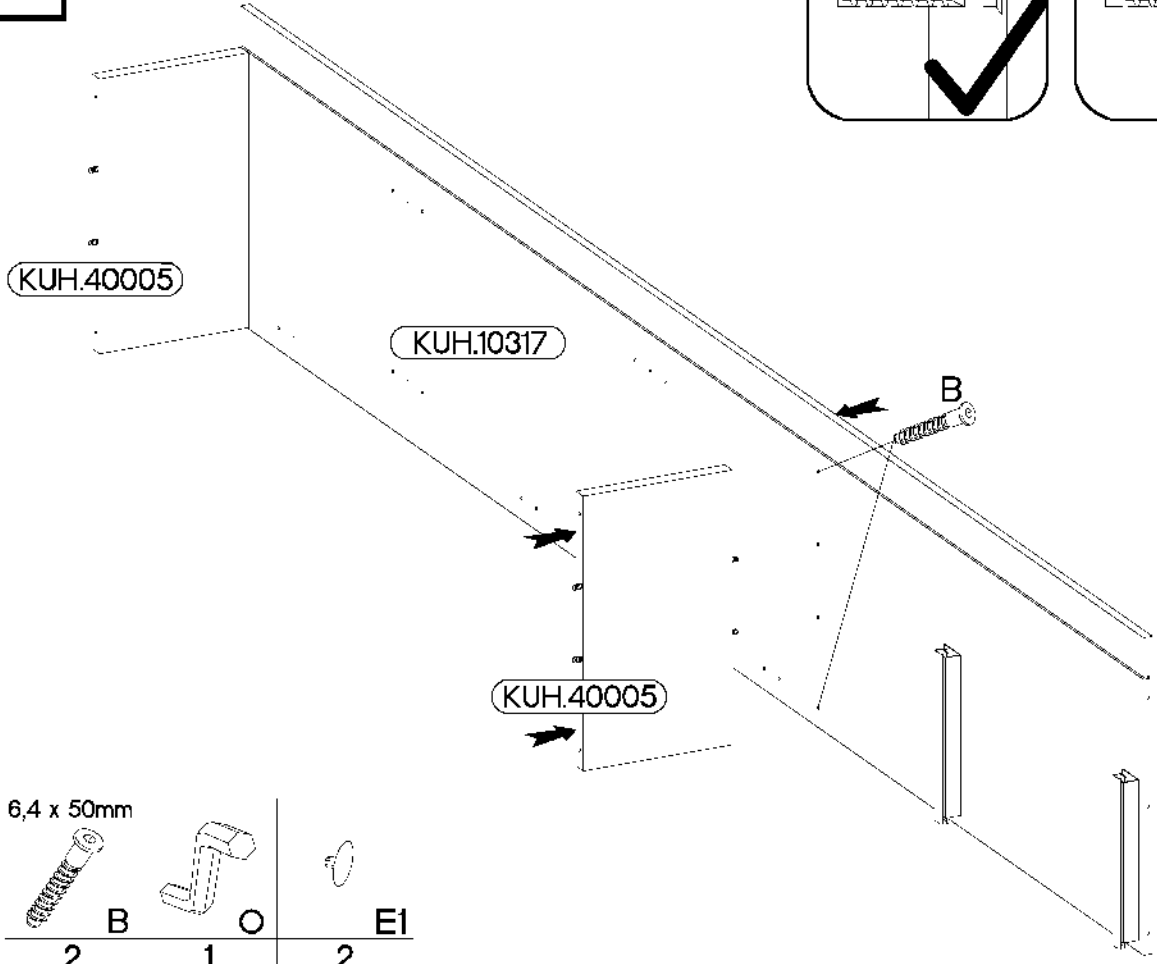
2 B



1 O

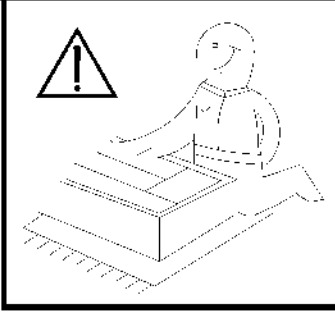
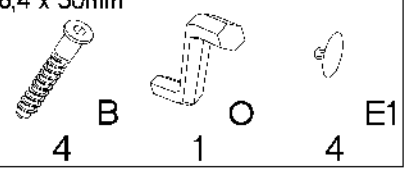


2 E1

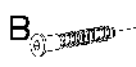




6,4 x 50mm



KUH.40005

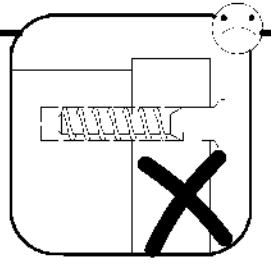
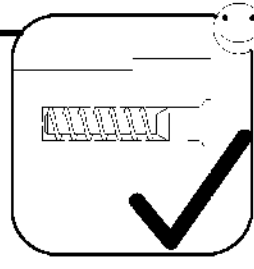
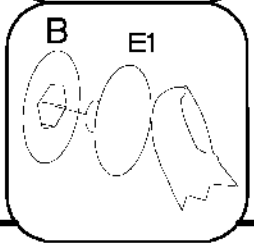
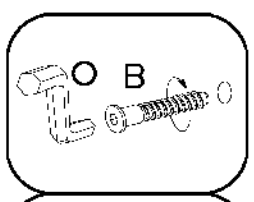


KUH.10317

KUH.10316



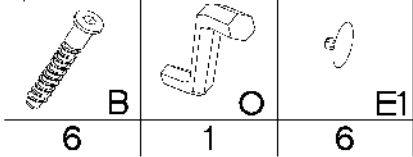
KUH.40005



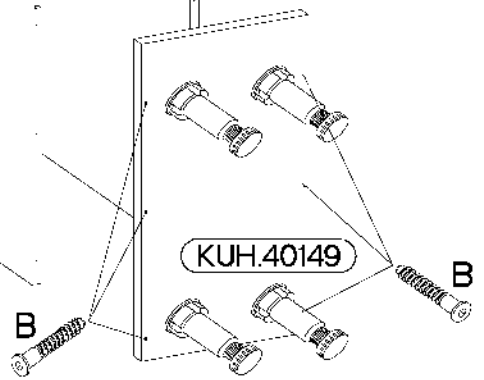
KUH.10317

KUH.10316

6,4 x 50mm



KUH.40149



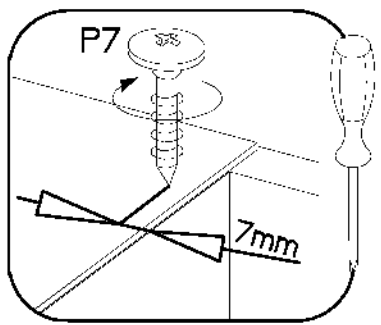
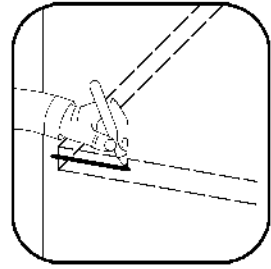
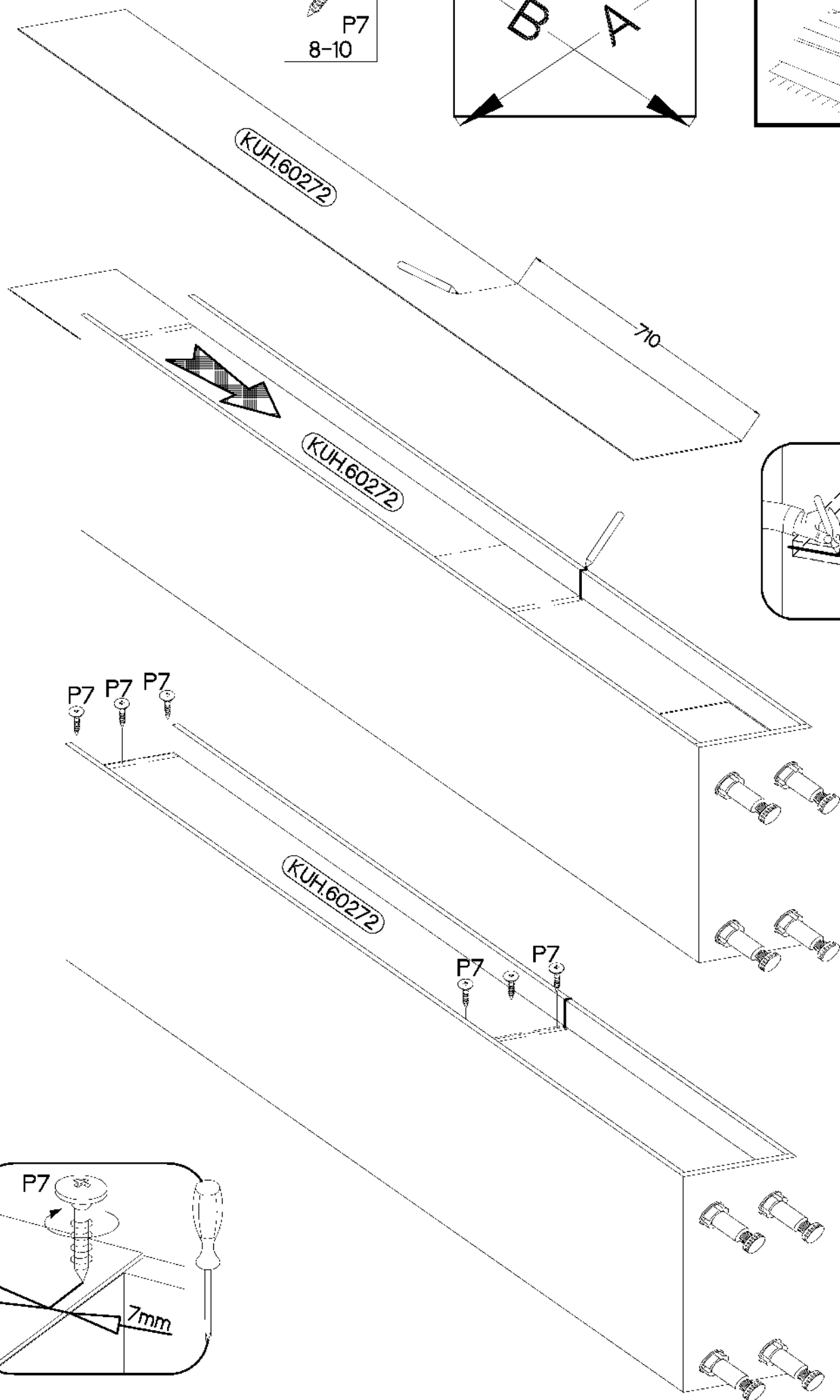
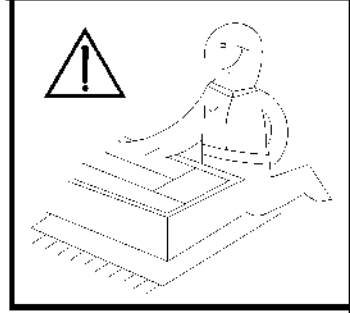
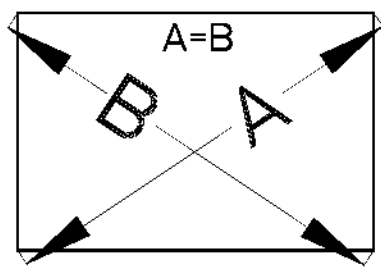


±3.0x20mm



P7

8-10



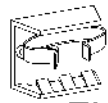


±3.5x13mm



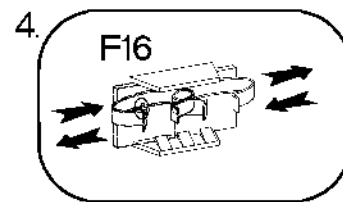
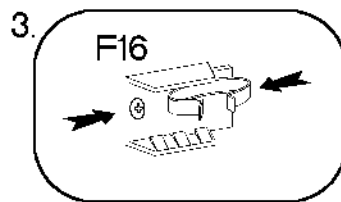
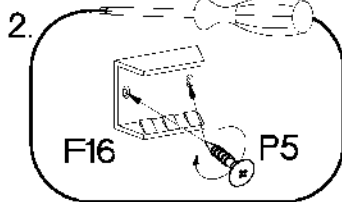
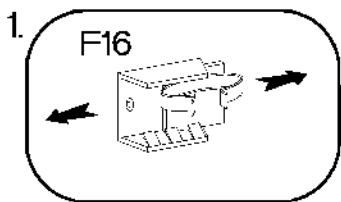
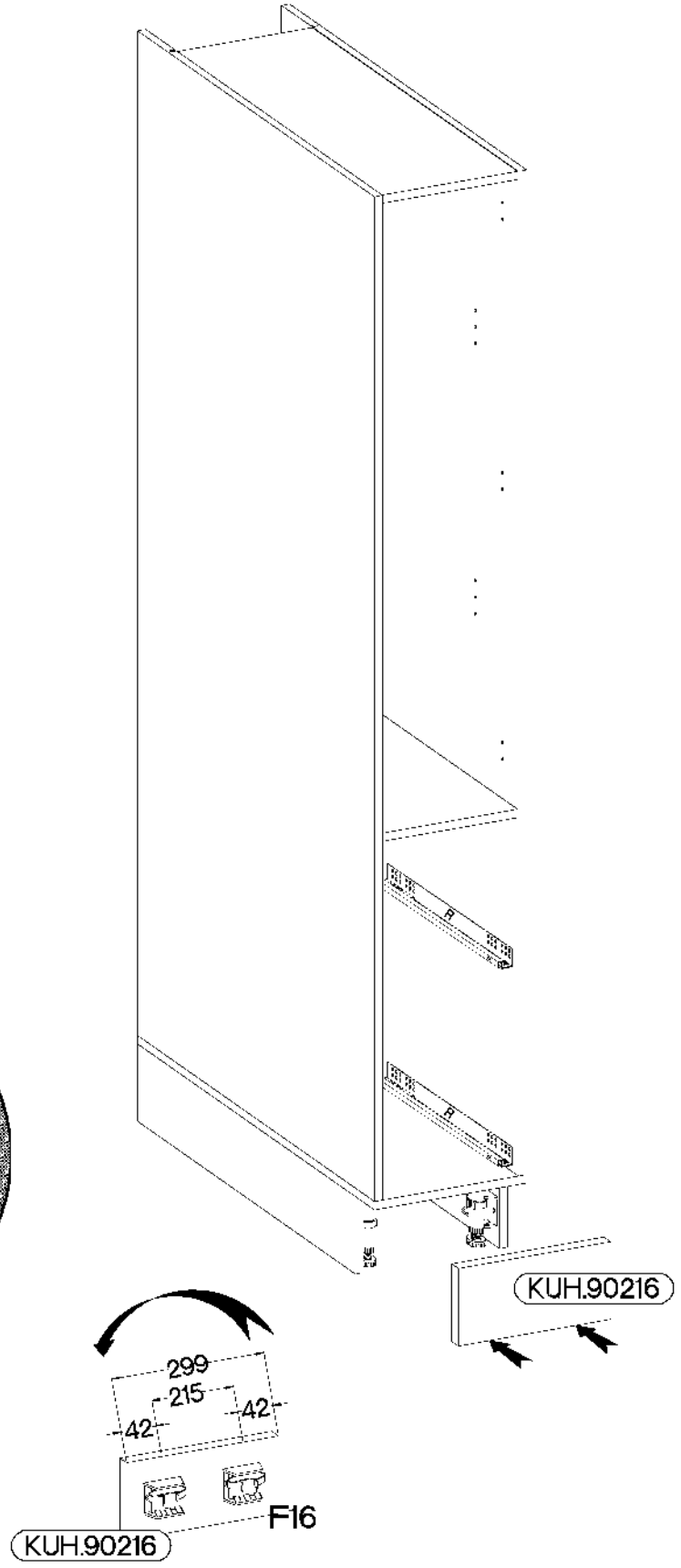
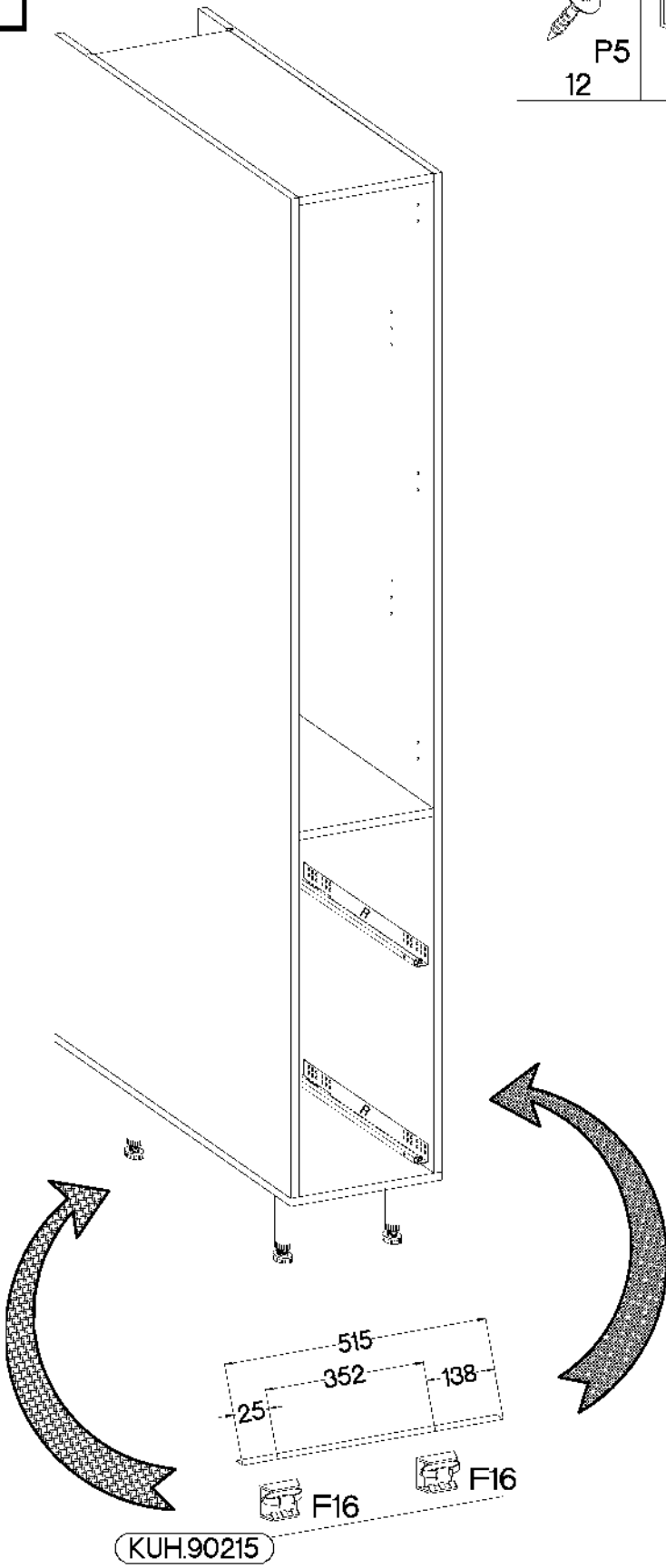
P5

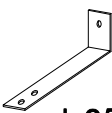

12



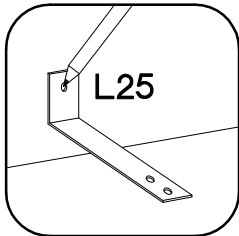
F16

6

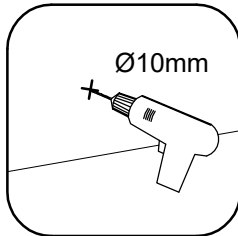


| | |
|--|--|
|  |  |
| L25 | P5 |
| 1 | 2 |

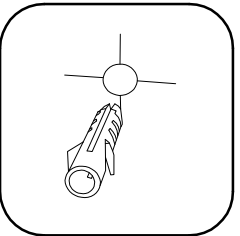
1.



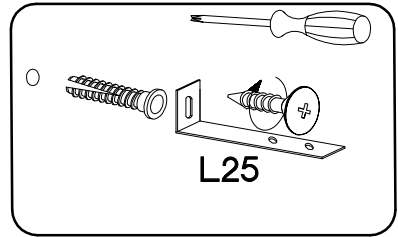
2.



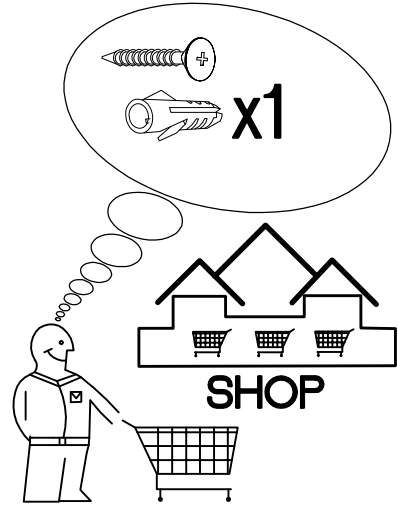
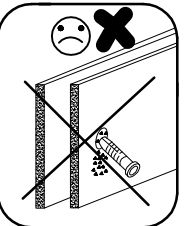
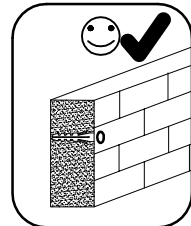
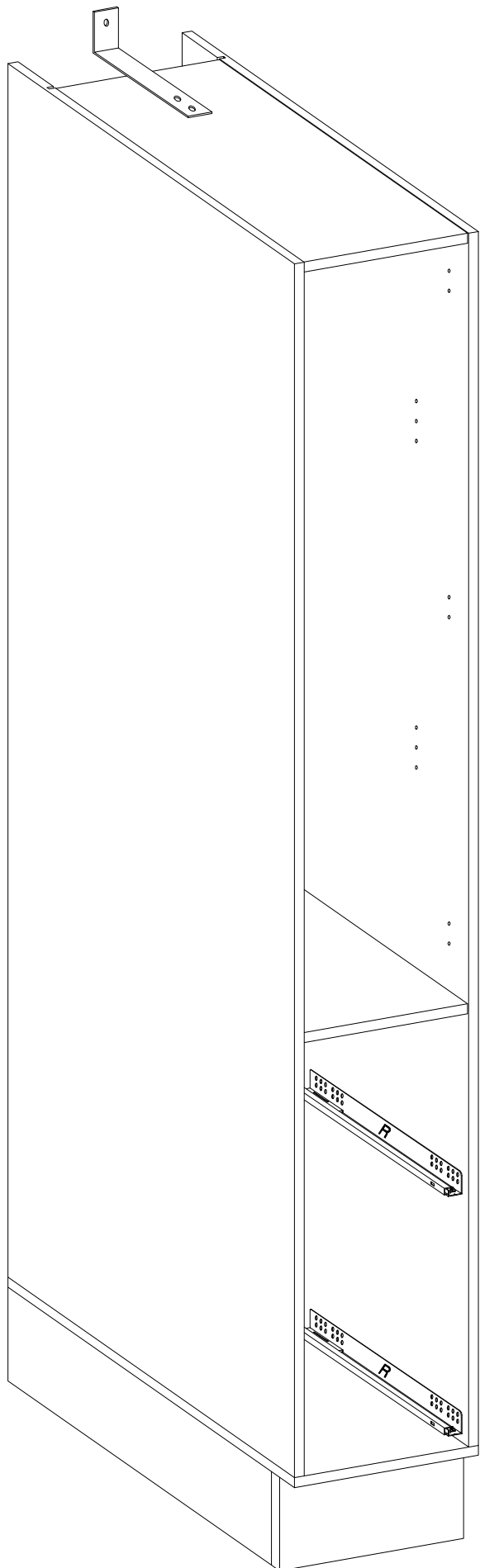
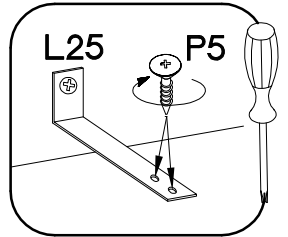
3.



4.



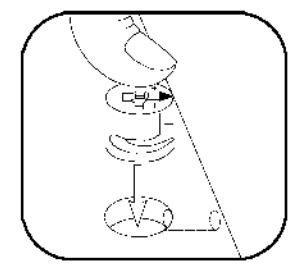
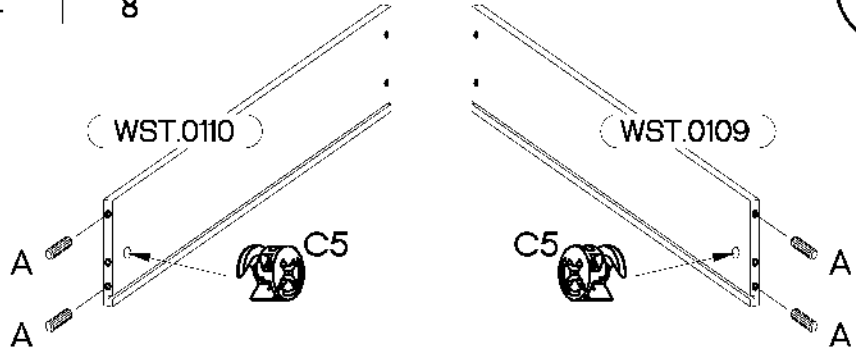
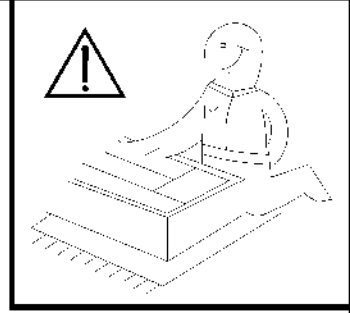
5.



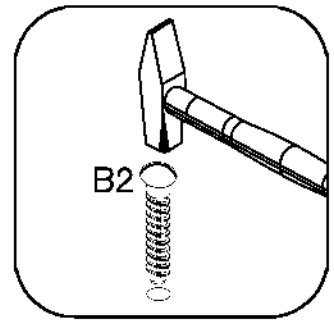
10

- #12/10mm C5 4
- #8x30mm A 8

x2

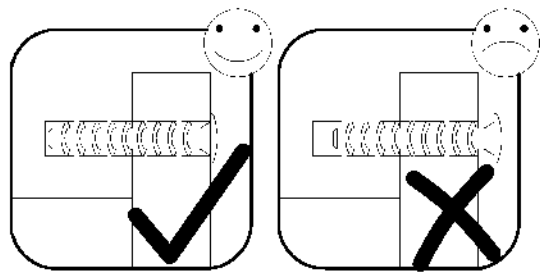
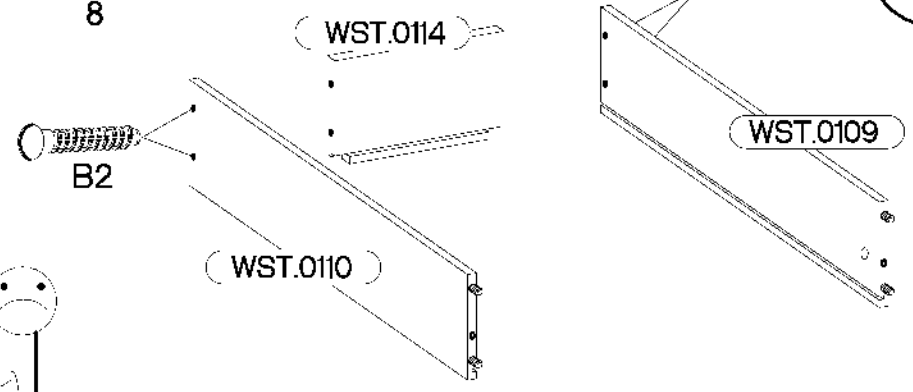


1



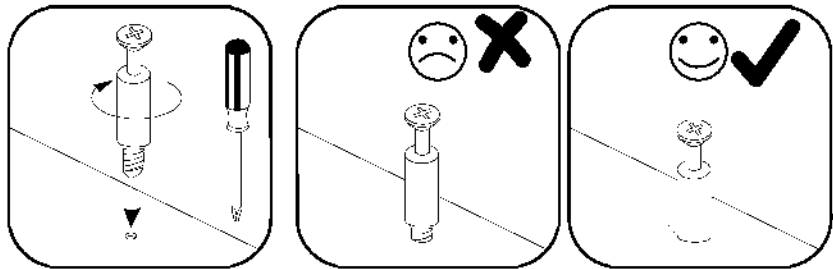
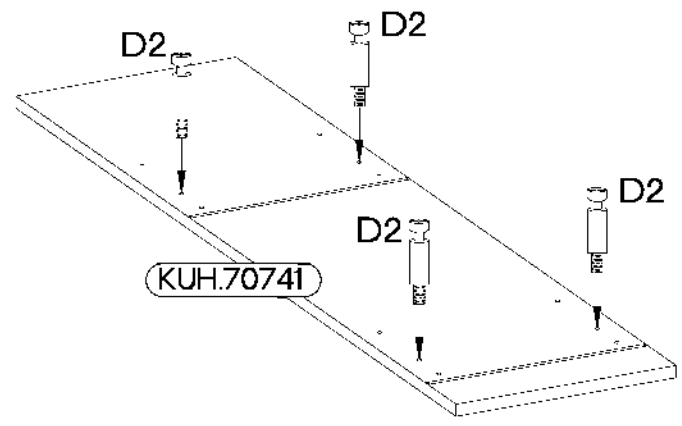
- #6x42mm B2 8

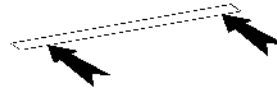
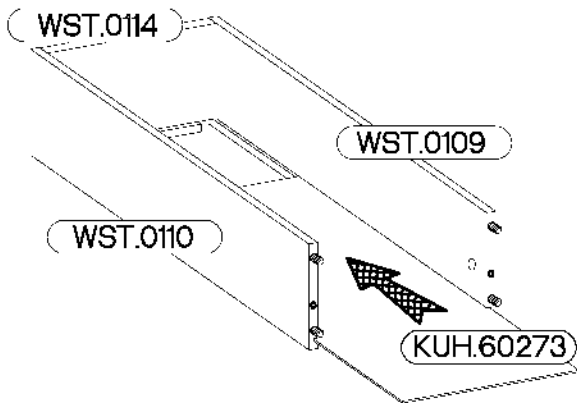
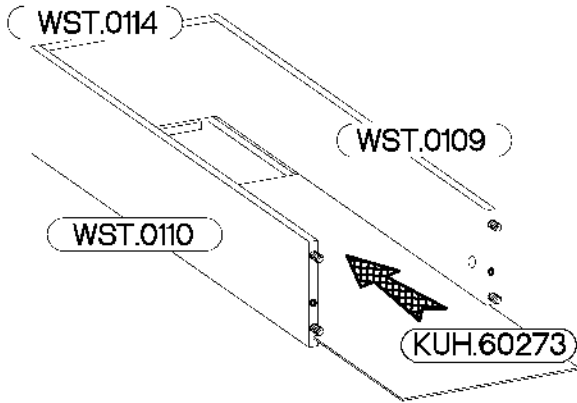
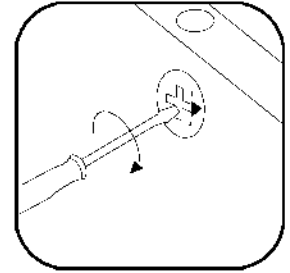
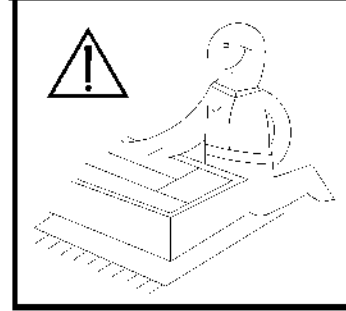
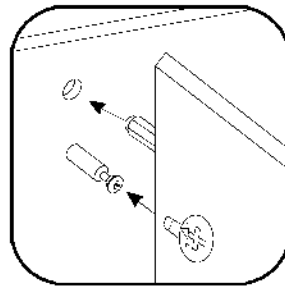
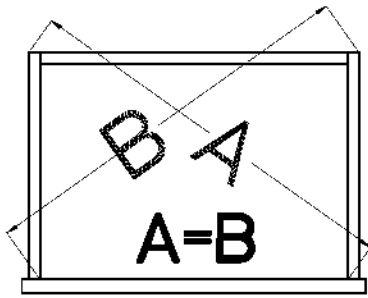
x2



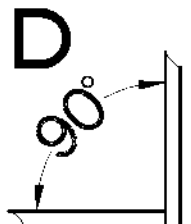
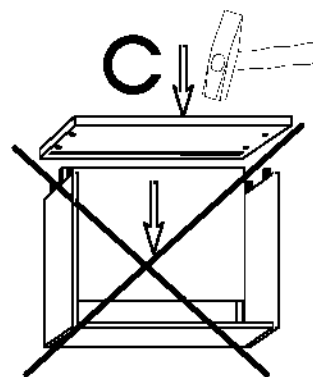
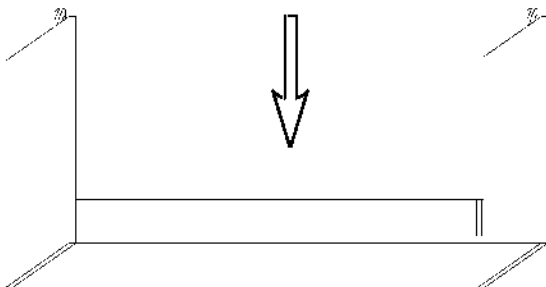
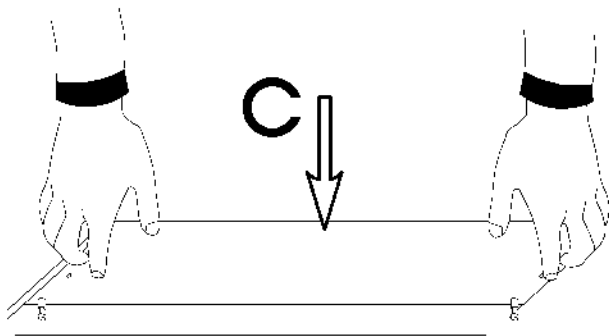
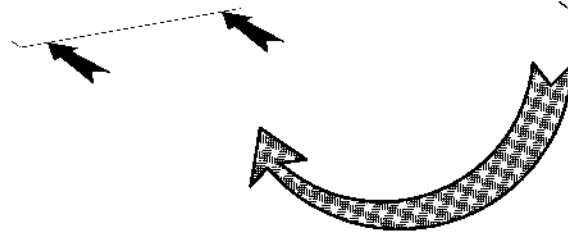
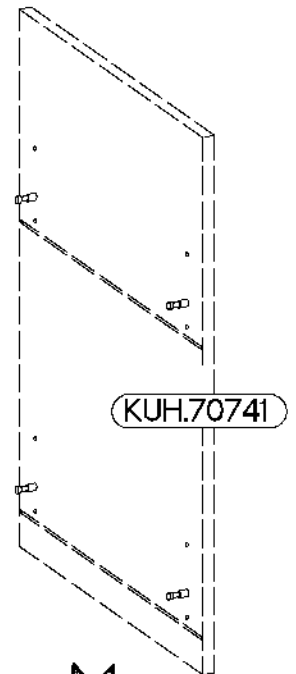
2

- L=20mm D2 4

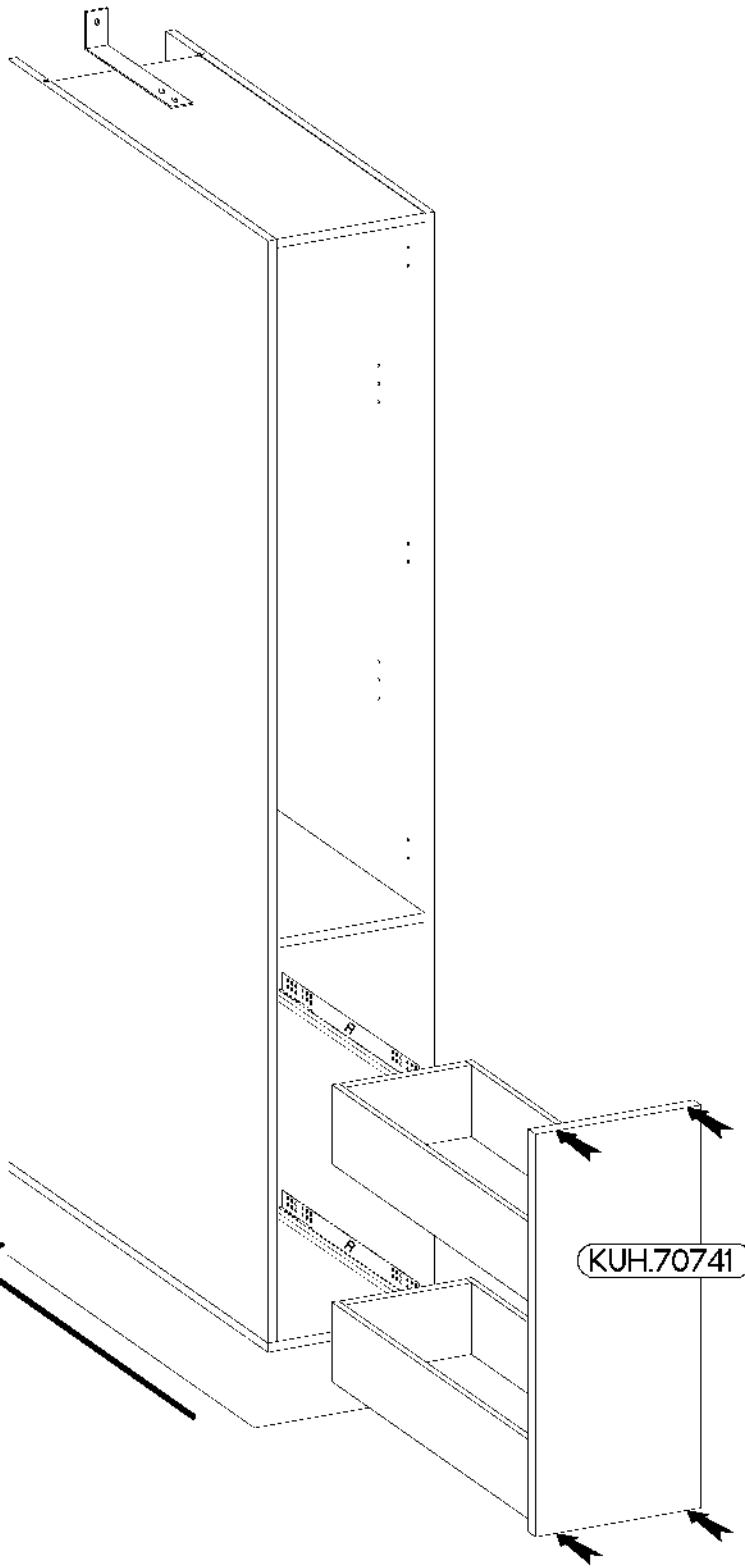




(KUH.70741)

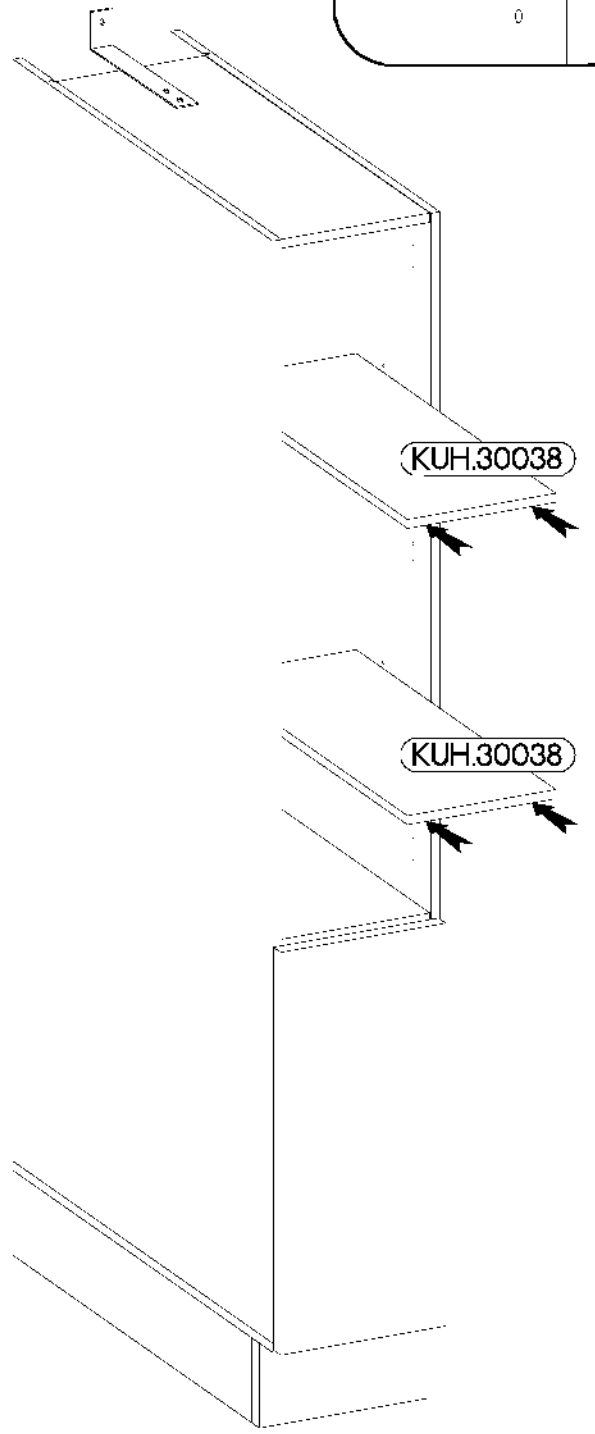
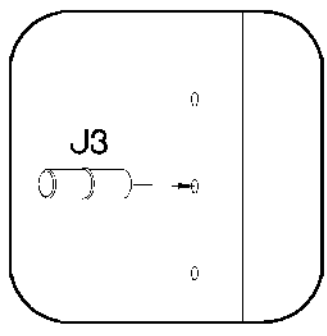


14

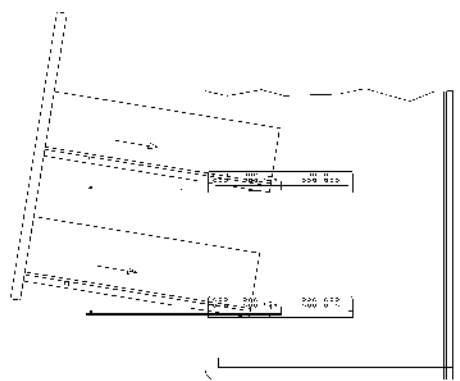


15

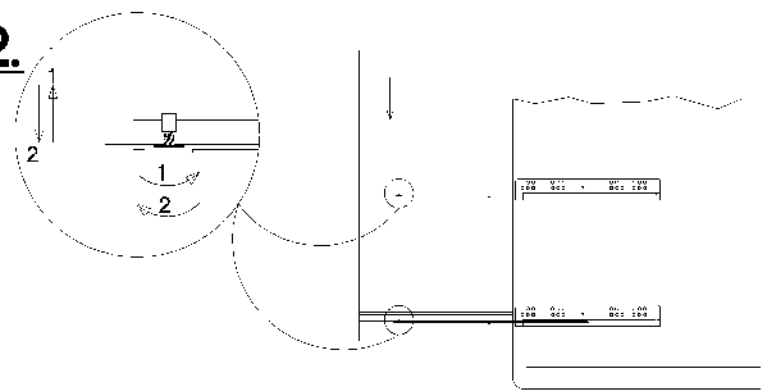
±5/16mm
J3
8





1.

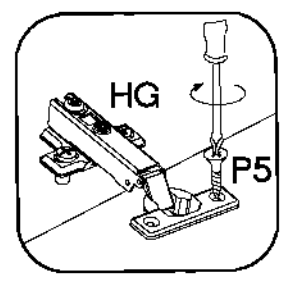
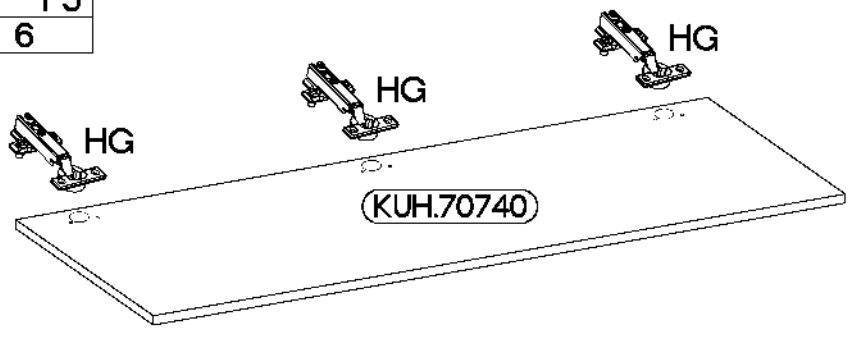


2.

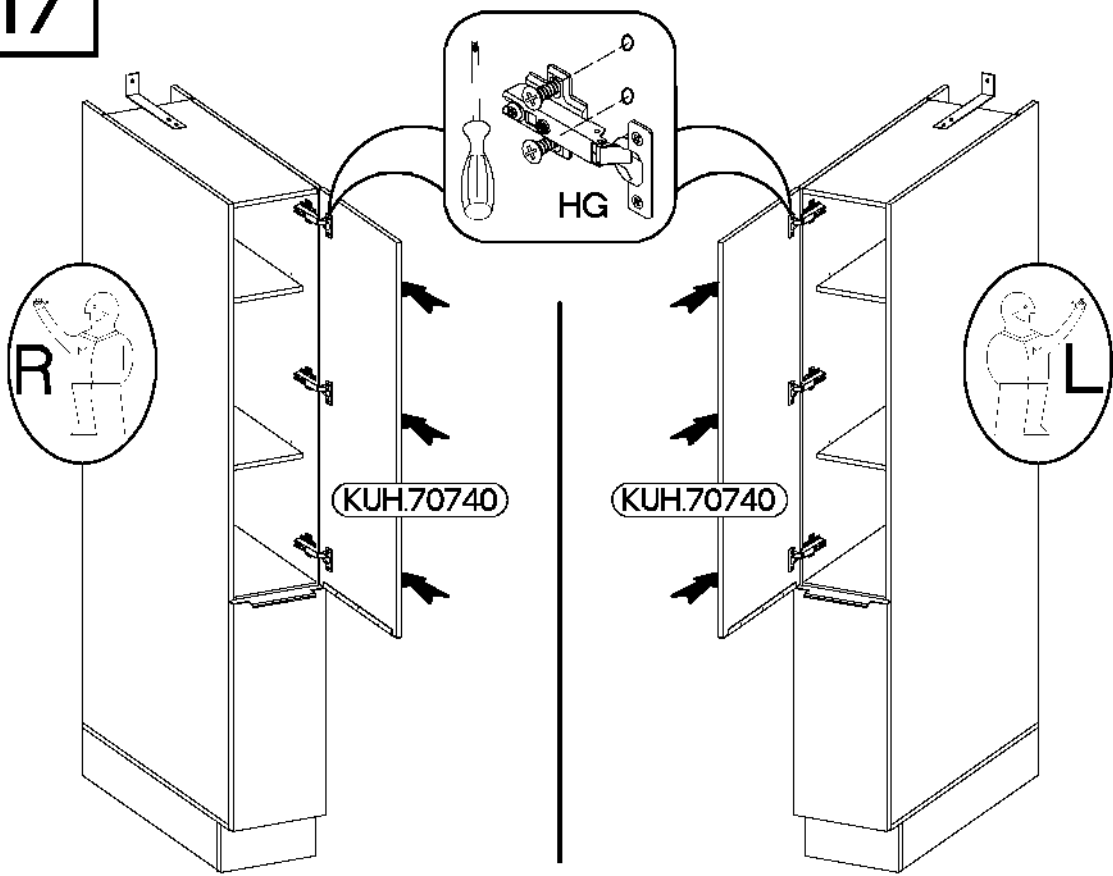




16

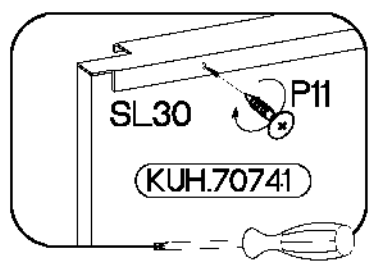
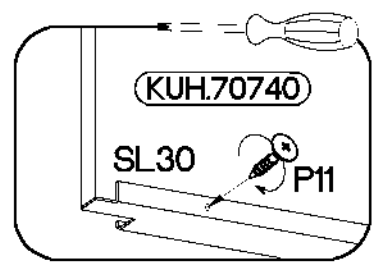
| | |
|--|--|
|  <p>HG 3</p> |  <p>P5 6</p> |
|--|--|



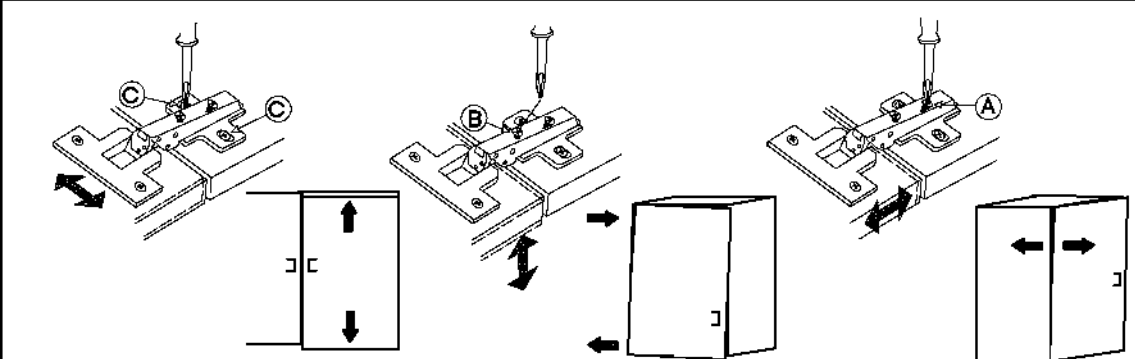
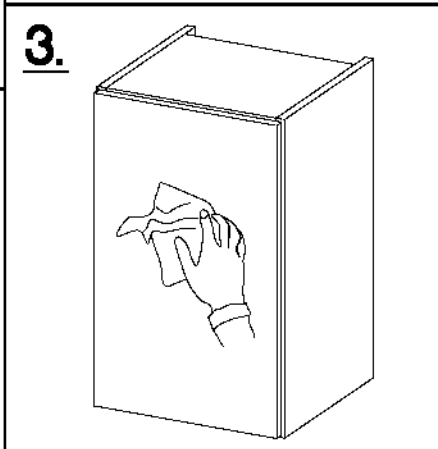
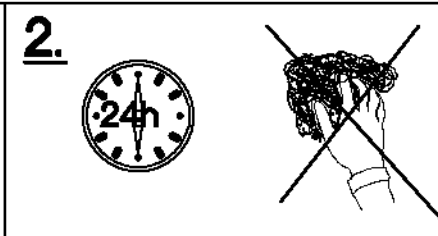
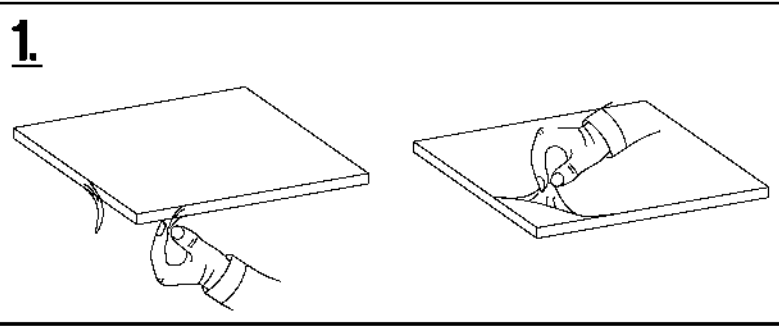
17



| | |
|--|---|
|  <p>P11 6</p> |  <p>L=295mm SL30 2</p> |
|--|---|



VARIANT HIGH GLOSS



| | |
|---|---|
| Marke | Respekta |
| Hersteller und verantwortliche Person mit Adresse | NEG Novex Großhandelsgesellschaft für Elektro- und Haustechnik GmbH Chenover Straße 5 67117 Limburgerhof Deutschland info@neg-novex.de www.respekta.de |